

NEW IT Series



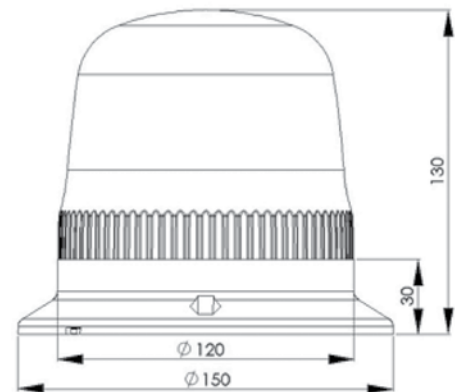
Beacon

General Specification;

- Fireproof plastic body
- Polycarbonate lens
- Base and wall-mount
- It is unaffected by water, dust, heat and UV rays.
- Wear-free thanks to the absence of any moving mechanical components
- Long life
- 8 Different signal effect

Technical Specification;

- Operating Voltage: 12-24V AC/DC, 220V AC
- Current consumption: 3,4W
(at 24 V DC by rotating mode)
- Operating temperature: -20 / +50 C°
- Storage temperature: -20 / +70 C°



MODE name	1	2	3	4
Rotation 100 RPM	↑	↑	↑	X
One Flash	↑	↑	↓	X
Three Flash	↑	↓	↑	X
Six Flash	↑	↓	↓	X
Blink	↓	↑	↑	X
Continuous Flash*	↓	↑	↓	X
Right-Left Flash	↓	↓	↑	X
Rotation 160 RPM	↓	↓	↓	X

X = Don't ignore

↑ = Up

↓ = Down

* In 220V AC models, this mode is off



Code	Light	Colour	Voltage
IT120R024	Led	●	12-24V AC/DC
IT120Y024	Led	●	12-24V AC/DC
IT120R220	Led	●	220V AC
IT120Y220	Led	●	220V AC