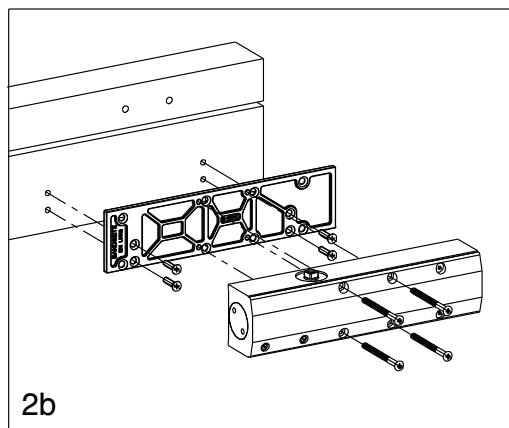
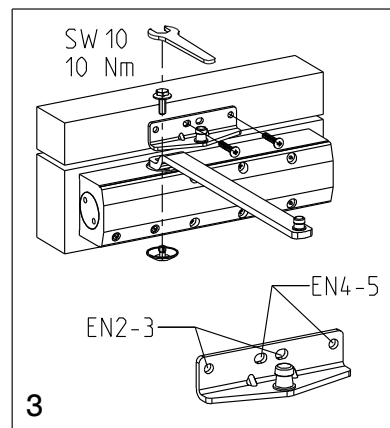


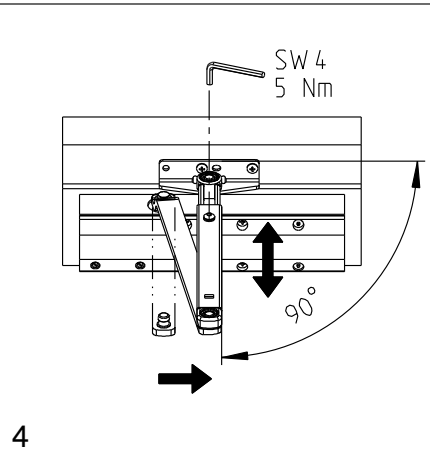
2a



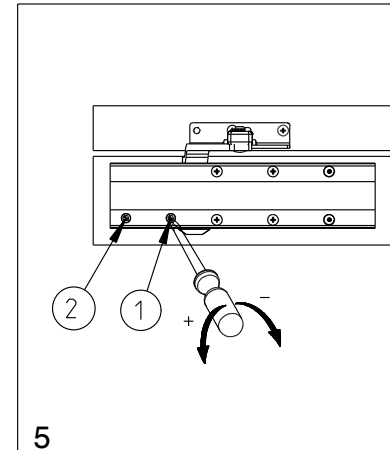
2b



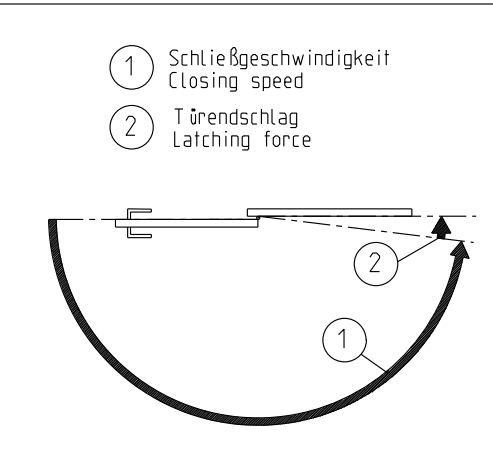
3



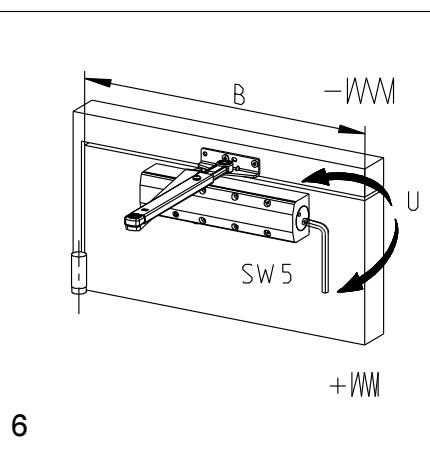
4



5

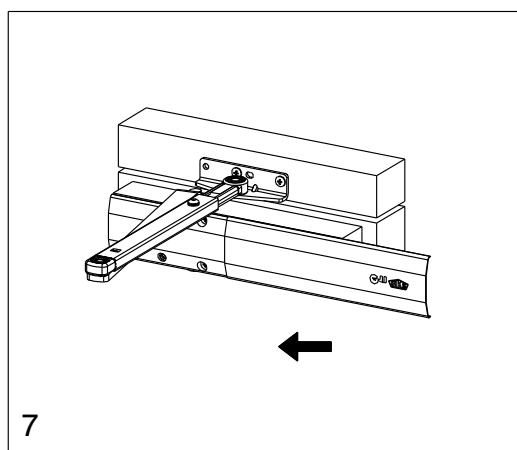


Proprietary rights apply in accordance with ISO 16016.



6

Schließkraft closing force		
EN	≤ B	U
2	850mm	0
3	950mm	+ 6
4	1100mm	+ 6
5	1250mm	+16



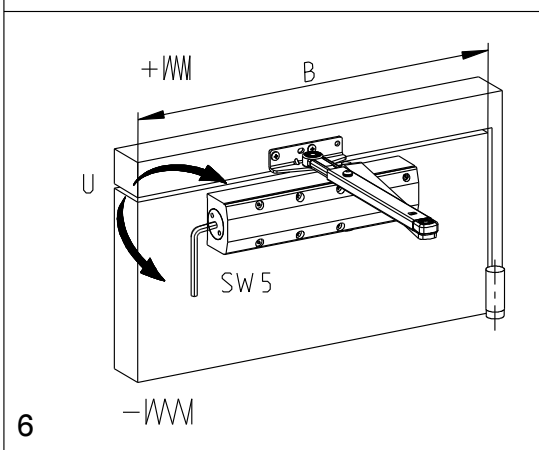
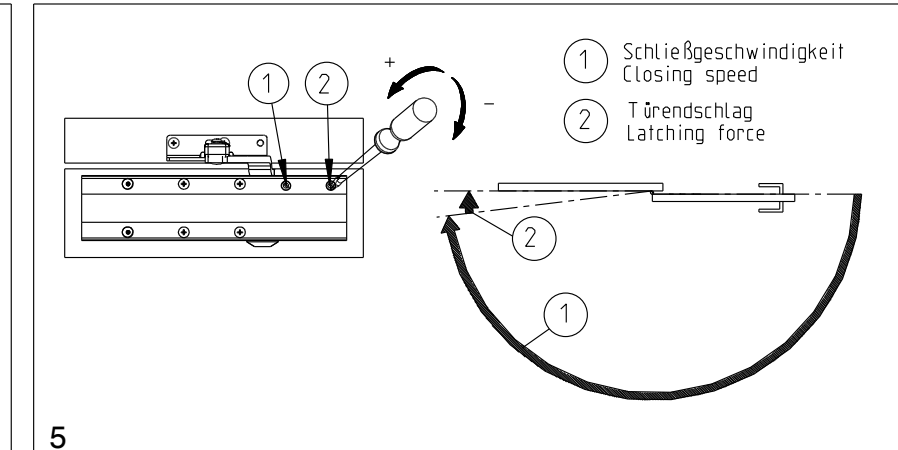
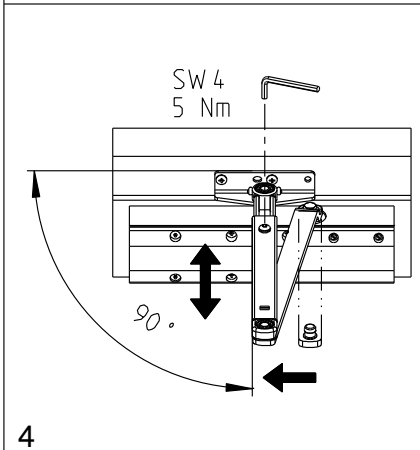
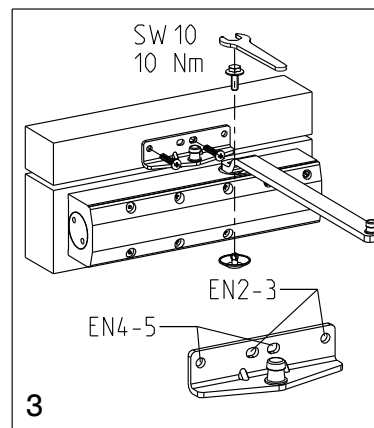
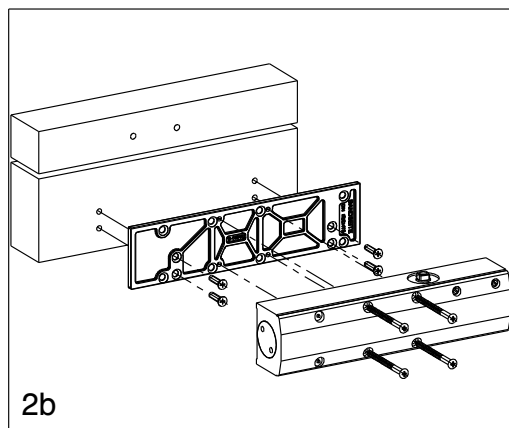
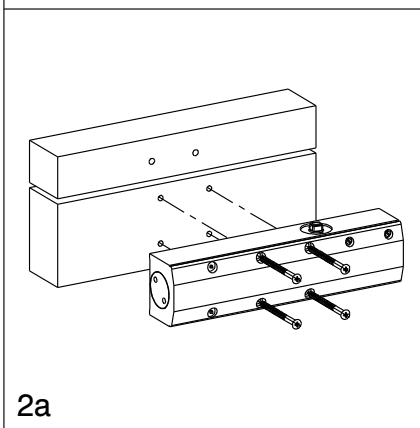
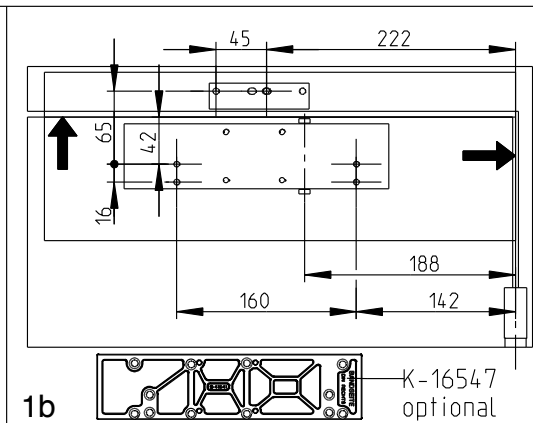
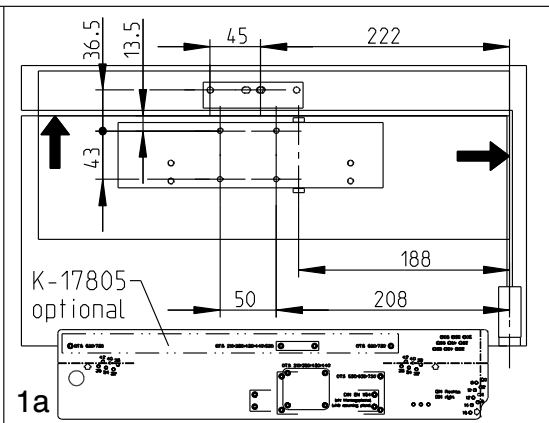
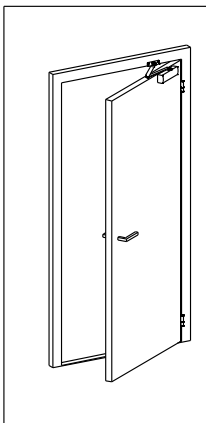
7

Montageanleitung / assembly instructions  
20120125

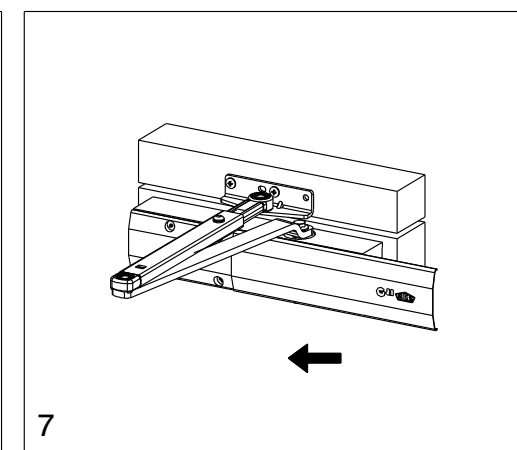
Description  
**OTS 430 Normalmontage Bandseite, DIN links K-17051/ K-17983**

**OTS 430 standard mounting on hinge side, DIN left K-17051/K-17983**

	Release No.	Level	Released		Scale	Modification	Size
	Mod. No. G25944	Ver.	-	Si			
	Replacement for M-00097, M-00112	Draft	17.02.2010	Se		Drawing No. <b>0-45360-PF-0-0</b>	Sheet 1/4



Schließkraft-closing force		
EN	≤ B	U
2	850mm	0
3	950mm	+ 6
4	1100mm	+ 6
5	1250mm	+16

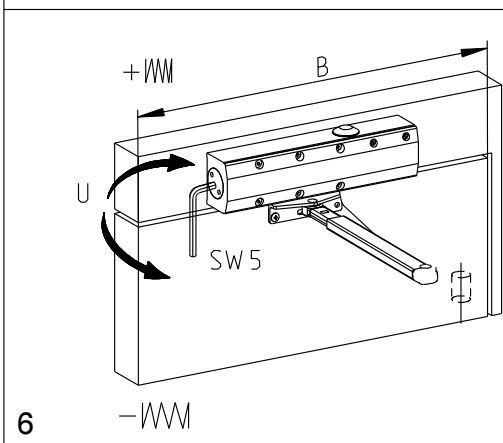
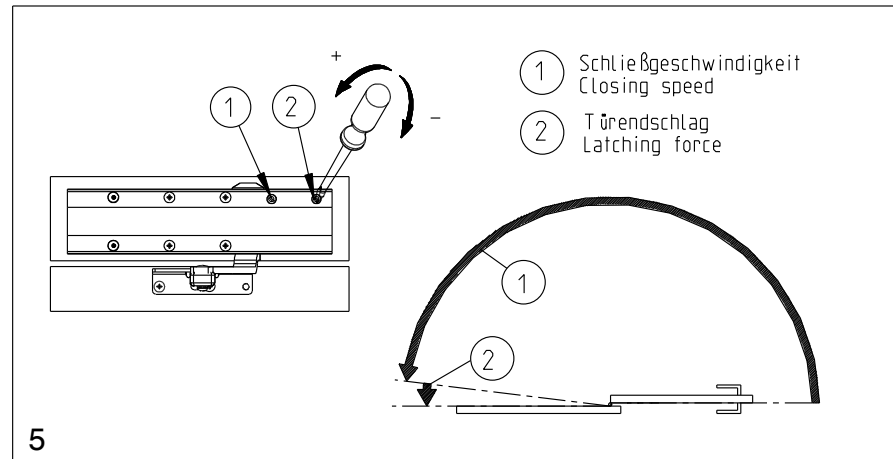
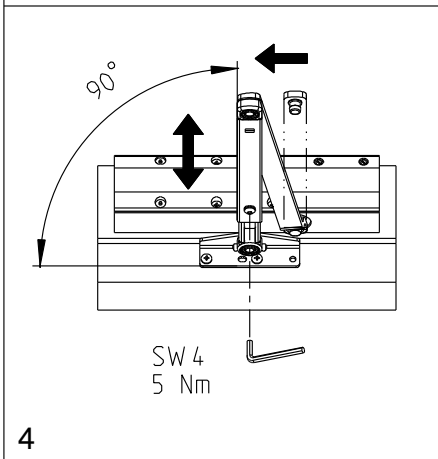
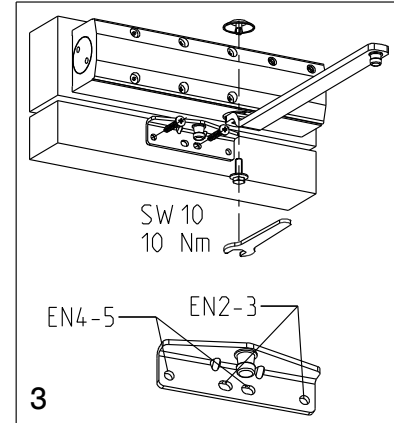
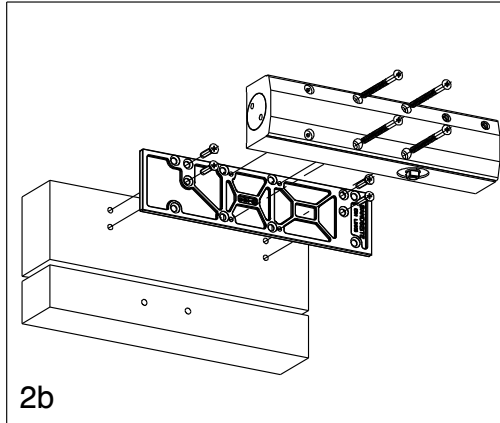
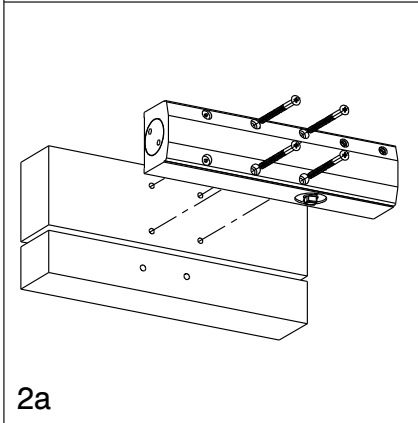
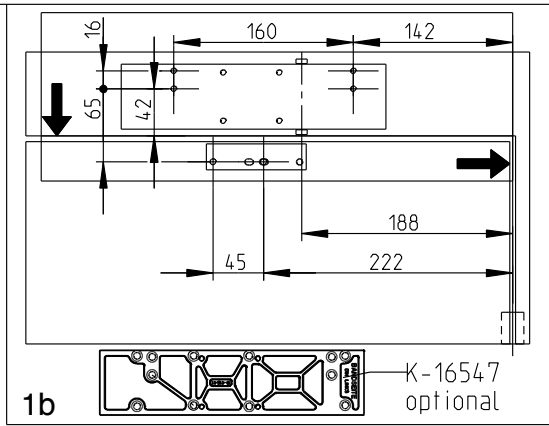
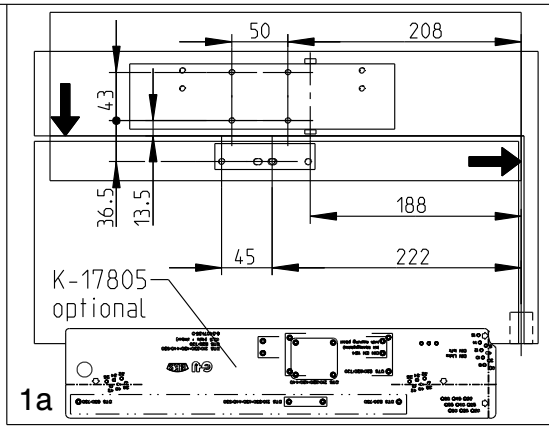
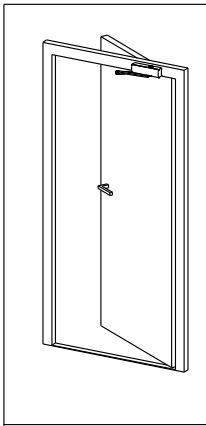


Montageanleitung / assembly instructions  
20120125

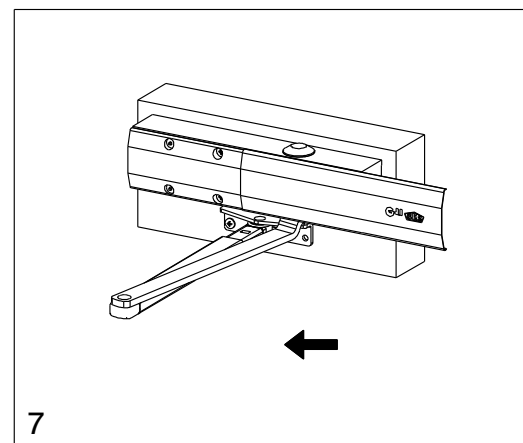
Proprietary rights apply in accordance with ISO 16016.

Description  
**OTS 430 Normalmontage Bandseite, DIN rechts K-17051/K-17983**  
**OTS 430 standard mounting on hinge side, DIN right K-17051/K-17983**

	Release No.	Level	Released		Scale	Modification	Size
	--	Ver.	--	Si			
	Mod. No. G25944	Draft	17.02.10	Se		Drawing No. <b>0-45360-PF-0-0</b>	Sheet 2/4
Replacement for M-00097, M-00112							



Schließkraft closing force		
EN	≤ B	U
2	850mm	0
3	950mm	+ 6
4	1100mm	+ 6
5	1250mm	+16

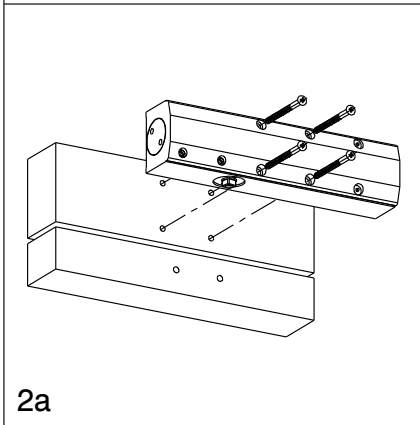
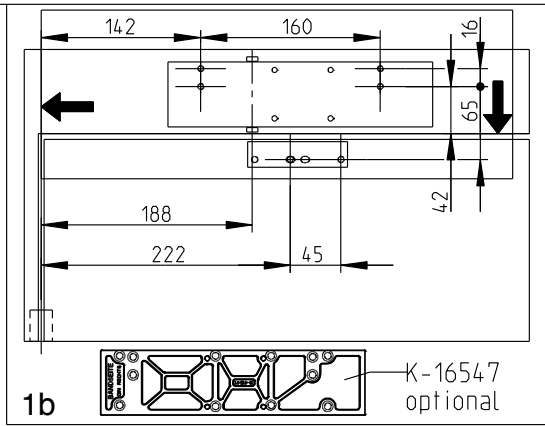
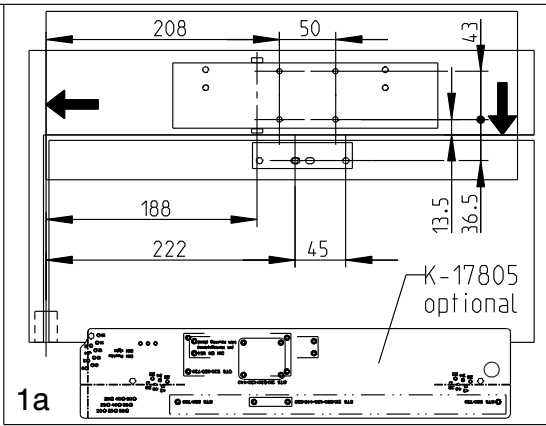
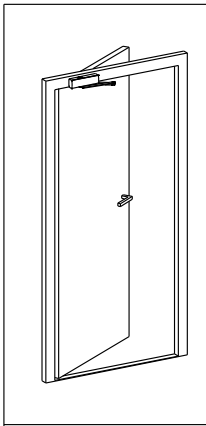


Description  
**OTS 430 Kopfmontage Bandgegenseite, DIN links K-17051/K-17983**  
 -  
**OTS430 transom mount.opposite hinge side, DIN left K-17051/K-17983**

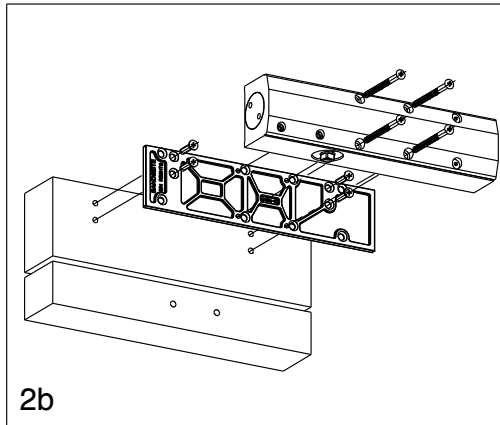
Montageanleitung / assembly instructions  
20120125

	Release No. --	Level	Released		Scale %	Modification 5	Size 4
	Mod. No. G25944	Ver.	--	Si			
	Replacement for M-00097, M-00112		Draft	17.02.2010	Se	Drawing No. <b>0-45360-PF-0-0</b>	

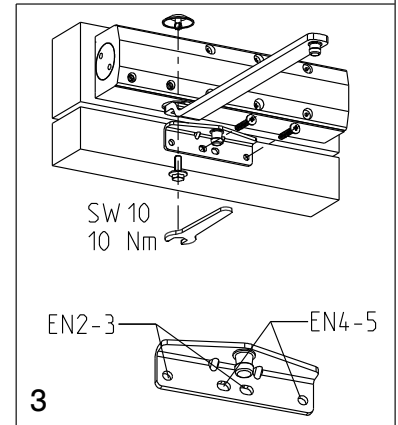
Proprietary rights apply in accordance with ISO 16016.



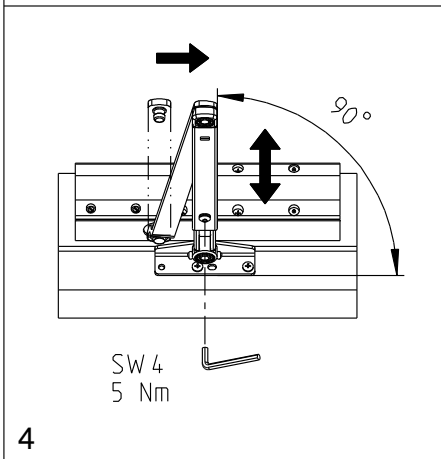
2a



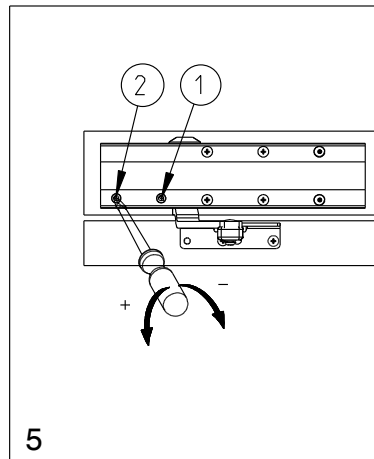
2b



3

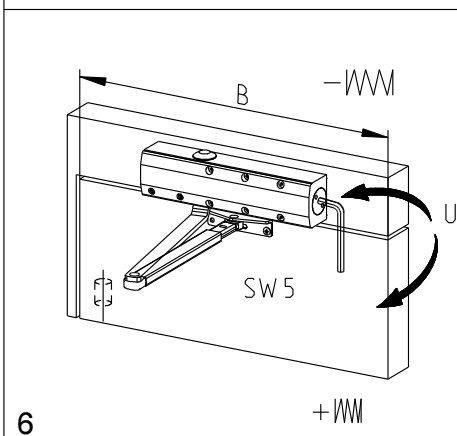
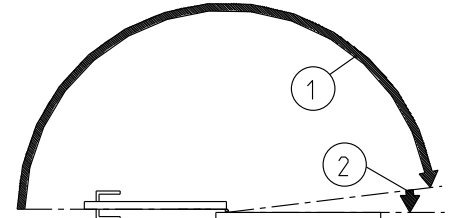


4



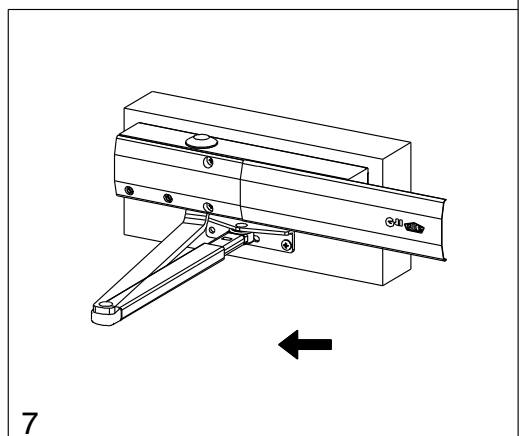
5

- ① Schließgeschwindigkeit  
Closing speed
- ② Türendschlag  
Latching force



6

Schließkraft closing force		
EN	≤ B	U
2	850mm	0
3	950mm	+ 6
4	1100mm	+ 6
5	1250mm	+16



7

Description

**OTS 430 Kopfmontage Bandgegenseite, DIN rechts K-17051/K-17983**

**OTS430 transom mount.opposite hinge side, DIN right K-17051/K-17983**

	Release No.	Level	Released		Scale	Modification	Size
	--	Ver.	--	Si			
	Mod. No. G25944	Draft	17.02.2010	Se		Drawing No. <b>0-45360-PF-0-0</b>	Sheet 4 / 4
Replacement for M-00097, M-00112							