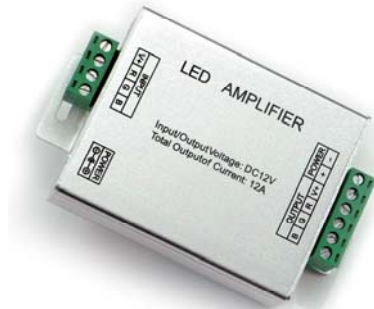


SIGNAL AMPLIFIER

INTRODUCTION

JA-2 is an Amplifier with our latest innovative technology. By receiving PWM signal, it is suitable for all voltage control type RGB controller, theoretically, loading capacity can be doubled while each additional RGB amplifier connected (for example: 3 amplifiers can triple the loading capacity, and 4 amplifiers brings out 4 times loading capacity).

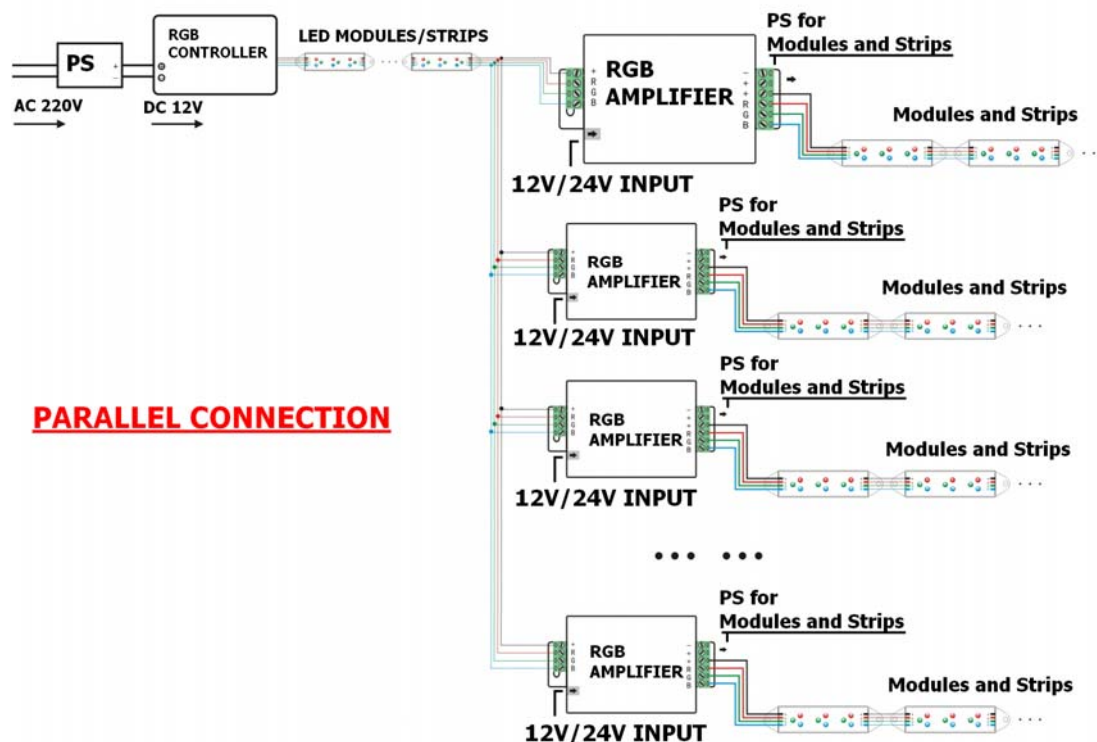


SPECIFICATION

Model: JA-2

- Working temperature: -25-60°C
- Input voltage: DC12V, 24V(12V is regular)
- Output: 3 circuits (3 channels)
- Connection: Common anode or common cathode (common anode is regular)
- Dimension: L105XW65XH25 mm
- Net Weight 190g
- Maximum Output: <4A per channel
- Output Wattage: 12V<144W, 24V<288W

CONNECTION GUIDE



PARALLEL CONNECTION

SERIES CONNECTION:

