

DESCRIPTION

Accumulator charging device is working about following operations;

- Filling
- Inflator
- Pressure Control

APPLICATION

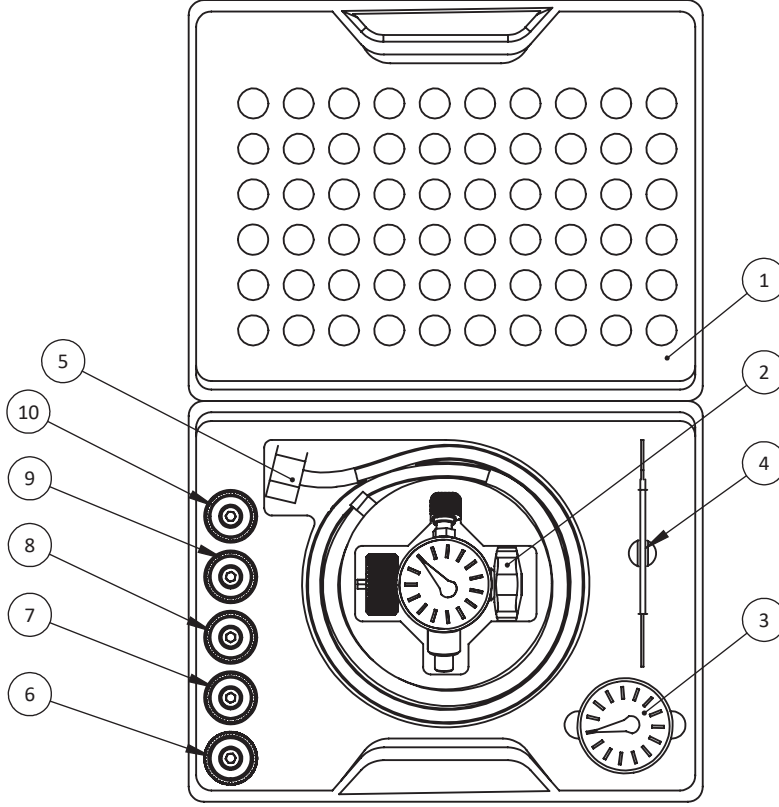
- Hydraulic Accumulators
- Note: "AD1.1" Accumulator filling device is designed for all inflator, filling and pressure control operations of accumulators.



SPECIAL FEATURES

Model	: AD1.1
Maximum Operating Pressure	: 250 bar
Charging Hose	: W24,32x1/14 – M14x1,5 Filling Hose Size :2 m
Adaptors	: Accumulator charging device has 5 pieces adapter; <ul style="list-style-type: none">• UNF 5/8"-18• UNF 5/16"-24• UNF 7/8"-14• G1/4"• M14 x 1,5
Manometers	: Accumulator charging device has 2 pieces manometer. <ul style="list-style-type: none">• Ø63 – 250 bar Back Connection Dry Type Manometer• Ø63 – 100 bar Back Connection Dry Type Manometer

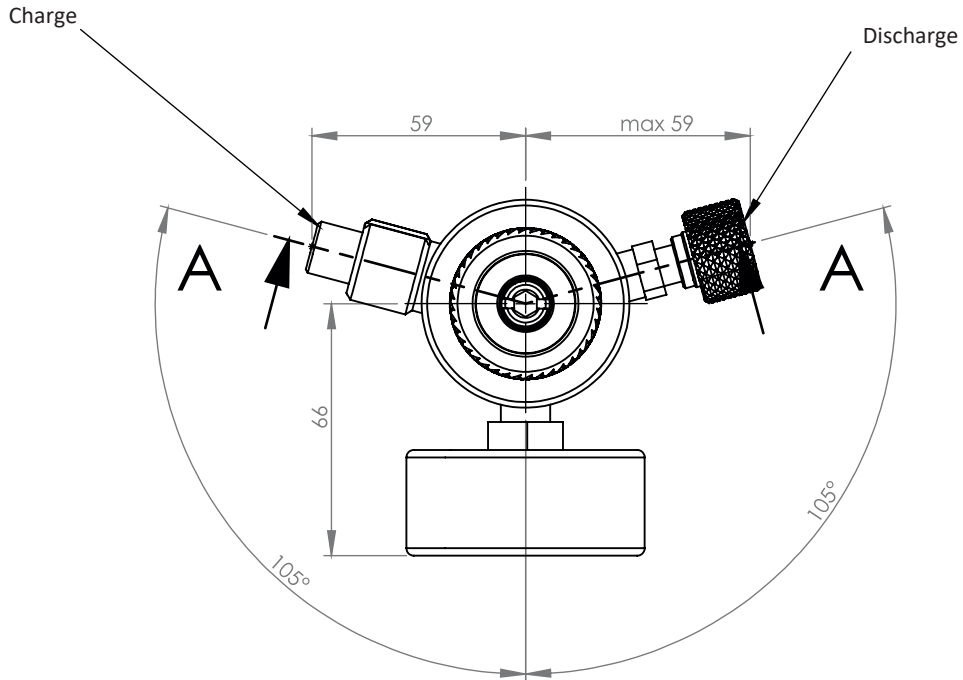
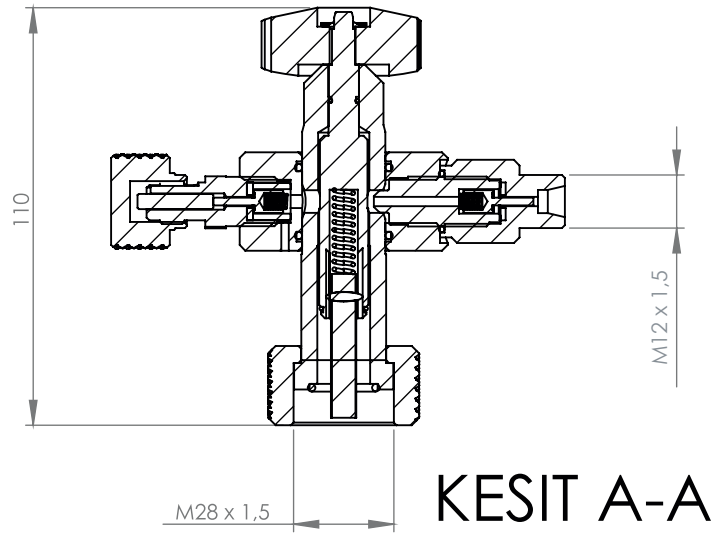
COMPONENT LIST



10	04.99.100.02.31	M14x1,5-ARA ADAPTÖR	1
9	04.99.100.02.28	UNF 5/8" - 18 ARA ADAPTÖR	1
8	04.99.100.02.27	UNF 5/16" - 24 ADAPTÖR	1
7	04.99.100.02.26	G1/4 ADAPTÖR	1
6	04.99.100.02.24	7/8" - 14 UNF ADAPTÖR	1
5	04.05.032	M16x1,5 - M12x1,5 CHARGING HOSE	1
4	02.99.01.001	ALLEN SCREW 6	1
3	02.98.01.04.001	Ø63-250 bar BACK CON. DRT TYPE MANOMETER	1
2	04.99.100.02.23	ACCUMULATOR CHARGING AND TEST DEV.	1
1	02.90.017	ACCUMULATOR DEC. SPECIAL BAG	1
MON.NO.	COMPONENT NO	DESCRIPTION	PCS

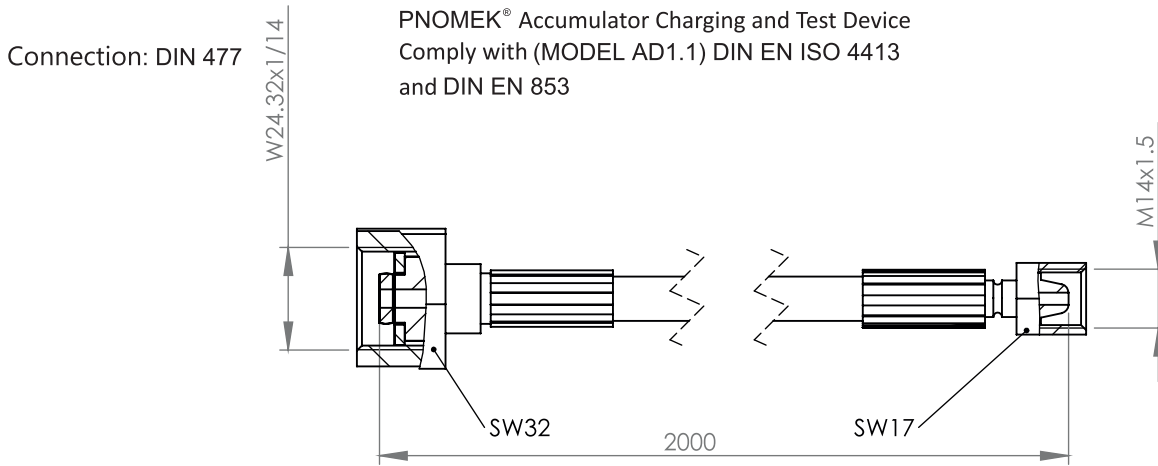
TECHNIC DIMENSIONS

COMPONENT NO. : 04.99.100.02.23

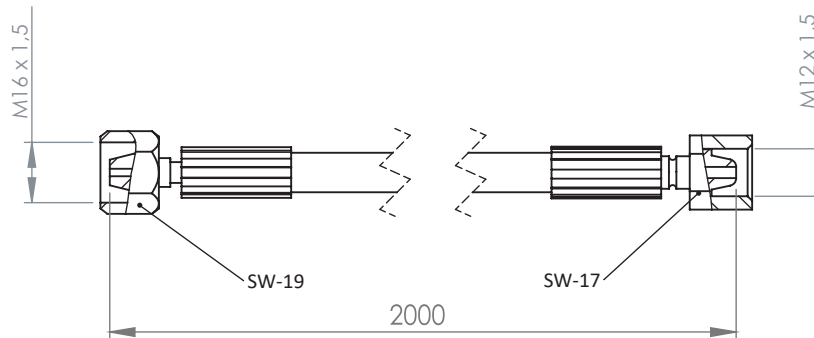


SPARE PART

COMPONENT NO. : 04.05.032

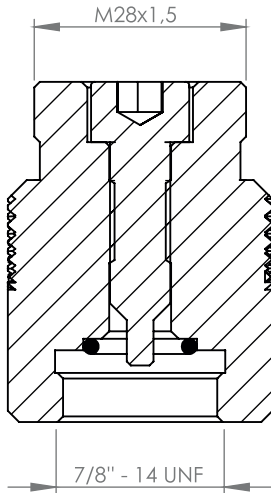


COMPONENT NO. : 04.05.044

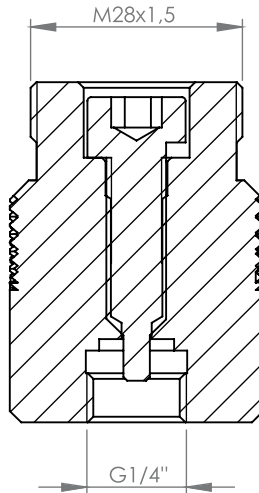


SPARE PART

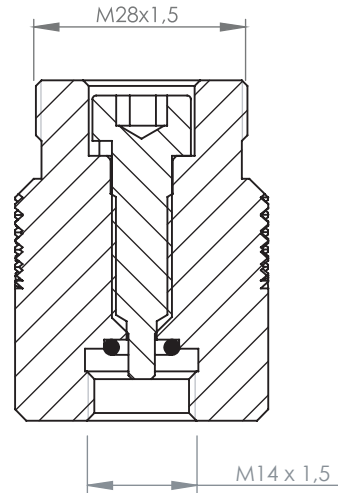
COMPONENT NO.
04.99.100.02.24



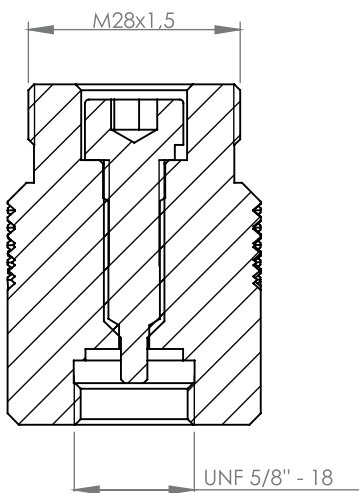
COMPONENT NO.
04.99.100.02.26



COMPONENT NO.
04.99.100.02.31



COMPONENT NO.
04.99.100.02.28



COMPONENT NO.
04.99.100.02.27

