

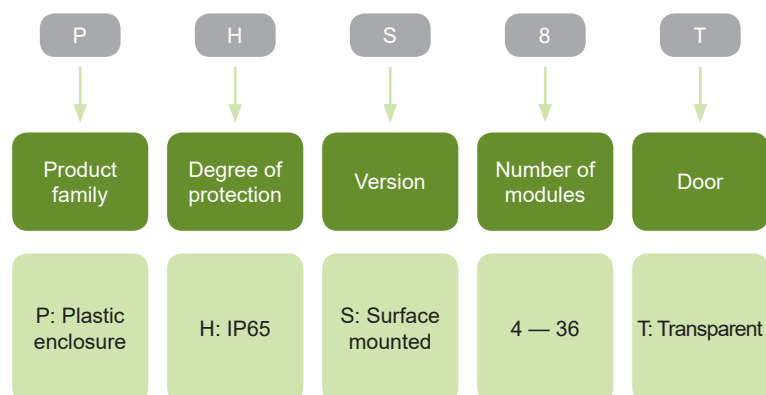
Surface-mounted IP65 Consumer Units PHS



- Surface-mounted consumer units PHS
- Rated oper. voltage 690 V AC, 1000 V DC
- Degree of protection IP65
- 4 up to 36 modules
- 1 up to 3 rows
- Transparent door

Consumer units PHS are intended for general applications including industrial ones with requirements for high degree of IP protection. Their design is suitable for surface mounting. Scope of delivery consists of enclosure, door, device DIN rails, N + PE terminals, front cover with device cutout, cover for empty place, mounting material.

Type Key



Certification marks



Surface-mounted IP65 Consumer Units PHS

Consumer units PHS with transparent door

- Surface mounted version
- 4, 8 or 12 modules per row
- 1 up to 3 rows
- Scope of delivery: enclosure, door, device DIN rails, N + PE terminals, front cover with device cutout, cover for empty place, mounting material



N+PE terminals	Number of rows	Total modules	Article No.	Type	Packing
4+4	1	4	101492	PHS 4T	1
8+8	1	8	101493	PHS 8T	1
10+10	1	12	101494	PHS 12T	1
15+15	2	24	101495	PHS 24T	1
15+15	3	36	101496	PHS 36T	1

Spare door, transparent

- Spare door for consumer unit
- Suitable for PHS line of consumer units
- Packed separately



Version	For consumer units	Article No.	Type	Packing
Transparent	PHS 4T	101533	DR PHS 4T	1
Transparent	PHS 8T	101534	DR PHS 8T	1
Transparent	PHS 12T	101535	DR PHS 12T	1
Transparent	PHS 24T	101536	DR PHS 24T	1
Transparent	PHS 36T	101537	DR PHS 36T	1

Surface-mounted IP65 Consumer Units PHS

Lock with key

- Lock with key
- For subsequent mounting onto enclosure door
- Metal version of lock



Version of lock	For consumer units	Article No.	Type	Packing
Metal	PHS	101571	LK PH M	1

Cover for empty place

- Cover for unused 45 mm device cutout
- White colour
- Total width 224 mm, can be shortened
- Segmented as 1x 15 mm, 22 x 1/2 module width, 1x 15 mm



Description	Width	Article No.	Type	Packing
Cover	224 mm	101574	B CC45	1/500

Spare mounting material

- For IP65 surface mounted consumer units
- Package contains: screws, wall plugs, screw covers, stickers, empty place cover



Description	Article No.	Type	Packing
Spare mounting material, IP65	106182	SMM IP65S	1 pack

Cable grommets

- Cable grommets suitable for cutouts prepared on the enclosures
- Used material allows to use various diameter of the conductors (up to 50 mm²)
- Packed separately



Description	Diameter	Article No.	Type	Packing
Cable grommet	16 mm	106860	CGQS M16	1
Cable grommet	20 mm	106208	CGQS M20	1
Cable grommet	25 mm	106209	CGQS M25	1
Cable grommet	32 mm	106210	CGQS M32	1

Technical Data PHS

Plastic consumer units, IP65, surface mounted

General parameters

Consumer units for general and industrial applications

Surface mounted version

Scope of delivery: enclosure, door, device DIN rails, N + PE terminals, front cover with device cutout, cover for empty place, mounting material

Electrical parameters

Tested according to	EN 60670, EN 62208
Rated op. voltage U_n	690 V AC 1000 V DC
Rated current I_n	63 A
Rated frequency	50 Hz
Degree of protection	IP65
Protection class	II
Rated insulating voltage U_i	690 V AC 1000 V DC
Maximum power dissipation of all installed devices at ambient temperature 30 °C	
PHS 4T	10 W
PHS 8T	13 W
PHS 12T	16 W
PHS 24T	24 W
PHS 36T	26 W

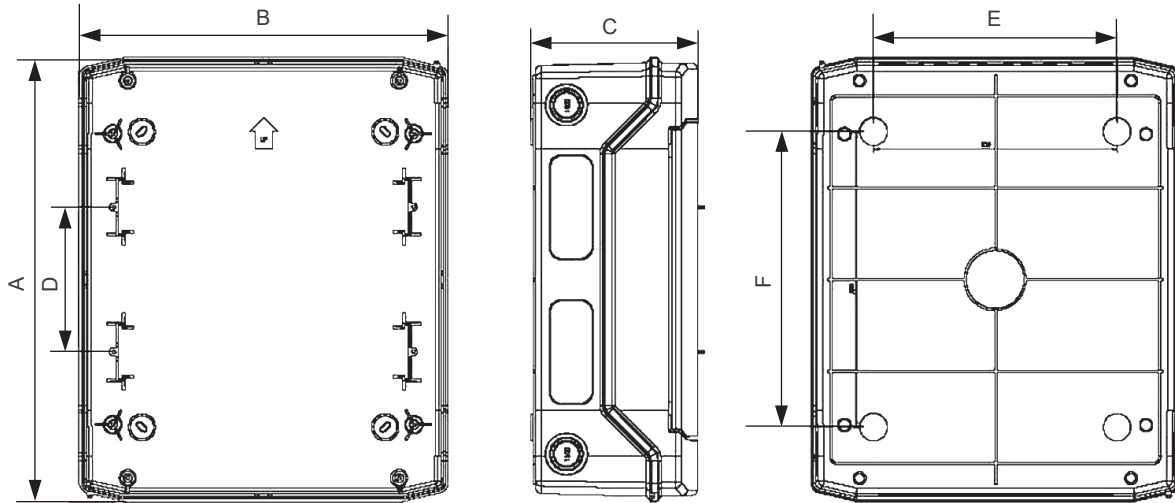
Mechanical parameters

Glow-wire test	650 °C
Mechanical impact resistance	IK08
Used plastics	Halogen-free
Body color	RAL7035
UV stable	Yes
Temperature	-25°C – +60°C
Material	Acrylonitrile acrylic styrene

Technical Data PHS

Plastic consumer units, IP65, surface mounted

Dimensional drawings



Dimensions

Type	Dimensions [mm]					
	A	B	C	D	E	F
PHS 4T	201	128	120	—	78	111
PHS 8T	201	202	120	—	100	140
PHS 12T	259	319	144	—	210	130
PHS 24T	384	319	144	125	210	255
PHS 36T	508	319	144	125	210	380