

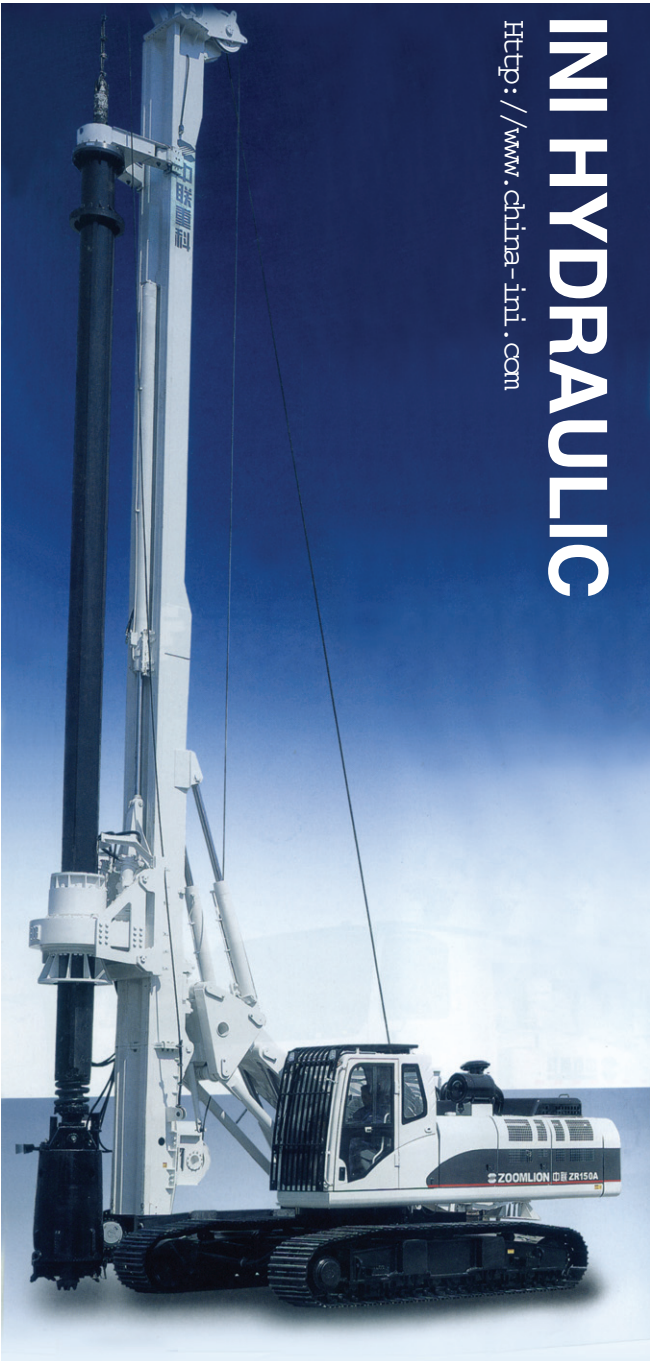
ini[®] NINGBO DAGANG INI
HYDRAULIC CO.,LTD.



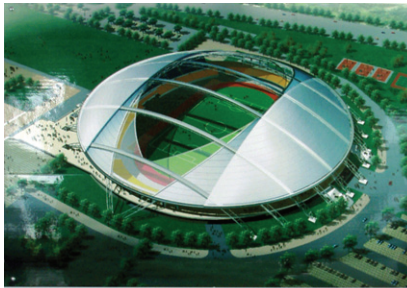
>>> [Http: //www.china-ini.com](http://www.china-ini.com)

2010 Catalogue

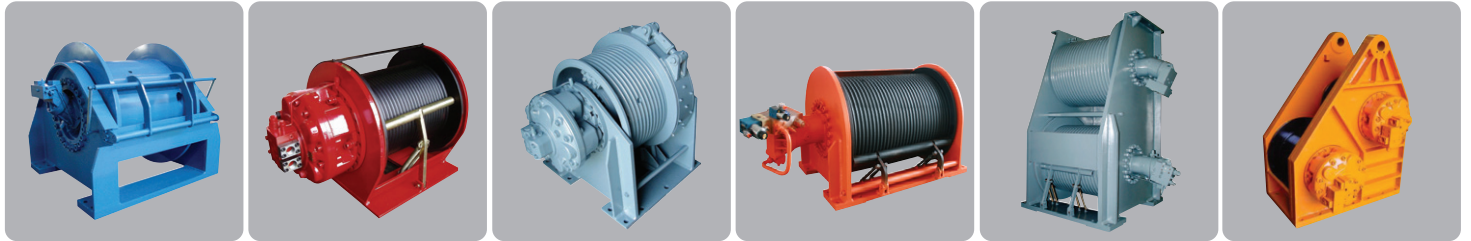
Product Shows & Applications



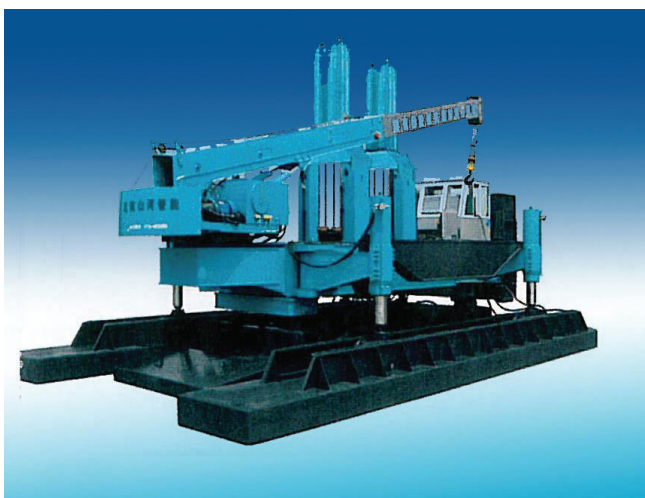
INI HYDRAULIC
Http://www.china-ini.com



Product Shows & Applications



INI HYDRAULIC
[Http://www.china-ini.com](http://www.china-ini.com)





Brief Introduction



NINGBO DAGANG INI HYDRAULIC CO., LTD is situated in a state-level economic and technological development zone of BEILUN district, NINGBO. The factory covers almost 40,000 m², with 38,000 m² building area. The registered capital is 6,500,000 USD, and the total investment is 15,000,000 USD. Currently, the company is staffed with 400 employees, 20% among whom are professional technicians. The company has a strong R&D team, led by the general manager—a professorate senior engineer, who takes special allowance from State Council. The team also includes one doctor, two masters, senior engineers, engineers and engineer trainees, and two retired German experts from ZF GROUP as honor employees. They will come to the factory to help and give advices once a year. Up to now, the company owns eight invention patents and thirty practical innovation and figure patents. Several other patents are under reviewing. The company is specialized in manufacturing of electro-hydraulic proportional valves, hydraulic motors, hydrostatic drives, hydraulic winches, planetary gearboxes, high accuracy rotary flow dividers and the whole set of hydraulic system. These patent products are widely used in engineering machinery, petroleum, mining industry, geological exploration, ships, metallurgy, light industry, agriculture, landscape, environment and military industry. Now we are stepping into the international market, and our products are being exported to Southeast Asia, Middle East, Germany, USA, Netherlands, Turkey, India, Russia, Korea and other countries and regions around the world.

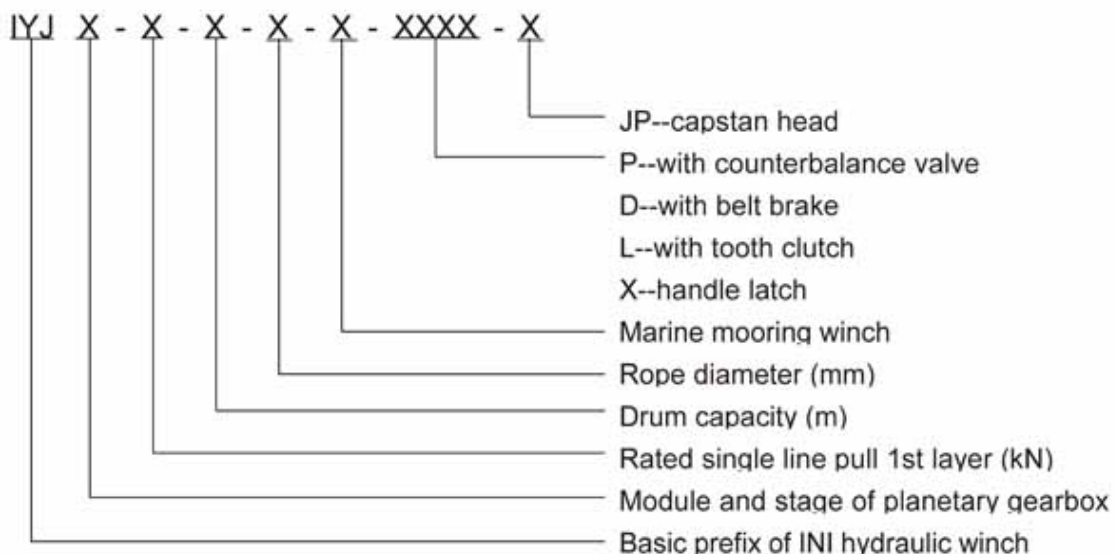
The company has more than 150 advanced manufacturing equipment, half of which were imported. 60% of all the machines are CNC, including three-dimension coordinate measuring machine, universal gear measuring machine, digital ultrasonic inspection machine, and universal tool microscope. A static hydrostatic drives lab and 12 factory test stands were established for product testing. The company passed ISO 9001 quality system certification, CCS certification and CE certification. The annual sales volume reaches 250 million RMB, with a production capacity of over 300 million RMB. The company was appraised as a state-level high-tech enterprise and is a patent pioneer enterprise.

IYJ—C Hydraulic Mooring Winch Series

1. Brief Introduction

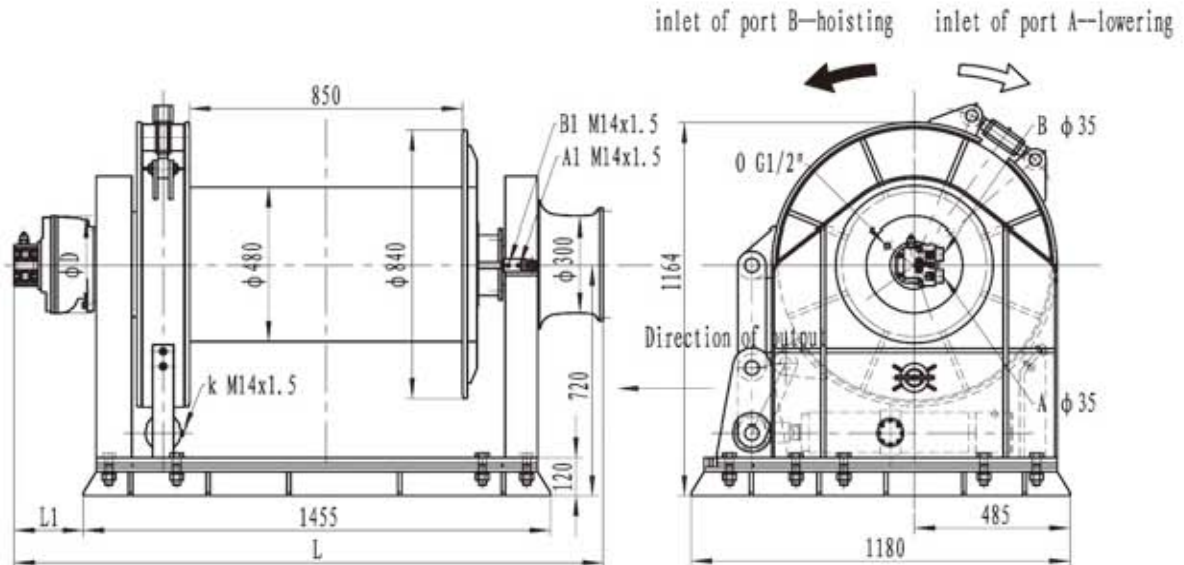
IYJ—C hydraulic mooring winch series are patent products of our company. They consist of valve blocks with function of brake and overload protection, hydraulic motor, planetary gearbox, belt brake, tooth clutch, drum, capstan head, frame and so on. Due to fit with valve block, not only simplified the design of hydraulic system but also improved the reliability of drives. And the winch series could have CT function if fitted with constant tension valve block. The series also have high startup efficiency and working efficiency. In addition, compared with traditional mooring winches, total transmission efficiency of the series is improved 6~10% and energy loss is lower because of closed planetary gearbox instead of open gear, and rolling bearing instead of tegular sliding bearing. These improvements bring to excellent features included compact design, lower noise, high economy and free daily lubrication maintenance. The series meet the national mooring winches standard of GB4446-84. Therefore they have been widely applied in domestic ship machinery and have been exported to Malaysia, Netherlands, Australia and so on.

2. Model Options

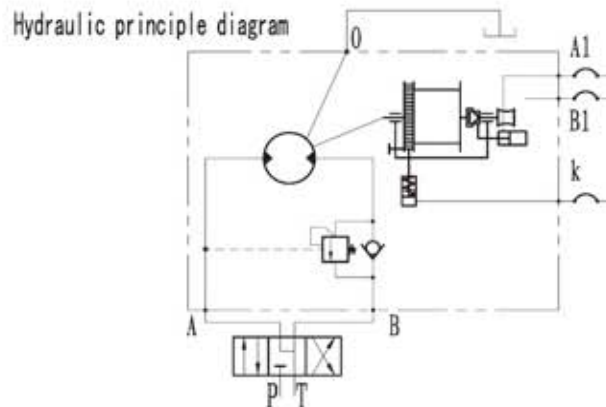


3. Options Example

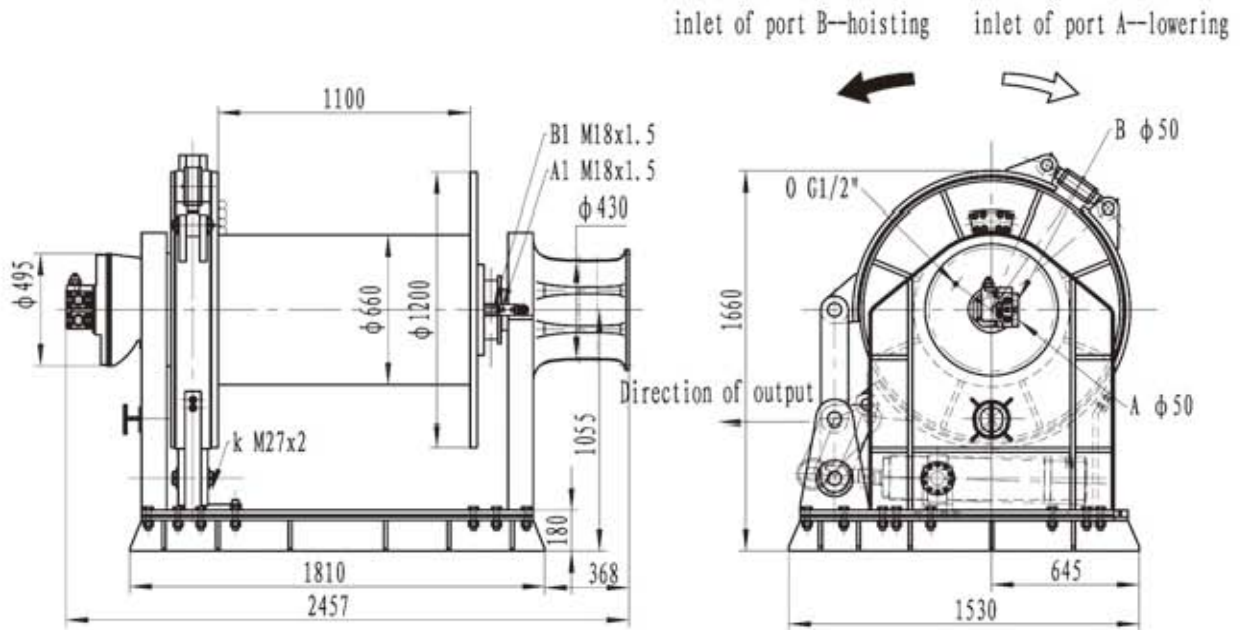
IYJ45-80-180-26-C-PDLX-JP represents that the module of two stages planetary gearbox are 4 and 5 respectively, rated pulling force on 1st layer is 80kN, drum capacity is 180m, rope diameter is 26mm, and the winch fits with belt brake, counterbalance valve, and tooth clutch, handle latch and capstan head.



Model	Drum load (KN)	Support load (KN)	Nominal speed (m/min)	Unload speed (m/min)	Creep speed (m/min)	Displacement (mL/r)	Rated pressure (MPa)	Oil supply (L/min)	Diameter of rope (mm)	layer	Capacity of rope (m)	D (mm)	L1 (mm)	L (mm)
IYJ45-50-280-20.5-C-PDLX-JP	50	150	15	30	0.5	6804	16	69	20.5	4	280	242	191	1810
IYJ45-65-250-24-C-PDLX-JP	65	200	15	30	0.5	8792	16.3	89	24	4	250	242	191	1810
IYJ45-80-230-26-C-PDLX-JP	80	240	15	30	0.5	11900	15	120	26	4	230	304	216	1835
IYJ45-100-220-28-C-PDLX-JP	100	270	15	30	0.5	15820	14.5	158	28	4	220	304	216	1835
IYJ45-125-180-30-C-PDLX-JP	125	310	15	30	0.5	17444	16	174	30	4	180	304	216	1835
IYJ45-150-128-34-C-PDLX-JP	150	420	15	30	0.5	22176	15.6	219	34	3	128	380	239	1858

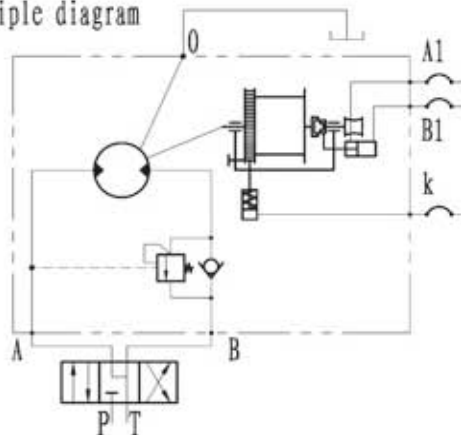


Note: Both the brake and clutch of the series winch could be controlled by hydraulic cylinder (as shown) and manual handle. Please notice when customer gives order bill.

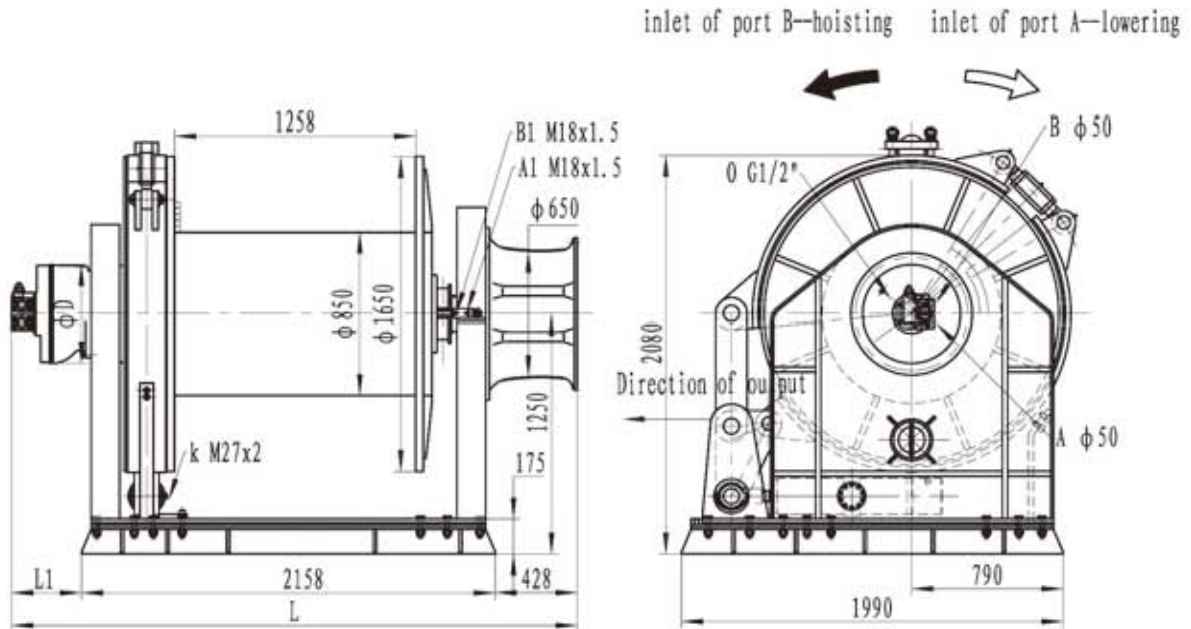


model	Drum load (KN)	Support load (KN)	Nominal speed (m/min)	Unload speed (m/min)	Creep speed (m/min)	Displacement (mL/r)	Rated pressure (MPa)	Oil supply (L/min)	Diameter of rope (mm)	Layer	Capacity of rope (m)
IYJ56-160-295-37.5-C-PDLX-JP	160	470	15	30	0.5	33180	15.1	252	37.5	4	295
IYJ56-200-268-41-C-PDLX-JP	200	590	12	30	0.5	40936	15.3	248	41	4	268
IYJ56-250-262-44-C-PDLX-JP	250	730	10	20	0.5	50848	15.5	255	44	4	262

Hydraulic principle diagram

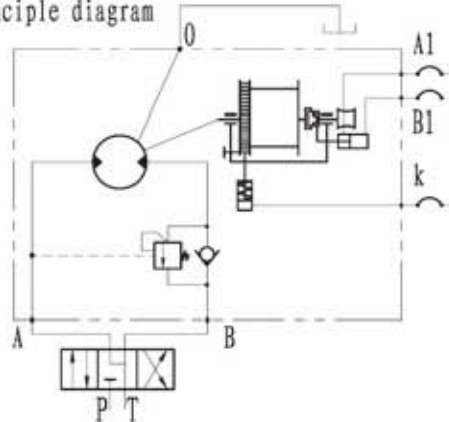


Note: Both the brake and clutch of the series winch could be controlled by hydraulic cylinder (as shown) and manual handle. Please notice when customer gives order bill.



Model	Drum load (KN)	Support load (KN)	Nominal speed (m/min)	Unload speed (m/min)	Creep speed (m/min)	Displacement (mL/r)	Rated pressure (Mpa)	Oil supply (L/min)	Diameter of rope (mm)	Capacity layer of rope (m)	D (mm)	L1 (mm)	L (mm)	
IYJ79-250-360-44.5-C-PDLX-JP	250	730	12	24	0.5	66858	15	317	44.5	4	360	510	340	2911
IYJ79-315-320-52-C-PDLX-JP	315	940	10	20	0.5	79618	16	312	52	4	320	590	369	2940
IYJ79-400-300-56-C-PDLX-JP	400	1080	10	20	0.5	93720	17	366	56	4	300	590	369	2940
IYJ79-500-300-56-C-PDLX-JP	500	1350	10	20	0.5	93720	21	366	56	4	300	590	369	2940

Hydraulic principle diagram



Note: Both the brake and clutch of the series winch could be controlled by hydraulic cylinder (as shown) and manual handle. Please notice when customer gives order bill.