



12-Bit, 8-Channel Serial Output Sampling ANALOG-TO-DIGITAL CONVERTER

FEATURES

- SINGLE SUPPLY: 2.7V to 5V
- 8-CHANNEL SINGLE-ENDED OR 4-CHANNEL DIFFERENTIAL INPUT
- UP TO 200kHz CONVERSION RATE
- ± 1 LSB MAX INL AND DNL
- NO MISSING CODES
- 72dB SINAD
- SERIAL INTERFACE
- 20-LEAD QSOP AND 20-LEAD SSOP PACKAGES
- ALTERNATE SOURCE FOR MAX147

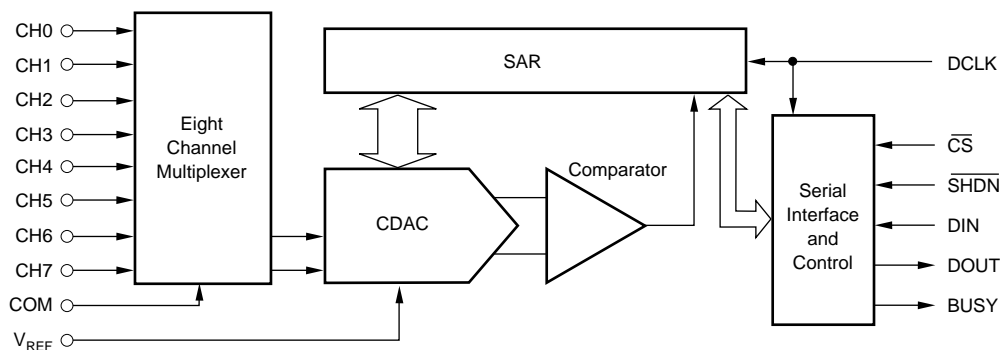
APPLICATIONS

- DATA ACQUISITION
- TEST AND MEASUREMENT
- INDUSTRIAL PROCESS CONTROL
- PERSONAL DIGITAL ASSISTANTS
- BATTERY-POWERED SYSTEMS

DESCRIPTION

The ADS7844 is an 8-channel, 12-bit sampling analog-to-digital converter (ADC) with a synchronous serial interface. Typical power dissipation is 3mW at a 200kHz throughput rate and a +5V supply. The reference voltage (V_{REF}) can be varied between 100mV and V_{CC} , providing a corresponding input voltage range of 0V to V_{REF} . The device includes a shutdown mode that reduces power dissipation to under 1 μ W. The ADS7844 is ensured down to 2.7V operation.

Low power, high speed, and onboard multiplexer make the ADS7844 ideal for battery-operated systems such as personal digital assistants, portable multichannel data loggers, and measurement equipment. The serial interface also provides low-cost isolation for remote data acquisition. The ADS7844 is available in a 20-lead QSOP package and the MAX147 equivalent 20-lead SSOP package and is ensured over the -40°C to $+85^{\circ}\text{C}$ temperature range.



Please be aware that an important notice concerning availability, standard warranty, and use in critical applications of Texas Instruments semiconductor products and disclaimers thereto appears at the end of this data sheet.

All trademarks are the property of their respective owners.

SPECIFICATION: +5V

At $T_A = -40^{\circ}\text{C}$ to $+85^{\circ}\text{C}$, $+V_{CC} = +5\text{V}$, $V_{REF} = +5\text{V}$, $f_{SAMPLE} = 200\text{kHz}$, and $f_{CLK} = 16 \cdot f_{SAMPLE} = 3.2\text{MHz}$, unless otherwise noted.

| PARAMETER | CONDITIONS | ADS7844E, N | | | ADS7844EB, NB | | | UNITS |
|--|---|-------------|-----------|-----------------|---------------|-----------|---------|----------------------------|
| | | MIN | TYP | MAX | MIN | TYP | MAX | |
| ANALOG INPUT | | | | | | | | |
| Full-Scale Input Span | Positive Input - Negative Input | 0 | | V_{REF} | * | | * | V |
| Absolute Input Range | Positive Input | -0.2 | | $+V_{CC} + 0.2$ | * | | * | V |
| | Negative Input | -0.2 | | +1.25 | * | | * | V |
| Capacitance | | | 25 | | | * | | pF |
| Leakage Current | | | ± 1 | | | * | | μA |
| SYSTEM PERFORMANCE | | | | | | | | |
| Resolution | | | 12 | | * | * | | Bits |
| No Missing Codes | | 12 | | | * | | | Bits |
| Integral Linearity Error | | | | ± 2 | | | ± 1 | LSB ⁽¹⁾ |
| Differential Linearity Error | | | ± 0.8 | ± 3 | | ± 0.5 | ± 1 | LSB |
| Offset Error | | | | ± 3 | | | * | LSB |
| Offset Error Match | | | 0.15 | 1.0 | | * | * | LSB |
| Gain Error | | | | ± 4 | | | ± 3 | LSB |
| Gain Error Match | | | 0.1 | 1.0 | | * | * | LSB |
| Noise | | | 30 | | | * | | μV_{rms} |
| Power Supply Rejection | | | 70 | | | * | | dB |
| SAMPLING DYNAMICS | | | | | | | | |
| Conversion Time | | | | 12 | | | * | Clk Cycles |
| Acquisition Time | | 3 | | | * | | | Clk Cycles |
| Throughput Rate | | | | 200 | | | * | kHz |
| Multiplexer Settling Time | | | 500 | | | * | | ns |
| Aperture Delay | | | 30 | | | * | | ns |
| Aperture Jitter | | | 100 | | | * | | ps |
| DYNAMIC CHARACTERISTICS | | | | | | | | |
| Total Harmonic Distortion ⁽²⁾ | $V_{IN} = 5V_{PP}$ at 10kHz | | -76 | | | -78 | | dB |
| Signal-to-(Noise + Distortion) | $V_{IN} = 5V_{PP}$ at 10kHz | | 71 | | | 72 | | dB |
| Spurious Free Dynamic Range | $V_{IN} = 5V_{PP}$ at 10kHz | | 76 | | | 78 | | dB |
| Channel-to-Channel Isolation | $V_{IN} = 5V_{PP}$ at 50kHz | | 120 | | | * | | dB |
| REFERENCE INPUT | | | | | | | | |
| Range | DCLK Static | 0.1 | | $+V_{CC}$ | * | | * | V |
| Resistance | | | 5 | | | * | | $\text{G}\Omega$ |
| Input Current | $f_{SAMPLE} = 12.5\text{kHz}$ | | 45 | 100 | | * | * | μA |
| | DCLK Static | | 2.5 | 3 | | * | * | μA |
| | | | 0.001 | | | * | * | μA |
| DIGITAL INPUT/OUTPUT | | | | | | | | |
| Logic Family | | | CMOS | | | * | | |
| Logic Levels | | | | | | | | |
| V_{IH} | $ I_{IH} \leq +5\mu\text{A}$ | 3.0 | | 5.5 | * | | * | V |
| V_{IL} | $ I_{IL} \leq +5\mu\text{A}$ | -0.3 | | +0.8 | * | | * | V |
| V_{OH} | $I_{OH} = -250\mu\text{A}$ | 3.5 | | | * | | * | V |
| V_{OL} | $I_{OL} = 250\mu\text{A}$ | | | 0.4 | | | * | V |
| Data Format | | | | Straight Binary | | * | | |
| POWER SUPPLY REQUIREMENTS | | | | | | | | |
| $+V_{CC}$ | Specified Performance | 4.75 | | 5.25 | * | | * | V |
| Quiescent Current | | | 550 | 900 | | | * | μA |
| | $f_{SAMPLE} = 12.5\text{kHz}$ | | 300 | | | * | | μA |
| | Power-Down Mode ⁽³⁾ , $\overline{\text{CS}} = +V_{CC}$ | | | 3 | | | * | μA |
| Power Dissipation | | | | 4.5 | | | * | mW |
| TEMPERATURE RANGE | | | | | | | | |
| Specified Performance | | -40 | | +85 | * | | * | $^{\circ}\text{C}$ |

* Same specifications as ADS7844E, ADS7844N.

NOTE: (1) LSB means Least Significant Bit. With V_{REF} equal to +5.0V, one LSB is 1.22mV. (2) First five harmonics of the test frequency. (3) Auto power-down mode (PD1 = PD0 = 0) active or SHDN = GND.

SPECIFICATION: +2.7V

At $T_A = -40^{\circ}\text{C}$ to $+85^{\circ}\text{C}$, $+V_{CC} = +2.7\text{V}$, $V_{REF} = +2.5\text{V}$, $f_{SAMPLE} = 125\text{kHz}$, and $f_{CLK} = 16 \cdot f_{SAMPLE} = 2\text{MHz}$, unless otherwise noted.

| PARAMETER | CONDITIONS | ADS7844E, N | | | ADS7844EB, NB | | | UNITS |
|--|---|---------------------|-----------|-----------------|---------------|-----------|---------------|----------------------------|
| | | MIN | TYP | MAX | MIN | TYP | MAX | |
| ANALOG INPUT Full-Scale Input Span Absolute Input Range | Positive Input - Negative Input | 0 | | V_{REF} | * | | * | V |
| | Positive Input | -0.2 | | $+V_{CC} + 0.2$ | * | | * | V |
| | Negative Input | -0.2 | | $+0.2$ | * | | * | V |
| Capacitance | | | 25 | | * | | pF | |
| Leakage Current | | | ± 1 | | * | | μA | |
| SYSTEM PERFORMANCE Resolution No Missing Codes Integral Linearity Error Differential Linearity Error Offset Error Offset Error Match Gain Error Gain Error Match Noise Power Supply Rejection | | 12 | 12 | | * | * | | Bits |
| | | | | ± 2 | | | ± 1 | Bits LSB ⁽¹⁾ |
| | | | ± 0.8 | | | ± 0.5 | ± 1 | LSB |
| | | | | ± 3 | | | * | LSB |
| | | | 0.15 | | 1.0 | * | * | LSB |
| | | | | | ± 4 | | ± 3 | LSB |
| | | | 0.1 | | 1.0 | * | * | LSB |
| | | | | 30 | | * | | μV_{rms} |
| | | | | 70 | | * | | dB |
| SAMPLING DYNAMICS Conversion Time Acquisition Time Throughput Rate Multiplexer Settling Time Aperture Delay Aperture Jitter | | 3 | | 12 | * | | * | Clk Cycles |
| | | | | 125 | | | * | Clk Cycles |
| | | | 500 | | | * | | ns |
| | | | 30 | | | * | | ns |
| | | | 100 | | | * | | ps |
| | | | | | | | | |
| DYNAMIC CHARACTERISTICS Total Harmonic Distortion ⁽²⁾ Signal-to-(Noise + Distortion) Spurious Free Dynamic Range Channel-to-Channel Isolation | $V_{IN} = 2.5V_{PP}$ at 10kHz | | -75 | | | -77 | | dB |
| | $V_{IN} = 2.5V_{PP}$ at 10kHz | | 71 | | | 72 | | dB |
| | $V_{IN} = 2.5V_{PP}$ at 10kHz | | 78 | | | 80 | | dB |
| | $V_{IN} = 2.5V_{PP}$ at 50kHz | | 100 | | | * | | dB |
| REFERENCE INPUT Range Resistance Input Current | DCLK Static | 0.1 | 5 | $+V_{CC}$ | * | * | * | V |
| | | | 13 | | | * | * | $\text{G}\Omega$ |
| | $f_{SAMPLE} = 12.5\text{kHz}$ | | 2.5 | 40 | | * | * | μA |
| | DCLK Static | | 0.001 | 3 | | * | * | μA |
| DIGITAL INPUT/OUTPUT Logic Family Logic Levels V_{IH} V_{IL} V_{OH} V_{OL} Data Format | | | CMOS | | | * | | |
| | $ I_{IH} \leq +5\mu\text{A}$ | $+V_{CC} \cdot 0.7$ | | 5.5 | * | | * | V |
| | $ I_{IL} \leq +5\mu\text{A}$ | -0.3 | | +0.8 | * | | * | V |
| | $I_{OH} = -250\mu\text{A}$ | $+V_{CC} \cdot 0.8$ | | | * | | * | V |
| | $I_{OL} = 250\mu\text{A}$ | | | 0.4 | | | * | V |
| | | Straight Binary | | | | * | | |
| POWER SUPPLY REQUIREMENTS $+V_{CC}$ Quiescent Current Power Dissipation | Specified Performance | 2.7 | | 3.6 | * | * | * | V |
| | | | 280 | 650 | | * | * | μA |
| | $f_{SAMPLE} = 12.5\text{kHz}$ Power-Down Mode ⁽³⁾ , $\overline{CS} = +V_{CC}$ | | 220 | | | * | * | μA |
| | | | | 3 | | * | μA | |
| | | | | 1.8 | | * | mW | |
| TEMPERATURE RANGE Specified Performance | | -40 | | +85 | * | | * | $^{\circ}\text{C}$ |

* Same specifications as ADS7844E, ADS7844N.

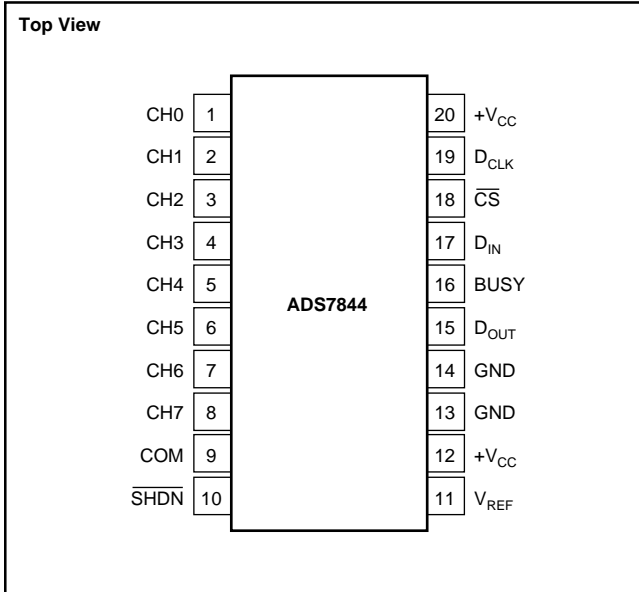
NOTE: (1) LSB means Least Significant Bit. With V_{REF} equal to +2.5V, one LSB is 610mV. (2) First five harmonics of the test frequency. (3) Auto power-down mode (PD1 = PD0 = 0) active or $\overline{SHDN} = \text{GND}$.

PACKAGE/ORDERING INFORMATION⁽¹⁾

| PRODUCT | MINIMUM RELATIVE ACCURACY (LSB) | MAXIMUM GAIN ERROR (LSB) | SPECIFIED TEMPERATURE RANGE | PACKAGE-LEAD | PACKAGE DESIGNATOR | ORDERING NUMBER | TRANSPORT MEDIA, QUANTITY |
|-----------|---------------------------------|--------------------------|-----------------------------|--------------|--------------------|-----------------|---------------------------|
| ADS7844E | ±2 | ±4 | -40°C to +85°C | QSOP-20 | DBQ | ADS7844E | Rails, 56 |
| " | " | " | " | " | " | ADS7844E/2K5 | Tape and Reel, 2500 |
| ADS7844N | " | " | " | SSOP-20 | DB | ADS7844N | Rails, 68 |
| " | " | " | " | " | " | ADS7844N/1K | Tape and Reel, 1000 |
| ADS7844EB | ±1 | ±3 | -40°C to +85°C | QSOP-20 | DBQ | ADS7844EB | Rails, 56 |
| " | " | " | " | " | " | ADS7844EB/2K5 | Tape and Reel, 2500 |
| ADS7844NB | " | " | " | SSOP-20 | DB | ADS7844NB | Rails, 68 |
| " | " | " | " | " | " | ADS7844NB/1K | Tape and Reel, 1000 |

NOTES: (1) For the most current package and ordering information, see the Package Option Addendum at the end of this data sheet.

PIN CONFIGURATION



PIN DESCRIPTIONS

| PIN | NAME | DESCRIPTION |
|-----|------------------|---|
| 1 | CH0 | Analog Input Channel 0. |
| 2 | CH1 | Analog Input Channel 1. |
| 3 | CH2 | Analog Input Channel 2. |
| 4 | CH3 | Analog Input Channel 3. |
| 5 | CH4 | Analog Input Channel 4. |
| 6 | CH5 | Analog Input Channel 5. |
| 7 | CH6 | Analog Input Channel 6. |
| 8 | CH7 | Analog Input Channel 7. |
| 9 | COM | Ground reference for analog inputs. Sets zero code voltage in single ended mode. Connect this pin to ground or ground reference point. |
| 10 | SHDN | Shutdown. When LOW, the device enters a very low power shutdown mode. |
| 11 | V _{REF} | Voltage Reference Input. See Specification Table for ranges. |
| 12 | +V _{CC} | Power Supply, 2.7V to 5V. |
| 13 | GND | Ground |
| 14 | GND | Ground |
| 15 | D _{OUT} | Serial Data Output. Data is shifted on the falling edge of D _{CLK} . This output is high impedance when CS is high. |
| 16 | BUSY | Busy Output. Busy goes low when the DIN control bits are being read and also when the device is converting. The Output is high impedance when CS is High. |
| 17 | D _{IN} | Serial Data Input. If CS is LOW, data is latched on rising edge of D _{CLK} . |
| 18 | CS | Chip Select Input. Active LOW. Data will not be clocked into D _{IN} unless CS is low. When CS is high D _{OUT} is high impedance. |
| 19 | CLK | External Clock Input. The clock speed determines the conversion rate by the equation $f_{CLK} = 16 \cdot f_{SAMPLE}$. |
| 20 | +V _{CC} | Power Supply |

ABSOLUTE MAXIMUM RATINGS⁽¹⁾

| | |
|-----------------------------------|----------------------------------|
| +V _{CC} to GND | -0.3V to +6V |
| Analog Inputs to GND | -0.3V to +V _{CC} + 0.3V |
| Digital Inputs to GND | -0.3V to +6V |
| Power Dissipation | 250mW |
| Maximum Junction Temperature | +150°C |
| Operating Temperature Range | -40°C to +85°C |
| Storage Temperature Range | -65°C to +150°C |
| Lead Temperature (soldering, 10s) | +300°C |

NOTE: (1) Stresses above those listed under "Absolute Maximum Ratings" may cause permanent damage to the device. Exposure to absolute maximum conditions for extended periods may affect device reliability.



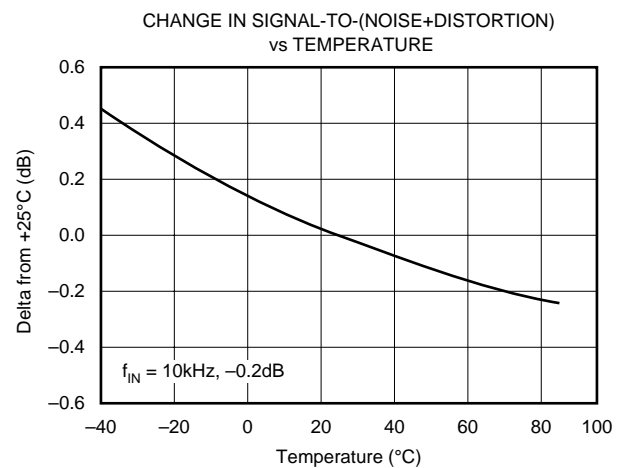
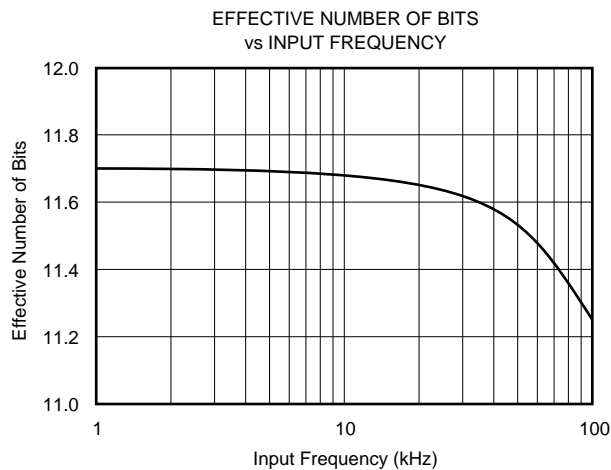
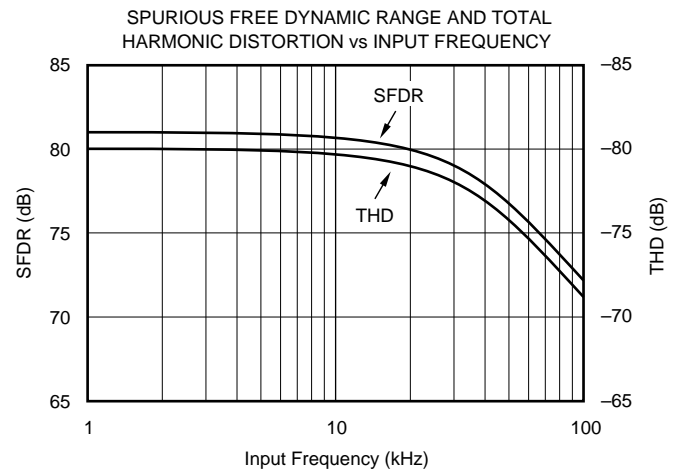
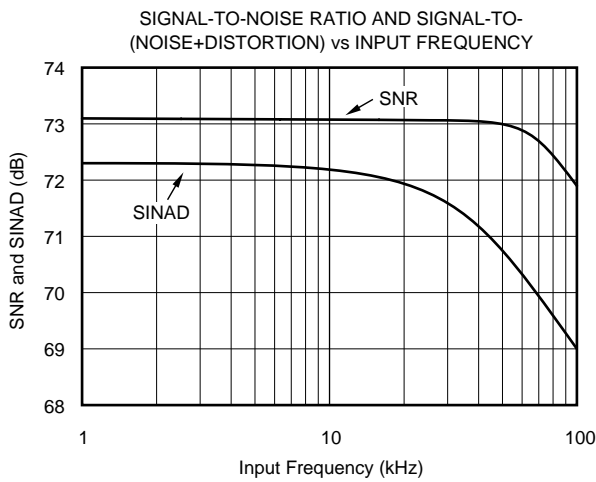
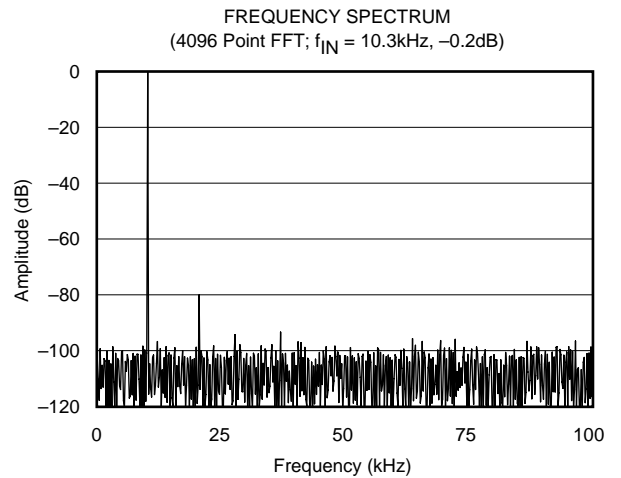
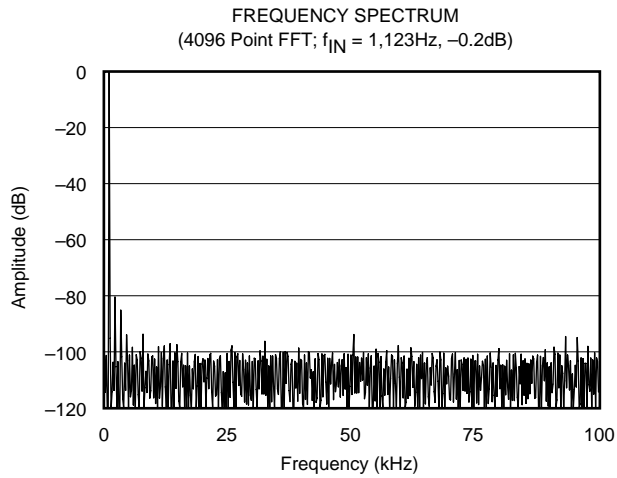
ELECTROSTATIC DISCHARGE SENSITIVITY

This integrated circuit can be damaged by ESD. Texas Instruments recommends that all integrated circuits be handled with appropriate precautions. Failure to observe proper handling and installation procedures can cause damage.

ESD damage can range from subtle performance degradation to complete device failure. Precision integrated circuits may be more susceptible to damage because very small parametric changes could cause the device not to meet its published specifications.

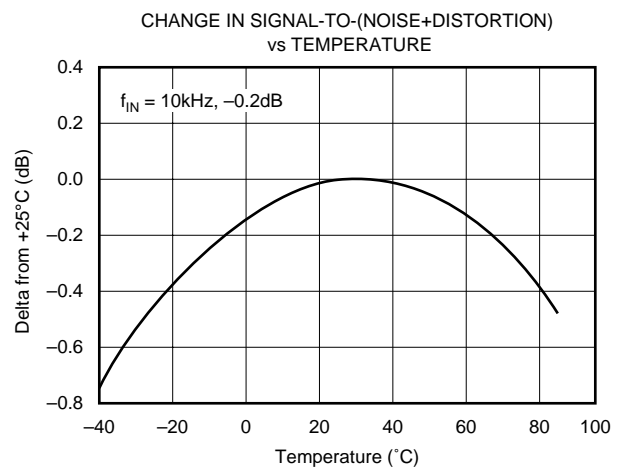
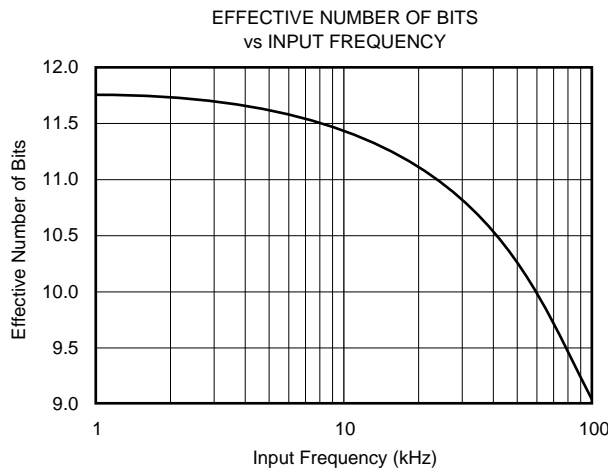
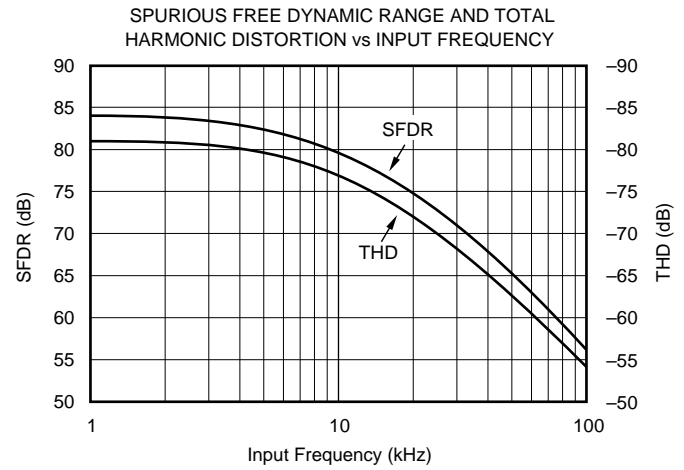
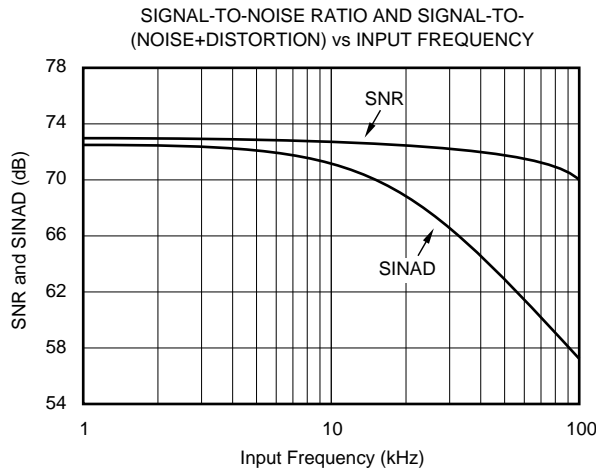
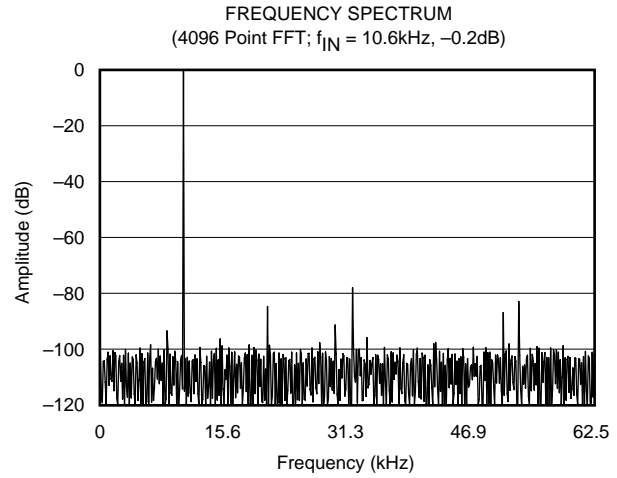
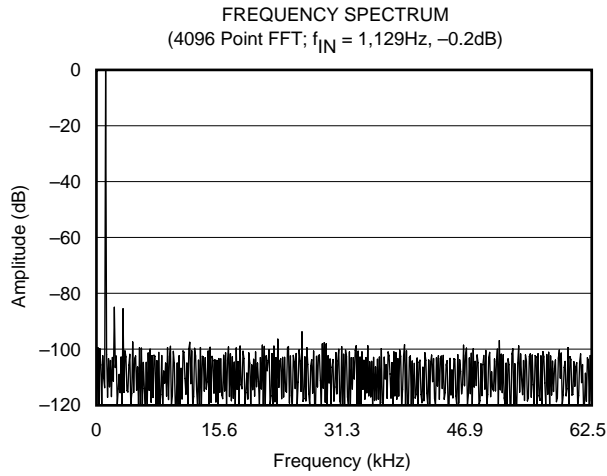
TYPICAL PERFORMANCE CURVES: +5V

At $T_A = +25^\circ\text{C}$, $+V_{CC} = +5\text{V}$, $V_{REF} = +5\text{V}$, $f_{\text{SAMPLE}} = 200\text{kHz}$, and $f_{\text{CLK}} = 16 \cdot f_{\text{SAMPLE}} = 3.2\text{MHz}$, unless otherwise noted.



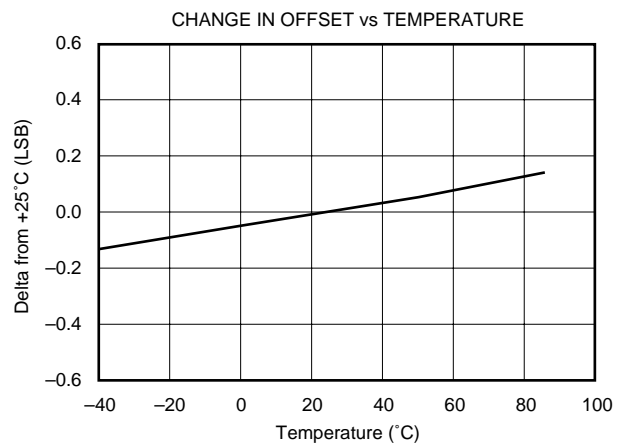
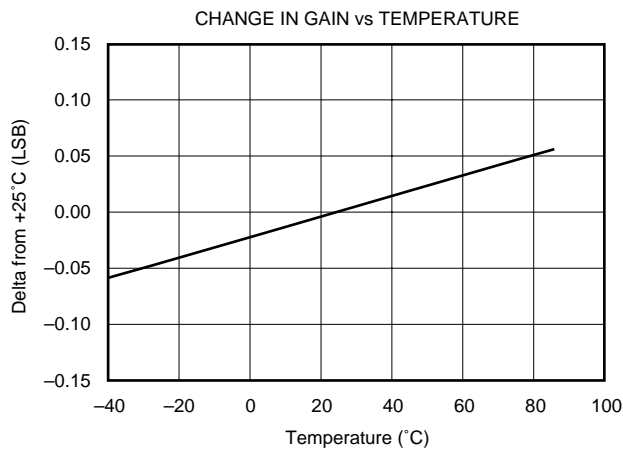
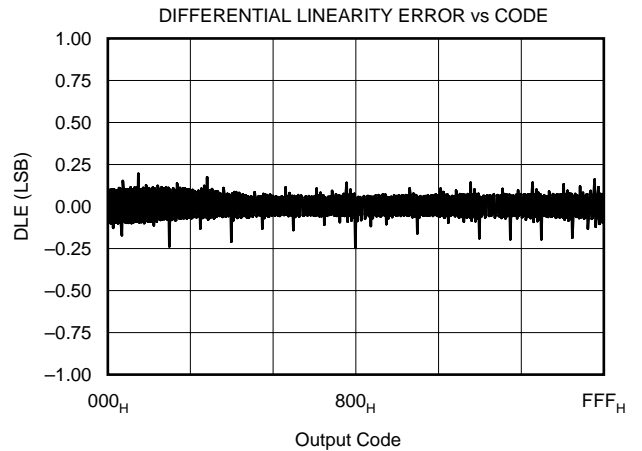
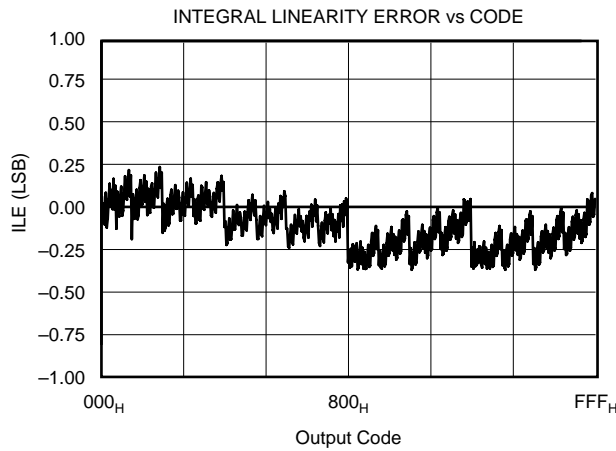
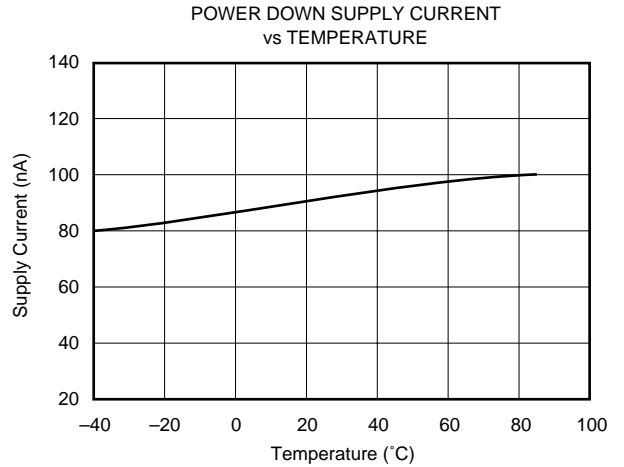
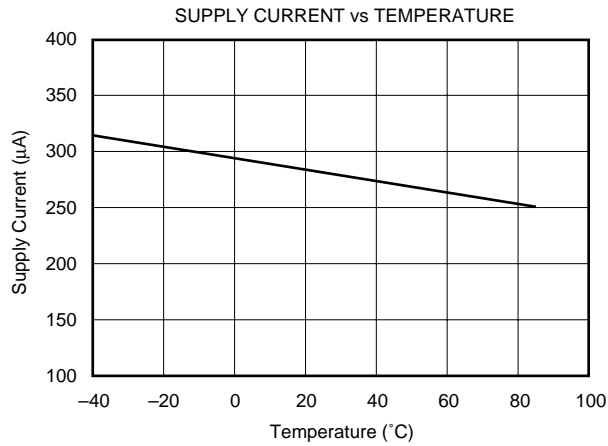
TYPICAL PERFORMANCE CURVES: +2.7V

At $T_A = +25^\circ\text{C}$, $+V_{CC} = +2.7\text{V}$, $V_{REF} = +2.5\text{V}$, $f_{\text{SAMPLE}} = 125\text{kHz}$, and $f_{\text{CLK}} = 16 \cdot f_{\text{SAMPLE}} = 2\text{MHz}$, unless otherwise noted.



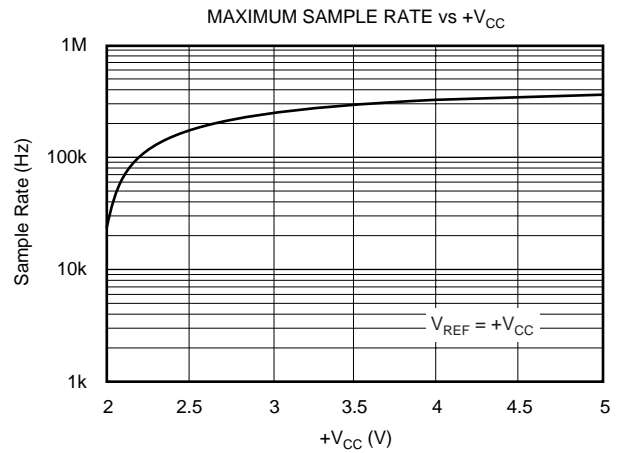
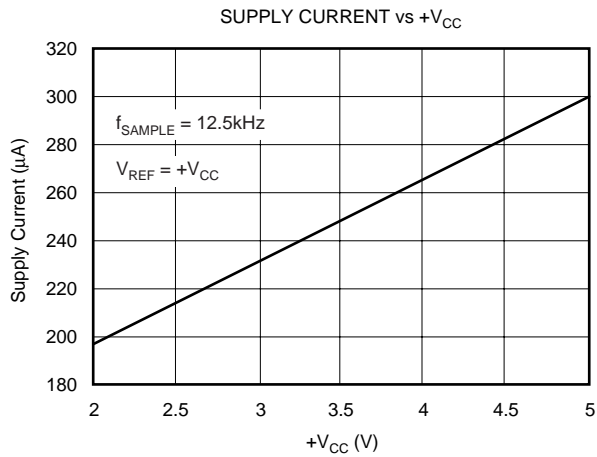
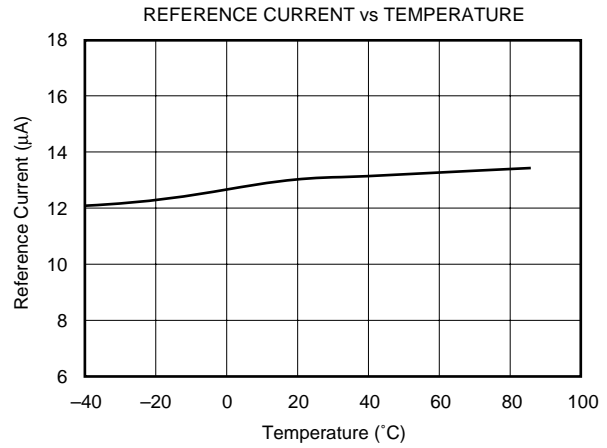
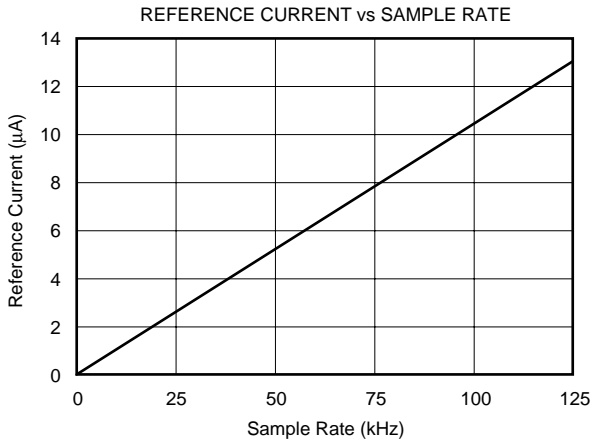
TYPICAL PERFORMANCE CURVES: +2.7V (CONT)

At $T_A = +25^\circ\text{C}$, $+V_{CC} = +2.7\text{V}$, $V_{REF} = +2.5\text{V}$, $f_{\text{SAMPLE}} = 125\text{kHz}$, and $f_{\text{CLK}} = 16 \cdot f_{\text{SAMPLE}} = 2\text{MHz}$, unless otherwise noted.



TYPICAL PERFORMANCE CURVES (CONT)

At $T_A = +25^\circ\text{C}$, $+V_{CC} = +2.7\text{V}$, $V_{REF} = +2.5\text{V}$, $f_{SAMPLE} = 125\text{kHz}$, and $f_{CLK} = 16 \cdot f_{SAMPLE} = 2\text{MHz}$, unless otherwise noted.



THEORY OF OPERATION

The ADS7844 is a classic successive approximation register (SAR) analog-to-digital (A/D) converter. The architecture is based on capacitive redistribution which inherently includes a sample/hold function. The converter is fabricated on a 0.6µs CMOS process.

The basic operation of the ADS7844 is shown in Figure 1. The device requires an external reference and an external clock. It operates from a single supply of 2.7V to 5.25V. The external reference can be any voltage between 100mV and +V_{CC}. The value of the reference voltage directly sets the input range of the converter. The average reference input current depends on the conversion rate of the ADS7844.

The analog input to the converter is differential and is provided via an eight-channel multiplexer. The input can be provided in reference to a voltage on the COM pin (which is generally ground) or differentially by using four of the eight input channels (CH0 - CH7). The particular configuration is selectable via the digital interface.

| A2 | A1 | A0 | CH0 | CH1 | CH2 | CH3 | CH4 | CH5 | CH6 | CH7 | COM |
|----|----|----|-----|-----|-----|-----|-----|-----|-----|-----|-----|
| 0 | 0 | 0 | +IN | | | | | | | | -IN |
| 1 | 0 | 0 | | +IN | | | | | | | -IN |
| 0 | 0 | 1 | | | +IN | | | | | | -IN |
| 1 | 0 | 1 | | | | +IN | | | | | -IN |
| 0 | 1 | 0 | | | | | +IN | | | | -IN |
| 1 | 1 | 0 | | | | | | +IN | | | -IN |
| 0 | 1 | 1 | | | | | | | +IN | | -IN |
| 1 | 1 | 1 | | | | | | | | +IN | -IN |

TABLE I. Single-Ended Channel Selection (SGL/DIF HIGH).

ANALOG INPUT

Figure 2 shows a block diagram of the input multiplexer on the ADS7844. The differential input of the converter is derived from one of the eight inputs in reference to the COM pin or four of the eight inputs. Table I and Table II show the relationship between the A2, A1, A0, and SGL/DIF control bits and the configuration of the analog multiplexer. The control bits are provided serially via the DIN pin, see the Digital Interface section of this data sheet for more details.

When the converter enters the hold mode, the voltage difference between the +IN and -IN inputs (see Figure 2) is captured on the internal capacitor array. The voltage on the -IN input is limited between -0.2V and 1.25V, allowing the input to reject small signals which are common to both the +IN and -IN input. The +IN input has a range of -0.2V to +V_{CC} + 0.2V.

The input current on the analog inputs depends on the conversion rate of the device. During the sample period, the source must charge the internal sampling capacitor (typi-

| A2 | A1 | A0 | CH0 | CH1 | CH2 | CH3 | CH4 | CH5 | CH6 | CH7 |
|----|----|----|-----|-----|-----|-----|-----|-----|-----|-----|
| 0 | 0 | 0 | +IN | -IN | | | | | | |
| 0 | 0 | 1 | | | +IN | -IN | | | | |
| 0 | 1 | 0 | | | | | +IN | -IN | | |
| 0 | 1 | 1 | | | | | | | +IN | -IN |
| 1 | 0 | 0 | -IN | +IN | | | | | | |
| 1 | 0 | 1 | | | -IN | +IN | | | | |
| 1 | 1 | 0 | | | | | -IN | +IN | | |
| 1 | 1 | 1 | | | | | | | -IN | +IN |

TABLE II. Differential Channel Control (SGL/DIF LOW).

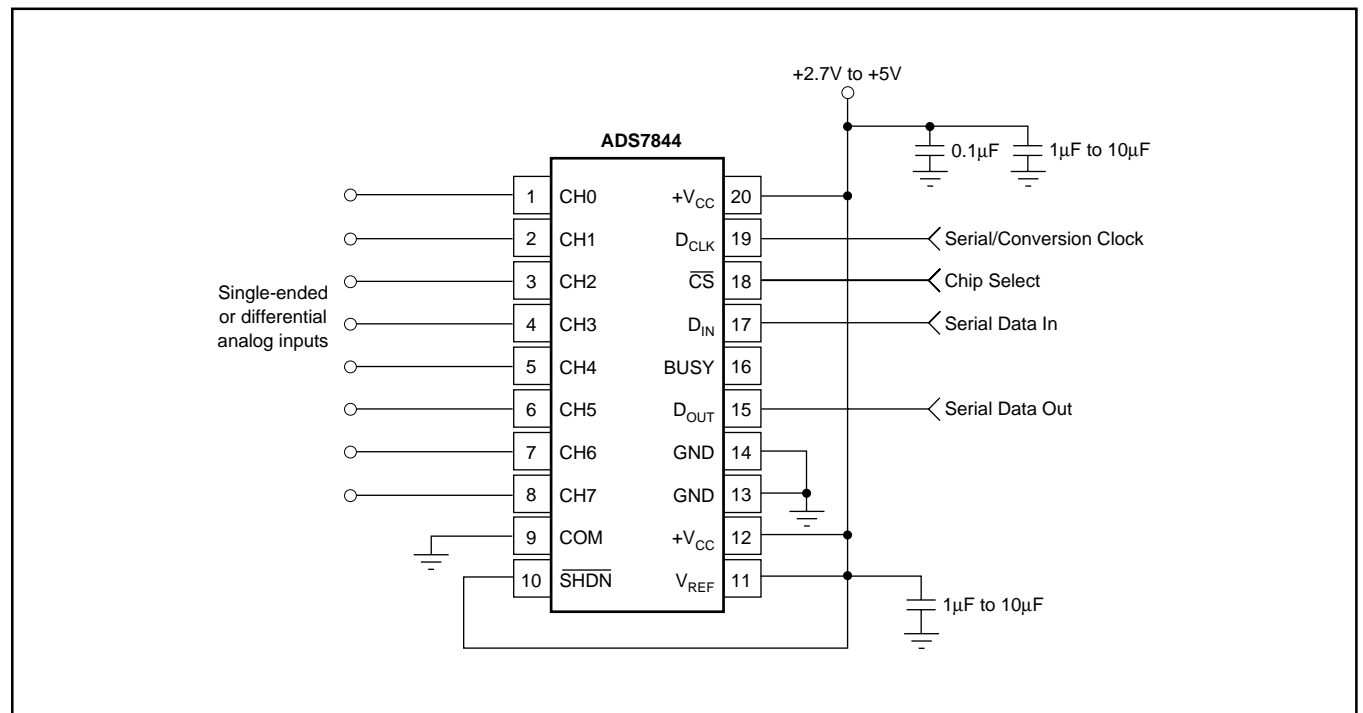


FIGURE 1. Basic Operation of the ADS7844.

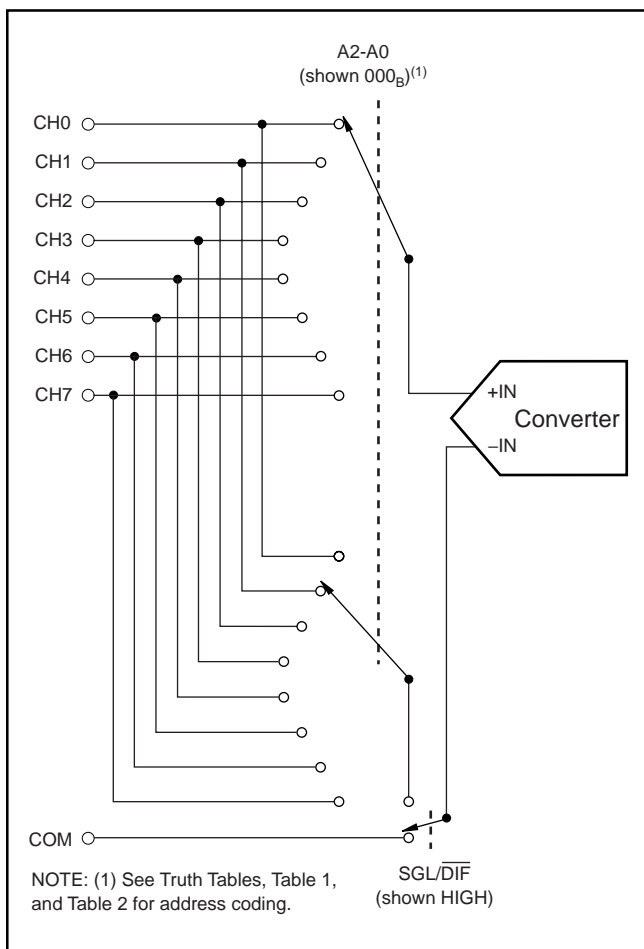


FIGURE 2. Simplified Diagram of the Analog Input.

cally 25pF). After the capacitor has been fully charged, there is no further input current. The rate of charge transfer from the analog source to the converter is a function of conversion rate.

REFERENCE INPUT

The external reference sets the analog input range. The ADS7844 will operate with a reference in the range of 100mV to $+V_{CC}$. Keep in mind that the analog input is the difference between the +IN input and the -IN input as shown in Figure 2. For example, in the single-ended mode, a 1.25V reference, and with the COM pin grounded, the selected input channel (CH0 - CH7) will properly digitize a signal in the range of 0V to 1.25V. If the COM pin is connected to 0.5V, the input range on the selected channel is 0.5V to 1.75V.

There are several critical items concerning the reference input and its wide voltage range. As the reference voltage is reduced, the analog voltage weight of each digital output code is also reduced. This is often referred to as the LSB (least significant bit) size and is equal to the reference voltage divided by 4096. Any offset or gain error inherent in the A/D converter will appear to increase, in terms of LSB size, as the reference voltage is reduced. For example, if the offset of a given converter is 2 LSBs with a 2.5V reference, then it will typically be 10 LSBs with a 0.5V reference. In each case, the actual offset of the device is the same, 1.22mV.

Likewise, the noise or uncertainty of the digitized output will increase with lower LSB size. With a reference voltage of 100mV, the LSB size is 24 μ V. This level is below the internal noise of the device. As a result, the digital output code will not be stable and vary around a mean value by a number of LSBs. The distribution of output codes will be gaussian and the noise can be reduced by simply averaging consecutive conversion results or applying a digital filter.

With a lower reference voltage, care should be taken to provide a clean layout including adequate bypassing, a clean (low noise, low ripple) power supply, a low-noise reference, and a low-noise input signal. Because the LSB size is lower, the converter will also be more sensitive to nearby digital signals and electromagnetic interference.

The voltage into the V_{REF} input is not buffered and directly drives the capacitor digital-to-analog converter (CDAC) portion of the ADS7844. Typically, the input current is 13 μ A with a 2.5V reference. This value will vary by microamps depending on the result of the conversion. The reference current diminishes directly with both conversion rate and reference voltage. As the current from the reference is drawn on each bit decision, clocking the converter more quickly during a given conversion period will not reduce overall current drain from the reference.

DIGITAL INTERFACE

Figure 3 shows the typical operation of the ADS7844's digital interface. This diagram assumes that the source of the digital signals is a microcontroller or digital signal processor with a basic serial interface (note that the digital inputs are over-voltage tolerant up to 5.5V, regardless of $+V_{CC}$). Each communication between the processor and the converter consists of eight clock cycles. One complete conversion can be accomplished with three serial communications, for a total of 24 clock cycles on the DCLK input.

The first eight clock cycles are used to provide the control byte via the DIN pin. When the converter has enough information about the following conversion to set the input multiplexer appropriately, it enters the acquisition (sample) mode. After three more clock cycles, the control byte is complete and the converter enters the conversion mode. At this point, the input sample/hold goes into the hold mode. The next twelve clock cycles accomplish the actual analog-to-digital conversion. A thirteenth clock cycle is needed for the last bit of the conversion result. Three more clock cycles are needed to complete the last byte (DOUT will be LOW). These will be ignored by the converter.

Control Byte

Also shown in Figure 3 is the placement and order of the control bits within the control byte. Tables III and IV give detailed information about these bits. The first bit, the 'S' bit, must always be HIGH and indicates the start of the control byte. The ADS7844 will ignore inputs on the DIN pin until the start bit is detected. The next three bits (A2 - A0) select the active input channel or channels of the input multiplexer (see Tables I and II and Figure 2).

| Bit 7 (MSB) | Bit 6 | Bit 5 | Bit 4 | Bit 3 | Bit 2 | Bit 1 | Bit 0 (LSB) |
|-------------|-------|-------|-------|-------|---------|-------|-------------|
| S | A2 | A1 | A0 | — | SGL/DIF | PD1 | PD0 |

TABLE III. Order of the Control Bits in the Control Byte.

| BIT | NAME | DESCRIPTION |
|-------|-----------|---|
| 7 | S | Start Bit. Control byte starts with first HIGH bit on DIN. A new control byte starts with every 15th clock cycle. |
| 6 - 4 | A2 - A0 | Channel Select Bits. Along with the SGL/DIF bit, these bits control the setting of the multiplexer input as detailed in Tables I and II. |
| 3 | — | Not Used. |
| 2 | SGL/DIF | Single-Ended/Differential Select Bit. Along with bits A2 - A0, this bit controls the setting of the multiplexer input as detailed in Tables I and II. |
| 1 - 0 | PD1 - PD0 | Power-Down Mode Select Bits. See Table V for details. |

TABLE IV. Descriptions of the Control Bits within the Control Byte.

The SGL/DIF bit controls the multiplexer input mode: either single-ended (HIGH) or differential (LOW). In single-ended mode, the selected input channel is referenced to the COM pin. In differential mode, the two selected inputs provide a differential input. See Tables I and II and Figure 2 for more information. The last two bits (PD1 - PD0) select the power-down mode as shown in Table V. If both inputs are HIGH, the device is always powered up. If both inputs are LOW, the device enters a power-down mode between conversions. When a new conversion is initiated, the device will resume normal operation instantly—no delay is needed to allow the device to power up and the very first conversion will be valid.

16-Clocks per Conversion

The control bits for conversion n+1 can be overlapped with conversion 'n' to allow for a conversion every 16 clock cycles, as shown in Figure 4. This figure also shows possible serial communication occurring with other serial peripherals between each byte transfer between the processor and the converter. This is possible provided that each conversion completes within 1.6ms of starting. Otherwise, the signal that has been captured on the input sample/hold may droop enough to affect the conversion result. In addition, the ADS7844 is fully powered while other serial communications are taking place.

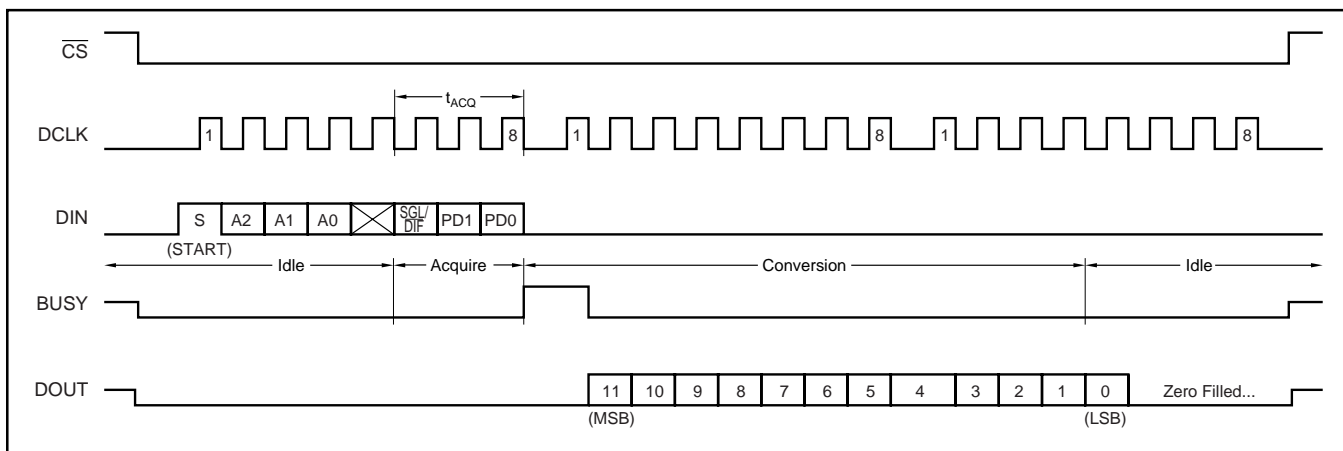


FIGURE 3. Conversion Timing, 24-Clocks per Conversion, 8-Bit Bus Interface. No DCLK delay required with dedicated serial port.

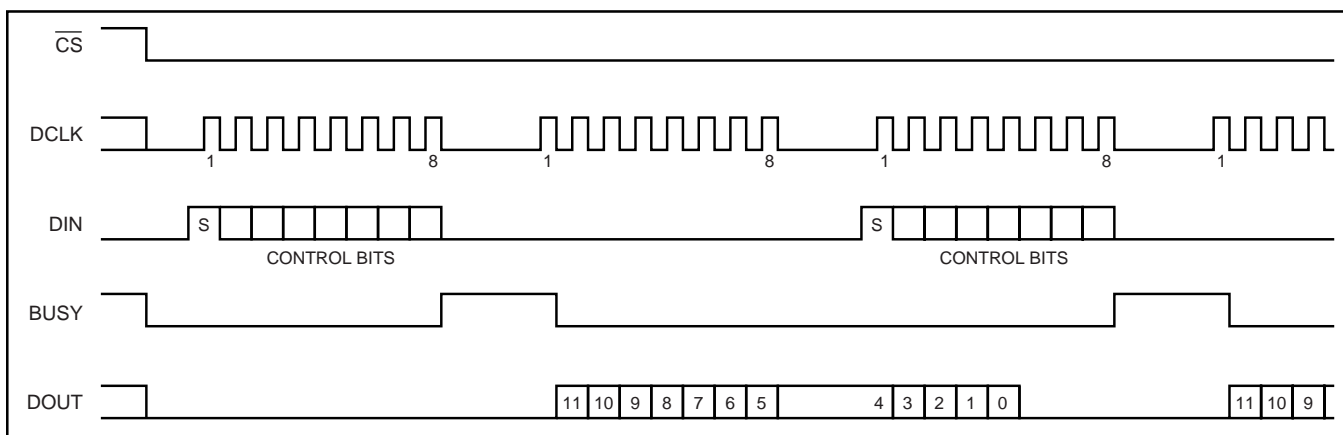


FIGURE 4. Conversion Timing, 16-Clocks per Conversion, 8-bit Bus Interface. No DCLK delay required with dedicated serial port.

| PD1 | PD0 | Description |
|-----|-----|---|
| 0 | 0 | Power-down between conversions. When each conversion is finished, the converter enters a low power mode. At the start of the next conversion, the device instantly powers up to full power. There is no need for additional delays to assure full operation and the very first conversion is valid. |
| 0 | 1 | Reserved for future use. |
| 1 | 0 | Reserved for future use. |
| 1 | 1 | No power-down between conversions, device always powered. |

TABLE V. Power-Down Selection.

Digital Timing

Figure 5 and Tables VI and VII provide detailed timing for the digital interface of the ADS7844.

15-Clocks per Conversion

Figure 6 provides the fastest way to clock the ADS7844. This method will not work with the serial interface of most microcontrollers and digital signal processors as they are generally not capable of providing 15 clock cycles per serial transfer. However, this method could be used with field programmable gate arrays (FPGAs) or application specific integrated circuits (ASICs). Note that this effectively increases the maximum conversion rate of the converter beyond the values given in the specification tables, which assume 16 clock cycles per conversion.

| SYMBOL | DESCRIPTION | MIN | TYP | MAX | UNITS |
|-----------|--|-----|-----|-----|---------|
| t_{ACQ} | Acquisition Time | 1.5 | | | μ s |
| t_{DS} | DIN Valid Prior to DCLK Rising | 100 | | | ns |
| t_{DH} | DIN Hold After DCLK HIGH | 10 | | | ns |
| t_{DO} | DCLK Falling to DOUT Valid | | | 200 | ns |
| t_{DV} | \overline{CS} Falling to DOUT Enabled | | | 200 | ns |
| t_{TR} | \overline{CS} Rising to DOUT Disabled | | | 200 | ns |
| t_{CSS} | \overline{CS} Falling to First DCLK Rising | 100 | | | ns |
| t_{CSH} | \overline{CS} Rising to DCLK Ignored | 0 | | | ns |
| t_{CH} | DCLK HIGH | 200 | | | ns |
| t_{CL} | DCLK LOW | 200 | | | ns |
| t_{BD} | DCLK Falling to BUSY Rising | | | 200 | ns |
| t_{BDV} | \overline{CS} Falling to BUSY Enabled | | | 200 | ns |
| t_{BTR} | \overline{CS} Rising to BUSY Disabled | | | 200 | ns |

TABLE VI. Timing Specifications ($+V_{CC} = +2.7V$ to $3.6V$, $T_A = -40^{\circ}C$ to $+85^{\circ}C$, $C_{LOAD} = 50pF$).

| SYMBOL | DESCRIPTION | MIN | TYP | MAX | UNITS |
|-----------|--|-----|-----|-----|-------|
| t_{ACQ} | Acquisition Time | 900 | | | ns |
| t_{DS} | DIN Valid Prior to DCLK Rising | 50 | | | ns |
| t_{DH} | DIN Hold After DCLK HIGH | 10 | | | ns |
| t_{DO} | DCLK Falling to DOUT Valid | | | 100 | ns |
| t_{DV} | \overline{CS} Falling to DOUT Enabled | | | 70 | ns |
| t_{TR} | \overline{CS} Rising to DOUT Disabled | | | 70 | ns |
| t_{CSS} | \overline{CS} Falling to First DCLK Rising | 50 | | | ns |
| t_{CSH} | \overline{CS} Rising to DCLK Ignored | 0 | | | ns |
| t_{CH} | DCLK HIGH | 150 | | | ns |
| t_{CL} | DCLK LOW | 150 | | | ns |
| t_{BD} | DCLK Falling to BUSY Rising | | | 100 | ns |
| t_{BDV} | \overline{CS} Falling to BUSY Enabled | | | 70 | ns |
| t_{BTR} | \overline{CS} Rising to BUSY Disabled | | | 70 | ns |

TABLE VII. Timing Specifications ($+V_{CC} = +4.75V$ to $+5.25V$, $T_A = -40^{\circ}C$ to $+85^{\circ}C$, $C_{LOAD} = 50pF$).

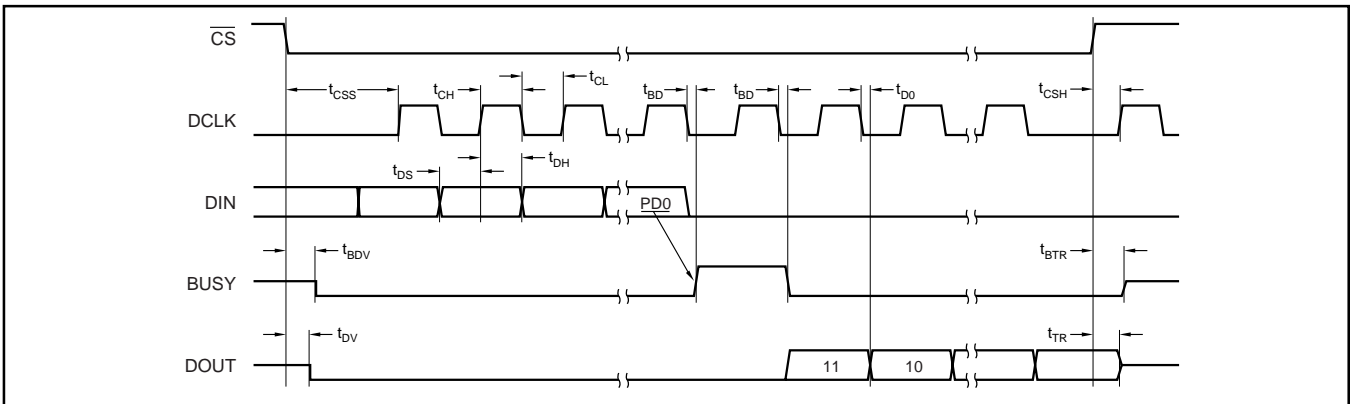


FIGURE 5. Detailed Timing Diagram.

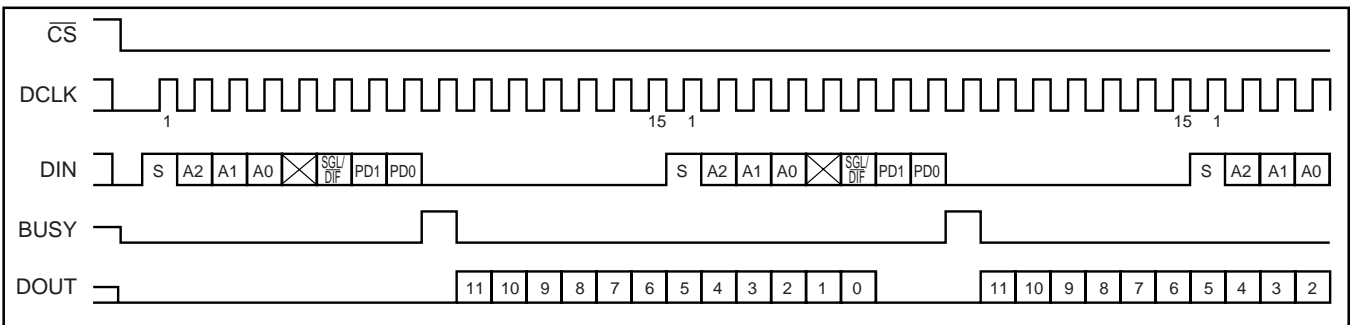


FIGURE 6. Maximum Conversion Rate, 15-Clocks per Conversion.

Data Format

The ADS7844 output data is in straight binary format as shown in Figure 7. This figure shows the ideal output code for the given input voltage and does not include the effects of offset, gain, or noise.

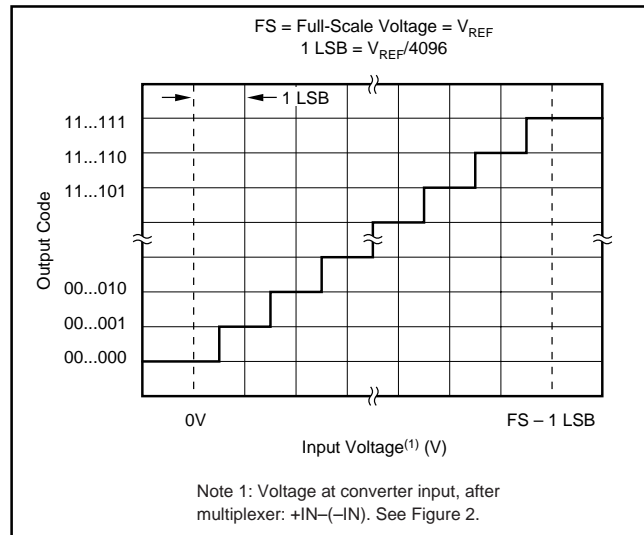


FIGURE 7. Ideal Input Voltages and Output Codes.

POWER DISSIPATION

There are three power modes for the ADS7844: full power (PD1 - PD0 = 11B), auto power-down (PD1 - PD0 = 00B), and shutdown (SHDN LOW). The affects of these modes varies depending on how the ADS7844 is being operated. For example, at full conversion rate and 16 clocks per conversion, there is very little difference between full power mode and auto power-down. Likewise, if the device has entered auto power-down, a shutdown (SHDN LOW) will not lower power dissipation.

When operating at full-speed and 16-clocks per conversion (as shown in Figure 4), the ADS7844 spends most of its time acquiring or converting. There is little time for auto power-down, assuming that this mode is active. Thus, the difference between full power mode and auto power-down is negligible. If the conversion rate is decreased by simply slowing the frequency of the DCLK input, the two modes remain approximately equal. However, if the DCLK frequency is kept at the maximum rate during a conversion, but conversion are simply done less often, then the difference between the two modes is dramatic. Figure 8 shows the difference between reducing the DCLK frequency (“scaling” DCLK to match the conversion rate) or maintaining DCLK at the highest frequency and reducing the number of conversion per second. In the later case, the converter spends an increasing percentage of its time in power-down mode (assuming the auto power-down mode is active).

If DCLK is active and \overline{CS} is LOW while the ADS7844 is in auto power-down mode, the device will continue to dissipate some power in the digital logic. The power can be reduced to a minimum by keeping \overline{CS} HIGH. The differences in supply current for these two cases are shown in Figure 9.

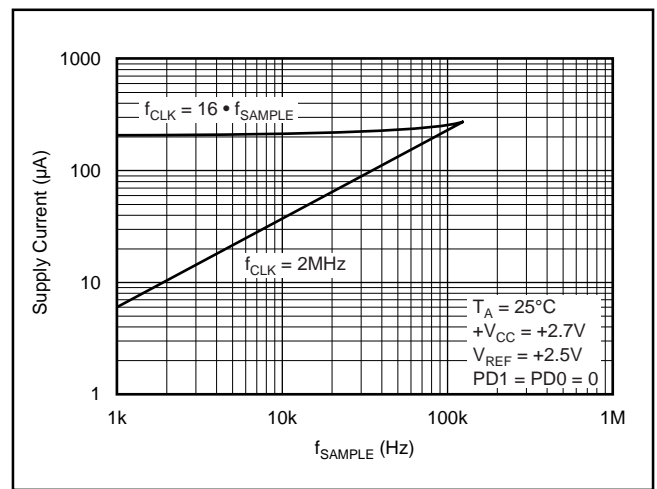


FIGURE 8. Supply Current vs Directly Scaling the Frequency of DCLK with Sample Rate or Keeping DCLK at the Maximum Possible Frequency.

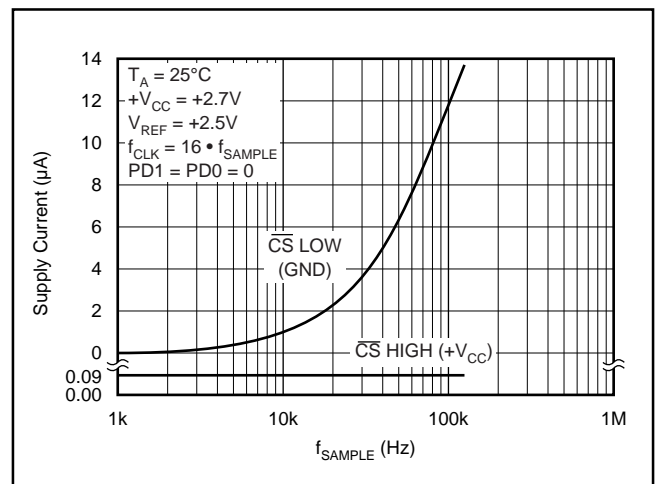


FIGURE 9. Supply Current vs State of \overline{CS} .

Operating the ADS7844 in auto power-down mode will result in the lowest power dissipation, and there is no conversion time “penalty” on power-up. The very first conversion will be valid. \overline{SHDN} can be used to force an immediate power-down.

LAYOUT

For optimum performance, care should be taken with the physical layout of the ADS7844 circuitry. This is particularly true if the reference voltage is low and/or the conversion rate is high.

The basic SAR architecture is sensitive to glitches or sudden changes on the power supply, reference, ground connections, and digital inputs that occur just prior to latching the output of the analog comparator. Thus, during any single conversion for an n-bit SAR converter, there are n “windows” in which large external transient voltages can easily affect the conversion result. Such glitches might originate from switching power supplies, nearby digital logic, and

high power devices. The degree of error in the digital output depends on the reference voltage, layout, and the exact timing of the external event. The error can change if the external event changes in time with respect to the DCLK input.

With this in mind, power to the ADS7844 should be clean and well bypassed. A 0.1 μ F ceramic bypass capacitor should be placed as close to the device as possible. In addition, a 1 μ F to 10 μ F capacitor and a 5 Ω or 10 Ω series resistor may be used to lowpass filter a noisy supply.

The reference should be similarly bypassed with a 0.1 μ F capacitor. Again, a series resistor and large capacitor can be used to lowpass filter the reference voltage. If the reference voltage originates from an op amp, make sure that it can drive the bypass capacitor without oscillation (the series resistor can help in this case). The ADS7844 draws very little current from the reference on average, but it does place larger demands on the reference circuitry over short periods of time (on each rising edge of DCLK during a conversion).

The ADS7844 architecture offers no inherent rejection of noise or voltage variation in regards to the reference input. This is of particular concern when the reference input is tied to the power supply. Any noise and ripple from the supply will appear directly in the digital results. While high frequency noise can be filtered out as discussed in the previous paragraph, voltage variation due to line frequency (50Hz or 60Hz) can be difficult to remove.

The GND pin should be connected to a clean ground point. In many cases, this will be the “analog” ground. Avoid connections which are too near the grounding point of a microcontroller or digital signal processor. If needed, run a ground trace directly from the converter to the power supply entry point. The ideal layout will include an analog ground plane dedicated to the converter and associated analog circuitry.

PACKAGING INFORMATION

| Orderable Device | Status (1) | Package Type | Package Drawing | Pins | Package Qty | Eco Plan (2) | Lead/Ball Finish (6) | MSL Peak Temp (3) | Op Temp (°C) | Device Marking (4/5) | Samples |
|------------------|---------------|--------------|-----------------|------|-------------|-------------------------|-------------------------|----------------------|--------------|-------------------------|-------------------------|
| ADS7844E | ACTIVE | SSOP | DBQ | 20 | 50 | Green (RoHS & no Sb/Br) | CU NIPDAU | Level-2-260C-1 YEAR | | ADS7844E | Samples |
| ADS7844E/2K5 | ACTIVE | SSOP | DBQ | 20 | 2500 | Green (RoHS & no Sb/Br) | CU NIPDAU | Level-2-260C-1 YEAR | -40 to 85 | ADS7844E | Samples |
| ADS7844E/2K5G4 | ACTIVE | SSOP | DBQ | 20 | 2500 | Green (RoHS & no Sb/Br) | CU NIPDAU | Level-2-260C-1 YEAR | -40 to 85 | ADS7844E | Samples |
| ADS7844EB | ACTIVE | SSOP | DBQ | 20 | 50 | Green (RoHS & no Sb/Br) | CU NIPDAU | Level-2-260C-1 YEAR | | ADS7844E B | Samples |
| ADS7844EB/2K5 | ACTIVE | SSOP | DBQ | 20 | 2500 | Green (RoHS & no Sb/Br) | CU NIPDAU | Level-2-260C-1 YEAR | | ADS7844E B | Samples |
| ADS7844EBG4 | ACTIVE | SSOP | DBQ | 20 | 50 | Green (RoHS & no Sb/Br) | CU NIPDAU | Level-2-260C-1 YEAR | | ADS7844E B | Samples |
| ADS7844EG4 | ACTIVE | SSOP | DBQ | 20 | 50 | Green (RoHS & no Sb/Br) | CU NIPDAU | Level-2-260C-1 YEAR | | ADS7844E | Samples |
| ADS7844N | ACTIVE | SSOP | DB | 20 | 70 | Green (RoHS & no Sb/Br) | CU NIPDAU | Level-2-260C-1 YEAR | | ADS7844N | Samples |
| ADS7844N/1K | ACTIVE | SSOP | DB | 20 | 1000 | Green (RoHS & no Sb/Br) | CU NIPDAU | Level-2-260C-1 YEAR | -40 to 85 | ADS7844N | Samples |
| ADS7844N/1KG4 | ACTIVE | SSOP | DB | 20 | 1000 | Green (RoHS & no Sb/Br) | CU NIPDAU | Level-2-260C-1 YEAR | -40 to 85 | ADS7844N | Samples |
| ADS7844NB | ACTIVE | SSOP | DB | 20 | 70 | Green (RoHS & no Sb/Br) | CU NIPDAU | Level-2-260C-1 YEAR | | ADS7844N B | Samples |
| ADS7844NB/1K | ACTIVE | SSOP | DB | 20 | 1000 | Green (RoHS & no Sb/Br) | CU NIPDAU | Level-2-260C-1 YEAR | | ADS7844N B | Samples |
| ADS7844NB/1KG4 | ACTIVE | SSOP | DB | 20 | 1000 | Green (RoHS & no Sb/Br) | CU NIPDAU | Level-2-260C-1 YEAR | | ADS7844N B | Samples |
| ADS7844NBG4 | ACTIVE | SSOP | DB | 20 | 70 | Green (RoHS & no Sb/Br) | CU NIPDAU | Level-2-260C-1 YEAR | | ADS7844N B | Samples |
| ADS7844NG4 | ACTIVE | SSOP | DB | 20 | 70 | Green (RoHS & no Sb/Br) | CU NIPDAU | Level-2-260C-1 YEAR | | ADS7844N | Samples |

(1) The marketing status values are defined as follows:

ACTIVE: Product device recommended for new designs.

LIFEBUY: TI has announced that the device will be discontinued, and a lifetime-buy period is in effect.

NRND: Not recommended for new designs. Device is in production to support existing customers, but TI does not recommend using this part in a new design.

PREVIEW: Device has been announced but is not in production. Samples may or may not be available.

OBSELETE: TI has discontinued the production of the device.

⁽²⁾ **RoHS:** TI defines "RoHS" to mean semiconductor products that are compliant with the current EU RoHS requirements for all 10 RoHS substances, including the requirement that RoHS substance do not exceed 0.1% by weight in homogeneous materials. Where designed to be soldered at high temperatures, "RoHS" products are suitable for use in specified lead-free processes. TI may reference these types of products as "Pb-Free".

RoHS Exempt: TI defines "RoHS Exempt" to mean products that contain lead but are compliant with EU RoHS pursuant to a specific EU RoHS exemption.

Green: TI defines "Green" to mean the content of Chlorine (Cl) and Bromine (Br) based flame retardants meet JS709B low halogen requirements of ≤ 1000 ppm threshold. Antimony trioxide based flame retardants must also meet the ≤ 1000 ppm threshold requirement.

⁽³⁾ MSL, Peak Temp. - The Moisture Sensitivity Level rating according to the JEDEC industry standard classifications, and peak solder temperature.

⁽⁴⁾ There may be additional marking, which relates to the logo, the lot trace code information, or the environmental category on the device.

⁽⁵⁾ Multiple Device Markings will be inside parentheses. Only one Device Marking contained in parentheses and separated by a "~" will appear on a device. If a line is indented then it is a continuation of the previous line and the two combined represent the entire Device Marking for that device.

⁽⁶⁾ Lead/Ball Finish - Orderable Devices may have multiple material finish options. Finish options are separated by a vertical ruled line. Lead/Ball Finish values may wrap to two lines if the finish value exceeds the maximum column width.

Important Information and Disclaimer: The information provided on this page represents TI's knowledge and belief as of the date that it is provided. TI bases its knowledge and belief on information provided by third parties, and makes no representation or warranty as to the accuracy of such information. Efforts are underway to better integrate information from third parties. TI has taken and continues to take reasonable steps to provide representative and accurate information but may not have conducted destructive testing or chemical analysis on incoming materials and chemicals. TI and TI suppliers consider certain information to be proprietary, and thus CAS numbers and other limited information may not be available for release.

In no event shall TI's liability arising out of such information exceed the total purchase price of the TI part(s) at issue in this document sold by TI to Customer on an annual basis.

TAPE AND REEL INFORMATION
REEL DIMENSIONS

TAPE DIMENSIONS


| | |
|----|---|
| A0 | Dimension designed to accommodate the component width |
| B0 | Dimension designed to accommodate the component length |
| K0 | Dimension designed to accommodate the component thickness |
| W | Overall width of the carrier tape |
| P1 | Pitch between successive cavity centers |

TAPE AND REEL INFORMATION

*All dimensions are nominal

| Device | Package Type | Package Drawing | Pins | SPQ | Reel Diameter (mm) | Reel Width W1 (mm) | A0 (mm) | B0 (mm) | K0 (mm) | P1 (mm) | W (mm) | Pin1 Quadrant |
|---------------|--------------|-----------------|------|------|--------------------|--------------------|---------|---------|---------|---------|--------|---------------|
| ADS7844E/2K5 | SSOP | DBQ | 20 | 2500 | 330.0 | 16.4 | 6.5 | 9.0 | 2.1 | 8.0 | 16.0 | Q1 |
| ADS7844EB/2K5 | SSOP | DBQ | 20 | 2500 | 330.0 | 16.4 | 6.5 | 9.0 | 2.1 | 8.0 | 16.0 | Q1 |
| ADS7844N/1K | SSOP | DB | 20 | 1000 | 330.0 | 16.4 | 8.2 | 7.5 | 2.5 | 12.0 | 16.0 | Q1 |
| ADS7844NB/1K | SSOP | DB | 20 | 1000 | 330.0 | 16.4 | 8.2 | 7.5 | 2.5 | 12.0 | 16.0 | Q1 |

TAPE AND REEL BOX DIMENSIONS

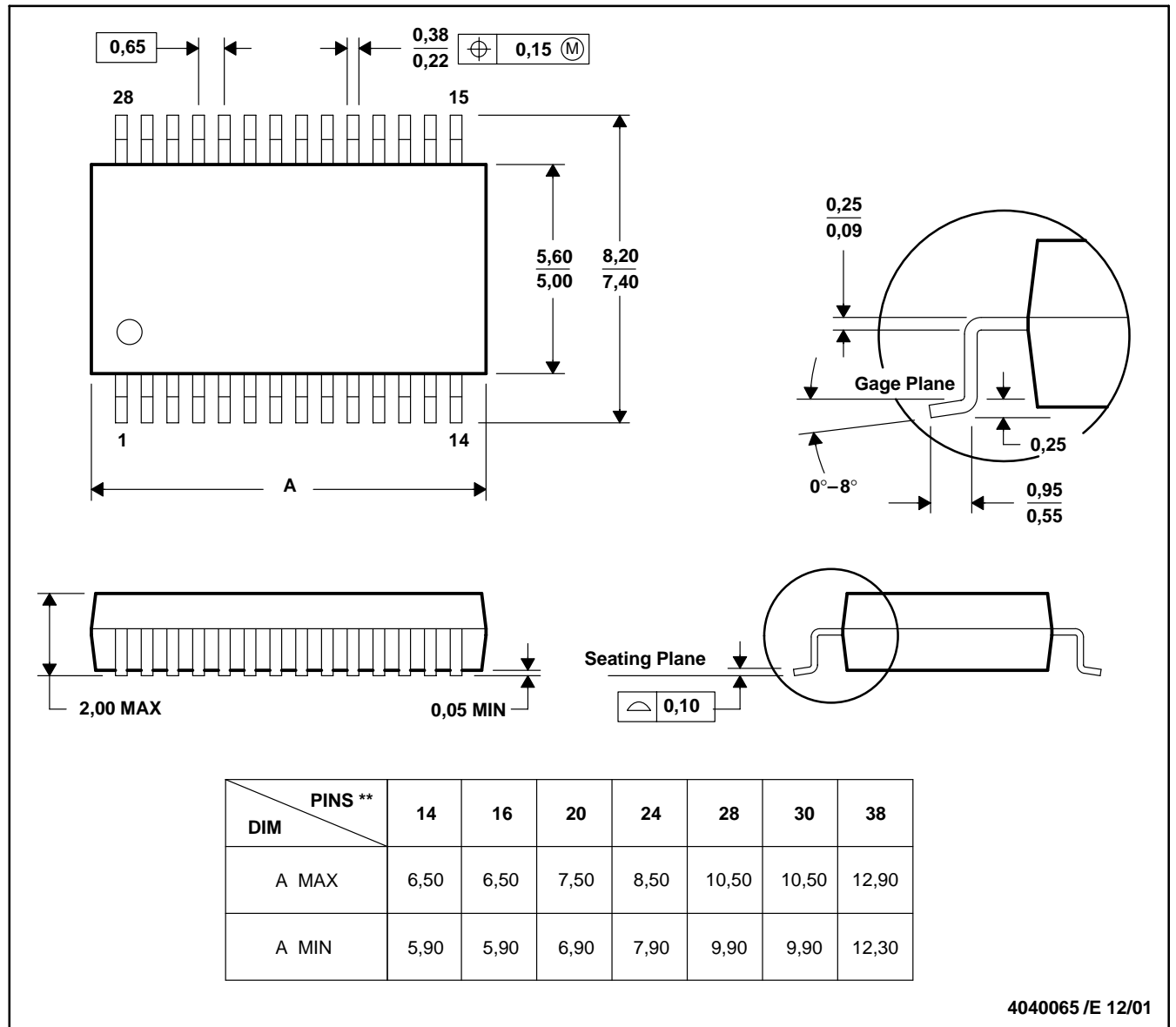

*All dimensions are nominal

| Device | Package Type | Package Drawing | Pins | SPQ | Length (mm) | Width (mm) | Height (mm) |
|---------------|--------------|-----------------|------|------|-------------|------------|-------------|
| ADS7844E/2K5 | SSOP | DBQ | 20 | 2500 | 367.0 | 367.0 | 38.0 |
| ADS7844EB/2K5 | SSOP | DBQ | 20 | 2500 | 367.0 | 367.0 | 38.0 |
| ADS7844N/1K | SSOP | DB | 20 | 1000 | 367.0 | 367.0 | 38.0 |
| ADS7844NB/1K | SSOP | DB | 20 | 1000 | 367.0 | 367.0 | 38.0 |

DB (R-PDSO-G**)

PLASTIC SMALL-OUTLINE

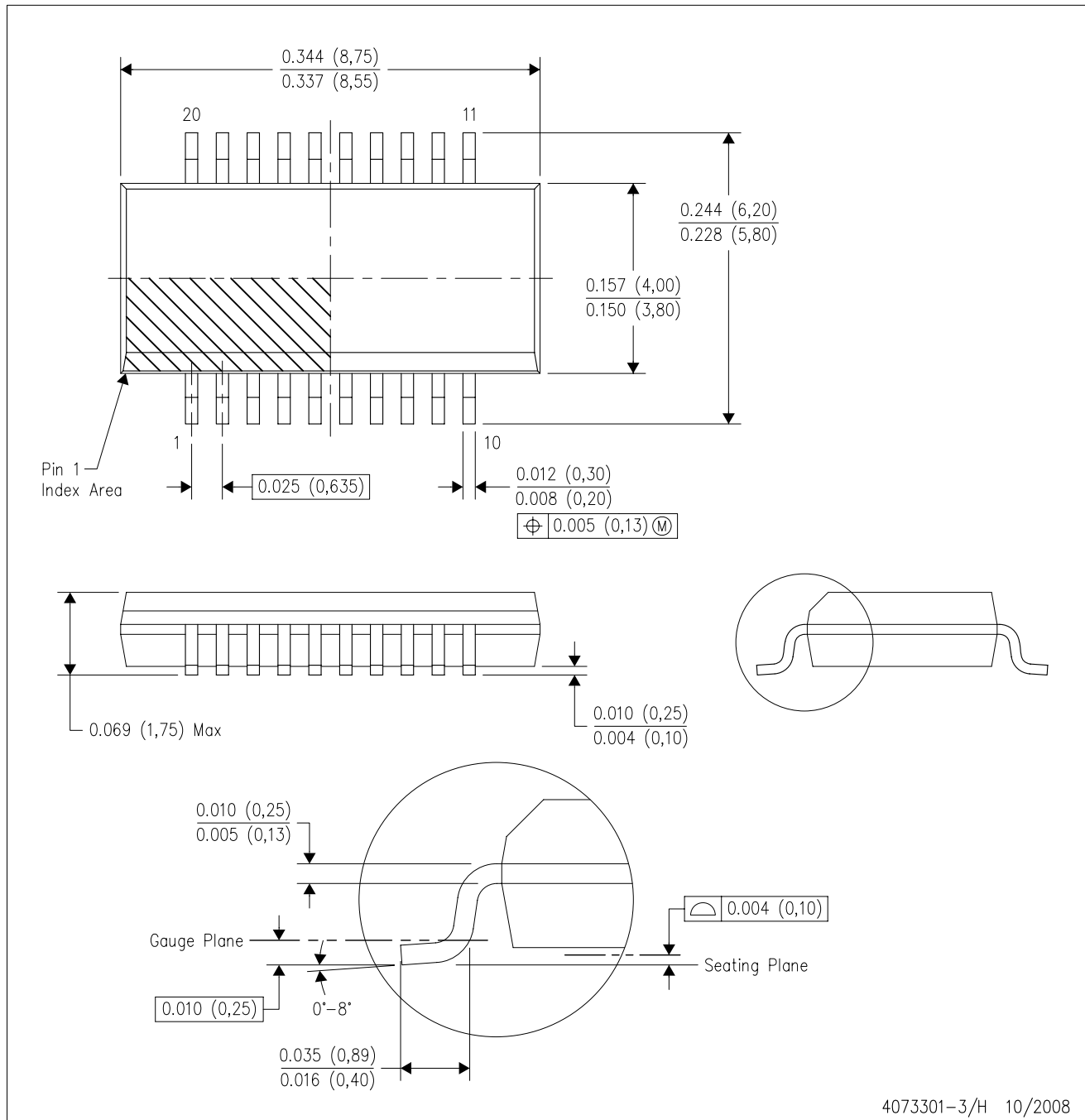
28 PINS SHOWN



- NOTES: A. All linear dimensions are in millimeters.
 B. This drawing is subject to change without notice.
 C. Body dimensions do not include mold flash or protrusion not to exceed 0,15.
 D. Falls within JEDEC MO-150

DBQ (R-PDSO-G20)

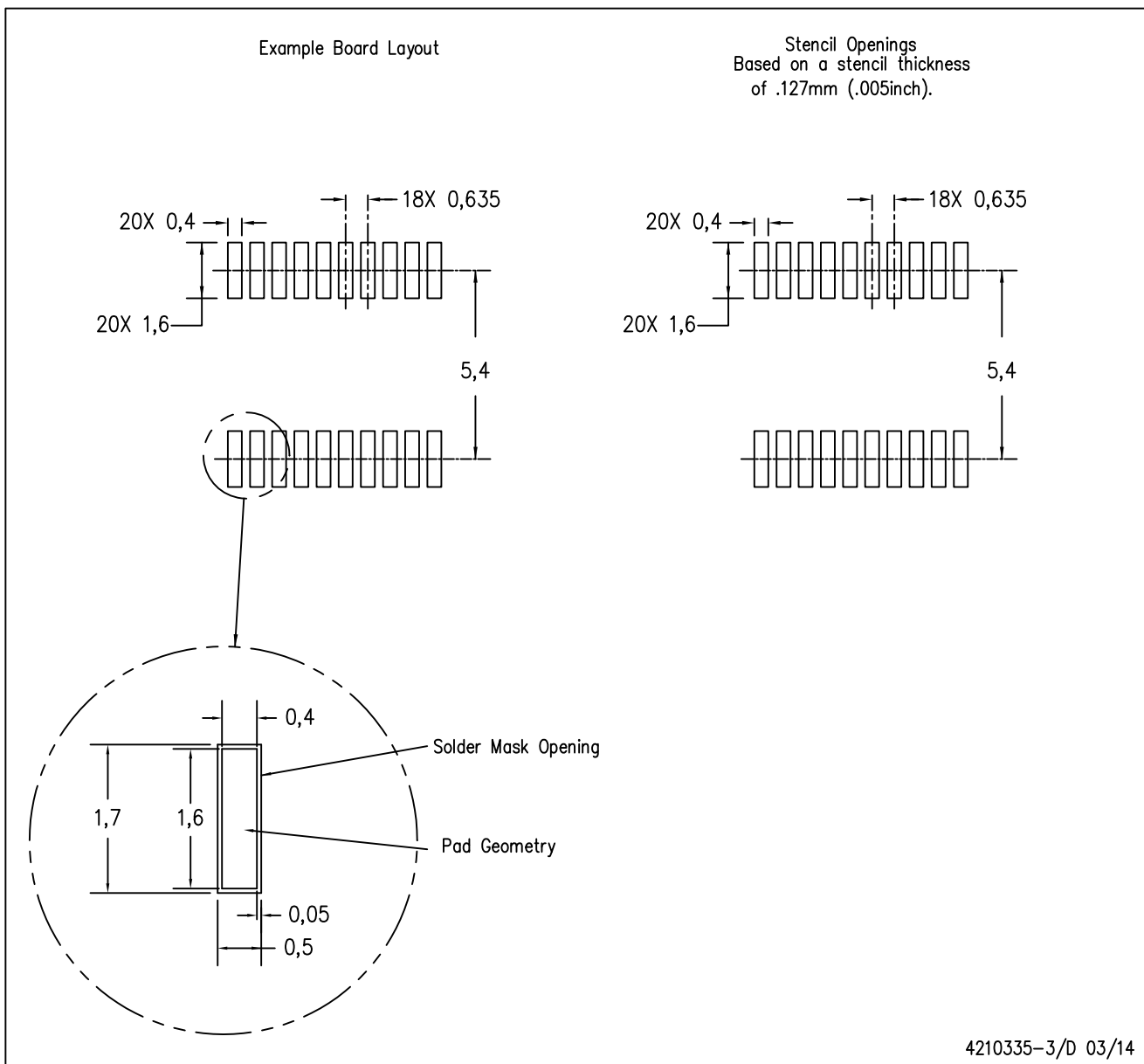
PLASTIC SMALL-OUTLINE PACKAGE



- NOTES:
- A. All linear dimensions are in inches (millimeters).
 - B. This drawing is subject to change without notice.
 - C. Body dimensions do not include mold flash or protrusion not to exceed 0.006 (0,15) per side.
 - D. Falls within JEDEC MO-137 variation AD.

DBQ (R-PDSO-G20)

PLASTIC SMALL OUTLINE PACKAGE



- NOTES:
- A. All linear dimensions are in millimeters.
 - B. This drawing is subject to change without notice.
 - C. Publication IPC-7351 is recommended for alternate designs.
 - D. Laser cutting apertures with trapezoidal walls and also rounding corners will offer better paste release. Customers should contact their board assembly site for stencil design recommendations. Example stencil design based on a 50% volumetric metal load solder paste. Refer to IPC-7525 for other stencil recommendations.

IMPORTANT NOTICE

Texas Instruments Incorporated (TI) reserves the right to make corrections, enhancements, improvements and other changes to its semiconductor products and services per JESD46, latest issue, and to discontinue any product or service per JESD48, latest issue. Buyers should obtain the latest relevant information before placing orders and should verify that such information is current and complete.

TI's published terms of sale for semiconductor products (<http://www.ti.com/sc/docs/stdterms.htm>) apply to the sale of packaged integrated circuit products that TI has qualified and released to market. Additional terms may apply to the use or sale of other types of TI products and services.

Reproduction of significant portions of TI information in TI data sheets is permissible only if reproduction is without alteration and is accompanied by all associated warranties, conditions, limitations, and notices. TI is not responsible or liable for such reproduced documentation. Information of third parties may be subject to additional restrictions. Resale of TI products or services with statements different from or beyond the parameters stated by TI for that product or service voids all express and any implied warranties for the associated TI product or service and is an unfair and deceptive business practice. TI is not responsible or liable for any such statements.

Buyers and others who are developing systems that incorporate TI products (collectively, "Designers") understand and agree that Designers remain responsible for using their independent analysis, evaluation and judgment in designing their applications and that Designers have full and exclusive responsibility to assure the safety of Designers' applications and compliance of their applications (and of all TI products used in or for Designers' applications) with all applicable regulations, laws and other applicable requirements. Designer represents that, with respect to their applications, Designer has all the necessary expertise to create and implement safeguards that (1) anticipate dangerous consequences of failures, (2) monitor failures and their consequences, and (3) lessen the likelihood of failures that might cause harm and take appropriate actions. Designer agrees that prior to using or distributing any applications that include TI products, Designer will thoroughly test such applications and the functionality of such TI products as used in such applications.

TI's provision of technical, application or other design advice, quality characterization, reliability data or other services or information, including, but not limited to, reference designs and materials relating to evaluation modules, (collectively, "TI Resources") are intended to assist designers who are developing applications that incorporate TI products; by downloading, accessing or using TI Resources in any way, Designer (individually or, if Designer is acting on behalf of a company, Designer's company) agrees to use any particular TI Resource solely for this purpose and subject to the terms of this Notice.

TI's provision of TI Resources does not expand or otherwise alter TI's applicable published warranties or warranty disclaimers for TI products, and no additional obligations or liabilities arise from TI providing such TI Resources. TI reserves the right to make corrections, enhancements, improvements and other changes to its TI Resources. TI has not conducted any testing other than that specifically described in the published documentation for a particular TI Resource.

Designer is authorized to use, copy and modify any individual TI Resource only in connection with the development of applications that include the TI product(s) identified in such TI Resource. NO OTHER LICENSE, EXPRESS OR IMPLIED, BY ESTOPPEL OR OTHERWISE TO ANY OTHER TI INTELLECTUAL PROPERTY RIGHT, AND NO LICENSE TO ANY TECHNOLOGY OR INTELLECTUAL PROPERTY RIGHT OF TI OR ANY THIRD PARTY IS GRANTED HEREIN, including but not limited to any patent right, copyright, mask work right, or other intellectual property right relating to any combination, machine, or process in which TI products or services are used. Information regarding or referencing third-party products or services does not constitute a license to use such products or services, or a warranty or endorsement thereof. Use of TI Resources may require a license from a third party under the patents or other intellectual property of the third party, or a license from TI under the patents or other intellectual property of TI.

TI RESOURCES ARE PROVIDED "AS IS" AND WITH ALL FAULTS. TI DISCLAIMS ALL OTHER WARRANTIES OR REPRESENTATIONS, EXPRESS OR IMPLIED, REGARDING RESOURCES OR USE THEREOF, INCLUDING BUT NOT LIMITED TO ACCURACY OR COMPLETENESS, TITLE, ANY EPIDEMIC FAILURE WARRANTY AND ANY IMPLIED WARRANTIES OF MERCHANTABILITY, FITNESS FOR A PARTICULAR PURPOSE, AND NON-INFRINGEMENT OF ANY THIRD PARTY INTELLECTUAL PROPERTY RIGHTS. TI SHALL NOT BE LIABLE FOR AND SHALL NOT DEFEND OR INDEMNIFY DESIGNER AGAINST ANY CLAIM, INCLUDING BUT NOT LIMITED TO ANY INFRINGEMENT CLAIM THAT RELATES TO OR IS BASED ON ANY COMBINATION OF PRODUCTS EVEN IF DESCRIBED IN TI RESOURCES OR OTHERWISE. IN NO EVENT SHALL TI BE LIABLE FOR ANY ACTUAL, DIRECT, SPECIAL, COLLATERAL, INDIRECT, PUNITIVE, INCIDENTAL, CONSEQUENTIAL OR EXEMPLARY DAMAGES IN CONNECTION WITH OR ARISING OUT OF TI RESOURCES OR USE THEREOF, AND REGARDLESS OF WHETHER TI HAS BEEN ADVISED OF THE POSSIBILITY OF SUCH DAMAGES.

Unless TI has explicitly designated an individual product as meeting the requirements of a particular industry standard (e.g., ISO/TS 16949 and ISO 26262), TI is not responsible for any failure to meet such industry standard requirements.

Where TI specifically promotes products as facilitating functional safety or as compliant with industry functional safety standards, such products are intended to help enable customers to design and create their own applications that meet applicable functional safety standards and requirements. Using products in an application does not by itself establish any safety features in the application. Designers must ensure compliance with safety-related requirements and standards applicable to their applications. Designer may not use any TI products in life-critical medical equipment unless authorized officers of the parties have executed a special contract specifically governing such use. Life-critical medical equipment is medical equipment where failure of such equipment would cause serious bodily injury or death (e.g., life support, pacemakers, defibrillators, heart pumps, neurostimulators, and implantables). Such equipment includes, without limitation, all medical devices identified by the U.S. Food and Drug Administration as Class III devices and equivalent classifications outside the U.S.

TI may expressly designate certain products as completing a particular qualification (e.g., Q100, Military Grade, or Enhanced Product). Designers agree that it has the necessary expertise to select the product with the appropriate qualification designation for their applications and that proper product selection is at Designers' own risk. Designers are solely responsible for compliance with all legal and regulatory requirements in connection with such selection.

Designer will fully indemnify TI and its representatives against any damages, costs, losses, and/or liabilities arising out of Designer's non-compliance with the terms and provisions of this Notice.