

## VRLA Rechargeable Battery

# MPL155-12



### FEATURES

- Maintenance free(no water topping-up required)
- No free acid(Non-spillable battery)
- Low self-discharge rate,lower than 3% capacity loss per month
- Can be used in any orientation(excluding used inverted)
- The battery is designed with very lower resistance and exceeding high power performance
- Flame-arrestor is installed to ensure safety
- Absorbent Glass Mat technology for efficient gas recombination






### APPLICATION

- UPS
- Telecom
- Golf-Carts
- Cable TV
- Power station
- Marine

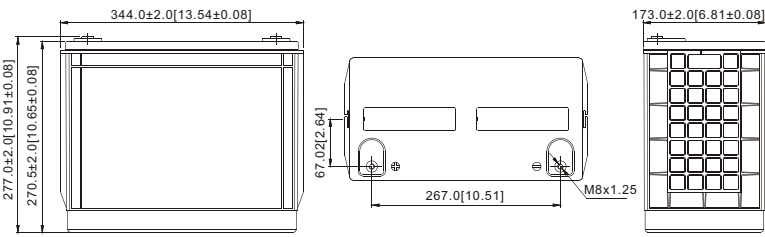
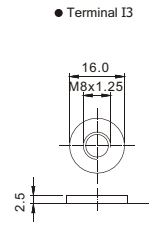


### SPECIFICATIONS

Nominal Voltage	12 V
Nominal Capacity	150Ah @ 10 hour rate F.V.(1.75V/cell)
Approx. Weight	45.5Kg(100.3lbs.)
Terminals	I3
Internal Resistance	≤2.7mΩ (Fully Charged )
Max. Charge Current	45.0 A
Short Circuit Current	3850 A
Operating Temperature Range	Charge : 0°C~50°C(32°F~122°F) Discharge : -20°C~60°C(-4°F~140°F) Storage. : -20°C~50°C(-4°F~122°F)
Container Material	Standard: PP( UL 94-HB) MPL155-12 Optional: Flame Retardant PP(UL 94-V0) MPL155-12FR

- IEC60896-21/22
- JIS C 8704-2
- GB/T 19638.2

DIMENSION(mm/inch)	OUTER DIMENSIONS	TERMINAL TYPE
<ul style="list-style-type: none"> <li>■ Length 344±2.0 (13.54±0.08)</li> <li>■ Width 173±2.0 (6.81±0.08)</li> <li>■ Container Height 270.5±2.0 (10.65±0.08)</li> <li>■ Total Height 277±2.0 (10.91±0.08)</li> </ul>		 <p>Terminal Hardware Initial Torque:I3(10.0Nm±5%)</p>

### Constant power discharge characteristics at 25 °C/77 °F Unit: W

Discharge Time F.V. (V/cell)	5 Min	10 Min	15 Min	20 Min	25 Min	30 Min	40 Min	50 Min	60 Min	90 Min
1.80V	4746	3981	3277	2740	2375	2086	1679	1409	1221.1	868.0
1.75V	5196	4226	3467	2847	2446	2139	1714	1438	1240.0	881.8
1.70V	5612	4400	3586	2921	2494	2173	1738	1455	1253.8	892.1
1.65V	5994	4536	3667	2976	2533	2198	1758	1471	1265.8	899.0
1.60V	6150	4623	3720	3016	2564	2218	1776	1483	1276.2	904.2

### Constant current discharge characteristics at 25 °C/77 °F Unit: A

Discharge Time F.V. (V/cell)	5 Min	10 Min	15 Min	20 Min	25 Min	30 Min	40 Min	50 Min	60 Min	90 Min
1.80V	430	350	284	234	200	174	140	117	102.6	72.9
1.75V	473	375	300	245	208	181	143	121	104.2	74.1
1.70V	516	401	310	251	214	184	146	122	105.4	74.9
1.65V	565	424	319	257	217	188	148	124	106.4	75.6
1.60V	598	446	324	260	220	189	150	126	107.1	76.1

All data and artworks shall be changed without prior notice, BB reserves the right to explain and update the information contained hereinto.

For operation, please refer to the instruction from technical manual.

A/0 REV. May. 2016

Powered by **B.B. Battery Co., Ltd.**