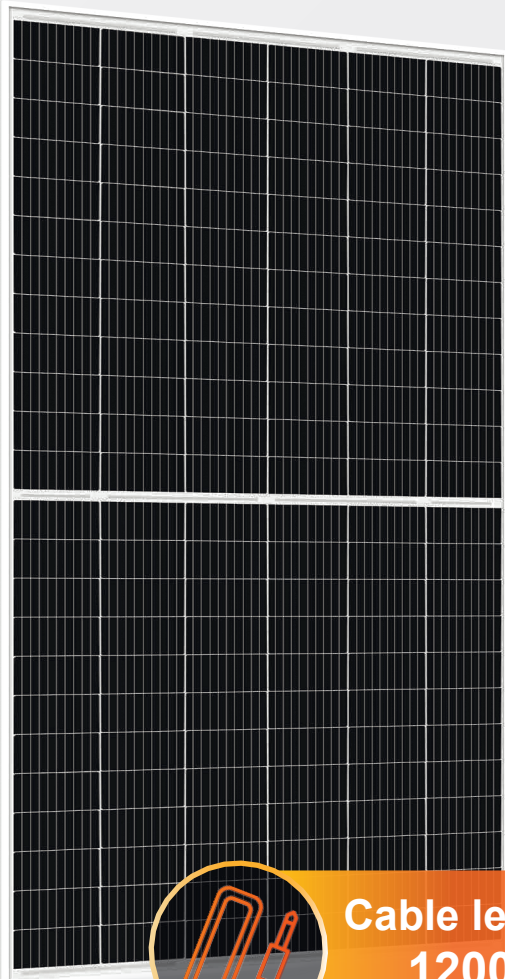


# AXP144-9-156-345



# AXIOMA

ENERGY



Cable length  
1200mm



### 9 Busbar Solar Cell

Stronger current collection ability, Special circuit design with much lower hot spot temperature



### Poly Half-cell Module

Reduced resistance between cells  
Less micro cracks, higher output power



### Double electroluminescence (EL) tests

Carefully inspected before and after lamination to guarantee fault-free modules



### Outstanding mechanical load resistance

3800 Pa wind load, 5400 Pa snow load



### High performance under low light

Works at cloudy, rainy days



### Anti-PID(potential induced degradation)

Passed anti-PID test under 85% damp heat, 85% relative humidity for 96 hours



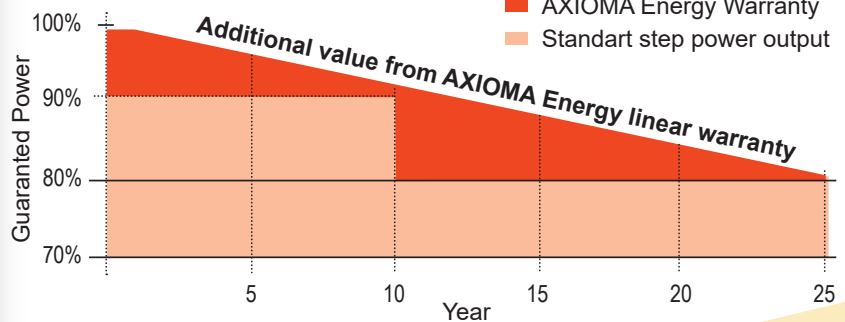
### Positive power tolerance (0~+5W)

25-YEAR

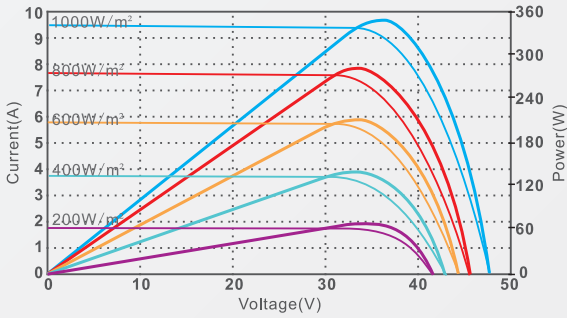
LINEAR WARRANTY

12-YEAR

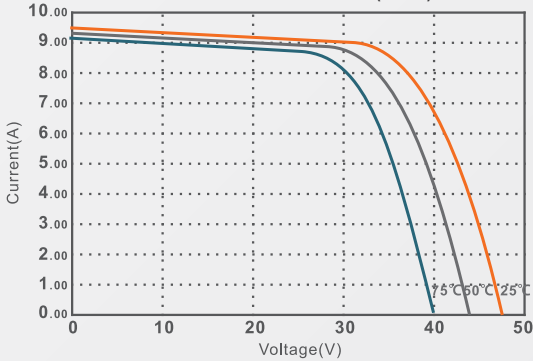
PRODUCT WARRANTY



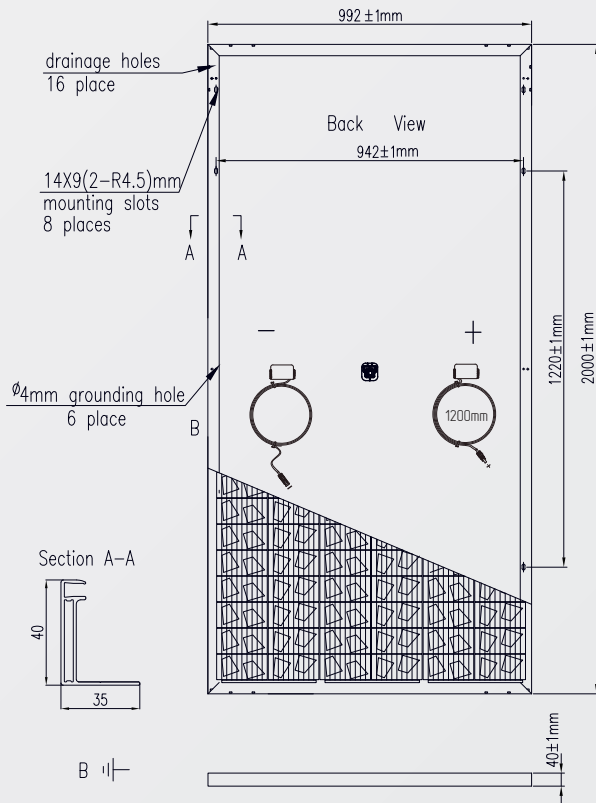
## » I-V CURVE



I-V CURVES OF PV MODULE(345W)



P-V CURVES OF PV MODULE(345W)



Please read the instruction manual in this entirety before handing, installing, and operating AXIOMA ENERGY modules. Due to continuous innovation, research and improvement, the specification is subject to change without prior notice.

## » ELECTRICAL PERFORMANCE

Electrical Parameters Standard Test Conditions

Module Type	AXP144-9-156-340	AXP144-9-156-345	AXP144-9-156-350	
Power Output	Pmax W	340	345	350
Power Tolerance	$\Delta P_{max}$ W	0/+5W		
Module Efficiency	$\eta_m$ %	17,14	17,39	17,64
Voltage at Pmax	Vm V	37,4	37,6	37,8
Current at Pmax	Im A	9,09	9,18	9,26
Open-Circuit Voltage	Voc V	46,4	46,6	46,8
Short-Circuit Current	Isc A	9,45	9,53	9,61

STC: 1000W/m<sup>2</sup> irradiance, 25°C module temperature, AM1.5

## » THERMAL CHARACTERISTICS

Nominal Operating Cell Temperature	NOCT	°C	45±2
Temperature Coefficient of Pmax	$\gamma$	%/°C	-0,390
Temperature Coefficient of Voc	$\beta_{voc}$	%/°C	-0,290
Temperature Coefficient of Isc	$\alpha_{isc}$	%/°C	0,049

## » OPERATING CONDITIONS

Max. System Voltage	1000V/1500V
Max. Series Fuse Rating	15A
Operating Temperature Range	-40°C ~ 85°C
Max static snow load	5400Pa
Max static wind load	3800Pa
Application Class	A

## » CONSTRUCTION MATERIALS

Front Cover(material/type/thickness)	low-iron tempered glass/3.2mm
Cell(quantity/material/type/dimension)	144/polycrystalline/156x78mm
Encapsulant(material)	ethylene vinyl acetate (EVA)
Frame(material/anodization color)	anodized aluminum
Junction Box(protection degree)	IP67
Cable(length/cross-sectional area)	4mm <sup>2</sup> /1200mm
Plug Connector	MC4 compatible

## » GENERAL CHARACTERISTICS

Dimension(L/W/H)	2000x992x40mm
Weight	22,5 kg

## » PACKING CONFIGURATION

Pallet Size(L/W/H)	2040x1120x2460mm
Pallet Weight	1414 kg
Pieces per Pallet	56 pcs
Pieces per Container	638 pcs

## » INTERNATIONAL CERTIFICATES

- TÜV SÜD, TÜV NORD, UL, CE, JET, CEC
- MCS, CQC, IMERTRO, NRE, KS
- ISO9001:2015
- ISO14001:2015
- BS OHSAS 18001:2007