

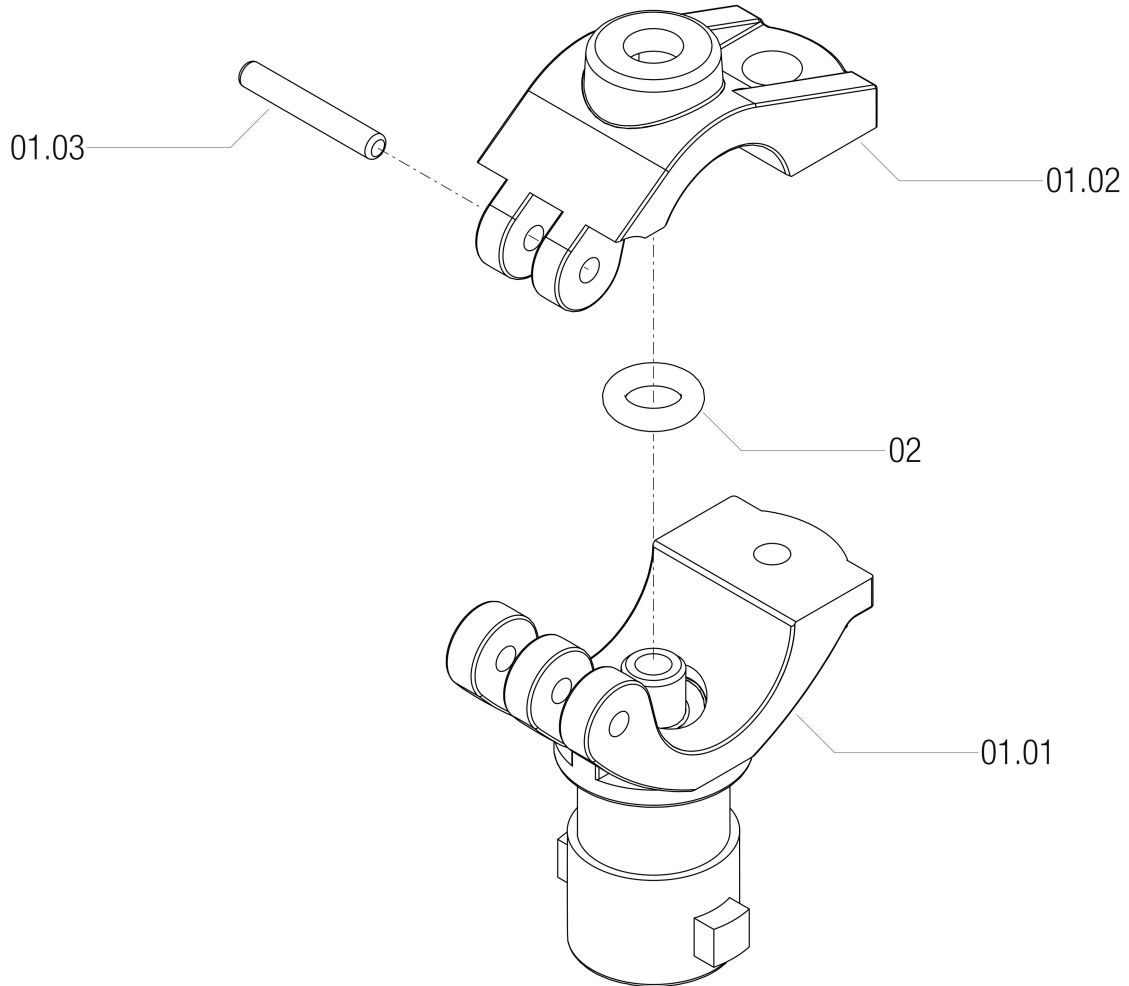
CODE

40075A5

SWIVEL CLAMP NOZZLE HOLDER 25MM F10

NOZZLE HOLDERS SINGLE NOZZLE HOLDER
Hinged clamp type nozzle holder with quick coupling (cap not included)

SPARE PARTS



REFERENCE	CODE	DESCRIPTION	REFERENCE	CODE	DESCRIPTION
01.01	400750.010	SWIVEL NOZZLE HOLDER BODY 3/4" F10	01.03	400530.040	CLAMP PIN
01.02	40055A.020	SWIVEL CLAMP D.25	02	G11057	OR 2,62X9,13 EPDM