

(EN)	INSTRUCTION MANUAL
(IT)	MANUALE D'ISTRUZIONE
(FR)	MANUEL D'INSTRUCTIONS
(ES)	MANUAL DE INSTRUCCIONES
(DE)	BEDIENUNGSANLEITUNG
(RU)	РУКОВОДСТВО ПОЛЬЗОВАТЕЛЯ
(PT)	MANUAL DE INSTRUÇÕES
(EL)	ΕΓΧΕΙΡΙΔΙΟ ΧΡΗΣΗΣ
(NL)	INSTRUCTIEHANDLEIDING
(HU)	HASZNÁLATI UTASÍTÁS
(RO)	MANUAL DE INSTRUCȚIUNI
(SV)	BRUKSANVISNING
(DA)	INSTRUKTIONSMANUAL
(NO)	BRUKERVEILEDNING
(FI)	OHJEKIRJA
(CS)	NÁVOD K POUŽITÍ
(SK)	NÁVOD NA POUŽITIE
(SL)	PRIROČNIK Z NAVODILI ZA UPORABO
(HR-SR)	PRIRUČNIK ZA UPOTREBU
(LT)	INSTRUKCIJŲ KNYGELĖ
(ET)	KASUTUSJUHEND
(LV)	ROKASGRĀMATA
(BG)	РЪКОВОДСТВО С ИНСТРУКЦИИ
(PL)	INSTRUKCJA OBSŁUGI
(AR)	دليل التشغيل



▶ (EN)	<i>Spot welder</i>
▶ (IT)	<i>Puntatrice</i>
▶ (FR)	<i>Poste de soudage par points</i>
▶ (ES)	<i>Soldadora por puntos</i>
▶ (DE)	<i>Punktschweißmaschine</i>
▶ (RU)	<i>Аппарат для точечной сварки</i>
▶ (PT)	<i>Aparelho de soldar por pontos</i>
▶ (EL)	<i>Πόντρα</i>
▶ (NL)	<i>Puntlasmachine</i>
▶ (HU)	<i>Ponthegesztő</i>
▶ (RO)	<i>Aparat de sudură în puncte</i>
▶ (SV)	<i>Punktsvets</i>
▶ (DA)	<i>Punktsvejsmaskine</i>
▶ (NO)	<i>Punktesveiseapparat</i>
▶ (FI)	<i>Pistehitsauslaite</i>
▶ (CS)	<i>Bodovačka</i>
▶ (SK)	<i>Bodovačka</i>
▶ (SL)	<i>Točkalnik</i>
▶ (HR-SR)	<i>Stroj za točkasto varenje</i>
▶ (LT)	<i>Taškinio suvirinimo aparatas</i>
▶ (ET)	<i>Punktkeevitusseade</i>
▶ (LV)	<i>Punktmetināšanas aparāts</i>
▶ (BG)	<i>Апарат за точково заваряване</i>
▶ (PL)	<i>Spawarka punktowa</i>
▶ (AR)	<i>آلة لحام بالتدريس</i>



Table with 4 columns: (EN) EXPLANATION OF DANGER, MANDATORY AND PROHIBITION SIGNS. (IT) LEGENDA SEGNALI DI PERICOLO, D'OBBLIGO E DIVIETO. (FR) LEGENDE SIGNAUX DE DANGER, D'OBBLIGATION ET D'INTERDICTION. (ES) LEYENDA SEÑALES DE PELIGRO, DE OBLIGACION Y PROHIBICIÓN. (DE) LEGENDE DER GEFÄHREN-, GEBÖTS- UND VERBOTSZEICHEN. (RU) ЛЕГЕНДА СИМВОЛОВ БЕЗОПАСНОСТИ, ОБЯЗАТЕЛЬНОСТИ И ЗАПРЕТА. (PT) LEGENDA DOS SINAIS DE PERIGO, OBRIGAÇÃO E PROIBIDO. (EL) ΛΕΞΑΝΤΑ ΣΗΜΑΤΩΝ ΚΙΝΔΥΝΟΥ, ΥΠΟΧΡΕΩΣΗΣ ΚΑΙ ΑΠΑΓΟΡΕΥΣΗΣ. (NL) LEGENDE SIGNALEN VAN GEVAAR, VERPLICHTING EN VERBOD. (HU) A VESZÉLY, KÖTELEZÉSTÉS ÉS TILTÁS JELEZÉSEINEK FELÍRATAI. (RO) LEGENDA ÎNCĂLTOARE DE AVERTIZARE A PERICOLELOR, DE OBLIGARE ȘI DE INTERZICERE. (SV) BILDTEXT SYMBOLER FÖR FARA, PÅBUD OCH FÖRBUD. (DA) OVERSIGT OVER FARE, PLIGT OG FORBUDSSIGNALER. (NO) SIGNALERINGSTEKST FOR FARE, FORPLIKTELSER OG FORBUD. (FI) VARIOTUS, VELVOITUS, JA KIELTOMERKIT. (CS) VYSVĚTLIVKY K SIGNÁLUM NEBEZPEČÍ, PŘÍKAZŮM A ZÁKAZŮM. (SK) VYSVĚTLIVKY K SIGNÁLUM NEBEZPEČENSTVA, PŘÍKAZOM A ZÁKAZOM. (SL) LEGENDA SIGNALOV ZA NEVARNOST, ZA PREDPISANO IN PREPOVEDANO. (HR-SR) LEGENDA OZNAKA OPASNOSTI, OBAVEZA I ZABRANA. (LT) PAVOJŲAUS, PRIVALOMŲŲ IR DRAUDŽIAMŲŲ ŽENKLŲ PAAIŠKINIMAS. (ET) OHUD, KOHUSTUSED JA KEELUS. (LV) BĪSTĀMĀBŪ, PIENĀKŪMU UN AIZLIEGUMA ZĪMĪJU PASKAIDROJUMI. (BG) ЛЕГЕНДА НА ЗНАЦИТЕ ЗА ОПАСНОСТ, ЗАДЪЛЖИТЕЛНО И ЗА ЗАБРАНА. (PL) OBJAŚNIENIA ZNAKÓW OSTRZEŻAWCZYCH, NAKAZU I ZAKAZU. (AR) مفاتيح رموز الخطر والإلزام وال حظر

Table with 2 columns: (EN) DANGER OF ELECTRIC SHOCK... (AR) خطر الصدمة الكهربائية... (EN) DANGER OF WELDING FUMES... (AR) خطر أذنة اللحام... (EN) DANGER OF EXPLOSION... (AR) خطر الانفجار... (EN) WEARING PROTECTIVE CLOTHING IS COMPULSORY... (AR) الإلتزام بارتداء الملابس الواقية... (EN) WEARING PROTECTIVE GLOVES IS COMPULSORY... (AR) الإلتزام بارتداء القفازات الواقية... (EN) DANGER OF ULTRAVIOLET RADIATION FROM WELDING... (AR) خطر التعرض للأشعة تحت البنفسجية الناتجة عن اللحام... (EN) DANGER OF FIRE... (AR) خطر التسبب في إندلاع حريق... (EN) DANGER OF BURNS... (AR) خطر التعرض لحروق... (EN) DANGER OF STRONG MAGNETIC FIELD... (AR) خطر حقول مغناطيسية كثيفة... (EN) DANGER OF NON-IONISING RADIATION... (AR) خطر التعرض لأشعاعات غير مؤينة... (EN) GENERAL HAZARD... (AR) خطر عام... (EN) DO NOT USE THE HANDLE TO HANG THE WELDING MACHINE... (AR) يحظر استخدام المقبض كوسيلة لتعليق أداة اللحام... (EN) EYE PROTECTIONS MUST BE WORN... (AR) الإلتزام بارتداء نظارات واقية... (EN) NO ENTRY FOR UNAUTHORISED PERSONNEL... (AR) يحظر دخول الأشخاص الغير مصرح لهم

	INSTRUCTIONS FOR USE AND MAINTENANCEpag. 5 WARNING! BEFORE USING THE WELDING MACHINE READ THE INSTRUCTION MANUAL CAREFULLY!	EN
	ISTRUZIONI PER L'USO E LA MANUTENZIONEpag. 08 ATTENZIONE! PRIMA DI UTILIZZARE LA SALDATRICE LEGGERE ATTENTAMENTE IL MANUALE DI ISTRUZIONE!	IT
	INSTRUCTIONS D'UTILISATION ET D'ENTRETIENpag. 11 ATTENTION! AVANT TOUTE UTILISATION DU POSTE DE SOUDAGE, LIRE ATTENTIVEMENT LE MANUEL D'INSTRUCTIONS!	FR
	INSTRUCCIONES PARA EL USO Y MANTENIMIENTOpág. 14 ATENCIÓN! ANTES DE UTILIZAR LA SOLDADORA LEER ATENTAMENTE EL MANUAL DE INSTRUCCIONES!	ES
	BETRIEBS- UND WARTUNGSANLEITUNGs. 17 ACHTUNG! VOR GEBRAUCH DER SCHWEISSMASCHINE LESEN SIE BITTE SORGFÄLTIG DIE BETRIEBSANLEITUNG!	DE
	ИНСТРУКЦИИ ПО РАБОТЕ И ТЕХОБСЛУЖИВАНИЮстр. 20 ВНИМАНИЕ! ПЕРЕД ТЕМ, КАК ИСПОЛЬЗОВАТЬ МАШИНУ, ВНИМАТЕЛЬНО ПРОЧИТАТЬ РУКОВОДСТВО ПОЛЬЗОВАТЕЛЯ!	RU
	INSTRUÇÕES DE USO E MANUTENÇÃOpág. 23 CUIDADO! ANTES DE UTILIZAR A MÁQUINA DE SOLDA LER CUIDADOSAMENTE O MANUAL DE INSTRUÇÕES !	PT
	ΟΔΗΓΙΕΣ ΧΡΗΣΗΣ ΚΑΙ ΣΥΝΤΗΡΗΣΗΣσελ. 26 ΠΡΟΣΟΧΗ! ΠΡΙΝ ΧΡΗΣΙΜΟΠΟΙΗΣΕΤΕ ΤΟ ΣΥΓΚΟΛΛΗΤΗ ΔΙΑΒΑΣΤΕ ΠΡΟΣΕΚΤΙΚΑ ΤΟ ΕΓΧΕΙΡΙΔΙΟ ΧΡΗΣΗΣ!	EL
	INSTRUCTIES VOOR HET GEBRUIK EN HET ONDERHOUDpag. 29 OPGELET! VOORDAT MEN DE LASMACHINE GEBRUIKT MOET MEN AANDACHTIG DE INSTRUCTIEHANDLEIDING LEZEN!	NL
	HASZNÁLATI UTASÍTÁSOK ÉS KARBANTARTÁSI SZABÁLYOKoldal 32 FIGYELEM: A HEGESZTŐGÉP HASZNÁLATÁNAK MEGKEZDÉSE ELŐTT OLVASSA EL FIGYELMESEN A HASZNÁLATI UTASÍTÁST!	HU
	INSTRUCȚIUNI DE FOLOSIRE ȘI ÎNTREȚINEREpag. 35 ATENȚIE: CITIȚI CU ATENȚIE ACEST MANUAL DE INSTRUCȚIUNI ÎNAINTE DE FOLOSIREA APARATULUI DE SUDURĂ!	RO
	INSTRUKTIONER FÖR ANVÄNDNING OCH UNDERHÅLLsid. 38 VIKTIGT! LÄS BRUKSANVISNINGEN NOGGRANT INNAN NI ANVÄNDER SVETSEN!	SV
	BRUGS- OG VEDLIGEHOLDELSERVEJLEDNINGsd. 41 GIV AGT! LÆS BRUGERVEJLEDNINGEN OMHYGGELIGT, FØR MASKINEN TAGES I BRUG!	DA
	INSTRUKSER FOR BRUK OG VEDLIKEHOLDs. 44 ADVARSEL! FØR DU BRUKER SVEISEBRENNEREN MÅ DU LESE BRUKERVEILEDNINGEN NØYE!	NO
	KÄYTTÖ- JA HUOLTO-OHJEETs. 47 HUOM! ENNEN HITSAUSKONEEN KÄYTTÖÄ LUE HUOLELLISESTI KÄYTTÖOHJEKIRJA!	FI
	NÁVOD K POUŽITÍ A ÚDRŽBĚstr. 50 UPOZORNĚNÍ: PŘED POUŽITÍM SVAŘOVACÍHO PŘÍSTROJE SI POZORNĚ PŘEČTĚTE NÁVOD K POUŽITÍ!	CS
	NÁVOD NA POUŽITIE A ÚDRŽBUstr. 53 UPOZORNENIE: PRED POUŽITÍM ZVÁRACIEHO PŘÍSTROJA SI POZORNE PREČÍTAJTE NÁVOD NA POUŽITIE!	SK
	NAVODILA ZA UPORABO IN VZDRŽEVANJEstr. 56 POZOR: PRED UPORABO VARILNE NAPRAVE POZORNO PREBERITE PRIROČNIK Z NAVODILI ZA UPORABO!	SL
	UPUTSTVA ZA UPOTREBU I SERVISIRANJEstr. 59 POZOR: PRIJE UPOTREBE STROJA ZA VARENJE POTREBNO JE PAŽLJIVO PROČITATI PRIRUČNIK ZA UPOTREBU!	HR SR
	EKSPLOATAVIMO IR PRIEŽIŪROS INSTRUKCIJOSpsl. 62 DĖMESIO: PRIEŠ NAUDOJANT SUVIRINIMO APARATĄ, ATIDŽIAI PERSKAITYTI INSTRUKCIJŲ KNYGELE!	LT
	KASUTUSJUHENDID JA HOOLDUSlk. 65 TÄHELEPANU: ENNE KEEVITUSAPARAADI KASUTAMIST LUGEGE KASUTUSJUHISET TÄHELEPANELIKULT LÄBI!	ET
	IZMANTOŠANAS UN TEHNISKĀS APKOPES ROKASGRĀMATAlpp. 68 UZMANĪBU: PIRMS METINĀŠANAS APARĀTA IZMANTOŠANAS UZMANĪGI IZLASIET ROKASGRĀMATU!	LV
	ИНСТРУКЦИИ ЗА УПОТРЕБА И ПОДДРЪЖКАстр. 71 ВНИМАНИЕ: ПРЕДИ ДА ИЗПОЛЗВАТЕ ЕЛЕКТРОЖЕНА, ПРОЧЕТЕТЕ ВНИМАТЕЛНО РЪКОВОДСТВОТО С ИНСТРУКЦИИ ЗА ПОЛЗВАНЕ.	BG
	INSTRUKCJE OBSŁUGI I KONSERWACJIstr. 74 UWAGA: PRZED ROZPOCZĘCIEM SPAWANIA NALEŻY UWAŻNIE PRZECZYTAĆ INSTRUKCJĘ OBSŁUGI!	PL
	تعليمات للاستخدام والصيانةصفحة 77 إتبه! أقرأ بعناية دليل الارشادات قبل استخدام آلة اللحام!	AR

(EN) GUARANTEE AND CONFORMITY - (IT) GARANZIA E CONFORMITÀ - (FR) GARANTIE ET CONFORMITÉ - (ES) GARANTÍA Y CONFORMIDAD - (DE) GARANTIE UND KONFORMITÄT - (RU) ГАРАНТИЯ И СООТВЕТСТВИЕ - (PT) GARANTIA E CONFORMIDADE - (EL) ΕΓΓΥΗΣΗ ΚΑΙ ΣΥΜΜΟΡΦΩΣΗ ΣΤΙΣ ΔΙΑΤΑΞΕΙΣ - (NL) GARANTIE EN CONFORMITEIT - (HU) GARANCIA ÉS A JOGSZABÁLYI ELŐÍRÁSOKNAK VALÓ MEGFELELŐSÉG - (RO) GARANȚIE ȘI CONFORMITATE - (SV) GARANTI OCH ÖVERENSSTÄMMELSE - (DA) GARANTI OG OVERENSSTEMMELSE/SERKLÆRING - (NO) GARANTI OG KONFORMITET - (FI) TAKUUS JA VAATIMUSTENMUKAISUUS - (CS) ZÁRUKA A SHODA - (SK) ZÁRUKA A ZHODA - (SL) GARANCIJA IN UDOBJE - (HR-SR) GARANCIJA I SUKLADNOST - (LT) GARANTIJA IR ATITIKTIS - (ET) GARANTII JA VASTAVUS - (LV) GARANTIJA UN ATBILSTĪBA - (BG) ГАРАНЦИЯ И СЪОТВЕТСТВИЕ - (PL) GWARANCJA I ZGODNOŚĆ - (AR) الضمان والتوافق86-88

	page		page
1. GENERAL SAFETY RULES FOR RESISTANCE WELDING	5	6. (SPOT) WELDING	6
2. INTRODUCTION AND GENERAL DESCRIPTION	6	6.1 PRELIMINARY OPERATIONS	6
2.1 INTRODUCTION	6	6.2 ADJUSTING THE PARAMETERS	7
2.2 STANDARD ACCESSORIES:	6	6.2.1 6.9kA Models	7
2.3 OPTIONAL ACCESSORIES	6	6.2.2 Model 5.8kA	7
3. TECHNICAL DATA	6	6.3 PROCEDURE	7
3.1 RATING PLATE (FIG. A)	6	7. MAINTENANCE	7
3.2 OTHER TECHNICAL DATA	6	7.1 ROUTINE MAINTENANCE	7
4. DESCRIPTION OF THE SPOT-WELDER	6	7.2 SPECIAL MAINTENANCE	7
4.1 PRINCIPAL COMPONENTS AND ADJUSTMENTS (FIG. B)	6	7.3 TROUBLESHOOTING	7
4.2 CONTROL PANEL (only for 6.9kA models) (FIG. C)	6		
5. INSTALLATION	6		
5.1 PRELIMINARY OPERATIONS	6		
5.2 LIFTING THE SPOT-WELDER	6		
5.3 POSITION	6		
5.4 CONNECTION TO THE MAIN POWER SUPPLY	6		
5.4.1 Warnings	6		
5.4.2 Plug and socket	6		

EQUIPMENT FOR RESISTANCE WELDING FOR INDUSTRIAL AND PROFESSIONAL USE.

Note: In the following text the term "spot welder" will be used.

1. GENERAL SAFETY RULES FOR RESISTANCE WELDING.

The operator must receive full instructions regarding safe use of the spot welder and must be informed of the risks related to resistance welding procedures, as well as the related safety measures and emergency procedures.



- Electrical installation must comply with health and safety legislations and standards.
 - The spot welder must be connected only and exclusively to a power supply with the neutral conductor connected to the earth.
 - The power supply outlet must be correctly connected to the earth conductor.
 - Do not use cables with worn insulation or loose connections.
 - Use the spot welder in an ambient air temperature ranging from 5°C to 40°C, with relative humidity equal to 50% up to a temperature of 40°C, and 90% for temperatures up to 20°C.
 - Do not use the spot welder in damp or wet conditions or under the rain.
 - The connection of the welding cables and any routine maintenance operations on the arms and/or electrodes must be carried out with the spot welder switched off and disconnected from the electric and pneumatic (if present) power supply networks.
- The same procedure must be respected when connecting to the hydraulic network or a closed circuit cooling unit (water cooled spot welders) and whenever repairs (extraordinary maintenance) are carried out.



- It is forbidden to use the equipment in environments comprising areas classed as being at risk of explosion because of the presence of gas, dust or mist.
- Do not weld containers, receptacles or piping that contain or have contained flammable liquids or gases.
- Do not work on materials cleaned with chlorinated solvents or in the vicinity of such substances.
- Do not weld containers under pressure.
- Remove all flammable substances (e.g. wood, paper, rags etc.) from the working area.
- Allow newly-welded pieces to cool! Do not leave the piece near flammable substances.
- Make sure there is an adequate air exchange or means suitable for removing the welding smoke near the electrodes; a systematic approach for evaluating the welding smoke exposure limits according to composition, concentration and exposure duration is necessary.



- Always wear suitable protection glasses.
- Wear protection gloves and clothing that is suitable for working with resistance welding machines.
- Noise level: If particularly intensive welding operations lead to a daily personal noise exposure (LEP,d) of 85dB(A) or more, the use of suitable personal protection equipment is obligatory.



The passage of the spot welding current generates electromagnetic fields (EMF) around the spot welding circuit. The electromagnetic fields can interfere with some medical equipment (e.g. Pace-makers, respirators, metal prostheses, etc.). Suitable measures must be taken to protect those who use this equipment. As an example, prohibit access to the spot welder use area. This spot welder complies with the requirements of the technical standard for products to be used only and exclusively in industrial environments and for professional purposes. Correspondence with the basic limits regarding human exposure to electromagnetic fields in a domestic environment is not guaranteed.

The operator must follow the procedures given below in order to reduce exposure to electromagnetic fields:

- Fix the two spotting cables (if present) as near to each other as possible.
- Operators must keep their heads and trunks as far away as possible from the spotting circuit.

- Operators must never wind the spotting cables (if present) around their body.
- Operators must not spot weld with their body in the middle of the spotting circuit. Operators must keep both cables on the same side of their body.
- Connect the spot welding current return cable (if present) to the piece to be welded, as close as possible to the join being made.
- Never spot weld near, sitting on, or leaning against the spot welder (minimum distance: 50cm).
- Do not leave ferromagnetic objects near the spot welding circuit.
- Minimum distance:
 - d= 3cm, f= 50cm (Fig. G);
 - d= 3cm, f= 50cm (Fig. H);
 - d= 30cm (Fig. I);
 - d= 20cm (Fig. L) Studter.



- Class A equipment: This spot welder complies with the requirements of the technical standard for products to be used only and exclusively in industrial environments and for professional purposes. Correspondence with the electromagnetic compatibility in domestic buildings and in those directly connected to a low voltage power supply network that supplies buildings for domestic use is not guaranteed.

INTENDED USE

The system must be used for spot welding one or more steel plates with a low carbon content, having a shape and size that varies according to the work to be carried out.



RESIDUAL RISKS
RISK OF CRUSHING THE UPPER LIMBS
DO NOT PLACE HANDS NEAR MOVING PARTS!

- The spot welder operation mode and the variability of shape and size of the piece to be worked do not allow the realization of an integrated protection against the danger of crushing of the upper limbs (fingers, hands, forearms). The risk must be reduced using suitable preventive measures:
- The operator must be an expert on or trained in resistance welding procedures using this type of equipment.
 - A risk evaluation must be performed for each type of work to be carried out; it is necessary to use equipment and masks that support and guide the piece to be worked in order to distance hands from the electrode danger area.
 - When using a portable spot welder: solidly grasp the clamp with both hands placed on the relative handles; always keep hands away from the electrodes.
 - Whenever the shape of the piece allows it, adjust the electrode distance so that the stroke does not exceed 6 mm.
 - Do not allow two or more people to work simultaneously with the same spot welder.
 - People unconnected with the job must not be allowed in the working area.
 - Do not leave the spot welder unattended: in this case it must be disconnected from the mains; with spot welders with pneumatic cylinder operation move the main switch to "O" and lock it with the supplied lock; the key must be removed and kept by the person in charge.
 - Only use electrodes that are recommended for the machine (see spare parts list) without altering their shape.

- **RISK OF BURNING**
Some of the spot welder parts (electrodes - arms and adjacent areas) can reach temperatures of above 65°C: suitable protective clothing must be worn. Allow newly-welded pieces to cool before touching them!

- **RISK OF TOPPLING AND FALLS**
- Place the spot welder on a horizontal surface that can suitably support the mass; constrain the spot welder to the supporting surface (when indicated in the "INSTALLATION" section of this manual). In contrary cases, where the flooring is sloped or broken, or with mobile supporting surfaces, the danger of toppling exists.
- It is forbidden to lift the spot welder, excluding where expressly indicated in the "INSTALLATION" section of this manual.
- When using machines on wheels: disconnect the spot welder from the electric and pneumatic (if present) power supplies before moving the unit to another work area. Pay attention to obstacles and unevenness on the ground (for example cables and piping).

- **UNINTENDED USE**
It is dangerous to use the spot welder for any purpose other than that for which it is intended (see INTENDED USE).



SAFEGUARDS AND SHIELDS

The safeguards and mobile parts of the spot welder casing must be in position, before connecting it to the power supply.

WARNING! Any manual intervention on the accessible mobile parts of the spot welder, for example:

- Replacement of or maintenance on the electrodes
- Adjustment of the arm or electrode positions

MUST BE CARRIED OUT WITH THE SPOT WELDER SWITCHED OFF AND DISCONNECTED FROM THE ELECTRICAL AND PNEUMATIC (if present) POWER SUPPLY.

MAIN SWITCH LOCKED AT "O" WITH LOCK CLOSED AND KEY REMOVED in the models with PNEUMATIC CYLINDER movement).

STORAGE

- Place the machine and its accessories (with or without packaging) in closed areas.
 - The relative humidity of the air must not exceed 80%.
 - The environmental temperature must be between -15°C and 45°C.
- If the machine has a water cooling unit and the environmental temperature is lower than 0°C: add the indicated antifreeze liquid or completely empty the hydraulic circuit and the water tank.
- Always use suitable measures for protecting the machine from humidity, dirt and corrosion.

2. INTRODUCTION AND GENERAL DESCRIPTION

2.1 INTRODUCTION

Portable spot-welder for resistance welding.

The series consists of 3 models:

- **5.8kA:**
Portable spot-welder with electronic timer. Used for precision spot-welding with electronic control of spot-welding time, and electrode force adjustment. Spot welding capacity on low carbon steel sheet (standard arms) up to 1+1 mm thick.
- **6.9kA (230V):**
Portable spot-welder with digital microprocessor control. The most important properties managed by the control panel are:
 - Selection of the thickness of the sheet to be spot-welded.
 - Correction of spot-welding time.
 - Possibility of enabling pulsed welding current.
 - Adjustment of spot-welding force.
 - Spot welding capacity on low carbon steel sheet (standard arms) up to 2+2 mm thick.
- **6.9kA (400V):**
Portable spot-welder with digital microprocessor control. The same features as the 6.9kA (230V) model, but operating with a power supply voltage of 400V(380V-415V).

2.2 STANDARD ACCESSORIES:

The standard spot-welder includes 120 mm arms and standard electrodes.

2.3 OPTIONAL ACCESSORIES

- Electrode arm pairs of different lengths and/or shapes, also in kits of several pairs.
- Trolley for arms: to carry the spot-welder and accessories.

3. TECHNICAL DATA

3.1 RATING PLATE (FIG. A)

The main data relating to use and performance of the spot-welder are summarised on the rating plate and have the following meanings:

- 1- Number of phases and frequency of power supply.
- 2- Power supply voltage.
- 3- Rated mains power with 50% duty cycle.
- 4- Mains power with permanent running (100%).
- 5- Maximum loadless voltage over electrodes.
- 6- Maximum current when electrodes are shorted.
- 7- Maximum electrode force:
- 8- Current to secondary when running permanently (100%).

Note: The rating plate shown is an example to show the meaning of the symbols and numbers; the exact values of the technical specifications for your spot-welder can be found on the rating plate of the spot-welder itself.

3.2 OTHER TECHNICAL DATA

General specifications TAB. 1.
Weight of the spot-welder TAB. 7.

4. DESCRIPTION OF THE SPOT-WELDER

4.1 PRINCIPAL COMPONENTS AND ADJUSTMENTS (FIG.B)

- 1- Electrode force adjustment screw.
- 2- Left/right hand positionable handgrip.
- 3- Hole for eyebolt if used.
- 4- Movable welding arm.
- 5- Fixed welding arm.
- 6- Power supply cable.
- 7- Rating plate.
- 8- Microswitch.
- 9- Spot-welding time adjustment (only on 5.8kA models (FIG. B1)); for 6.9kA models see 4.2: CONTROL PANEL.
- 10- Spot-welding lever.

4.2 CONTROL PANEL (only for 6.9kA models) (FIG. C)

- 1- **Key for correcting spot-welding time.**
adjusts spot-welding time with respect to the factory default setting.
- 2- **Key for selecting sheet thickness.**
selects the thickness of the sheet to be welded.
- 3- **Key for selecting spot-welding mode.**



The welding current is pulsed. Making this selection will improve spot-welding capacity on high yield point sheets or on sheets with special protective film. The length of the pulse is automatic and requires no regulation.



Normal spot welding.

4- LED's for indicating triggering of thermal safeguard.

The two LED's flash alternately, the remaining LED's are off, indicating that the spot-welder is shut down due to overheating; reset is automatic when the temperature returns within the allowed limits.

5. INSTALLATION



WARNING! CARRY OUT ALL INSTALLATION OPERATIONS AND ELECTRICAL AND PNEUMATIC CONNECTIONS WITH THE SPOT-WELDER COMPLETELY SWITCHED OFF AND DISCONNECTED FROM THE POWER SUPPLY OUTLET. THE ELECTRICAL AND PNEUMATIC CONNECTIONS MUST BE MADE ONLY AND EXCLUSIVELY BY AUTHORISED, SKILLED PERSONNEL.

5.1 PRELIMINARY OPERATIONS

Unpack the spot-welder, assemble the separate parts included in the package.

5.2 LIFTING THE SPOT-WELDER

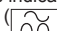

WARNING: None of the spot-welders described in this handbook have lifting devices; when required attach an eyebolt to suspend the spot-welder using the hole made for this purpose (FIG. F (2)), take care to insert the threaded bolt to a depth of no more than 8mm.

5.3 POSITION

The installation area must be sufficiently large and without obstacles, suitable for ensuring safe access to the control panel and to the work area (electrodes). Ensure that there are no obstacles near the cooling air inlets and outlets and that no conductive dusts, corrosive vapour, humidity, etc. can be sucked in. Position the spot welder on a flat surface of homogeneous and compact material that is suitable for supporting its weight (see "technical data") to avoid the danger of toppling or dangerous movements.

5.4 CONNECTION TO THE MAIN POWER SUPPLY

5.4.1 Warnings

- Before making any electrical connection, check the rating plate data on the spot welder to make sure they correspond to the voltage and frequency of the available power supply where the machine is to be installed.
- The spot welder must be connected only and exclusively to a power supply with the neutral conductor connected to earth.
- To guarantee protection against any direct contact always use the differential switches indicated below:
 - Type A () for single-phase machines;
 - Type B () for three-phase machines;
- In order to satisfy the requirements of the EN 61000-3-11 (Flicker) standard we recommend connecting the spot welder to interface points of the main power supply that have an impedance of less than $Z_{max} = 0.179 \text{ ohm}$.
- The spot welder does not fall within the requisites of IEC/EN 61000-3-12 standard. Should it be connected to a public mains system, it is the installer's responsibility to verify that the spot welding machine itself is suitable for connecting to it (if necessary, consult the distribution network company).

5.4.2 Plug and socket

Connect a normalized plug to the power cable (3P+T: only 2 poles are used for the 400V INTERPHASE SYSTEM connection; 2P+T: 230V INTERPHASE connection) of appropriate capacity and prepare a power supply outlet fitted with fuses or an automatic circuit-breaker; the corresponding earth terminal should be connected to the (yellow-green) earth conductor of the power supply.

The power supply connection and the number of poles on the plug, which depend on the distribution system and the power supply voltage of your spot-welder, should correspond with the indications given in the tables (TAB. 2; 3; 4; 5).

The capacity of the plug and specifications of the fuses and circuit-breaker are given in the tables TAB. 1 and TAB. 7.

Should more than one spot-welder be installed, distribute the power cyclically among the three phases in order to obtain a more balanced load; e.g.

230V spot-welders:

- Spot-welder 1: power supply L1-N.
- Spot-welder 2: power supply L2-N.
- Spot-welder 3: power supply L3-N.
- etc.

400V spot-welders:

- Spot-welder 1: power supply L1-L2.
- Spot-welder 2: power supply L2-L3.
- Spot-welder 3: power supply L3-L1.
- etc.



WARNING! Failure to observe the rules given above will invalidate the (class I) safety system provided by the manufacturer causing serious risks to people (e.g. electric shock) and objects (e.g. fire).

6. (SPOT) WELDING

6.1 PRELIMINARY OPERATIONS

Before carrying out any spot-welding operation, it is necessary to carry out a series of checks and tests with the spot-welder disconnected from the main power supply.

- 1- Ensure that the electrical connections are correct, in accordance with the above instructions.
 - 2- Electrode force and alignment
 - lock the lower electrode securely in the most suitable position for the job to be done,
 - loosen the fastening screw on the top electrode so that it is able to slide in the hole in the arm,
 - between the electrodes place a shim with the same thickness as the sheets to be spot-welded,
 - **FIG. D** close lever 2 until the arms are parallel and the electrode tips coincide; insert screw 3 (d.M6) which is supplied into hole 1 and tighten it to lock the lever in a suitable position for adjusting the electrode force,
 - lock the top electrode in the correct position, tightening the screw securely,
 - regulate the force exerted by the electrodes during spot-welding FIG.E, by adjusting the screw (1) fitted for this purpose using the key supplied; the value of the setting, according to the position of the indicator on the graduated scale, is shown in **FIG. F. TAB. 6** shows the value of the force that can be obtained with different arm lengths.
- Turn it clockwise to increase the force in proportion to the increase in sheet thickness but make the adjustment so that the clamp is able to close, and trigger the corresponding microswitch, with very little effort.

6.2 ADJUSTING THE PARAMETERS

6.2.1 6.9kA Models

- Select the thickness of the sheet to be spot-welded using the key (2 - FIG. C) on the spot-welder control panel.
- Select the type of spot-welding (continuous or pulsed) using the key (3 - FIG. C).
When necessary it is possible to correct the default spot-welding time upwards or downwards using key (1- FIG: C).

6.2.2 Model 5.8kA

Regulate the spot-welding time using the potentiometer (9 - FIG.B1) on the back of the spot-welder; using the lowest possible values compatible with correct execution of the spot-weld (see 6.3 PROCEDURE).

6.3 PROCEDURE

To make a spot-weld, power the spot-welder then follow the instructions below:

- place the bottom electrode on the sheet to be spot-welded;
- pull the clamp lever to the end of its stroke, and hence until the microswitch is pressed (8 - FIG.B) so that:
 - a) the sheets close between the electrodes with the preset force;
 - b) the welding current passes for the preset time.
- release the clamp lever shortly afterwards. This delay (holding) improves the mechanical properties of the spot-weld.

When specific experience is lacking we recommend carrying out a number of test welds using sheet of the same thickness and quality as that of the workpiece.

The spot-welding operation is deemed correct when a tensile test causes the spot-welding core to come out of one of the two sheets.



WARNING! The spot welder is equipped with a protective conductor that connects the welding circuit directly to earth.

Weld only if the plates to be joined are insulated against earth!

If they are not, immediately interrupt welding and get a technician who is expert or qualified on this subject to check the system and spot welder protective conductor.

7. MAINTENANCE



WARNING! BEFORE CARRYING OUT MAINTENANCE, MAKE SURE THE SPOT WELDER IS OFF AND DISCONNECTED FROM THE MAINS AND THE PNEUMATIC SUPPLY SOURCE (if present).

With versions operated with pneumatic cylinder, the main switch must be locked at "O" using the supplied lock.

7.1 ROUTINE MAINTENANCE

ROUTINE MAINTENANCE CAN BE CARRIED OUT BY THE OPERATOR.

- electrode tip diameter and profile adaptation/restoration;
- electrode alignment check;
- spring load check (electrode strength);
- spot welder and clamp power cable integrity check
- electrode and arm replacement;

7.2 SPECIAL MAINTENANCE

SPECIAL MAINTENANCE MUST ONLY BE CARRIED OUT BY TECHNICIANS WHO ARE EXPERT OR QUALIFIED IN AN ELECTRIC-MECHANICAL FIELD.



WARNING! BEFORE REMOVING THE SPOT WELDER PANELS AND LOOKING INSIDE IT, MAKE SURE THE SPOT WELDER IS OFF AND DISCONNECTED FROM THE ELECTRIC AND PNEUMATIC (if present) POWER SUPPLIES.

If checks are carried out while the inside of the spot welder is live this could cause serious electric shock due to direct contact with live parts and/or injury due to direct contact with moving parts.

Periodically and as frequently as required by the use and environmental conditions, inspect inside the spot welder and remove the dust and metal particles that have deposited on the transformer, thyristor module, diode module, power terminal board, etc. using a blast of dry compressed air (max. 5 bar).

Do not direct the jet of compressed air onto the electronic circuit board; if necessary clean them with a very soft brush or suitable solvents.

At the same time:

- make sure the wiring does not show signs of insulation damage or loose - oxidised connections.
 - lubricate the joints and the pins.
 - make sure the screws that connect the transformer secondary with the cast arm-holders are tight and that there are no signs of oxidation or overheating; do the same for the arm locking and electrode-holder screws.
 - make sure the screws that connect the transformer secondary with the output bars / wires are tight and that there are no signs of oxidation or overheating.
 - check machine earthing circuit continuity with the welding circuit (electrodes).
 - make sure the transformer secondary screws (if present) are tight and that there are no signs of oxidation or overheating.
 - after having carried out maintenance or repairs, restore the connections and wiring as they were before, making sure they do not come into contact with moving parts or parts that can reach high temperatures. Tie all the wires as they were before, being careful to keep the primary high voltage connections separate from the secondary low voltage ones.
- Use all the original washers and screws when re-closing the structural work.

7.3 TROUBLESHOOTING

SHOULD MACHINE OPERATION NOT BE SATISFACTORY, AND BEFORE CARRYING OUT MORE SYSTEMATIC CHECKS OR CONTACTING YOUR TECHNICAL ASSISTANCE CENTRE, MAKE SURE THAT:

- When the welding lever is activated the microswitch is effectively pressed, giving the control board permission to weld.
- The heat protections have not cut in.
- The elements that are part of the secondary circuit (cast arm-holders – arms – electrode holders – cables) are not inefficient because of loose screws or oxidation.
- The welding parameters (electrode strength and diameter, welding time) are suitable for the work being carried out.

	pag.	pag.
1. SICUREZZA GENERALE PER LA SALDATURA A RESISTENZA.....	8	
2. INTRODUZIONE E DESCRIZIONE GENERALE.....	9	
2.1 PRINCIPALI CARATTERISTICHE.....	9	
2.2 ACCESSORI DI SERIE.....	9	
2.3 ACCESSORI SU RICHIESTA.....	9	
3. DATI TECNICI.....	9	
3.1 TARGA DATI (FIG. A).....	9	
3.2 ALTRI DATI TECNICI.....	9	
4. DESCRIZIONE DELLA PUNTATRICE.....	9	
4.1 COMPONENTI PRINCIPALI E REGOLAZIONI (FIG. B).....	9	
4.2 PANNELLO COMANDI (solo nei modelli 6.9kA) (FIG. C).....	9	
5. INSTALLAZIONE.....	9	
5.1 ALLESTIMENTO.....	9	
5.2 MODALITA' DI SOLLEVAMENTO.....	9	
5.3 UBICAZIONE.....	9	
5.4 COLLEGAMENTO ALLA RETE.....	9	
5.4.1 Avvertenze.....	9	
5.4.2 Spina e presa.....	9	
6. SALDATURA (Puntatura).....	9	
6.1 OPERAZIONI PRELIMINARI.....	9	
6.2 REGOLAZIONE DEI PARAMETRI.....	10	
6.2.1 Modelli 6.9kA.....	10	
6.2.2 Modello 5.8kA.....	10	
6.3 PROCEDIMENTO.....	10	
7. MANUTENZIONE.....	10	
7.1 MANUTENZIONE ORDINARIA.....	10	
7.2 MANUTENZIONE STRAORDINARIA.....	10	
7.3 RICERCA GUASTI.....	10	

APPARECCHIATURE PER SALDATURA A RESISTENZA PER USO INDUSTRIALE E PROFESSIONALE.

Nota: Nel testo che segue verrà impiegato il termine "puntatrice".

1. SICUREZZA GENERALE PER LA SALDATURA A RESISTENZA

L'operatore deve essere sufficientemente edotto sull'uso sicuro della puntatrice ed informato sui rischi connessi ai procedimenti per saldatura a resistenza, alle relative misure di protezione ed alle procedure di emergenza.



- Eseguire l'installazione elettrica secondo le previste norme e leggi antinfortunistiche.
- La puntatrice deve essere collegata esclusivamente ad un sistema di alimentazione con conduttore di neutro collegato a terra.
- Assicurarsi che la presa di alimentazione sia correttamente collegata alla terra di protezione.
- Non utilizzare cavi con isolamento deteriorato o con connessioni allentate.
- Utilizzare la puntatrice ad una temperatura ambiente dell'aria compresa tra 5°C e 40°C e ad una umidità relativa pari al 50% fino a temperature di 40°C e del 90% per temperature fino a 20°C.
- Non utilizzare la puntatrice in ambienti umidi o bagnati o sotto la pioggia.
- La connessione dei cavi di saldatura e qualunque intervento di manutenzione ordinaria sui bracci e/o elettrodi devono essere eseguiti a puntatrice spenta e scollegata dalla rete di alimentazione elettrica e pneumatica (se presente). La stessa procedura dev'essere rispettata per l'allacciamento alla rete idrica o ad una unità di raffreddamento a circuito chiuso (puntatrici raffreddate ad acqua) ed in ogni caso di interventi di riparazione (manutenzione straordinaria).



- E' fatto divieto di utilizzo dell'apparecchiatura in ambienti con zone classificate a rischio di esplosione per la presenza di gas, polveri o nebbie.
- Non saldare su contenitori, recipienti o tubazioni che contengano o che abbiano contenuto prodotti infiammabili liquidi o gassosi.
- Evitare di operare su materiali puliti con solventi clorurati o nelle vicinanze di dette sostanze.
- Non saldare su recipienti in pressione.
- Allontanare dall'area di lavoro tutte le sostanze infiammabili (p.es. legno, carta, stracci, etc.).
- Lasciare raffreddare il pezzo appena saldato! Non collocare il pezzo in prossimità di sostanze infiammabili.
- Assicurarsi un ricambio d'aria adeguato o di mezzi atti ad asportare i fumi di saldatura nelle vicinanze degli elettrodi; è necessario un approccio sistematico per la valutazione dei limiti all'esposizione dei fumi di saldatura in funzione della loro composizione, concentrazione e durata dell'esposizione stessa.



- Proteggere sempre gli occhi con gli appositi occhiali di protezione.
- Indossare guanti e indumenti di protezione adatti alle lavorazioni con saldatura a resistenza.
- Rumorosità: Se a causa di operazioni di saldatura particolarmente intensive viene verificato un livello di esposizione quotidiana personale (LEPD) uguale o maggiore a 85db(A), è obbligatorio l'uso di adeguati mezzi di protezione individuale.



- Il passaggio della corrente di puntatura provoca l'insorgere di campi elettromagnetici (EMF) localizzati nei dintorni del circuito di puntatura. I campi elettromagnetici possono interferire con alcune apparecchiature mediche (es. Pace-maker, respiratori, protesi metalliche etc.). Devono essere prese adeguate misure protettive nei confronti dei portatori di queste apparecchiature. Ad esempio proibire l'accesso all'area di utilizzo della puntatrice. Questa puntatrice soddisfa gli standard tecnici di prodotto per l'uso esclusivo in ambiente industriale a scopo professionale. Non è assicurata la rispondenza ai limiti di base relativi all'esposizione umana ai campi elettromagnetici in ambiente domestico.

L'operatore deve utilizzare le seguenti procedure in modo da ridurre l'esposizione ai campi elettromagnetici:

- Fissare insieme il più vicino possibile i due cavi di puntatura (se presenti).
- Mantenere la testa ed il tronco del corpo il più distante possibile dal circuito

- di puntatura.
- Non avvolgere mai i cavi di puntatura (se presenti) attorno al corpo.
- Non puntare con il corpo in mezzo al circuito di puntatura. Tenere entrambi i cavi dalla stessa parte del corpo.
- Collegare il cavo di ritorno della corrente di puntatura (se presente) al pezzo da puntare il più vicino possibile al giunto in esecuzione.
- Non puntare vicino, seduti o appoggiati alla puntatrice (minima distanza: 50cm).
- Non lasciare oggetti ferromagnetici in prossimità del circuito di puntatura.
- Distanza minima:
 - d= 3cm, f= 50cm (Fig. G);
 - d= 3cm, f= 50cm (Fig. H);
 - d= 30cm (Fig. I);
 - d= 20cm (Fig. L) Studder.



- Apparecchiatura di classe A: Questa puntatrice soddisfa i requisiti dello standard tecnico di prodotto per l'uso esclusivo in ambiente industriale e a scopo professionale. Non è assicurata la rispondenza alla compatibilità elettromagnetica negli edifici domestici e in quelli direttamente collegati a una rete di alimentazione a bassa tensione che alimenta gli edifici per l'uso domestico.

USO PREVISTO

L'impianto deve essere utilizzato per la puntatura di una o più lamiere in acciaio a basso contenuto di carbonio, di forma e dimensioni variabili a seconda della lavorazione da eseguire.



RISCHI RESIDUI

RISCHIO DI SCHIACCIAMENTO DEGLI ARTI SUPERIORI NON PORRE LE MANI IN VICINANZA DI PARTI IN MOVIMENTO!

La modalità di funzionamento della puntatrice e la variabilità di forma e dimensioni del pezzo in lavorazione impediscono la realizzazione di una protezione integrata contro il pericolo di schiacciamento degli arti superiori: dita, mano, avambraccio.

Il rischio dev'essere ridotto adottando le opportune misure preventive:

- L'operatore dev'essere esperto o istruito sul procedimento di saldatura a resistenza con questa tipologia di apparecchiature.
- Dev'essere eseguita una valutazione del rischio per ogni tipologia di lavoro da eseguire; è necessario predisporre attrezzature e mascheraggi atti a sostenere e guidare il pezzo in lavorazione in modo da allontanare le mani dalla zona pericolosa corrispondente agli elettrodi
- Nel caso di utilizzo di una puntatrice portatile: impugnare saldamente la pinza con tutte e due le mani poste sugli appositi manici; mantenere sempre le mani lontane dagli elettrodi.
- In tutti i casi ove la conformazione del pezzo lo renda possibile regolare la distanza degli elettrodi in modo che non vengano superati 6 mm di corsa.
- Impedire che più persone lavorino contemporaneamente con la stessa puntatrice.
- La zona di lavoro dev'essere interdetta alle persone estranee.
- Non lasciare incustodita la puntatrice: in questo caso è obbligatorio scollegarla dalla rete di alimentazione; nelle puntatrici ad azionamento con cilindro pneumatico portare l'interruttore generale in "O" e bloccarlo con il lucchetto in dotazione, la chiave dev'essere estratta e conservata dal responsabile.
- Utilizzare esclusivamente gli elettrodi previsti per la macchina (vedi lista ricambi) senza alterare la forma degli stessi.

RISCHIO DI USTIONI

Alcune parti della puntatrice (elettrodi - bracci e aree adiacenti) possono raggiungere temperature superiori a 65°C: è necessario indossare indumenti protettivi adeguati.

Lasciare raffreddare il pezzo appena saldato prima di toccarlo!

RISCHIO DI RIBALTAMENTO E CADUTA

- Collocare la puntatrice su una superficie orizzontale di portata adeguata alla massa; vincolare al piano di appoggio la puntatrice (quando previsto nella sezione "INSTALLAZIONE" di questo manuale). In caso contrario, pavimentazioni inclinate o sconnesse, piani d'appoggio mobili, esiste il pericolo di ribaltamento.
- E' vietato il sollevamento della puntatrice, salvo il caso espressamente previsto nella sezione "INSTALLAZIONE" di questo manuale.
- Nel caso di utilizzo di macchine carrellate: scollegare la puntatrice dall'alimentazione elettrica e pneumatica (se presente) prima di spostare l'unità in un'altra zona di lavoro. Fare attenzione agli ostacoli e alle asperità del terreno (per esempio cavi e tubi).

- USO IMPROPRIO

E' pericolosa l'utilizzazione della puntatrice per qualsiasi lavorazione diversa da quella prevista (vedi USO PREVISTO)



PROTEZIONI E RIPARI

Le protezioni e le parti mobili dell'involucro della puntatrice devono essere in posizione, prima di collegarla alla rete di alimentazione.

ATTENZIONE! Qualunque intervento manuale su parti mobili accessibili della puntatrice, ad esempio:

- Sostituzione o manutenzione degli elettrodi
- Regolazione della posizione di bracci o elettrodi

DEVE ESSERE ESEGUITO CON LA PUNTRICE SPENTA E SCOLLEGATA DALLA RETE DI ALIMENTAZIONE ELETTRICA E PNEUMATICA (se presente). INTERRUPTORE GENERALE BLOCCATO IN "O" CON LUCCHETTO CHIUSO E CHIAVE ESTRATTA nei modelli con azionamento a CILINDRO PNEUMATICO).

IMMAGAZZINAMENTO

- Collocare la macchina e i suoi accessori (con o senza imballo) in locali chiusi.
 - L'umidità relativa dell'aria non deve essere superiore all'80%.
 - La temperatura ambiente deve essere compresa tra -15°C e 45°C.
- In caso di macchina provvista di unità di raffreddamento ad acqua e temperatura ambiente inferiore a 0°C: aggiungere il liquido antigelo previsto oppure svuotare completamente il circuito idraulico e il serbatoio dell'acqua. Utilizzare sempre adeguate misure per proteggere la macchina dall'umidità, dallo sporco e dalla corrosione.

2. INTRODUZIONE E DESCRIZIONE GENERALE

2.1 PRINCIPALI CARATTERISTICHE

Puntatrice portatile per saldatura a resistenza.

La serie e' costituita da 3 modelli:

- 5.8kA:

Puntatrice portatile con temporizzatore elettronico. Consente una precisa esecuzione dei punti di saldatura grazie al controllo elettronico del tempo di puntatura, e la regolazione della forza degli elettrodi. Capacità di puntatura su lamiera acciaio a basso tenore di carbonio (bracci standard) fino a spessore 1+1 mm.

- 6.9kA (230V):

Puntatrice portatile con controllo digitale a microprocessore. Le caratteristiche principali gestibili da pannello di controllo sono:

- Selezione dello spessore delle lamiere da puntare.
- Correzione del tempo di puntatura.
- Possibilità d'inserzione della pulsazione della corrente di puntatura.
- Regolazione della forza di puntatura.
- Capacità di puntatura su lamiera acciaio a basso tenore di carbonio (bracci standard) fino a spessore 2+2 mm.

- 6.9kA (400V):

Puntatrice portatile con controllo digitale a microprocessore. Stesse caratteristiche del modello 6.9kA (230V), ma funzionante con tensione alimentazione di 400V(380V-415V).

2.2 ACCESSORI DI SERIE

La dotazione di base della puntatrice e' comprensiva di bracci da 120 mm ed elettrodi standard.

2.3 ACCESSORI SU RICHIESTA

- Coppie bracci ed elettrodi con lunghezza e/o forma diversa, anche in kit comprendente più coppie.
- Carrello per bracci: consente l'appoggio della puntatrice e degli accessori.

3. DATI TECNICI

3.1 TARGA DATI (FIG. A)

I principali dati relativi all'impiego e alle prestazioni della puntatrice sono riassunti nella targa caratteristiche col seguente significato.

- 1- Numero delle fasi e frequenza della linea di alimentazione.
- 2- Tensione di alimentazione.
- 3- Potenza nominale di rete con rapporto d'intermittenza del 50%.
- 4- Potenza di rete a regime permanente (100%).
- 5- Tensione massima a vuoto agli elettrodi.
- 6- Corrente massima con elettrodi in corto circuito.
- 7- Forza massima esercitabile dagli elettrodi.
- 8- Corrente a secondario a regime permanente (100%).

Nota: l'esempio di targa riportato è indicativo dei simboli e delle cifre; i valori esatti dei dati tecnici della puntatrice in vostro possesso devono essere rilevati direttamente sulla targa della puntatrice stessa.

3.2 ALTRI DATI TECNICI

Caratteristiche generali: TAB. 1.

Massa della puntatrice: TAB. 7.

4. DESCRIZIONE DELLA PUNTRICE

4.1 COMPONENTI PRINCIPALI E REGOLAZIONI (FIG.B)

- 1- Vite di regolazione forza elettrodi.
- 2- Impugnatura posizionabile destra/sinistra.
- 3- Foro per montaggio eventuale golfaro.
- 4- Braccio di saldatura mobile.
- 5- Braccio di saldatura fisso.
- 6- Cavo alimentazione.
- 7- Targa caratteristiche.
- 8- Microswitch.
- 9- Regolazione tempo di puntatura (solo nel modello 5.8kA (FIG. B1)); per i modelli 6.9kA vedere 4.2: PANNELLO COMANDI.
- 10- Leva di puntatura.

4.2 PANNELLO COMANDI (solo nei modelli 6.9kA) (FIG. C)

- 1- **Tasto per la correzione del tempo di puntatura:** aggiusta il tempo di puntatura rispetto alla condizione default di fabbrica.
- 2- **Tasto per la selezione spessore lamiera:** seleziona lo spessore della lamiera che si deve puntare.
- 3- **Pulsante di selezione modalità di puntatura:**



La corrente di saldatura è pulsante. Effettuando questa selezione si migliora la capacità di puntatura su lamiere ad alto limite di snervamento oppure su lamiere con particolari pellicole protettive. Il periodo di pulsazione e' automatico,

non necessita di regolazione.

— : Puntatura normale.

4- LEDS di segnalazione intervento protezione termica.

I due leds lampeggiano alternativamente, i leds rimanenti sono spenti, segnalando il blocco della puntatrice per sovratemperatura; il ripristino è automatico al rientro della temperatura entro i limiti previsti.

5. INSTALLAZIONE



ATTENZIONE! ESEGUIRE TUTTE LE OPERAZIONI DI INSTALLAZIONE ED ALLACCIAMENTI ELETTRICI E PNEUMATICI CON LA PUNTRICE RIGOROSAMENTE SPENTA E SCOLLEGATA DALLA RETE DI ALIMENTAZIONE. GLI ALLACCIAMENTI ELETTRICI E PNEUMATICI DEVONO ESSERE ESEGUITI ESCLUSIVAMENTE DA PERSONALE ESPERTO O QUALIFICATO.

5.1 ALLESTIMENTO

Disimballare la puntatrice, eseguire il montaggio della parti staccate contenute nell'imballo.

5.2 MODALITA' DI SOLLEVAMENTO

ATTENZIONE: Tutte le puntatrici descritte in questo manuale sono sprovviste di dispositivi di sollevamento; nel caso si desideri applicare un golfaro per sospendere la puntatrice utilizzando il foro (FIG. F (2)), porre attenzione che il gambo filettato non penetri per più di 8mm.

5.3 UBICAZIONE

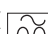
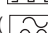
Riservare alla zona d'installazione una area sufficientemente ampia e priva di ostacoli atta a garantire l'accessibilità al pannello comandi e all'area di lavoro (elettrodi) in piena sicurezza.

Accertarsi che non vi siano ostacoli in corrispondenza delle aperture di ingresso o uscita dell'aria di raffreddamento, verificando che non possano venir aspirate polveri conduttive, vapori corrosivi, umidità etc.

Posizionare la puntatrice su una superficie piana di materiale omogeneo e compatto adatta a sopportarne il peso (vedi "dati tecnici") per evitare il pericolo di ribaltamento o spostamenti pericolosi.

5.4 COLLEGAMENTO ALLA RETE

5.4.1 Avvertenze

- Prima di effettuare qualsiasi collegamento elettrico, verificare che i dati di targa della puntatrice corrispondano alla tensione e frequenza di rete disponibili nel luogo d'installazione.
- La puntatrice deve essere collegata esclusivamente ad un sistema di alimentazione con conduttore di neutro collegato a terra.
- Per garantire la protezione contro il contatto indiretto usare interruptori differenziali del tipo:
 - Tipo A () per macchine monofasi;
 - Tipo B () per macchine trifasi.

- Al fine di soddisfare i requisiti della Norma EN 61000-3-11 (Flicker) si consiglia il collegamento della puntatrice ai punti di interfaccia della rete di alimentazione che presentano un'impedenza minore di $Z_{max} = 0.179 \text{ ohm}$.

- La puntatrice non rientra nei requisiti della norma IEC/EN 61000-3-12.

Se essa viene collegata a una rete di alimentazione pubblica, è responsabilità dell'installatore o dell'utilizzatore verificare che la puntatrice possa essere connessa (se necessario, consultare il gestore della rete di distribuzione).

5.4.2 Spina e presa

Collegare al cavo di alimentazione una spina normalizzata (3P+T : vengono utilizzati solo 2 poli per il collegamento 400V INTERFASICO; 2P+T: collegamento 230V MONOFASE) di portata adeguata e predisporre una presa di rete protetta da fusibili o da interruttore automatico magnetotermico; l'apposito terminale di terra dev'essere collegato al conduttore di terra (giallo-verde) della linea di alimentazione.

La modalità di collegamento ed il numero poli della spina da utilizzare, in funzione del sistema di distribuzione e della tensione di alimentazione della vostra puntatrice, deve corrispondere a quanto previsto nelle tabelle (TAB. 2; 3; 4; 5).

La portata della spina e la caratteristica d'intervento dei fusibili e dell'interruttore magnetotermico sono riportate sulle tabelle TAB. 1 e TAB. 7.

Qualora vengano installate più puntatrici distribuire l'alimentazione ciclicamente tra le tre fasi in modo da realizzare un carico più equilibrato; esempio:

Puntatrici 230V:

Puntatrice 1 : alimentazione L1-N.
Puntatrice 2 : alimentazione L2-N.
Puntatrice 3 : alimentazione L3-N.
etc.

Puntatrici 400V:

Puntatrice 1 : alimentazione L1-L2.
Puntatrice 2 : alimentazione L2-L3.
Puntatrice 3 : alimentazione L3-L1.
Etc.



ATTENZIONE! L'inosservanza delle regole sopraesposte rende inefficace il sistema di sicurezza previsto dal costruttore (classe I) con conseguenti gravi rischi per le persone (es. shock elettrico) e per le cose (es. incendio).

6. SALDATURA (Puntatura)

6.1 OPERAZIONI PRELIMINARI

Prima di eseguire qualsiasi operazione di puntatura, e' necessario effettuare una serie di verifiche e controlli con puntatrice scollegata dalla rete:

- 1- Controllare che l'allacciamento elettrico sia eseguito correttamente secondo le istruzioni precedenti.
- 2- Allineamento e forza degli elettrodi:
 - bloccare accuratamente l'elettrodo inferiore nella posizione più adatta al lavoro in esecuzione,
 - allentare la vite di fissaggio dell'elettrodo superiore per permetterne lo scorrimento nel suo foro del braccio,
 - interporre tra gli elettrodi uno spessore equivalente a quello delle lamiere da puntare,
 - **FIG. D** chiudere la leva 2 finché i bracci risultino paralleli e le punte degli elettrodi coincidenti; avvitare la vite 3 (d.M6) in dotazione, nel foro 1, per bloccare la leva in posizione idonea ad eseguire la regolazione della forza,
 - bloccare nella corretta posizione l'elettrodo superiore stringendone

- accuratamente la vite,
 - regolare la forza esercitata dagli elettrodi in fase di puntatura **FIG.E**, agendo sulla vite di regolazione **(1)** utilizzando la chiave in dotazione; il valore impostato, in funzione della posizione dell'indice sulla scala graduata, è riportato sulla **FIG. F**. La **TAB. 6** riporta il valore della forza ottenibile con diverse lunghezze di bracci.
- Avvitare in senso orario (destrorso) per aumentare la forza in modo proporzionale all'aumentare dello spessore delle lamiere, adottando tuttavia la regolazione in modo tale che la chiusura della pinza, e relativo azionamento del microswitch, avvenga esercitando uno sforzo limitato.

6.2 REGOLAZIONE DEI PARAMETRI

6.2.1 Modelli 6.9kA

- Selezionare lo spessore della lamiera da puntare utilizzando il tasto **(2 - FIG. C)** posto sul pannello di comando della puntatrice;
- Selezionare il tipo di puntatura (continua o pulsata) utilizzando il tasto **(3 - FIG. C)**. E' possibile correggere in più o in meno, ove fosse necessario, il tempo puntatura di default utilizzando il tasto **(1 - FIG. C)**.

6.2.2 Modello 5.8kA

Regolare il tempo di puntatura utilizzando il potenziometro **(9 - FIG.B1)** posto sul retro della puntatrice; utilizzare valori più bassi possibili compatibilmente con la corretta esecuzione del punto (**vedi : 6.3 PROCEDIMENTO**).

6.3 PROCEDIMENTO

Dopo aver alimentato la puntatrice, per l'esecuzione della puntatura seguire le seguenti istruzioni:

- appoggiare l'elettrodo inferiore sulla lamiera da puntare;
- azionare la leva della pinza a fine corsa, e quindi fino a premere il microswitch **(8 - FIG. B)** ottenendo:
 - a) chiusura delle lamiere tra gli elettrodi con la forza preregolata;
 - b) passaggio della corrente di saldatura per il tempo prefissato.
- rilasciare la leva della pinza dopo qualche istante. Questo ritardo (mantenimento), conferisce migliori caratteristiche meccaniche al punto.

In mancanza di esperienza specifica è opportuno eseguire alcune prove di puntatura utilizzando spessori di lamiera della stessa qualità e spessore del lavoro da eseguire. L'esecuzione del punto si considera corretta quanto, sottoponendo un provino a prova di trazione, si provoca l'estrazione del nocciolo del punto di saldatura da una delle due lamiere.



ATTENZIONE! La puntatrice è dotata di un conduttore di protezione che collega il circuito di saldatura direttamente a terra. Effettuare la saldatura solo se le lamiere da unire sono isolate da terra! In caso contrario interrompete subito il lavoro di saldatura e fate verificare il conduttore di protezione dell'impianto e della puntatrice da una persona esperta o qualificata in ambito tecnico.

7. MANUTENZIONE



ATTENZIONE! PRIMA DI ESEGUIRE LE OPERAZIONI DI MANUTENZIONE, ACCERTARSI CHE LA PUNTATRICE SIA SPENTA E SCOLLEGATA DALLA RETE DI ALIMENTAZIONE ELETTRICA E PNEUMATICA (se presente).

Nelle versioni ad azionamento con cilindro pneumatico è necessario bloccare l'interruttore in posizione "O" col lucchetto in dotazione.

7.1 MANUTENZIONE ORDINARIA

LE OPERAZIONI DI MANUTENZIONE ORDINARIA POSSONO ESSERE ESEGUITE DALL'OPERATORE.

- adeguamento/ripristino del diametro e del profilo della punta dell'elettrodo;
- controllo allineamento degli elettrodi;
- controllo del carico molla (forza elettrodi);
- verifica integrità del cavo di alimentazione della puntatrice e della pinza.
- sostituzione degli elettrodi e dei bracci;

7.2 MANUTENZIONE STRAORDINARIA

LE OPERAZIONI DI MANUTENZIONE STRAORDINARIA DEVONO ESSERE ESEGUITE ESCLUSIVAMENTE DA PERSONALE ESPERTO O QUALIFICATO IN AMBITO ELETTRICO-MECCANICO.



ATTENZIONE! PRIMA DI RIMUOVERE I PANNELLI DELLA PUNTATRICE ED ACCEDERE AL SUO INTERNO ACCERTARSI CHE LA PUNTATRICE SIA SPENTA E SCOLLEGATA DALLA RETE DI ALIMENTAZIONE ELETTRICA E PNEUMATICA (se presente).

Eventuali controlli eseguiti sotto tensione all'interno della puntatrice possono causare shock elettrico grave originato da contatto diretto con parti in tensione e/o lesioni dovute al contatto diretto con organi in movimento.

Periodicamente e comunque con frequenza in funzione dell'utilizzo e delle condizioni ambientali, ispezionare l'interno della puntatrice e rimuovere la polvere e particelle metalliche depositatesi su trasformatore, modulo tiristori, modulo diodi, morsetteria alimentazione, etc, mediante getto d'aria compressa secca (max 5bar).

Evitare di dirigere il getto d'aria compressa sulle schede elettroniche; provvedere alla loro eventuale pulizia con una spazzola molto morbida od appropriati solventi.

Con l'occasione:

- verificare che i cablaggi non presentino danni all'isolamento o connessioni allentate - ossidate.
- lubrificare gli snodi ed i perni.
- verificare che le viti di collegamento del secondario del trasformatore alle fusioni porta-bracci siano ben serrate e non vi siano segni di ossidazione o surriscaldamento; lo stesso dicasi per le viti di bloccaggio bracci e portaelettrodi.
- verificare che le viti di collegamento del secondario del trasformatore alle barre / trecce di uscita siano ben serrate e non vi siano segni di ossidazione o surriscaldamento.
- verificare la continuità del circuito di terra della macchina con il circuito di saldatura (elettrodi).
- verificare che le viti di collegamento del secondario del trasformatore (se presenti) siano ben serrate e non vi siano segni di ossidazione o surriscaldamento.
- Dopo aver eseguito la manutenzione o la riparazione ripristinare le connessioni ed i cablaggi com'erano in origine avendo cura che questi non vadano a contatto con parti in movimento o parti che possano raggiungere temperature elevate. Fascettare tutti i conduttori com'erano in origine avendo cura di tenere ben separati tra di loro i collegamenti del primario in alta tensione da quelli secondari in bassa

tensione.

Utilizzare tutte le rondelle e le viti originali per la richiusura della carpenteria.

7.3 RICERCA GUASTI

NELL'EVENTUALITA' DI FUNZIONAMENTO INSODDISFACENTE, E PRIMA DI ESEGUIRE VERIFICHE PIU' SISTEMATICHE O RIVOLGERVI AL VOSTRO CENTRO ASSISTENZA, CONTROLLARE CHE:

- Con la leva saldatura azionata venga effettivamente premuto il microswitch dando il consenso alla scheda elettronica per la saldatura.
- Non siano intervenute le protezioni termiche.
- Gli elementi facenti parti del circuito secondario (fusioni portabracci - bracci - portaelettrodi) non siano inefficienti a causa di viti allentate od ossidazioni.
- I parametri di saldatura (forza e diametro elettrodi, tempo di saldatura) non siano inadeguati al lavoro in esecuzione.

	<i>pag.</i>		<i>pag.</i>
1. SÉCURITÉ GÉNÉRALE POUR LE SOUDAGE PAR POINTS	11	6. SOUDAGE (par points)	13
2. INTRODUCTION ET DESCRIPTION GÉNÉRALE.....	12	6.1 OPÉRATIONS PRÉALABLES.....	13
2.1 INTRODUCTION.....	12	6.2 RÉGLAGE DES PARAMÈTRES.....	13
2.2 ACCESSOIRES DE SÉRIE.....	12	6.2.1 Modèles 6.9kA.....	13
2.3 ACCESSOIRES SUR DEMANDE.....	12	6.2.2. Modèle 5.8kA.....	13
3. INFORMATIONS TECHNIQUES.....	12	6.3 PROCÉDÉ.....	13
3.1 PLAQUETTE INFORMATIONS (FIG. A).....	12	7. ENTRETIEN.....	13
3.2 AUTRES INFORMATIONS TECHNIQUES.....	12	7.1 ENTRETIEN ORDINAIRE.....	13
4. DESCRIPTION DU POSTE DE SOUDAGE PAR POINTS.....	12	7.2 ENTRETIEN EXTRAORDINAIRE.....	13
4.1 COMPOSANTS PRINCIPAUX ET RÉGLAGES (FIG. B).....	12	7.3 RECHERCHE DES AVARIES.....	13
4.2 PANNEAU DES COMMANDES (modèles 6.9kA uniquement) (FIG. C).....	12		
5. INSTALLATION.....	12		
5.1 MISE EN PLACE.....	12		
5.2 MODE DE SOULÈVEMENT.....	12		
5.3 EMBLACEMENT.....	12		
5.4 BRANCHEMENT AU RÉSEAU.....	12		
5.4.1 Avertissements.....	12		
5.4.2 Fiche et prise.....	12		

APPAREILLAGES POUR SOUDAGE PAR POINTS À USAGE INDUSTRIEL ET PROFESSIONNEL.

Note: Dans le texte suivant, on emploiera le terme « poste de soudage par points ».

1. SÉCURITÉ GÉNÉRALE POUR LE SOUDAGE PAR POINTS

L'opérateur doit être suffisamment informé sur l'utilisation en toute sécurité du poste de soudage par points et sur les risques liés aux procédés du soudage par points, aux mesures de protection correspondantes et aux procédures d'urgence.



- Exécuter l'installation électrique selon les normes prévues et d'après les lois contre les accidents.
- Le poste de soudage par points doit être branché exclusivement à un système d'alimentation avec conducteur de neutre branché à la terre.
- S'assurer que la prise d'alimentation est correctement branchée à la terre comme protection.
- Ne pas utiliser de câbles ayant une isolation détériorée ou des connexions desserrées.
- Utiliser le poste de soudage par points à une température ambiante de l'air comprise entre 5°C et 40°C et à une humidité relative de 50% pour des températures allant jusqu'à 40°C et de 90% pour des températures allant jusqu'à 20°C.
- Ne pas utiliser le poste de soudage par points en milieux humides ou mouillés ou sous la pluie.
- La connexion des câbles de soudage et toute autre intervention d'entretien ordinaire sur les bras et/ou électrodes doivent être exécutées quand le poste de soudage par points est éteint et débranché du réseau d'alimentation électrique et pneumatique (si présent).
Il faut respecter la même procédure pour le branchement au réseau hydrique ou à une unité de refroidissement à circuit fermé (postes de soudage par points avec refroidissement à eau) et dans tous les cas d'interventions de réparation (entretien extraordinaire).



- Il est interdit d'utiliser l'appareillage dans des milieux comportant des zones classées à risque d'explosion à cause de la présence de gaz, de poussières ou de buées.
- Ne pas souder sur des conteneurs, récipients ou tuyaux qui contiennent ou qui ont contenu des produits inflammables liquides ou gazeux.
- Éviter d'opérer sur des matériaux propres avec des solvants chlorurés ou dans les alentours de ces substances.
- Ne pas souder sur des récipients sous pression.
- Éloigner de la zone de travail toutes les substances inflammables (par ex. bois, papier, chiffons, etc.).
- Laisser refroidir le morceau qui vient d'être soudé ! Ne pas placer le morceau à proximité de substances inflammables.
- S'assurer un recyclage de l'air adéquat ou des moyens adaptés pour enlever les fumées de soudage aux alentours des électrodes ; il faut une approche systématique pour évaluer les limites à l'exposition des fumées de soudage en fonction de leur composition, de leur concentration et de la durée de cette même exposition.



- Toujours protéger les yeux avec des lunettes de protection prévues à cet effet.
- Porter des gants et des vêtements de protection adaptés aux usinages avec soudage par points.
- Bruit: Si, à cause d'opérations de soudage particulièrement intensives, on constate un niveau d'exposition quotidienne personnelle (LEP,d) égale ou supérieure à 85dB(A), l'utilisation de moyens de protection individuelle adaptés est obligatoire.



- Le passage du courant de pointage provoque l'apparition de champs électromagnétiques (EMF) localisés dans les alentours du circuit de pointage. Les champs électromagnétiques peuvent interférer avec certains appareillages médicaux (ex. Pacemakers, respirateurs, prothèses métalliques etc.). Il faut prendre les mesures de protection adaptées à l'égard des personnes portant ces appareillages. Interdire par exemple l'accès à l'aire d'utilisation du poste de soudage par points.

Ce poste de soudage par points répond aux standards techniques de produit pour l'utilisation exclusive en milieu industriel à but professionnelle. La conformité aux limites de base concernant l'exposition humaine aux champs électromagnétiques en milieu domestique n'est pas assurée.

L'opérateur doit utiliser les procédures suivantes de façon à réduire l'exposition aux champs électromagnétiques:

- Fixer ensemble, le plus près possible, les deux câbles de pointage (si présents).
- Maintenir la tête et le tronc du corps le plus loin possible du circuit de pointage.
- Ne jamais enrouler les câbles de pointage (si présents) autour du corps.
- Ne jamais pointer le corps au milieu du circuit de pointage. Tenir les deux câbles du même côté du corps.
- Brancher le câble de retour du courant de pointage (si présent) au morceau à pointer le plus près possible du joint en exécution.
- Ne pas pointer près, assis ou appuyé au poste de soudage par points (distance minimale : 50cm).
- Ne pas laisser d'objets ferromagnétiques à proximité du circuit de pointage.
- Distance minimale :
 - d= 3cm, f= 50cm (Fig. G);
 - d= 3cm, f= 50cm (Fig. H);
 - d= 30cm (Fig. I);
 - d= 20cm (Fig. L) Studer.



- Appareillage de classe A :

Ce poste de soudage par points répond aux qualités essentielles requises par le standard technique de produit pour l'utilisation exclusive en milieu industriel et à but professionnelle.

La conformité à la compatibilité électromagnétique dans les bâtiments domestiques et dans ceux qui sont directement branchés à un réseau d'alimentation à basse tension alimentant les bâtiments pour l'usage domestique n'est pas assurée.

UTILISATION PRÉVUE

L'installation doit être utilisée pour le pointage d'une ou de plusieurs tôles en acier à faible contenu de carbone, de forme et de dimensions variant selon l'usinage à exécuter.



RISQUES RÉSIDUELS

RISQUE D'ÉCRASEMENT DES MEMBRES SUPÉRIEURS

NE PAS POSER LES MAINS À PROXIMITÉ DES PARTIES EN MOUVEMENT !
La modalité de fonctionnement du poste de soudage par points et la variabilité de forme et de dimensions du morceau en usinage empêchent la réalisation d'une protection intégrée contre le danger d'écrasement des membres supérieurs : doigt, main, avant-bras.

Le risque doit être réduit en adoptant les mesures préventives opportunes :

- L'opérateur doit être expert ou instruit sur le procédé de soudage par points avec cette typologie d'appareillages.
- Il faut exécuter une évaluation du risque pour chaque typologie de travail à exécuter ; il faut prédisposer des équipements et des caches pouvant soutenir et guider le morceau en usinage de façon à éloigner les mains de la zone dangereuse correspondant aux électrodes.
- En cas d'utilisation d'un poste de soudage par points portable : empoigner solidement la pince avec les deux mains placées sur les poignées prévues à cet effet ; toujours maintenir les mains loin des électrodes.
- Dans tous les cas où la conformation du morceau le permet, régler la distance des électrodes de façon à ce qu'elle ne dépasse pas 6 mm de course.
- Empêcher que plusieurs personnes ne travaillent en même temps avec le même poste de soudage par points.
- La zone de travail doit être interdite aux personnes étrangères aux opérations.
- Ne pas laisser le poste de soudage par points sans surveillance : dans ce cas, il est obligatoire de le débrancher du réseau d'alimentation ; dans les postes de soudage par points à actionnement avec cylindre pneumatique, porter l'interrupteur général sur « O » et le bloquer avec le verrou fourni, la clé doit être extraite et conservée par le responsable.
- Utiliser exclusivement les électrodes prévues pour la machine (voir liste des pièces détachées) sans altérer la forme de celles-ci.

RISQUE DE BRÛLURES

Certaines parties du poste de soudage par points (électrodes - bras et zones adjacentes) peuvent atteindre des températures supérieures à 65°C : il faut donc porter des vêtements de protection adéquats.
Laisser refroidir le morceau qui vient d'être soudé avant de le toucher !

RISQUE DE RENVERSEMENT ET DE CHUTE

- Placer le poste de soudage par points sur une surface horizontale ayant

une capacité adaptée à sa masse ; attacher le poste de soudage par points au plan d'appui (quand cela est prévu dans la section « INSTALLATION » de ce manuel). En cas contraire, sols inclinés ou déformés, plans d'appui mobiles, il existe un danger de renversement.

- Il est interdit de soulever le poste de soudage par points, sauf cas expressément prévu dans la section « INSTALLATION » de ce manuel.
- Dans le cas d'une utilisation de machines sur chariot : débrancher le poste de soudage par points de l'alimentation électrique et pneumatique (si présente) avant de déplacer l'unité dans une autre zone de travail. Faire attention aux obstacles et aux aspérités du terrain (par exemple câbles et tuyaux).

- UTILISATION IMPROPRE

Il est dangereux d'utiliser le poste de soudage par points pour tout usinage différent de celui prévu (voir UTILISATION PRÉVUE)



DISPOSITIFS DE SÉCURITÉ ET PROTECTIONS

Les protections et les parties mobiles de l'enveloppe du poste de soudage par points doivent être en position, avant de le brancher au réseau d'alimentation.

ATTENTION ! Toute intervention manuelle sur des parties mobiles accessibles du poste de soudage par points, par exemple :

- Substitution ou entretien des électrodes
- Réglage de la position du bras ou des électrodes

DOIT ÊTRE EXÉCUTÉE AVEC LE POSTE DE SOUDAGE PAR POINTS ÉTEINT ET DÉBRANCHÉ DU RÉSEAU D'ALIMENTATION ÉLECTRIQUE ET PNEUMATIQUE (si présent).

INTERRUPTEUR GÉNÉRAL BLOQUÉ SUR « O » AVEC VERROU FERMÉ ET CLÉ EXTRAITE sur les modèles avec actionnement à CYLINDRE PNEUMATIQUE).

EMMAGASINAGE

- Placer la machine et ses accessoires (avec ou sans emballage) dans des locaux fermés.
 - L'humidité relative de l'air ne doit pas être supérieure à 80%.
 - La température ambiante doit être comprise entre -15°C et 45°C.
- Pour les machines équipées d'une unité de refroidissement à eau et à une température ambiante inférieure à 0°C : ajouter le liquide antigel prévu ou vider complètement le circuit hydraulique et le réservoir à eau.
- Toujours utiliser des mesures adéquates pour protéger la machine contre l'humidité, la saleté et la corrosion.

2. INTRODUCTION ET DESCRIPTION GÉNÉRALE

2.1 INTRODUCTION

Poste de soudage par points portatif.

La série comprend 3 modèles :

- **5.8kA** : Poste de soudage par points portatif avec temporisateur électronique. Permet une exécution précise des points de soudure grâce au contrôle électronique du temps de pointage et le réglage de la force des électrodes. Capacité de pointage sur tôles en acier à basse teneur en carbone (bras standard) jusqu'à une épaisseur de 1+1 mm.
- **6.9kA (230V)** : Poste de soudage par points portatif avec contrôle numérique à microprocesseur. Les caractéristiques principales pouvant être gérées par le panneau de contrôle sont les suivantes :
 - Sélection de l'épaisseur des tôles à pointer.
 - Correction du temps de pointage.
 - Possibilité d'insertion de l'impulsion du courant de pointage.
 - Réglage de la force de pointage.
 - Capacité de pointage sur tôle en acier à basse teneur en carbone (bras standard) jusqu'à une épaisseur de 2+2 mm.
- **6.9kA (400V)** : Poste de soudage par points portatif avec contrôle numérique à microprocesseur. Mêmes caractéristiques que le modèle 6.9kA (230V), mais fonctionne avec une tension d'alimentation de 400V(380V-415V).

2.2 ACCESSOIRES DE SÉRIE

Le poste de soudage comprend des bras de 120 mm et des électrodes standard.

2.3 ACCESSOIRES SUR DEMANDE

- Paire bras et électrodes de différentes longueurs et/ou formes, y compris en kit comprenant plusieurs paires.
- Chariot pour bras : permet de poser poste de soudage et accessoires.

3. INFORMATIONS TECHNIQUES

3.1 PLAQUETTE INFORMATIONS (FIG. A)

Les informations principales concernant l'utilisation et les performances de la soudeuse par points sont résumées sur la plaquette caractéristiques avec la signification suivante.

- 1- Nombre des phases et fréquence de la ligne d'alimentation.
- 2- Tension d'alimentation.
- 3- Puissance nominale secteur avec rapport d'intermittence de 50%.
- 4- Puissance réseau à régime permanent (100%).
- 5- Tension maximale à vide électrodes.
- 6- Courant maximal avec électrodes en court-circuit.
- 7- Force maximale pouvant être exercée par les électrodes.
- 8- Courant secondaire à régime permanente (100%).

Remarque : L'exemple de plaquette représentée indique la signification des symboles et des chiffres : les valeurs exactes des informations techniques du poste de soudage par points doivent être directement relevées sur la plaquette de l'appareil.

3.2 AUTRES INFORMATIONS TECHNIQUES

Caractéristiques générales: TAB. 1.

Masse poste de soudage: TAB. 7.

4. DESCRIPTION DU POSTE DE SOUDAGE PAR POINTS

4.1 COMPOSANTS PRINCIPAUX ET RÉGLAGES (FIG.B)

- 1- Vis de réglage force électrodes.
- 2- Poignée positionnable droite/gauche.
- 3- Orifice pour montage éventuel oeillet.
- 4- Bras de soudage mobile.
- 5- Bras de soudage fixe.
- 6- Câble alimentation.
- 7- Plaquette caractéristiques.
- 8- Micro-interrupteur.
- 9- Réglage temps de pointage (modèle 5.8kA (FIG. B1) uniquement) ; pour les modèles 6.9kA voir 4.2 : PANNEAU COMMANDES.

- 10- Levier de pointage.

4.2 PANNEAU DES COMMANDES (modèles 6.9kA uniquement) (FIG. C)

- 1- Touche de correction du temps de pointage : aduste le temps de pointage par rapport aux conditions par défaut d'usine
- 2- Touche de sélection épaisseur tôle : sélectionne l'épaisseur de la tôle à pointer
- 3- Pousoir de sélection mode de pointage :



Courant de soudage par impulsions.
Cette sélection permet d'améliorer la capacité de pointage sur les tôles à haute limite d'élasticité ou sur des tôles comportant des pellicules de protection particulières. La période d'impulsion est automatique et n'exige aucun réglage.

— : Pointage normal.

4- DELs de signalisation intervention protection thermique.

Les deux DELs clignotent alternativement, les DELs restantes sont éteintes et signalent le blocage du poste de soudage pour surtempérature ; le rétablissement est automatique dès que la température revient dans les limites prévues.

5. INSTALLATION



ATTENTION! EFFECTUER TOUTES LES OPÉRATIONS D'INSTALLATION ET LES RACCORDEMENTS ÉLECTRIQUES ET PNEUMATIQUES AVEC LE POSTE DE SOUDAGE ÉTEINT ET DÉBRANCHÉ DU RÉSEAU SECTEUR. LES RACCORDEMENTS ÉLECTRIQUES ET PNEUMATIQUES DOIVENT EXCLUSIVEMENT ÊTRE EFFECTUÉS PAR UN PERSONNEL EXPERT ET QUALIFIÉ.

5.1 MISE EN PLACE

Déballer le poste de soudage et procéder au montage des différentes parties contenues dans l'emballage.

5.2 MODE DE SOULÈVEMENT



ATTENTION ! Tous les postes de soudage décrits dans ce manuel sont dépourvus de dispositifs de soulèvement ; s'il est nécessaire d'appliquer une cheville pour suspendre le poste de soudage en utilisant l'orifice (FIG. F (2)), avoir soin que la tige filetée ne pénètre pas sur plus de 8mm.

5.3 EMPLACEMENT

Prévoir une zone d'installation de dimensions suffisantes et dégagée afin de garantir que l'accès au tableau de contrôle et à la zone d'exploitation (électrodes) s'effectue en conditions de sécurité. Contrôler l'absence d'obstacles à hauteur des ouvertures d'entrée ou de sortie de l'air de refroidissement, ainsi que l'absence de tout risque d'aspiration de poussières conductibles, vapeurs corrosives, humidité, etc. Placer le poste de soudage par points sur une surface plane d'un matériel homogène et compact, adaptée à en supporter le poids (voir « données techniques ») pour éviter le danger de renversement ou de déplacements dangereux.

5.4 BRANCHEMENT AU RÉSEAU

5.4.1 Avertissements

- Avant d'effectuer tout branchement électrique, vérifier que les données de plaquette du poste de soudage par points correspondent à la tension et à la fréquence de réseau disponibles sur le lieu de l'installation.
- Le poste de soudage par points doit être branché exclusivement à un système d'alimentation avec conducteur de neutre branché à la terre.
- Pour garantir la protection contre le contact indirect, utiliser des interrupteurs différentiels du type:
 - Type A () pour machines monophasées;
 - Type B () pour machines triphasées.
- Afin de répondre aux qualités essentielles requises par la Norme EN 61000-3-11 (Flicker), nous conseillons le branchement du poste de soudage aux points d'interface du réseau d'alimentation qui présentent une impédance inférieure à $Z_{max} = 0.179 \text{ ohm}$.
- Ce poste de soudage par points ne répond pas aux exigences de la norme IEC/EN 61000-3-12.
En cas de raccordement de ce dernier à un réseau d'alimentation publique, l'installateur ou l'utilisateur sont tenus de vérifier la possibilité de branchement du poste de soudage par points (s'adresser si nécessaire au gestionnaire du réseau de distribution).

5.4.2 Fiche et prise

Brancher au câble d'alimentation une fiche normalisée (3P+T: seuls 2 pôles sont utilisés pour le branchement 400V EN INTERPHASE; 2P+T: branchement 230V MONOPHASE) d'une capacité adaptée et prédisposer une prise de réseau protégée par des fusibles ou par un interrupteur automatique magnétothermique; le terminal de terre prévu à cet effet doit être branché au conducteur de terre (jaune - vert) de la ligne d'alimentation.

Le mode de connexion et le nombre de pôles de la fiche à utiliser en fonction du système de distribution et de la tension d'alimentation du poste de soudage doivent correspondre aux indications des tableaux (TAB. 2 ; 3 ; 4 ; 5).

La portée de la fiche et la caractéristique d'intervention des fusibles et de l'interrupteur magnétothermique sont indiqués sur les TAB. 1 et TAB. 7.

En cas d'installation de plusieurs postes de soudage, distribuer l'alimentation cycliquement entre les trois phases pour obtenir une charge plus équilibrée ; exemple :

Postes de soudage par points 230V :

- Poste de soudage par point 1 : alimentation L1-N.
- Poste de soudage par point 2 : alimentation L2-N.
- Poste de soudage par point 3 : alimentation L3-N.
- etc.

Postes de soudage par points 400V :

- Poste de soudage par point 1 : alimentation L1-L2.
- Poste de soudage par point 2 : alimentation L2-L3.
- Poste de soudage par point 3 : alimentation L3-L1.
- etc.



ATTENTION ! La non-observation des règles indiquées ci-dessus annule l'efficacité du système de sécurité prévu par le constructeur (classe I) et peut entraîner des risques importants pour les personnes (risques de choc électrique) et les appareils (risques d'incendie).

6. SOUDAGE (par points)

6.1 OPÉRATIONS PRÉALABLES

Avant de procéder à toute opération de pointage, effectuer une série de vérifications et de contrôles préalables avec le poste de soudage déconnecté :

- 1- Contrôler que le raccordement électrique a été effectué selon les instructions précédentes.
- 2- Alignement et force des électrodes :
 - bloquer soigneusement l'électrode inférieure dans la position la plus adaptée à la tâche en cours d'exécution,
 - desserrer la vis de blocage de l'électrode supérieure pour permettre son déplacement dans l'orifice sur le bras,
 - insérer entre les électrodes une entretoise équivalente à l'épaisseur de la tôle à pointer,
 - **FIG. D** fermer le levier 2 jusqu'à ce que les bras soient parallèles et que les pointes des électrodes correspondent ; serrer la vis 3 (d.M6) fournie dans l'orifice 1 pour bloquer le levier en position adéquate et régler la force,
 - bloquer en position correcte l'électrode supérieure en serrant soigneusement la vis,
 - régler la force exercée par les électrodes en phase de pointage FIG.E en agissant sur la vis de réglage (1) au moyen de la clé fournie; la valeur définie en fonction de la position de l'indice sur l'échelle graduée est indiquée à la FIG. F. Le TAB. 6 indique la valeur de la force pouvant être obtenue avec les différentes longueurs du bras.
Serrer dans le sens des aiguilles d'une montre pour augmenter la force proportionnellement à celle de l'épaisseur de la tôle en adaptant toutefois le réglage afin que la fermeture de la pince et l'actionnement correspondant du micro-interrupteur s'effectuent avec un effort limité.

6.2 RÉGLAGE DES PARAMÈTRES

6.2.1 Modèles 6.9kA :

- sélectionner l'épaisseur de la tôle à pointer au moyen de la touche (2 - FIG. C) placée sur le panneau de commande du poste de soudage ;
 - sélectionner le type de pointage (continu ou par impulsions) au moyen de la touche (3 - FIG. C).
- Il est possible de corriger en plus ou en moins le temps de pointage par défaut au moyen de la touche (1 - FIG. C).

6.2.2. Modèle 5.8kA :

Régler le temps de pointage au moyen du potentiomètre (9 - FIG.B1) à l'arrière du poste de soudage ; utiliser les valeurs les plus basses possibles compatibles avec une exécution correcte du point (voir : 6.3 PROCÉDÉ).

6.3 PROCÉDÉ

Après avoir alimenté le poste de soudage, se conformer aux instructions suivantes pour l'exécution du pointage :

- poser l'électrode inférieure sur la tôle à pointer;
- actionner le levier jusqu'à fin de course, et donc jusqu'à pression du micro-interrupteur (8-FIG.B), en obtenant ainsi :
 - a) fermeture des tôles entre les électrodes avec la force prédéfinies;
 - b) passage du courant de soudage prédéfini durant le temps prédéfini.
- relâcher le levier de la pince quelques instants après. Ce retard (maintien) permet d'obtenir de meilleures caractéristiques mécaniques du point.

En l'absence d'expérience en la matière, effectuer plusieurs essais de pointage en utilisant des épaisseurs de tôles de même qualité et épaisseur que le travail à effectuer.

Le point peut être considéré comme correct si, en soumettant un essai à l'épreuve de traction, le point de soudage de l'une des deux tôles est extrait.



ATTENTION ! Le poste de soudage par points est équipé d'un conducteur de protection qui relie directement le circuit de soudage à la terre. Effectuer le soudage seulement si les tôles à unir sont isolées de la terre ! En cas contraire, interrompre tout de suite le travail de soudage et faire vérifier le conducteur de protection de l'installation et du poste de soudage par une personne experte ou qualifiée dans le domaine technique.

7. ENTRETIEN



ATTENTION ! AVANT D'EXÉCUTER LES OPÉRATIONS D'ENTRETIEN, S'ASSURER QUE LE POSTE DE SOUDAGE PAR POINTS EST ÉTEINT ET DÉBRANCHÉ DU RÉSEAU D'ALIMENTATION ÉLECTRIQUE ET PNEUMATIQUE (s'il existe).

Dans les versions à actionnement avec cylindre pneumatique, il faut bloquer l'interrupteur en position « O » avec le cadenas fourni.

7.1 ENTRETIEN ORDINAIRE

LES OPÉRATIONS D'ENTRETIEN ORDINAIRE PEUVENT ÊTRE EXÉCUTÉES PAR L'OPÉRATEUR.

- choix/rétablissement du diamètre et du profil de la pointe de l'électrode ;
- contrôle de l'alignement des électrodes ;
- contrôle de la charge de ressort (force des électrodes) ;
- vérification de l'intégrité du câble d'alimentation du poste de soudage par points et de la pince.
- substitution des électrodes et des bras ;

7.2 ENTRETIEN EXTRAORDINAIRE

LES OPÉRATIONS D'ENTRETIEN EXTRAORDINAIRE DOIVENT ÊTRE EXÉCUTÉES EXCLUSIVEMENT PAR DU PERSONNEL EXPERT OU QUALIFIÉ DANS LE DOMAINE ÉLECTRIQUE ET MÉCANIQUE.



ATTENTION ! AVANT D'ENLEVER LES PANNEAUX DU POSTE DE SOUDAGE ET D'ACCÉDER À L'INTÉRIEUR, S'ASSURER QUE LE POSTE EST ÉTEINT ET DÉBRANCHÉ DU RÉSEAU D'ALIMENTATION ÉLECTRIQUE ET PNEUMATIQUE (s'il existe).

Les éventuels contrôles exécutés sous tension à l'intérieur du poste de soudage peuvent causer une secousse électrique grave due au contact direct avec des parties sous tension et/ou des lésions dues au contact direct avec des organes en mouvement.

Périodiquement et, quoi qu'il en soit avec une fréquence en fonction de l'utilisation et des conditions environnementales, inspecter l'intérieur du poste et enlever la poussière et les particules métalliques qui se sont déposées sur transformateur, module des thyristors, module des diodes, boîtier de connexions de l'alimentation, etc., à l'aide d'un jet d'air comprimé sec (max 5 bars).

Éviter de diriger le jet d'air comprimé sur les cartes électroniques ; procéder à leur nettoyage éventuel avec une brosse très douce ou avec des solvants adaptés.

À l'occasion :

- vérifier que l'isolation des câblages n'est pas endommagée ou que les connexions ne sont pas desserrées - oxydées.
 - lubrifier les rotules et les pivots.
 - vérifier que les vis de branchement du secondaire du transformateur aux fusions porte-bras sont bien serrées et qu'elles ne présentent pas de signes d'oxydation ou de surchauffe ; idem pour les vis de blocage des bras et des porte-électrodes.
 - vérifier que les vis de branchement du secondaire du transformateur aux barres/tresses de sortie sont bien serrées et qu'elles ne présentent pas de signes d'oxydation ou de surchauffe.
 - vérifier la continuité du circuit de terre de la machine avec le circuit de soudage (électrodes).
 - vérifier que les vis de branchement du secondaire du transformateur (si elles existent) sont bien serrées et qu'elles ne présentent pas de signes d'oxydation ou de surchauffe.
 - après avoir exécuté l'opération d'entretien ou la réparation, rétablir les connexions et les câblages comme ils étaient à l'origine en faisant attention qu'ils n'entrent pas en contact avec des parties en mouvement ou des parties qui pourraient atteindre des températures élevées. Lier tous les conducteurs comme ils l'étaient à l'origine en ayant soin de bien séparer les branchements du primaire à haute tension des branchements secondaires à basse tension.
- Utiliser toutes les rondelles et les vis originales pour refermer la charpente.

7.3 RECHERCHE DES AVARIES

DANS L'ÉVENTUALITÉ D'UN FONCTIONNEMENT INSATISFAISANT, ET AVANT D'EXÉCUTER DES VÉRIFICATIONS PLUS SYSTÉMATIQUES OU DE S'ADRESSER AU CENTRE D'ASSISTANCE, CONTRÔLER QUE :

- le micro-switch est effectivement pressé avec le levier de soudage actionné, donnant ainsi l'accord à la carte électronique pour le soudage.
- les protections thermiques ne sont pas intervenues.
- les éléments qui font partie du circuit secondaire (fusions porte-bras - bras - porte-électrodes) ne sont pas inefficaces à cause de vis desserrées ou oxydées.
- Les paramètres de soudage (force et diamètre des électrodes, temps de soudage) ne sont pas inadéquats au travail en exécution.

1. SEGURIDAD GENERAL PARA LA SOLDADORA DE RESISTENCIA.....	pág. 14	6. SOLDADURA (Soldadura por puntos).....	pág. 15
2. INTRODUCCIÓN Y DESCRIPCIÓN GENERAL.....	15	6.1 OPERACIONES PRELIMINARES	15
2.1 INTRODUCCIÓN	15	6.2 REGULACIÓN DE LOS PARÁMETROS.....	16
2.2 ACCESORIOS DE SERIE.....	15	6.2.1 Modelos 6.9kA:.....	16
2.3 ACCESORIOS BAJO SOLICITUD.....	15	6.2.2 Modelo 5.8kA:.....	16
3. DATOS TÉCNICOS.....	15	6.3 PROCEDIMIENTO	16
3.1 CHAPA DE DATOS (FIG. A).....	15	7. MANTENIMIENTO	16
3.2 OTROS DATOS TÉCNICOS.....	15	7.1 MANTENIMIENTO ORDINARIO	16
4. DESCRIPCIÓN DE LA SOLDADORA POR PUNTOS	15	7.2 MANTENIMIENTO EXTRAORDINARIO.....	16
4.1 COMPONENTES PRINCIPALES Y REGULACIONES (FIG. B).....	15	7.3 BÚSQUEDA DE AVERÍAS	16
4.2 PANEL DE MANDOS (sólo en los modelos 6.9kA) (FIG. C).....	15		
5. INSTALACIÓN	15		
5.1 PREPARACIÓN.....	15		
5.2 MODALIDAD DE ELEVACIÓN.....	15		
5.3 UBICACIÓN	15		
5.4 CONEXIÓN A LA RED	15		
5.4.1 Advertencias.....	15		
5.4.2 Enchufe y toma de corriente	15		

EQUIPOS PARA SOLDADURA DE RESISTENCIA PARA USO INDUSTRIAL Y PROFESIONAL.

Nota: En el texto siguiente se utilizará el término "soldadora por puntos".

1. SEGURIDAD GENERAL PARA LA SOLDADORA DE RESISTENCIA

El operador tiene que conocer suficientemente el uso seguro de la soldadora por puntos y tiene que informarse sobre los riesgos relacionados con los procedimientos para soldadura de resistencia, con las medidas de protección correspondientes y con los procedimientos de emergencia.



- Ejecutar la instalación eléctrica cumpliendo las normas previstas y las leyes en materia de prevención de accidentes.
- La soldadora por puntos debe conectarse exclusivamente a un sistema de alimentación con conductor de neutro conectado a tierra.
- Comprobar que el conector de alimentación se haya conectado correctamente a la tierra de protección.
- No utilizar cables con aislamiento deteriorado o con conexiones aflojadas.
- Utilizar la soldadora por puntos a una temperatura ambiente del aire incluida entre 5°C y 40°C, y con humedad relativa equivalente al 50% para temperaturas de 40°C, y del 90% para temperaturas de hasta 20°C.
- No utilizar la soldadora por puntos en ambientes húmedos o mojados o bajo la lluvia.
- La conexión de los cables de soldadura y cualquier intervención de mantenimiento ordinario en los brazos y/o electrodos tienen que ser realizadas con la soldadora por puntos apagada y desconectada de la red de alimentación eléctrica y neumática (si presente).
El mismo procedimiento tiene que observarse para la conexión a la red hidrica o a una unidad de refrigeración con el circuito cerrado (soldadoras por puntos refrigeradas con agua) y en cada caso de intervenciones de reparación (intervenciones de mantenimiento extraordinario).



- Se prohíbe utilizar el equipo en ambientes con zonas clasificadas como zonas de riesgo de explosión, por la presencia de gases, polvos o neblinas.
- No soldar en contenedores, recipientes o tuberías que contengan o que hayan contenido productos inflamables líquidos o gaseosos.
- Evitar operar en materiales limpios con disolventes clorurados o cerca de estas sustancias.
- No soldar en recipientes presurizados.
- Alejar del área de trabajo todas las sustancias inflamables (por ejemplo madera, papel, trapos, etc.).
- ¡Dejar refrigerar la pieza que se acaba de soldar! No colocar la pieza cerca de sustancias inflamables.
- Asegurarse un cambio de aire adecuado o con medios adecuados a sacar los humos de soldadura cerca de los electrodos; es necesario un acercamiento sistemático para la evaluación de los límites a la exposición de los humos de soldadura en función de su composición, concentración y duración de la exposición misma.



- Siempre proteger los ojos con las gafas de protección correspondientes.
- Ponerse guantes y ropa de protección adecuados a las elaboraciones con soldadura de resistencia.
- Ruido: Si a causa de operaciones de soldadura especialmente intensivas se presenta un nivel de exposición diaria personal (LEP,d) igual o mayor a 85 db(A) es obligatorio el uso de medios de protección personal adecuados.



- El paso de la corriente de soldadura por puntos causa la formación de campos electromagnéticos (EMF) localizados alrededor del circuito de soldadura por puntos.

Los campos electromagnéticos pueden interferir con algunos equipos médicos (por ejemplo Marcador de pasos, respiradores, prótesis metálicas, etc.). Siempre tienen que tomarse medidas de protección adecuadas hacia los portadores de estos equipos. Por ejemplo, prohibir el acceso al área de uso de la soldadora por puntos.
Esta soldadora por puntos cumple los estándares técnicos de producto para el uso exclusivo en ambiente industrial a fines profesionales. No se asegura el cumplimiento de los límites de base relativos a la exposición humana a los campos electromagnéticos en ambiente doméstico.

El operador tiene que utilizar los procedimientos siguientes, con el fin de reducir la exposición de campos electromagnéticos:

- Fijar juntos lo más cerca posible los dos cables de soldadura por puntos (si presentes).
- Mantener el cabezal y el tronco del cuerpo lo más lejos posible del circuito de soldadura por puntos.
- Nunca envolver los cables de soldadura por puntos (si presentes) alrededor del cuerpo.
- No puntar con el cuerpo en medio del circuito de soldadura por puntos. Mantener ambos cables del mismo lado del cuerpo.
- Conectar el cable de retorno de la corriente de soldadura por puntos (si presente) a la pieza que tiene que soldarse, lo más cerca posible de la junta que se está ejecutando.
- No soldar cerca, sentados o apoyados en la soldadora por puntos (distancia mínima: 50cm).
- No dejar objetos ferromagnéticos cerca del circuito de soldadura por puntos.
- Distancia mínima:
 - d= 3cm, f= 50cm (Fig. G);
 - d= 3cm, f= 50cm (Fig. H);
 - d= 30cm (Fig. I);
 - d= 20cm (Fig. L) Studter.



- Equipo de clase A:
Esta soldadora por puntos cumple los requisitos del estándar técnico de producto para el uso exclusivo en ambiente industrial a fines profesionales. No se asegura el cumplimiento de la compatibilidad electromagnética en los edificios domésticos y en los edificios directamente conectados a una red de alimentación de baja tensión que alimenta los edificios residenciales.

USO PREVISTO

La instalación tiene que utilizarse para la soldadura por puntos de una o varias chapas de acero con bajo contenido de carbono, de forma y dimensiones variables en función de la elaboración que hay que ejecutar.



RIESGOS RESIDUALES
RIESGO DE APLASTAMIENTO DE LAS EXTREMIDADES SUPERIORES
¡NO PONER LAS MANOS CERCA DE PARTES EN MOVIMIENTO!

La modalidad de funcionamiento de la soldadora por puntos y la variabilidad de forma y dimensiones de la pieza en elaboración impiden la realización de una protección integrada contra el peligro de aplastamiento de las extremidades superiores: dedos, mano, antebrazo.

El riesgo tiene que reducirse adoptando las medidas de prevención oportunas:

- El operador tiene que ser experto o instruido sobre el procedimiento de soldadura de resistencia con este tipo de equipos.
- Tiene que realizarse una evaluación del riesgo para cada tipo de trabajo que hay que ejecutar; hay que preparar equipos y enmascaramientos aptos a soportar y guiar la pieza en elaboración, con el fin de alejar las manos de la zona peligrosa que corresponde a los electrodos.
- En caso de uso de una soldadora por puntos portátil: agarrar firmemente la pinza con ambas manos en los mangos correspondientes; siempre mantener las manos lejos de los electrodos.
- En todos los casos en que la conformación de la pieza lo haga posible, regular la distancia de los electrodos, con el fin que no se superen los 6 mm de recorrido.
- Impedir que varias personas trabajen contemporáneamente con la misma soldadora por puntos.
- La zona de trabajo tiene que resultar inaccesible a las personas extrañas.
- No dejar la soldadora por punto sin vigilancia: en este caso es obligatorio desconectarla de la red de alimentación; en las soldadoras por puntos de accionamiento con cilindro neumático llevar el interruptor general a "O" y bloquearlo con el candado entregado; la llave tiene que ser sacada y conservada por el responsable.
- Utilizar exclusivamente los electrodos previstos para la máquina (véase la lista de los repuestos), sin alterar la forma de los mismos.

RIESGO DE QUEMADURAS

Algunas partes de la soldadora por puntos (electrodos – brazos y áreas adyacentes) pueden alcanzar temperaturas superiores a 65°C: hay que ponerse ropa de protección adecuada.
¡Dejar refrigerar la pieza que se acaba de soldar antes de tocarla!

RIESGO DE VUELVO Y CAÍDA

- Colocar la soldadora por puntos en una superficie horizontal con una capacidad de carga adecuada a la masa; vincular en el plano de apoyo la soldadora por puntos (cuando se ha previsto en la sección "INSTALACIÓN" de este manual). De lo contrario, en presencia de superficies inclinadas o irregulares y de planos de apoyo móviles, existe el peligro de vuelco.

- Se prohíbe el levantamiento de la soldadora por puntos, salvo el caso expresamente previsto en la sección "INSTALACIÓN" del presente manual.
- En caso de uso de máquinas sobre carros: desconectar la soldadora por puntos de la alimentación eléctrica y neumática (si presente) antes de desplazar la unidad a otra zona de trabajo. Prestar atención a los obstáculos y a las irregularidades del suelo (por ejemplo cables y tubos).

USO IMPROPIO

Resulta peligroso el uso de la soldadora por puntos para cualquier elaboración diferente de la que se ha previsto (véase USO PREVISTO).



PROTECCIONES

Las protecciones y las partes móviles de la envoltura de la soldadora por puntos tienen que estar en posición antes de la conexión a la red de alimentación eléctrica.

¡ATENCIÓN! Cualquier intervención manual en las partes móviles accesibles de la soldadora por puntos, por ejemplo:

- Sustitución o mantenimiento de los electrodos
- Regulación de la posición de brazos o electrodos

TIENE QUE EJECUTARSE CON LA SOLDADORA POR PUNTOS APAGADA Y DESCONECTADA DE LAS REDES DE ALIMENTACIÓN ELÉCTRICA Y NEUMÁTICA (si presente).

INTERRUPTOR GENERAL BLOQUEADO EN "O" CON EL CANDADO CERRADO Y LA LLAVE SACADA en los modelos con accionamiento de CILINDRO NEUMÁTICO.

ALMACENAMIENTO

- Colocar la máquina y sus accesorios (con o sin embalaje) en locales cerrados.
 - La humedad relativa del aire nunca tiene que ser superior al 80%.
 - La temperatura ambiente tiene que estar incluida entre los -15°C y los 45°C.
- En caso de máquina equipada con unidad de refrigeración con agua y temperatura ambiente inferior a los 0°C: añadir el líquido anticongelante previsto o bien vaciar completamente el circuito hidráulico y el tanque del agua. Siempre utilizar medidas adecuadas para proteger la máquina de la humedad, de la suciedad y de la corrosión.

2. INTRODUCCIÓN Y DESCRIPCIÓN GENERAL

2.1 INTRODUCCIÓN

Soldadora por puntos portátil para soldadura por resistencia.

La serie está compuesta por 3 modelos:

5.8kA:

Soldadora por puntos portátil con temporizador electrónico. Permite una precisa ejecución de los puntos de soldadura gracias al control electrónico del tiempo de soldadura por puntos, y la regulación de la fuerza de los electrodos. Capacidad de soldadura por puntos en chapa de acero de bajo contenido en carbono (brazos estándar) hasta un espesor de 1+1 mm.

6.9kA (230V):

Soldadora por puntos portátil con control digital por microprocesador.

Las principales características que se pueden modificar son:

- Selección del espesor de las chapas a soldar por puntos.
- Corrección del tiempo de soldadura por puntos.
- Posibilidad de inserción de la pulsación de la corriente de soldadura por puntos.
- Regulación de la fuerza de punteado.
- Capacidad de soldadura por puntos en chapa de acero de bajo contenido en carbono (brazos estándar) hasta un espesor de 2+2 mm.

6.9kA (400V):

Soldadora por puntos portátil con control digital por microprocesador.

Tiene las mismas características del modelo 6.9kA (230V), pero funciona con una tensión de alimentación de 400V(380V-415V).

2.2 ACCESORIOS DE SERIE

El equipamiento de base de la máquina incluye brazos de 120 mm. y electrodos estándar.

2.3 ACCESORIOS BAJO SOLICITUD

- Pares de brazos y electrodos con longitud y/o forma diferente, incluso en kit que incluye varios pares.
- Carro para brazos: permite apoyar la soldadora y los accesorios.

3. DATOS TÉCNICOS

3.1 CHAPA DE DATOS (FIG. A)

Los principales datos relativos al empleo y a las prestaciones de la soldadora por puntos se resumen en la chapa de características con el siguiente significado:

- 1- Número de las fases y frecuencia de la línea de alimentación.
- 2- Tensión de alimentación.
- 3- Potencia nominal de red con relación de intermitencia del 50%.
- 4- Potencia de red con régimen permanente (100%).
- 5- Tensión máxima sin carga en los electrodos.
- 6- Corriente máxima con electrodos en cortocircuito.
- 7- Fuerza máxima que pueden ejercer los electrodos.
- 8- Corriente en secundario con régimen permanente (100%).

Nota: El ejemplo de chapa incluido es una indicación de los símbolos y de las cifras; los valores exactos de los datos técnicos de la soldadora por puntos en su posición deben controlarse directamente en la chapa de la misma soldadora por puntos.

3.2 OTROS DATOS TÉCNICOS

Características generales: TAB. 1.

Masa de la soldadora por puntos: TAB. 7.

4. DESCRIPCIÓN DE LA SOLDADORA POR PUNTOS

4.1 COMPONENTES PRINCIPALES Y REGULACIONES (FIG. B)

- 1- Tornillo de regulación fuerza electrodos.
- 2- Mango que se puede colocar a derecha / izquierda.
- 3- Agujero para montaje de un posible bulón de suspensión.
- 4- Brazo de soldadura móvil.
- 5- Brazo de soldadura fijo.
- 6- Cable de alimentación.
- 7- Chapa de características.
- 8- Microswitch.
- 9- Regulación del tiempo de soldadura por puntos (sólo en el modelo 5.8kA (FIG. B1)); para los modelos 6.9kA véase 4.2: PANEL COMANDOS.
- 10- Palanca de soldadura por puntos.

4.2 PANEL DE MANDOS (sólo en los modelos 6.9kA) (FIG. C)

- 1- Tecla para la corrección del tiempo de soldadura por puntos:

ajusta el tiempo de soldadura en relación a las condiciones por defecto de fábrica.

2- Tecla para la selección del espesor de la chapa:

selecciona el espesor de la chapa que se debe soldar.

3- Pulsador de selección de la modalidad de soldadura por puntos:



la corriente de soldadura es pulsante.

Con esta selección se mejora la capacidad de soldadura por puntos en chapas con un límite alto de deformación o chapas con películas protectoras especiales. El periodo de pulsación es automático, no son necesarias ulteriores regulaciones.

— : soldadura por puntos normal.

4- LEDS de señalación de intervención de la protección térmica.

Los dos leds parpadean alternativamente, los otros leds están pagados, señalando el bloqueo de la soldadora por puntos por sobretensión; el restablecimiento es automático cuando la temperatura vuelve dentro de los límites previstos.

5. INSTALACIÓN



¡ATENCIÓN! EFECTUAR TODAS LAS OPERACIONES DE INSTALACIÓN Y CONEXIONES ELÉCTRICAS CON LA SOLDADORA POR PUNTOS RIGurosAMENTE APAGADA Y DESCONECTADA DE LA RED DE ALIMENTACIÓN.

LAS CONEXIONES ELÉCTRICAS Y NEUMÁTICAS DEBEN SER EFECTUADAS EXCLUSIVAMENTE POR PERSONAL EXPERTO O CUALIFICADO.

5.1 PREPARACIÓN

Desembalar la soldadora por puntos, efectuar el montaje de las partes que están separadas, contenidas en el embalaje.

5.2 MODALIDAD DE ELEVACIÓN

ATENCIÓN: Todas las soldadoras por puntos descritas en este manual no tienen dispositivos de elevación; en el caso que se desee aplicar un bulón de suspensión para suspender la soldadora por puntos utilizando el agujero (FIG. F(2)), poner atención en que la pata con rosca no entre más de 8 mm.

5.3 UBICACIÓN

Reservar a la zona de instalación un área suficientemente amplia y sin obstáculos para garantizar la accesibilidad al panel de control y al área de trabajo (electrodos) en condiciones de seguridad.

Comprobar que no hay obstáculos en correspondencia de las aperturas de entrada o salida del aire de refrigeración, verificando que no se pueden aspirar polvos conductivos, vapores corrosivos, humedad, etc.

Posicionar la soldadora por puntos en una superficie plana de material homogéneo y compacto apta para soportar el peso (véase "datos técnicos"), para evitar el peligro de vuelco o desplazamientos peligrosos.

5.4 CONEXIÓN A LA RED

5.4.1 Advertencias

- Antes de realizar cualquier conexión eléctrica, comprobar que los datos de placa de la soldadora por puntos correspondan a la tensión y a la frecuencia de red disponibles en el lugar de instalación.

- La soldadora por puntos debe conectarse exclusivamente a un sistema de alimentación con conductor de neutro conectado a masa.

- Para garantizar la protección contra el contacto indirecto, utilizar interruptores diferenciales del tipo:

- Tipo A (para máquinas monofásicas;

- Tipo B (para máquinas trifásicas.

- Con el fin de cumplir los requisitos de la Norma EN 61000-3-11 (Flicker), se aconseja la conexión de la soldadora por puntos a los puntos de interfaz de la red de alimentación que presentan una impedancia menor de $Z_{\max} = 0.179$ ohmios.

- La soldadora por puntos no cumple los requisitos de la norma IEC/EN 61000-3-12. Si ésta se conecta a una red de alimentación pública, es responsabilidad del instalador o del utilizador comprobar que puede conectarse la soldadora por puntos (si es necesario, consultar con el gestor de la red de distribución).

5.4.2 Enchufe y toma de corriente

Conectar al cable de alimentación un enchufe que cumpla las normas (3P+T: se utilizan sólo 2 polos para la conexión 400 V INTERFÁSICA; 2P + T conexión 230V MONOFÁSICA) de la capacidad adecuada y preparar una toma de corriente de red protegida por fusibles o por interruptor automático magnetotérmico; el terminal de tierra correspondiente debe conectarse al conductor de tierra (amarillo-verde) de la línea de alimentación.

La modalidad de conexión y el número de polos del enchufe a utilizar, en función del sistema de distribución y de la tensión de alimentación de su soldadora por puntos debe corresponder a cuanto previsto en las tablas (TAB. 2; 3; 4; 5).

La capacidad del enchufe y la característica de intervención de los fusibles y del interruptor magnetotérmico se indican en las TAB. 1 y TAB. 7.

Si se instalan más soldadoras por puntos, distribuir la alimentación de manera cíclica entre las tres fases, de manera que se realice una carga más equilibrada; ejemplo:

Soldadoras por puntos 230V:

Soldadora por puntos 1 : alimentación L1-N.

Soldadora por puntos 2 : alimentación L2-N.

Soldadora por puntos 3 : alimentación L3-N.

etc.

Soldadoras por puntos 400V:

Soldadora por puntos 1 : alimentazione L1-L2.

Soldadora por puntos 2 : alimentazione L2-L3.

Soldadora por puntos 3 : alimentazione L3-L1.

etc.



¡ATENCIÓN! La falta de respeto de las reglas antes expuestas hace ineficaz el sistema de seguridad previsto por el fabricante (clase I) con los consiguientes graves riesgos para las personas (Ej. descarga eléctrica) y para las cosas (Ej. incendio).

6. SOLDADURA (Soldadura por puntos)

6.1 OPERACIONES PRELIMINARES

Antes de efectuar cualquier operación de soldadura por puntos, es necesario efectuar una serie de comprobaciones y controles con la soldadora desconectada de la red:

- 1- Controle que la conexión eléctrica esté correctamente efectuada según las instrucciones precedentes.

- 2- Alineación y fuerza de los electrodos:
- bloquear cuidadosamente el electrodo inferior en la posición más adecuada al trabajo en ejecución,
 - aflojar el tornillo de fijación del electrodo superior para permitir el deslizamiento en su agujero del brazo,
 - poner entre los electrodos un espesor equivalente al de la chapas a soldar por puntos,
 - **FIG. D** cerrar la palanca 2 hasta que los brazos queden paralelos y las puntas de los electrodos coincidan; atornillar el tornillo 3 (d. M6) incluido, en el agujero 1, para bloquear la palanca en posición adecuada para efectuar la regulación de la fuerza,
 - bloquear en la posición correcta el electrodo superior apretando cuidadosamente el tornillo,
 - regular la fuerza ejercida por los electrodos en fase de soldadura por puntos FIG. E usando el tornillo de regulación (1) utilizando la llave incluida; el valor fijado, en función de la posición del índice en la escala graduada, se indica en la FIG.F. La TAB.6 indica el valor de la fuerza que se puede obtener con las diferentes longitudes de los brazos.
- Atornillar en sentido horario (a la derecha) para aumentar la fuerza proporcionalmente al aumento del espesor de las chapas, adaptando en cualquier caso una regulación de manera que permita el cierre de la pinza y el accionamiento relativo del microswitch ejerciendo un esfuerzo limitado.

6.2 REGULACIÓN DE LOS PARÁMETROS

6.2.1 Modelos 6.9kA:

- seleccionar el espesor de la chapa a soldar por puntos, utilizando la tecla (2 - FIG. C) colocado en el panel de mando de la soldadora por puntos;
 - seleccionar el tipo de soldadura por puntos (continua o pulsada) utilizando la tecla (3- FIG.C).
- Se puede corregir en más o en menos, si es necesario, el tiempo de soldadura por puntos por defecto utilizando la tecla (1- FIG. C).

6.2.2 Modelo 5.8kA:

Regular el tiempo de soldadura por puntos utilizando el potenciómetro (9 - FIG. B1) colocado en la parte posterior de la soldadora; utilizar los valores más bajos posibles que sean compatibles con la correcta ejecución del punto (véase: 6.3 PROCEDIMIENTO).

6.3 PROCEDIMIENTO

Después de haber alimentado la soldadora por puntos, para la ejecución de la soldadura por puntos seguir las siguientes instrucciones:

- apoyar el electrodo inferior en la chapa a soldar;
- accionar la palanca de la pinza hasta el tope de final de recorrido y después apretar el microswitch (8-FIG. B) obteniendo:
 - a) cierre de las chapas entre los electrodos con la fuerza prerregulada;
 - b) paso de la corriente de soldadura durante el tiempo prefijado.
- soltar la palanca de la pinza después de unos segundos. Este retraso (mantenimiento) confiere al punto unas mejores características mecánicas.

Si se carece de experiencia específica es adecuado efectuar algunas pruebas de soldadura por puntos utilizando espesores de chapa de la misma calidad y espesor que el trabajo a efectuar.

La ejecución del punto se considera correcta cuando, sometiendo una muestra a prueba de tracción se provoca la extracción del núcleo del punto de soldadura de una de las dos chapas.



¡ATENCIÓN! La soldadora por puntos se ha equipado con un conductor de protección que conecta el circuito de soldadura directamente a tierra.

¡Efectuar la soldadura sólo si las chapas que hay que unir se han aislado de tierra!

De lo contrario, interrumpir inmediatamente el trabajo de soldadura y hacer controlar el conductor de protección de la instalación y de la soldadora por puntos por una persona experta o capacitada en ámbito técnico.

7. MANTENIMIENTO



¡ATENCIÓN! ANTES DE REALIZAR LAS OPERACIONES DE MANTENIMIENTO, COMPROBAR QUE LA SOLDADORA POR PUNTO SE ENCUENTRE APAGADA Y DESCONECTADA DE LAS REDES DE ALIMENTACIÓN ELÉCTRICA Y NEUMÁTICA (si presente).

En las versiones con accionamiento con cilindro neumático hay que bloquear el interruptor en la posición "O" con el candado entregado.

7.1 MANTENIMIENTO ORDINARIO

LAS OPERACIONES DE MANTENIMIENTO ORDINARIO PUEDEN SER REALIZADOS POR EL OPERADOR.

- adaptación/restablecimiento del diámetro y del perfil de la punta del electrodo;
- control de alineación de los electrodos;
- control de la carga del resorte (fuerza de los electrodos);
- control de la integridad del cable de alimentación de la soldadora por puntos y de la pinza;
- sustitución de los electrodos y de los brazos.

7.2 MANTENIMIENTO EXTRAORDINARIO

LAS OPERACIONES DE MANTENIMIENTO EXTRAORDINARIO DEBEN SER REALIZADAS EXCLUSIVAMENTE POR PERSONAL EXPERTO O CAPACITADO EN ÁMBITO ELÉCTRICO-MECÁNICO.



¡ATENCIÓN! ANTES DE QUITAR LOS PANELES DE LA SOLDADORA POR PUNTOS Y ACCEDER A SU INTERIOR, COMPROBAR QUE LA MISMA SOLDADORA POR PUNTOS ESTÉ APAGADA Y DESCONECTADA DE LAS REDES DE ALIMENTACIÓN ELÉCTRICA Y NEUMÁTICA (si presente).

Los posibles controles realizados con la alimentación eléctrica conectada en el interior de las soldadoras por puntos pueden causar electrocución grave originada por contacto directo con partes alimentadas eléctricamente y/o lesiones debidas al contacto directo con componentes en movimiento.

Periódicamente y, de cualquier forma, con una frecuencia establecida en función del uso y de las condiciones ambientales, inspeccionar el interior de la soldadora por puntos y remover el polvo y las partículas metálicas que se han depositado en el transformador, en el módulo de tiristores, en el módulo diodos, en la bornera de alimentación, etc., utilizando un chorro de aire comprimido seco (máximo 5bar).

Evitar dirigir el chorro de aire comprimido hacia las tarjetas electrónicas;

proceder a su posible limpieza con un cepillo muy suave o usando disolventes adecuados.

En esa oportunidad:

- comprobar que los cableados no presenten daños en el aislamiento o conexiones aflojadas-oxidadas;
 - lubricar las articulaciones y los pernos;
 - comprobar que los tornillos de conexión del secundario del transformador a las fundiciones porta-brazos se encuentren bien apretadas y no haya marcas de oxidación y recalentamiento; lo mismo hay que decir para los tornillos de bloqueo de los brazos y de los portaelectrodos;
 - comprobar que los tornillos de conexión del secundario del transformador a las barras / trenzas de salida se hayan cerrado bien y que no haya marcas de oxidación y recalentamiento;
 - comprobar la continuidad del circuito de tierra de la máquina con el circuito de soldadura (electrodos);
 - comprobar que los tornillos de conexión del secundario del transformador (si presentes) se hayan cerrado bien y que no haya marcas de oxidación y recalentamiento;
 - después de haber ejecutado el mantenimiento o la reparación, restablecer las conexiones y los cableados como eran originariamente, prestando atención a que los mismos no entren en contacto con partes en movimiento o componentes que puedan alcanzar temperaturas elevadas. Clasificar todos los conductores como lo estaban originariamente, prestando atención a mantener bien separadas las conexiones del primario de alta tensión con respecto a los conductores secundarios de baja tensión.
- Utilizar todas las arandelas y los tornillos originales para volver a cerrar la carpintería metálica.

7.3 BÚSQUEDA DE AVERÍAS

EN CASO DE FUNCIONAMIENTO INSATISFACTORIO, Y ANTES DE REALIZAR CONTROLES MÁS SISTEMÁTICOS O DE DIRIGIRSE AL CENTRO DE ASISTENCIA DE REFERENCIA, COMPROBAR QUE:

- Con la palanca de soldadura accionada se apriete efectivamente el microinterruptor, enviando el consenso para la soldadura a la tarjeta electrónica.
- No hayan intervenido las protecciones térmicas.
- Los elementos que pertenecen al circuito secundario (fusiones porta-brazos – brazos – portaelectrodos) no tienen que ser ineficientes a causa de tornillos aflojados u oxidaciones.
- Los parámetros de soldadura (fuerza y diámetro de los electrodos, tiempo de soldadura) no sean inadecuados para el trabajo que se está ejecutando.

1. ALLGEMEINES ZUR SICHERHEIT BEIM WIDERSTANDSSCHWEISSEN.....	17	6.1 VORBEREITENDE TÄTIGKEITEN	19
2. EINFÜHRUNG UND ALLGEMEINE BESCHREIBUNG	18	6.2 EINSTELLUNG DER PARAMETER.....	19
2.1 EINFÜHRUNG	18	6.2.1 Modelle 6.9kA:.....	19
2.2 SERIENMÄSSIGES ZUBEHÖR.....	18	6.2.2 Modell 5.8kA:.....	19
2.3 AUF ANFRAGE ERHÄLTliches ZUBEHÖR.....	18	6.3 VERFAHREN	19
3. TECHNISCHE DATEN	18	7. WARTUNG	19
3.1 DATENSCHILD (ABB. A).....	18	7.1 ORDENTLICHE WARTUNG	19
3.2 SONSTIGE TECHNISCHE DATEN.....	18	7.2 AUSSERORDENTLICHE WARTUNG.....	19
4. BESCHREIBUNG DER PUNKTSCHWEISSMASCHINE	18	7.3 FEHLERSUCHE.....	19
4.1 HAUPTKOMPONENTEN UND EINSTELLUNGEN (ABB. B)	18		
4.2 STEUERTAFEL (nur bei den Modellen 6.9kA) (ABB. C).....	18		
5. INSTALLATION.....	18		
5.1 EINRICHTUNG	18		
5.2 ANHEBEN	18		
5.3 LAGE	18		
5.4 NETZANSCHLUSS	18		
5.4.1 Hinweise.....	18		
5.4.2 Stecker und Dose.....	18		
6. SCHWEISSEN (Punktschweißen)	19		

WIDERSTANDSSCHWEISSGERÄTE FÜR GEWERBE UND BERUF.

Anmerkung: Im folgenden Text wird der Begriff „Punktschweißmaschine“ verwendet.

1. ALLGEMEINES ZUR SICHERHEIT BEIM WIDERSTANDSSCHWEISSEN

Der Bediener muss eingehend in den sicheren Gebrauch der Punktschweißmaschine eingewiesen und zu den bei Widerstandsschweißverfahren auftretenden Risiken, zu den entsprechenden Schutzmaßnahmen und zum Verhalten im Notfall informiert worden sein.



- Die Elektroinstallation ist nach den einschlägigen Vorschriften und Unfallverhütungsgesetzen vorzunehmen.
 - Die Punktschweißmaschine darf ausschließlich an ein Versorgungssystem mit geerdetem Nulleiter angeschlossen werden.
 - Vergewissern Sie sich, dass die Stromsteckdose korrekt an die Schutzerde angeschlossen ist.
 - Verwenden Sie keine Kabel mit schadhafter Isolierung oder gelockerten Anschlüssen.
 - Verwenden Sie die Punktschweißmaschine bei einer Umgebungslufttemperatur zwischen 5°C und 40°C und bei einer relativen Luftfeuchtigkeit von 50% bis zu einer Temperatur von 40°C und von 90% bis zu Temperaturen von 20°C.
 - Die Punktschweißmaschine darf nicht in feuchten oder nassen Umgebungen oder im Regen verwendet werden.
 - Das Anschließen der Schweißkabel muss ebenso wie jede ordentliche Wartung an den Armen und / oder Elektroden bei ausgeschalteter und vom Strom- und Druckluftversorgungsnetz (falls vorhanden) getrennter Punktschweißmaschine erfolgen.
- Dieselbe Vorgehensweise gilt für den Anschluss an das Wassernetz oder eine Kühleinheit mit geschlossenem Kreislauf (wassergekühlte Punktschweißmaschinen) und in jedem Fall für Reparatureinsätze (außerordentliche Wartung).



- Untersagt ist der Gebrauch des Gerätes in Umgebungen mit Bereichen, die wegen vorkommender Gase, Stäube oder Nebel als explosionsgefährdet eingestuft sind.
- Nicht auf Behältern, Gefäßen oder Rohrleitungen schweißen, die entzündliche flüssige oder gasförmige Produkte enthalten oder enthalten haben.
- Vermeiden Sie es, auf Materialien zu arbeiten, die mit chlorierten Lösungsmitteln gesäubert worden sind. Ebenfalls zu vermeiden ist das Arbeiten in der Nähe dieser Stoffe.
- Nicht auf Gefäßen schweißen, die unter Druck stehen.
- Entfernen Sie alle entzündlichen Stoffe aus dem Arbeitsbereich (z. B. Holz, Papier, Lappen).
- Lassen Sie das frisch geschweißte Werkstück abkühlen! Das Werkstück nicht in der Nähe von entzündlichen Stoffen ablegen.
- Vergewissern Sie sich, dass ein ausreichender Luftaustausch besteht oder Mittel vorhanden sind, die sich eigenen, die Schweißdämpfe aus Elektrodennähe abzuführen. Erforderlich ist ein systematischer Ansatz, nach dem die Expositionsgrenzen der Schweißdämpfe in Abhängigkeit von ihrer Zusammensetzung, Konzentration und Einwirkungsdauer zu bewerten sind.



- Die Augen sind stets mit einer speziellen Schutzbrille zu schützen.
- Legen Sie Schutzhandschuhe und Schutzkleidung an, die für Widerstandsschweißarbeiten geeignet sind.
- Geräuschemission: Wenn aufgrund besonders intensiver Schweißarbeiten ein täglicher persönlicher Expositionspegel (LEP,d) von mindestens 85db(A) zustande kommt, ist der Gebrauch sachgerechter persönlicher Schutzausrüstungen vorgeschrieben.



- Beim Übergang des Punktschweißstroms entstehen in der Umgebung des Punktschweißstromkreises elektromagnetische Felder (EMF). Die elektromagnetischen Felder können einige medizinische Hilfsmittel stören (etwa Herzschrittmacher, Atemhilfen oder Metallprothesen). Für die Träger dieser Geräte müssen angemessene Schutzmaßnahmen getroffen werden. Beispielsweise ist ihnen der Zutritt zum Einsatzbereich der Punktschweißmaschine zu untersagen.
- Diese Punktschweißmaschine genügt den technischen Produktstandards für

den ausschließlichen Gebrauch für gewerbliche und berufliche Zwecke. Es ist nicht sichergestellt, dass sie den Basisgrenzwerten bezüglich der auf Menschen im häuslichen Umfeld einwirkenden elektromagnetischen Felder genügt.

Der Bediener hat sich folgendermaßen zu verhalten, um die Einwirkung elektromechanischer Felder zu begrenzen:

- Die beiden Punktschweißkabel (falls vorhanden) sind möglichst nahe beieinander zu fixieren.
- Halten Sie den Kopf und den Rumpf des Körpers möglichst weit vom Punktschweißstromkreis entfernt.
- Die Punktschweißkabel (falls vorhanden) dürfen niemals um den Körper gewickelt werden.
- Es darf nicht punktgeschweißt werden, während sich der Körper inmitten des Punktschweißstromkreises befindet. Halten Sie beide Kabel auf derselben Seite des Körpers.
- Schließen Sie das Rückleitungskabel für den Punktschweißstrom (falls vorhanden) möglichst nahe der ausgeführten Naht an das Werkstück an.
- Es darf nicht in der Nähe der Maschine, auf der Punktschweißmaschine sitzend oder an die Punktschweißmaschine gestützt punktgeschweißt werden (Mindestabstand: 50cm).
- Lassen Sie keine ferromagnetischen Gegenstände in der Nähe des Punktschweißstromkreises liegen.
- Mindestabstand:
 - d = 3cm, f = 50cm (ABB. G);
 - d = 3cm, f = 50cm (ABB. H);
 - d = 30cm (ABB. I);
 - d = 20cm (ABB. L) Studer.



- Geräte der Klasse A:

Diese Punktschweißmaschine genügt den Anforderungen der technischen Produktstandards für den ausschließlichen Gebrauch im Gewerbebereich und für berufliche Zwecke.

Nicht sichergestellt ist die elektromagnetische Verträglichkeit in Wohngebäuden und in solchen Gebäuden, in denen die Geräte direkt an ein für Wohngebäude typisches Niederspannungsversorgungsnetz angeschlossen wird.

BESTIMMUNGSGEMÄSSER GEBRAUCH

Die Anlage muss zum Punktschweißen einer oder mehrerer Bleche aus kohlenstoffarmem Stahl verwendet werden, deren Form und Abmessungen von der auszuführenden Bearbeitung abhängen.



RESTGEFAHREN QUETSCHGEFAHR FÜR DIE OBEREN GLIEDMASSEN

NICHT DIE HÄNDE IN DIE NÄHE VON SICH BEWEGENDEN TEILEN BRINGEN!
Die Funktionsweise der Punktschweißmaschine und die verschiedenen Formen und Abmessungen des Werkstücks verhindern die Errichtung eines integrierten Schutzes gegen die Quetschgefahr der oberen Gliedmaßen, also der Finger, Hände und Vorderarme.

Die Gefahr muss durch sachgerechte Vorbeugungsmaßnahmen reduziert werden:

- Der Bediener muss erfahren sein oder in das Widerstandsschweißverfahren mit dieser Art von Gerät eingewiesen sein.
- Es muss eine Beurteilung des Risikos für jede Art von auszuführender Arbeit vorgenommen werden. Es ist erforderlich, Ausrüstungen und Maskierungen bereitzustellen, die geeignet sind, das Werkstück während der Bearbeitung zu halten und zu führen, um die Hände vom Gefahrenbereich, also den Elektroden, entfernt halten zu können.
- Bei Verwendung einer tragbaren Punktschweißmaschine ist die Zange mit beiden Händen an den zugehörigen Griffen zu ergreifen. Halten Sie stets die Hände von den Elektroden fern.
- In allen Fällen, in denen die Beschaffenheit des Werkstücks dies gestattet, ist der Elektrodenabstand so einzustellen, dass 6 mm Abstand zum Werkstück nicht überschritten werden.
- Es ist zu vermeiden, dass mehrere Personen gleichzeitig mit derselben Punktschweißmaschine arbeiten.
- Der Zutritt zum Arbeitsbereich ist unbeteiligten Personen zu untersagen.
- Die Punktschweißmaschine darf nicht unbeaufsichtigt gelassen werden: In diesem Fall besteht die Pflicht, sie vom Versorgungsnetz zu trennen; bei durch Druckluftzylinder betätigten Punktschweißmaschinen den Hauptschalter auf „0“ führen und mit dem Vorhängeschloss aus dem Lieferumfang verriegeln. Der Schlüssel muss abgezogen und vom Verantwortlichen aufbewahrt werden.
- Verwenden Sie ausschließlich die für die Maschine vorgesehenen Elektroden (siehe Ersatzteilliste), deren Form nicht verändert werden darf.

- **VERBRENNUNGSGEFAHR**
Einige Teile der Punktschweißmaschine (Elektroden - Arme und angrenzende Bereiche) können Temperaturen von mehr als 65° C erreichen: Es ist sachgerechte Schutzkleidung zu tragen. Lassen Sie das frisch geschweißte Werkstück abkühlen, bevor Sie es berühren!
- **KIPP- UND STURZGEFAHR**
- Die Punktschweißmaschine auf eine waagerechte Fläche stellen, deren Tragfähigkeit dem Gewicht angepasst ist; die Punktschweißmaschine an der Auflagefläche verankern (falls laut Abschnitt „INSTALLATION“ in diesem Handbuch erforderlich). Andernfalls besteht bei abschüssigen oder holprigen Böden und beweglichen Auflageflächen Kippgefahr.
- Das Anheben der Punktschweißmaschine ist untersagt, es sei denn, es ist im Abschnitt „INSTALLATION“ in diesem Handbuch ausdrücklich vorgesehen.
- Bei Verwendung verfahrbarer Maschinen: Die Punktschweißmaschine von der Strom- und Druckluftversorgung (falls vorhanden) trennen, bevor die Einheit in einen anderen Arbeitsbereich verfahren wird. Achten Sie auf Hindernisse und Unregelmäßigkeit des Untergrundes (zum Beispiel Kabel und Rohre).
- **UNSACHGEMÄSSER GEBRAUCH**
Die Verwendung der Punktschweißmaschine für andere als die vorgesehene Bearbeitungsart ist gefährlich (siehe BESTIMMUNGSGEMÄSSER GEBRAUCH)



SCHUTZEINRICHTUNGEN UND GEHÄUSE

Die Schutzgehäuse und beweglichen Teile aus der Ummantelung der Punktschweißmaschine müssen richtig positioniert sein, bevor die Maschine an das Stromversorgungsnetz angeschlossen wird. ACHTUNG! Alle manuellen Eingriffe an zugänglichen beweglichen Teilen der Punktschweißmaschine wie etwa

- die Ersetzung oder Wartung der Elektroden
 - die Positionierung der Arme oder Elektroden
- MÜSSEN BEI AUSGESCHALTETER UND VOM STROM- UND DRUCKLUFTVERSORGNUNGSNETZ (falls vorhanden) GETRENNTER PUNKTSCHWEISSMASCHINE AUSGEFÜHRT WERDEN. DER HAUPTSCHALTER MUSS DABEI IN DER STELLUNG „0“ MIT EINEM ZUGESCHLOSSENEN VORHÄNGESCHLOSS GESPERRT SEIN, DESSEN SCHLÜSSEL ABGEZOGEN IST (bei Modellen mit Betätigung durch DRUCKLUFTZYLINDER).

EINLAGERUNG

- Die Maschine und ihr Zubehör ist (mit oder ohne Transportverpackung) in geschlossenen Räumlichkeiten aufzustellen.
 - Die relative Luftfeuchtigkeit darf 80% nicht überschreiten.
 - Die Umgebungstemperatur muss zwischen -15°C und 45°C liegen.
- Liegt bei Maschinen mit Wasserkühlung die Umgebungstemperatur unter 0°C; fügen Sie bitte die vorgesehene Frostschutzflüssigkeit hinzu oder entleeren Sie den Wasserkreislauf und den Wassertank vollständig. Treffen Sie stets sachgerechte Maßnahmen zum Schutz der Maschine vor Feuchtigkeit, Schmutz und Korrosion.

2. EINFÜHRUNG UND ALLGEMEINE BESCHREIBUNG

2.1 EINFÜHRUNG

Tragbare Punktschweißmaschine zum Widerstandsschweißen.

Die Baureihe besteht aus 3 Modellen:

- **5.8kA:**
Tragbare Punktschweißmaschine mit elektronischem Zeitwerk. Sie gestattet die präzise Ausführung der Schweißpunkte dank der elektronisch gesteuerten Punktschweißdauer und Elektrodenkraft. Punktschweißen auf Stahlblech mit geringem Kohleanteil (Standardarme) bis zu einer Stärke von 1+1 mm.
- **6.9kA (230V):**
Tragbare Punktschweißmaschine mit digitaler Mikroprozessorsteuerung. Folgende Haupteigenschaften können von der Steuertafel aus beeinflusst werden:
 - Einstellung der zu punktenden Blechstärke.
 - Korrektur der Punktschweißdauer.
 - Möglichkeit zum Einschalten des pulsierenden Punktschweißstroms.
 - Einstellung der Punktschweißkraft.
- Punktschweißen auf Stahlblech mit geringem Kohleanteil (Standardarme) bis zu einer Stärke von 2+2 mm.
- **6.9kA (400V):**
Tragbare Punktschweißmaschine mit digitaler Mikroprozessorsteuerung. Sie hat dieselben Eigenschaften wie das Modell 6.9kA (230V), wird aber mit einer Versorgungsspannung von 400V(380V-415V) betrieben.

2.2 SERIENMÄSSIGES ZUBEHÖR

Die Grundausstattung der Punktschweißmaschine umfasst Arme der Größe 120 mm und Standardelektroden.

2.3 AUF ANFRAGE ERHÄLTLICHES ZUBEHÖR

- Paare Arme und Elektroden abweichender Länge oder Form, auch im Kit mit mehreren Paaren erhältlich.
- Armwagen: Gestattet das Absetzen der Punktschweißmaschine und seines Zubehörs.

3. TECHNISCHE DATEN

3.1 DATENSCHILD (ABB. A)

Die wichtigsten Daten zum Einsatz und den Leistungen der Punktschweißmaschine sind auf dem Datenschild zusammengefasst. Die Angaben haben folgende Bedeutung.

- 1- Anzahl der Phasen und Frequenz der Versorgungsleitung.
- 2- Versorgungsspannung.
- 3- Nennwert der Netzleistung bei Einschaltdauer 50%.
- 4- Anschlussleistung im Dauerbetrieb (100%).
- 5- Max. Leerlaufspannung an den Elektroden.
- 6- Höchststrom bei Elektrodenkurzschluss.
- 7- Von den Elektroden ausübbarer Höchstkraft.
- 8- Strom zum Sekundärkreis im Dauerbetrieb (100%).

Anmerkung: Das beispielhaft genannte Schild gibt die Bedeutung der Symbole und Ziffern nur näherungsweise wieder; die genauen technischen Datenwerte der in Ihrem Besitz befindlichen Punktschweißmaschine müssen unmittelbar vom Typenschild der Punktschweißmaschine abgelesen werden.

3.2 SONSTIGE TECHNISCHE DATEN

Allgemeine Eigenschaften: TAB. 1.

Gewicht der Punktschweißmaschine: TAB. 7.

4. BESCHREIBUNG DER PUNKTSCHWEISSMASCHINE

4.1 HAUPTKOMPONENTEN UND EINSTELLUNGEN (ABB.B)

- 1- Stellschraube Elektrodenkraft.
- 2- Rechts-links-positionierbarer Griff.
- 3- Loch für die Anbringung eines Schäkels.
- 4- Beweglicher Schweißarm.
- 5- Feststehender Schweißarm.
- 6- Versorgungskabel.
- 7- Datenschild.
- 8- Mikroschalter.
- 9- Einstellung Punktschweißdauer (nur beim Modell 5.8kA (ABB. B1)) ; für die Modelle 6.9kA siehe 4.2 : STEUERTAFEL.
- 10- Punktschweißhebel.

4.2 STEUERTAFEL (nur bei den Modellen 6.9kA) (ABB. C)

- 1- Taste für die Korrektur der Punktschweißdauer:
Verstellt die Punktschweißdauer im Verhältnis zur Werkseinstellung.
- 2- Taste für die Einstellung der Blechstärke:
Zur Auswahl der zu punktenden Blechstärke.
- 3- Auswahlknopf für den Punktschweißmodus:



: pulsierender Schweißstrom.
Durch diese Einstellung wird die Punktschweißkapazität auf Blechen mit hoher Streckgrenze oder auf Blechen mit besonderen Schutzfilmen verbessert. Die Pulsierdauer wird automatisch vorgegeben und bedarf keiner Einstellung.



: Normales Punktschweißen.

4- Signal-LEDS Auslösen Wärmeschutz.

Die beiden Leds blinken abwechselnd, die restlichen Leds bleiben aus. Dadurch wird die Abschaltung der Punktschweißmaschine wegen Übertemperatur angezeigt; die Wiederherstellung des Betriebszustandes erfolgt automatisch beim erneuten Erreichen der vorgesehenen Temperaturwerte.

5. INSTALLATION



VORSICHT! BEI DEN ARBEITEN ZUR INSTALLATION UND ZUM ANSCHLUSS AN DIE ELEKTRISCHE UND PNEUMATISCHE VERSORGNUNG MUSS DIE PUNKTSCHWEISSMASCHINE UNBEDINGT AUSGESCHALTET UND VOM VERSORGNUNGSNETZ GETRENNT SEIN. DIE ELEKTRISCHEN UND PNEUMATISCHEN ANSCHLÜSSE DÜRFEN AUSSCHLIESSLICH VON ERFAHRENEN FACHLEUTEN VORGENOMMEN WERDEN.

5.1 EINRICHTUNG

Die Punktschweißmaschine von der Verpackung befreien und die losen, mitgelieferten Teile montieren.

5.2 ANHEBEN

VORSICHT: Keine der in diesem Handbuch beschriebenen Punktschweißmaschinen verfügt über Hebevorrichtungen; falls ein Schäkel zum Anheben der Punktschweißmaschine im Loch (ABB. F (2)) angebracht werden soll, ist darauf zu achten, daß der Gewindegang nicht weiter als 8mm eindringt.

5.3 LAGE

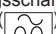

Die Installationszone muß weiträumig genug und frei von Hindernissen sein, um einen schnellen Zugang zur Steuertafel und zum Arbeitsbereich (Elektroden) in voller Sicherheit zu gewährleisten.

Überzeugen Sie sich, daß die Kühlluftzufuhr und -abfuhr nicht behindert wird. Sicherstellen, daß kein leitfähiger Staub, korrosive Dämpfe, Feuchtigkeit, etc. angesaugt werden.

Positionieren Sie die Punktschweißmaschine auf einer ebenen Fläche aus einheitlichem, festem Material, das geeignet ist, das Maschinengewicht zu tragen (siehe „technische Daten“) und die Gefahr des Umklippens und gefährlicher Gewichtsverlagerungen auszuschließen.

5.4 NETZANSCHLUSS

5.4.1 Hinweise

- Bevor ein elektrischer Anschluss hergestellt wird, ist zu prüfen, ob die Daten auf dem Typenschild der Punktschweißmaschine mit der Spannung und der Frequenz des am Installationsort verfügbaren Netzes übereinstimmen.
- Die Punktschweißmaschine darf ausschließlich an ein geerdetes Versorgungssystem mit Nulleiter angeschlossen werden.
- Um den Schutz gegen indirekten Kontakt zu gewährleisten, verwenden Sie bitte Leistungsschaltautomaten des folgenden Typs:
 - Typ A () für einphasige Maschinen;
 - Typ B () für dreiphasige Maschinen.

- Um den Anforderungen der Norm EN 61000-3-11 (Flicker) Genüge zu tun, wird empfohlen, die Punktschweißmaschine an solche Schnittstellen des Versorgungsnetzes anzuschließen, an denen die Impedanz weniger als Z_{max} = 0.179 Ohm beträgt.

- Die Punktschweißmaschine genügt nicht den Anforderungen der Norm IEC/EN 61000-3-12.

Wenn sie an ein öffentliches Versorgungsnetz angeschlossen wird, hat der Installierende oder der Betreiber pflichtgemäß unter seiner Verantwortung zu prüfen, ob die Punktschweißmaschine angeschlossen werden darf (falls erforderlich, ziehen Sie den Betreiber des Verteilernetzes zurate).

5.4.2 Stecker und Dose

Das Versorgungskabel ist mit einem sachgerecht belastbaren Normstecker zu verbinden (3P+T : es werden nur 2 Pole für den INTERPHASEN-Anschluss 400V benutzt; 2P+T: Anschluss 230V EINPHASIG). Es ist eine Netzdose einzurichten, die durch Schmelzsicherungen oder einen magnetothermischen Schutzschalter geschützt ist. Die zugehörige Erdungsklemme ist an den Erdleiter (gelbgrün) der Versorgungsleitung anzuschließen.

Die Art des Anschlusses und die Anzahl der Pole des zu verwendenden Steckers in Abhängigkeit vom Verteilersystem und von der Versorgungsspannung Ihrer Punktschweißmaschine muß den Tabellenangaben entsprechen (TAB. 2; 3; 4; 5).

Die Höchstlast des Steckers und die Auslösemerkmale der Schmelzsicherungen sowie des magnetothermischen Schalters sind in den Tabellen TAB. 1 und TAB. 7 aufgeführt. Wenn mehrere Punktschweißmaschinen angeschlossen werden, muß die Speisung zyklisch zwischen den drei Phasen verteilt werden, um eine ausgeglichene Last zu

gewährleisten. Beispiel:

Punktschweißmaschinen 230V:

- Punktschweißmaschine 1 : Versorgung L1-N.
- Punktschweißmaschine 2 : Versorgung L2-N.
- Punktschweißmaschine 3 : Versorgung L3-N.
- etc.

Punktschweißmaschinen 400V:

- Punktschweißmaschine 1 : Versorgung L1-L2.
- Punktschweißmaschine 2 : Versorgung L2-L3.
- Punktschweißmaschine 3 : Versorgung L3-L1.
- Etc.



VORSICHT! Bei Mißachtung der obigen Regeln ist das herstellerseitig vorgesehene Sicherheitssystem (Klasse I) unwirksam. Schwere Gefahren für die beteiligten Personen (z.B. Stromschlag) und Sachwerte (z. B. Brand) sind die Folge.

6. SCHWEISSEN (Punktschweißen)

6.1 VORBEREITENDE TÄTIGKEITEN

Vor dem Punktschweißen ist eine Reihe von Kontrollen und Einstellungen vorzunehmen, bei denen die Punktschweißmaschine vom Netz genommen sein muß:

- 1- Kontrollieren, ob der elektrische Anschluß nach den vorherigen Anleitungen ausgeführt wurde.
- 2- Ausrichtung und Kraft der Elektroden:
 - die untere Elektrode gut in der Stellung befestigen, die für die ausgeführte Arbeit am besten geeignet ist,
 - die Befestigungsschraube der oberen Elektrode lockern, damit diese in ihrem Loch des Armes gleiten kann,
 - Zwischen die Elektroden ein Paßstück legen, das der Stärke der zu punktenden Bleche entspricht,
 - **ABB. D** Hebel 2 schließen, bis die Arme parallel liegen und die Elektroden spitzen übereinstimmen; die beiliegende Schraube 3 (D. M6) in Loch 1 einschrauben, um den Hebel in geeigneter Stellung festzustellen, dann die Kraft einstellen,
 - die obere Elektrode durch sorgfältiges Anziehen der Schraube in der korrekten Position fixieren,
 - Die von den Elektroden beim Punktschweißen ausgeübte Kraft mit Hilfe des beiliegenden Schlüssels **ABB.E** durch Verstellen der Einstellschraube (1) regeln; der Einstellwert, abzulesen am Index auf der Meßskala, ist in **ABB. F** genannt.

TAB. 6 führt die Kraft auf, die durch unterschiedliche Armlängen erhältlich ist. Wird die Schraube im Uhrzeigersinn eingedreht (rechts), erhöht sich die Kraft proportional zur Erhöhung der Blechstärke. Man wählt jedoch die Einstellungen, welche das Schließen der Zange und die Betätigung des zugehörigen Mikroschalters unter Ausübung einer geringen Kraft erlauben.

6.2 EINSTELLUNG DER PARAMETER

6.2.1 Modelle 6.9kA:

- Die Stärke des zu punktenden Bleches mit der Taste (2 - **ABB. C**) einstellen, die sich auf der Steuertafel der Punktschweißmaschine befindet;
 - Die Art des Punktschweißens (kontinuierlich oder pulsiert) mit der Taste (3 - **ABB. C**) auswählen.
- Die werkseitig voreingestellte Punktschweißdauer läßt sich nötigenfalls mit Hilfe der Taste (1 - **ABB. C**) nach oben oder unten korrigieren.

6.2.2 Modell 5.8kA:

Die Punktschweißdauer mit dem Potentiometer (9 - **ABB.B1**) auf der Rückseite der Punktschweißmaschine regeln; verwenden Sie so niedrige Werte wie möglich, die für die korrekte Ausführung des Schweißpunktes geeignet sind (siehe: 6.3 VERFAHREN).

6.3 VERFAHREN

Nach dem Speisen der Punktschweißmaschine wird folgendermaßen punktgeschweißt:

- Die untere Elektrode auf dem zu punktenden Blech aufsetzen.
- Den Endschalterhebel der Zange betätigen, bis der Mikroschalter (8-**ABB.B**) gedrückt wird. Wirkung:
 - a) Einschließen der Bleche zwischen den Elektroden mit der vorgegebenen Kraft.
 - b) Durchströmen des Schweißstroms für die vorgesehene Dauer.
- Den Zangenhebel erst nach einigen Augenblicken loslassen. Diese Verzögerung (Haltezeit) verleiht dem Punkt bessere mechanische Eigenschaften.

Bei Fehlen einschlägiger Erfahrung ist es angebracht, einige Punktschweißproben auszuführen und dazu Blechstärken der gleichen Qualität und der gleichen Stärke wie für die auszuführende Arbeit zu benutzen.

Die Ausführung der Schweißstelle ist als korrekt anzusehen, wenn bei einer Zugprobe der Schweißpunkt kern aus einem der beiden Bleche herausgezogen wird.



ACHTUNG! Die Punktschweißmaschine ist mit einem Schutzleiter ausgestattet, der den Schweißstromkreis direkt mit der Erde verbindet.

Es darf nur dann geschweißt werden, wenn die zusammenzufügenden Bleche gegen Erde isoliert sind!

Andernfalls unterbrechen Sie sofort die Schweißarbeiten und lassen Sie den Schutzleiter der Anlage und der Punktschweißmaschine von einem technisch erfahrenen Fachmann überprüfen.

7. WARTUNG



ACHTUNG! VORDERDURCHFÜHRUNG VON WARTUNGSTÄTIGKEITEN IST SICHERZUSTELLEN, DASS DIE PUNKTSCHWEISSMASCHINE AUSGESCHALTET UND VON DEN VERSORGUNGSNETZEN FÜR STROM UND DRUCKLUFT (falls vorhanden) GETRENNT IST.

In den Ausführungen mit Betätigung durch Druckluftzylinder muss der Schalter mit dem beigestellten Vorhängeschloss in der Stellung „O“ gesichert werden.

7.1 ORDENTLICHE WARTUNG

DIE FOLGENDEN ZUR ORDENTLICHEN WARTUNG GEHÖRENDE TÄTIGKEITEN SIND VOM BEDIENER VORZUNEHMEN.

- Anpassung / Wiederherstellung des Durchmessers und des Profils der Elektroden spitze;
- Kontrolle der Elektrodenausrichtung;
- Kontrolle der Federbelastung (Elektrodenkraft);
- Prüfung des Versorgungskabels der Punktschweißmaschine und der Zange auf einwandfreien Zustand.
- Austausch der Elektroden und der Arme;

7.2 AUSSERORDENTLICHE WARTUNG

DIE ZUR AUSSERORDENTLICHEN WARTUNG GEHÖRENDE TÄTIGKEITEN SIND AUSSCHLIESSLICH FACHPERSONAL IM BEREICH ELEKTROMECHANIK VORBEHALTEN.



ACHTUNG! BEVOR DIE PLATTEN DER PUNKTSCHWEISSMASCHINE ENTFERNT WERDEN, UM AUF DEREN INNENBEREICH ZUZUGREIFEN, IST SICHERZUSTELLEN, DASS DIE PUNKTSCHWEISSMASCHINE AUSGESCHALTET UND VON DEN VERSORGUNGSNETZEN FÜR STROM UND DRUCKLUFT (falls vorhanden) GETRENNT IST.

Kontrollen im Innenbereich der Spannung führenden Punktschweißmaschine können bei direktem Kontakt mit unter Spannung stehenden Teilen zu schweren Stromschlägen und/oder bei direktem Kontakt mit Bewegungsorganen zu Verletzungen führen.

In regelmäßigen Zeitabständen, deren Länge vom Gebrauch und den Umgebungsbedingungen abhängt, ist der Innenbereich der Punktschweißmaschine zu prüfen. Dabei sind Staub und Metallteilchen, die sich auf dem Transformator, dem Thyristormodul, dem Diodenmodul, dem Versorgungsklemmbrett oder anderen Komponenten abgesetzt haben, mit einem trockenen Luftdruckstrahl (max. 5 bar) zu entfernen.

Vermeiden Sie es, den Druckluftstrahl auf die elektronischen Platinen zu richten. Diese sind bei Bedarf mit einer sehr weichen Bürste und geeigneten Lösemitteln zu reinigen.

Bei dieser Gelegenheit sollte Folgendes durchgeführt werden:

- Prüfen Sie, ob die Kabel Isolierungsschäden, lockere oder oxidierte Verbindungsstellen aufweisen.
 - Schmieren Sie die Gelenke und Stifte.
 - Prüfen Sie, ob die Schrauben fest angezogen sind, welche die Sekundärwicklung des Trafos an den als Armstützen dienenden Gussteilen festhalten, und ob die Schrauben Oxidierungs- oder Überhitzungsspuren aufweisen. Dasselbe gilt für die Halteschrauben der Arme und Elektrodenhalter.
 - Prüfen Sie, ob die Schrauben fest angezogen sind, welche die Sekundärwicklung des Trafos an den Schienen / Geflechden des Ausgangs festhalten, und ob die Schrauben Oxidierungs- oder Überhitzungsspuren aufweisen.
 - Prüfen Sie die Durchgängigkeit des Erdungskreislaufes der Maschine mit dem Schweißkreislauf (Elektroden).
 - Prüfen Sie, ob die Schrauben (falls vorhanden), welche die Sekundärwicklung des Trafos festhalten, fest angezogen sind und keine Oxidierungs- oder Überhitzungsspuren aufweisen.
 - Nach der Wartung oder Reparatur sind die Anschlüsse und Verkabelungen wieder in den ursprünglichen Zustand zu versetzen. Achten Sie darauf, dass diese nicht mit Bewegungsteilen oder solchen Teilen in Berührung kommen, die hohe Temperaturen erreichen können. Alle Leiter sind wieder wie im ursprünglichen Zustand zu bündeln. Achten Sie darauf, die Anschlüsse der Hochspannung führenden Primärwicklung von den Niederspannungsanschlüssen der Sekundärwicklung klar getrennt zu halten.
- Verwenden Sie alle ursprünglichen Unterlegscheiben und Schrauben zum erneuten Schließen der Metallplatten.

7.3 FEHLERSUCHE

ARBEITET DIE MASCHINE NICHT ZUFRIEDENSTELLEND, SOLLTEN, BEVOR SIE SYSTEMATISCHE ÜBERPRÜFUNGEN ANSTELLEN ODER IHRE KUNDENDIENSTELLE EINSCHALTEN, DIE FOLGENDEN KONTROLLEN VORGENOMMEN WERDEN:

- Wird bei betätigtem Schweißhebel wirklich der Mikroschalter gedrückt und somit der Schweißplatine die Freigabe erteilt?
- Sind Thermoschutzeinrichtungen ausgelöst worden.
- Sind die Elemente des Sekundärkreises (als Armstützen dienende Gussteile - Arme - Elektrodenhalter) wegen gelockerter Schrauben oder Oxidationen unwirksam?
- Sind die Schweißparameter (Elektrodenkraft und Elektrodendurchmesser, Schweißzeit) für die gerade ausgeführte Arbeit ungeeignet?

	стр.	стр.	
1. ОБЩАЯ ТЕХНИКА БЕЗОПАСНОСТИ ПРИ КОНТАКТНОЙ СВАРКЕ	20	6.2.1 Модели 6.9kA:	22
2. ВВЕДЕНИЕ И ОБЩЕЕ ОПИСАНИЕ	21	6.2.2 Модель 5.8kA:	22
2.1 ВВЕДЕНИЕ	21	6.3 ПОРЯДОК СВАРКИ	22
2.2 СЕРИЙНЫЕ ПРИНАДЛЕЖНОСТИ	21	7. ТЕХНИЧЕСКОЕ ОБСЛУЖИВАНИЕ	22
2.3 ПРИНАДЛЕЖНОСТИ ПО ЗАКАЗУ	21	7.1 ПЛАНОВОЕ ТЕХОБСЛУЖИВАНИЕ	22
3. ТЕХНИЧЕСКИЕ ДАННЫЕ	21	7.2 ВНЕПЛАНОВОЕ ТЕХОБСЛУЖИВАНИЕ	22
3.1 ТАБЛИЧКА ДАННЫХ (РИС. А)	21	7.3 ПОИСК НЕИСПРАВНОСТЕЙ	22
3.2 ПРОЧИЕ ТЕХНИЧЕСКИЕ ДАННЫЕ	21		
4. ОПИСАНИЕ ТОЧЕЧНОЙ КОНТАКТНОЙ СВАРОЧНОЙ МАШИНЫ	21		
4.1 ОСНОВНЫЕ КОМПОНЕНТЫ И РЕГУЛИРОВАНИЕ (РИС. В)	21		
4.2 ПАНЕЛЬ УПРАВЛЕНИЯ (только у моделей 6.9kA) (РИС. С)	21		
5. УСТАНОВКА	21		
5.1 ОСНАЩЕНИЕ	21		
5.2 СПОСОБ ПОДЪЕМА	21		
5.3 РАСПОЛОЖЕНИЕ	21		
5.4 СОЕДИНЕНИЕ С СЕТЬЮ	21		
5.4.1 Предупреждения	21		
5.4.2 Вилка и розетка	22		
6. СВАРКА (Точечная сварка)	22		
6.1 ПРЕДВАРИТЕЛЬНЫЕ ОПЕРАЦИИ	22		
6.2 РЕГУЛИРОВАНИЕ ПАРАМЕТРОВ	22		

ОБОРУДОВАНИЕ ДЛЯ КОНТАКТНОЙ СВАРКИ (СОПРОТИВЛЕНИЕМ) ДЛЯ ПРОМЫШЛЕННОГО И ПРОФЕССИОНАЛЬНОГО ИСПОЛЬЗОВАНИЯ.
Примечание: Далее в тексте будет использоваться термин «аппарат для точечной сварки».

1. ОБЩАЯ ТЕХНИКА БЕЗОПАСНОСТИ ПРИ КОНТАКТНОЙ СВАРКЕ

Оператор должен быть ознакомлен с безопасным использованием аппарата для точечной сварки и проинформирован о рисках, связанных с выполнением контактной сварки, с соответствующими мерами защиты и порядком действий в аварийных ситуациях.



- Выполните электрическое соединение в соответствии с действующими нормами и правилами техники безопасности.
- Аппарат для точечной сварки разрешается подключать только к системе питания с заземленным нейтральным проводом.
- Убедитесь, что розетка сети питания правильно соединена с защитным заземлением.
- Не использовать кабели с поврежденной изоляцией или с ослабленными соединениями.
- Используйте аппарат для точечной сварки при температуре от 5°C до 40°C и при относительной влажности воздуха 50% до температуры 40°C и 90% до температуры 20°C.
- Не используйте аппарат для точечной сварки во влажных или сырых помещениях, а также под дождем.
- При подсоединении сварочных кабелей и любом плановом техобслуживании кронштейнов и/или электродов, аппарат для точечной сварки должен быть выключен и отсоединен от сети питания и от пневматической сети (если она имеется). Тот же порядок должен соблюдаться при подсоединении к водопроводной сети или к охлаждающему блоку с закрытым контуром (аппараты для точечной сварки с водяным охлаждением) и всегда при проведении ремонтных работ (внеплановое техобслуживание).



- Запрещается использовать оборудование в местах, классифицированных как взрывоопасные зоны из-за присутствия газа, пыли или микроскопических частиц.
- Не проводить сварочные работы на контейнерах, емкостях или трубах, которые содержат или содержали жидкие или газообразные горючие вещества.
- Не проводить сварочные работы на материалах, чистка которых проводилась хлоросодержащими растворителями или вблизи указанных веществ.
- Не осуществляйте сварку резервуаров, находящихся под давлением.
- Очистите рабочее место от воспламеняющихся материалов (например, дерева, бумаги, тряпок и т.д.).
- После сварки позвольте детали остыть! Не размещайте деталь вблизи воспламеняющихся материалов.
- Обеспечьте достаточную вентиляцию рабочего места или воспользуйтесь специальными вытяжками для удаления дыма, образующегося в процессе сварки рядом с электродами; необходимо регулярно оценивать степень воздействия дымов в зависимости от их состава, концентрации и продолжительности воздействия.



- Всегда защищайте глаза специальными защитными очками.
- Обязательно используйте специальные защитные перчатки и одежду, подходящие для выполнения контактной сварки.
- Уровень шума: Если вследствие выполнения особенно интенсивной сварки ежедневный уровень воздействия на персонал (LEP,d) равен или превышает 85db(A), необходимо использовать индивидуальных средств защиты.



- Прохождение тока контактной сварки приводит к образованию вокруг сварочного контура электромагнитных полей (ЭМП). Электромагнитные поля могут взаимодействовать или мешать работе

некоторых медицинских устройств (например, электрокардиостимуляторов, дыхательных аппаратов, металлических протезов и т.д.). Необходимо предпринять надлежащие меры защиты по отношению к пользователям этих устройств. Например, запретите им находиться в зоне использования аппарата для точечной сварки. Этот аппарат для точечной сварки соответствует требованиям технических стандартов для изделий, предназначенных исключительно для использования в промышленной среде и в профессиональных целях. Не гарантируется соответствие требованиям о предельном воздействии электромагнитных полей на людей в жилых зданиях.

Для снижения воздействия электромагнитных полей оператор должен использовать указанные ниже меры:

- Подсоедините два кабеля точечной сварки (если они имеются) как можно ближе друг к другу.
- Следите за тем, чтобы ваша голова и туловище находилось как можно дальше от контура точечной сварки.
- Категорически запрещается оборачивать кабели точечной сварки (если они имеются) вокруг тела.
- Не осуществляйте точечную сварку, находясь внутри сварочного контура. Следите за тем, чтобы оба кабеля находились с одной стороны вашего тела.
- Подсоедините возвратный кабель тока точечной сварки (если он имеется) как можно ближе к выполняемому соединению.
- Не осуществляйте сварку сидя или облокотившись на аппарат для точечной сварки (минимальное расстояние: 50 см).
- Следите за тем, чтобы вблизи контура точечной сварки не было ферромагнитных предметов.
- Минимальное расстояние:
 - d = 3см, f = 50см (РИС. G);
 - d = 3см, f = 50см (РИС. H);
 - d = 30см (РИС. I);
 - d = 20см (РИС. L) Studer.



- Оборудование класса A: Этот аппарат для точечной сварки соответствует требованиям технических стандартов изделий, предназначенных исключительно для использования в промышленной среде и в профессиональных целях. Не гарантируется электромагнитная совместимость в жилых зданиях, а также в строениях, напрямую подсоединенных к линии питания низкого напряжения, предназначенной для жилых зданий.

ПРЕДПОЛАГАЕМЫЙ ВИД ИСПОЛЬЗОВАНИЯ

Оборудование можно использовать для точечной сварки одного или более листов из стали с низким содержанием углерода различных форм и размеров в зависимости от выполняемой работы.



ОСТАТОЧНЫЕ РИСКИ
РИСК РАЗДАВЛИВАНИЯ ВЕРХНИХ КОНЕЧНОСТЕЙ
ДЕРЖИТЕ РУКИ НА БЕЗОПАСНОМ РАССТОЯНИИ ОТ ПОДВИЖНЫХ ЧАСТЕЙ!
Режим работы аппарата для точечной сварки и разнообразие форм и размеров обрабатываемых деталей не позволяют создать встроенную защиту от раздавливания верхних конечностей (пальцев, кистей, предплечий).

Для снижения риска необходимо предпринять соответствующие предупредительные меры:

- Оператор должен быть высоко квалифицирован или должен быть ознакомлен с правилами безопасной контактной сварки с использованием данного типа оборудования.
- Необходимо оценить риски для каждого типа выполняемой работы; необходимо подготовить приспособления и экраны, предназначенные для поддержки и направления обрабатываемых деталей, что позволит держать руки на безопасном расстоянии от электродов.
- При использовании переносного аппарата для точечной сварки: крепко возьмитесь обеими руками за специальные рукоятки зажима; держите руки на безопасном расстоянии от электродов.
- Во всех случаях, когда это позволяет форма детали, отрегулируйте расстояние электродов таким образом, чтобы длина хода не превышала 6 мм.
- Запрещается одновременное использование одного аппарата для точечной сварки несколькими людьми.
- Запрещается нахождение посторонних людей в рабочей зоне.
- Не оставляйте аппарат для точечной сварки без надзора: в этом

случае его необходимо отсоединить от сети питания; на аппаратах для точечной сварки контактных с приводом от пневматического цилиндра необходимо заблокировать главный переключатель в положении «О» при помощи замка, входящего в комплектацию, ключ необходимо извлечь и передать на хранение ответственному лицу.

- Используйте только предназначенные для этого аппарата электроды (см. перечень запасных частей), не изменяя их формы.
- **ОПАСНОСТЬ ПОЛУЧЕНИЯ ОЖОГОВ**
Некоторые части аппарата для точечной сварки (электроды, кронштейны и прилегающие участки) могут достигать температуры выше 65°C: необходимо носить специальную защитную одежду. После сварки позволяйте детали остыть, прежде чем ее касаться!
- **РИСК ОПРОКИДЫВАНИЯ И ПАДЕНИЯ**
 - Установите аппарат для точечной сварки на горизонтальной поверхности с соответствующей грузоподъемностью; прикрепите аппарат для точечной сварки к опорной поверхности (согласно указаниям, изложенным в разделе «УСТАНОВКА» настоящего руководства). В противном случае, если пол наклонный или неровный или в случае использования переносных опорных поверхностях, существует риск опрокидывания.
 - Запрещается поднимать аппарат для точечной сварки, за исключением случаев, когда это в явном виде указано в разделе «УСТАНОВКА» настоящего руководства.
 - При использовании аппарата для точечной сварки, установленного на тележке: перед перемещением аппарата для точечной сварки на новое рабочее место, отсоедините его от сети питания и от пневматической сети (если она имеется). Обратите особое внимание на препятствия и неровности поверхности (например, провода и трубы).

- **ИСПОЛЬЗОВАНИЕ НЕ ПО НАЗНАЧЕНИЮ**
Опасно использовать аппарат для точечной сварки для любых видов работ, отличающихся от предусмотренных (см. «ПРЕДПОЛАГАЕМЫЙ ВИД ИСПОЛЬЗОВАНИЯ»)



ЗАЩИТНЫЕ УСТРОЙСТВА И ОГРАЖДЕНИЯ

Защитные приспособления и подвижные части корпуса аппарата для точечной сварки должны находиться в нужном положении до его подсоединения к сети питания.

ВНИМАНИЕ! При осуществлении любых работ с открытыми подвижными частями аппарата для точечной сварки, например:

- Замена или техобслуживание электродов
- Регулирование положения кронштейнов или электродов
- АППАРАТ ДЛЯ ТОЧЕЧНОЙ СВАРКИ ДОЛЖЕН БЫТЬ ВЫКЛЮЧЕН И ОТСОЕДИНЕН ОТ СЕТИ ПИТАНИЯ И ОТ ПНЕВМАТИЧЕСКОЙ СЕТИ (если она имеется).**

ГЛАВНЫЙ ВЫКЛЮЧАТЕЛЬ ДОЛЖЕН БЫТЬ ЗАБЛОКИРОВАН В ПОЛОЖЕНИИ «О» ПРИ ПОМОЩИ ЗАМКА, КЛЮЧ ИЗ КОТОРОГО НЕОБХОДИМО ИЗВЛЕЧЬ (модели с приводом от пневматического цилиндра).

СКЛАДИРОВАНИЕ

- Расположите сварочный аппарат и принадлежности к нему (в упаковке или без нее) в закрытом помещении.
 - Относительная влажность воздуха не должна превышать 80%.
 - Температура воздуха должна быть в диапазоне от -15°C до 45°C.
- Если аппарат оснащен системой водяного охлаждения и температура воздуха опускается ниже 0°C: добавьте подходящий жидкий антифриз или полностью опорожните гидравлический контур и водяной бак. Всегда используйте надлежащие средства для защиты аппарата от влаги, грязи и коррозии.

2. ВВЕДЕНИЕ И ОБЩЕЕ ОПИСАНИЕ

2.1 ВВЕДЕНИЕ

Переносная точечная контактная сварочная машина для сварки сопротивлением. Серия включает 3 модели:

- **5.8kA:**
Переносная точечная контактная сварочная машина с электронным синхронизатором. Позволяет точное выполнение точек сварки, благодаря электронному контролю времени точечной сварки, а также регулирование силы электродов. Возможно производить точечную сварку на стальном листе с низким содержанием углерода (стандартные кронштейны) до толщины 1+1 мм.
- **6.9kA (230V):**
Переносная точечная контактная сварочная машина с цифровым управлением на микропроцессорах.
Главные характеристики, управляемые с панели управления, это:
 - Выбор толщины металлических листов, на которых выполняется сварка.
 - Корректировка времени точечной сварки.
 - Возможность введения пульсации тока точечной сварки.
 - Регулирование силы точечной сварки.
 - Возможность производить точечную сварку на стальном листе с низким содержанием углерода (стандартные кронштейны) до толщины 2+2 мм.
- **6.9kA (400V):**
Переносная точечная контактная сварочная машина с цифровым управлением на микропроцессорах.
Те же характеристики, что и модели 6.9kA (230V), но работа с напряжением питания 400 В (380В-415В).

2.2 СЕРИЙНЫЕ ПРИНАДЛЕЖНОСТИ

Базовая комплектация точечной контактной сварочной машины включает кронштейны 120 мм и стандартные электроды.

2.3 ПРИНАДЛЕЖНОСТИ ПО ЗАКАЗУ

- Пара кронштейнов с электродами с другой длиной и/или формой для ручного держателя, в наборе, включающем несколько пар.
- Тележка для кронштейнов: позволяет размещать точечную контактную сварочную машину и принадлежности.

3. ТЕХНИЧЕСКИЕ ДАННЫЕ

3.1 ТАБЛИЧКА ДАННЫХ (РИС. А)

Основные данные, относящиеся к использованию и эксплуатационным характеристикам точечной контактной сварочной машины обобщены на таблице данных, со следующими значениями.

- 1- Количество фаз и частота линии питания.
- 2- Напряжение питания.
- 3- Номинальная мощность сети с соотношением прерывистости 50 %.

- 4- Мощность сети при постоянном режиме (100 %).
- 5- Максимальное напряжение на электродах без работы.
- 6- Максимальный ток с электродами при коротком замыкании.
- 7- Максимальное усилие, оказываемое на электроды.
- 8- Вторичный ток при постоянном режиме (100 %).

Примечание: На приведенной для примера таблице указаны приблизительные значения символов и цифр; точные величины технических параметров Вашей точечной контактной сварочной машины должны быть взяты с таблицы самой точечной контактной сварочной машины.

3.2 ПРОЧИЕ ТЕХНИЧЕСКИЕ ДАННЫЕ

Общие характеристики: ТАБ. 1.

Масса точечной контактной сварочной машины: ТАБ. 7.

4. ОПИСАНИЕ ТОЧЕЧНОЙ КОНТАКТНОЙ СВАРОЧНОЙ МАШИНЫ

4.1 ОСНОВНЫЕ КОМПОНЕНТЫ И РЕГУЛИРОВАНИЕ (РИС. В)

- 1- Винт регулирования силы электродов.
- 2- Рукоятка, помещаемая справа/слева.
- 3- Отверстие для монтажа рым-болта.
- 4- Переносной кронштейн для сварки.
- 5- Фиксированный кронштейн для сварки.
- 6- Кабель питания.
- 7- Табличка характеристик.
- 8- Микровыключатель.
- 9- Регулирование времени точечной сварки (только у модели 5.8kA (РИС. В1)); для моделей 6.9kA смотри 4.2: ПАНЕЛЬ УПРАВЛЕНИЯ.
- 10- Рычаг точечной сварки.

4.2 ПАНЕЛЬ УПРАВЛЕНИЯ (только у моделей 6.9kA) (РИС. С)

- 1- **Кнопка для корректировки времени точечной сварки:** регулирует время точечной сварки, по сравнению с условиями по умолчанию, заданными на заводе
- 2- **Кнопка для выбора толщины листа:** выбирает толщину листа, который необходимо приваривать
- 3- **Кнопку выбора режима точечной сварки:**



ток сварки это кнопка.

Выполняя данный выбор улучшается способность точечной сварки металлических листов с высоким пределом текучести или металлических листов со специальными защитными пленками. Период пульсации автоматический; не требуется регулирование.

— : нормальная точечная сварка.

4- СИГНАЛЬНЫЕ ДИОДЫ СИГНАЛИЗАЦИИ СРАБАТЫВАНИЯ ТЕМПЕРАТУРНОЙ ЗАЩИТЫ.

Два сигнальных диода мигают по очереди, оставшиеся сигнальные диоды не горят, сигнализируя блокировку точечной контактной сварочной машины из-за перегрева; восстановление автоматическое после возвращения температуры в предусмотренные пределы.

5. УСТАНОВКА



ВНИМАНИЕ! ВЫПОЛНИТЬ ВСЕ ОПЕРАЦИИ ПО УСТАНОВКЕ И ЭЛЕКТРИЧЕСКОМУ И ПНЕВМАТИЧЕСКОМУ ПОДСОЕДИНЕНИЮ С ОТКЛЮЧЕННОЙ И ОТСОЕДИНЕННОЙ ОТ СЕТИ ПИТАНИЯ ТОЧЕЧНОЙ КОНТАКТНОЙ СВАРОЧНОЙ МАШИНЫ. ЭЛЕКТРИЧЕСКИЕ И ПНЕВМАТИЧЕСКИЕ СОЕДИНЕНИЯ ДОЛЖНЫ ВЫПОЛНЯТЬСЯ ТОЛЬКО ОПЫТНЫМ ИЛИ КВАЛИФИЦИРОВАННЫМ ПЕРСОНАЛОМ.

5.1 ОСНАЩЕНИЕ

Распаковать точечную сварочную машину, выполнить монтаж отдельных частей, находящихся в упаковке.

5.2 СПОСОБ ПОДЪЕМА

ВНИМАНИЕ: Все точечные контактные сварочные машины, описанные в настоящем руководстве, не имеют подъемных устройств; в том случае, если необходимо присоединить рым-болт, для подвешивания точечной сварочной машины, используя отверстие (РИС. F (2)), **обратить внимание на то, чтобы резьбовая ножка не входила более, чем на 8 мм.**

5.3 РАСПОЛОЖЕНИЕ

Под зону установки следует отвести достаточно просторную площадь, не имеющую препятствий, обеспечивающую доступ к панели управления и к рабочей зоне (электроды) в условиях полной безопасности.

Проверить, что отсутствуют препятствия рядом с отверстиями входа или выхода воздуха охлаждения, и проверить, что не могут засасываться проводящая пыль, коррозионный пар, влага и т. д.

Расположите аппарат для точечной сварки на плоской поверхности из однородного и плотного материала, способной выдержать его вес (см. «технические данные»), чтобы избежать опасного смещения или опрокидывания аппарата.

5.4 СОЕДИНЕНИЕ С СЕТЬЮ

5.4.1 Предупреждения

- Перед выполнением любого электрического соединения, проверить, что напряжение и частота сети, имеющиеся в месте установки, соответствуют табличке данных аппарата точечной сварки.
- Аппарат точечной сварки должен быть соединен только с системой питания с нулевым проводником, соединенным с заземлением.
- Для защиты от непрямого контакта необходимо использовать дифференциальные выключатели следующего типа:
 - Тип А (рис. 1) для однофазных машин;
 - Тип В (рис. 2) для трехфазных машин.

- Чтобы обеспечить соответствие требованиям стандарта EN 61000-3-11 (Flicker (пульсация напряжения)), сварочный аппарат рекомендуется подсоединять только к таким точкам сети питания, импеданс которых ниже $Z_{max} = 0.179 \text{ Ом}$.
- Сварочный аппарат точечной сварки не соответствует требованиям стандарта IEC/EN 61000-3-12.

Если аппарат соединяется с общественной сетью электропитания, монтажник или пользователь обязан проверить возможность соединения аппарата точечной сварки (если требуется, проконсультироваться с компанией, управляющей распределительной сетью).

5.4.2 Вилка и розетка

Вилка и розетка

Подсоедините к кабелю питания стандартную вилку (3P+T (полюса + земля): при МЕЖФАЗНОМ 400 В соединении используются только 2 полюса; 2P+T (полюса + земля): ОДНОФАЗНОЕ 230 В соединении) соответствующей мощности и подготовьте розетку сети, защищенную предохранителями или автоматическим термомангнитным выключателем; специальный терминал заземления должен быть соединен с проводником заземления (желто-зеленым) линии питания.

Порядок соединения и количество полюсов используемой вилки, в зависимости от системы распределения и напряжения питания Вашей точечной контактной сварочной машины, должно соответствовать предусмотренному в таблицах (ТАБ. 2; 3; 4; 5).

Мощность вилки, характеристики срабатывания предохранителей и термомангнитного выключателя приведены в таблицах ТАБ. 1 и ТАБ. 7.

Если устанавливается несколько точечных контактных сварочных машин, следует распределить питание циклично между тремя фазами, так, чтобы создать уравновешенную нагрузку; пример:

точечные контактные сварочные машины 230 В:

Точечная контактная сварочная машина 1 : питания L1-N.

Точечная контактная сварочная машина 2 : питания L2-N.

Точечная контактная сварочная машина 3 : питания L3-N.

и т. д.

точечные контактные сварочные машины 400 В:

Точечная контактная сварочная машина 1 : питания L1-L2.

Точечная контактная сварочная машина 2 : питания L2-L3.

Точечная контактная сварочная машина 3 : питания L3-L1.

и т. д.



ВНИМАНИЕ! Несоблюдение приведенных выше правил делает систему безопасной, предоставленную производителем, недействительной (класс I) с вытекающим из этого серьезным риском для людей (например, электрошок) и предметов (например, пожар).

6. СВАРКА (Точечная сварка)

6.1 ПРЕДВАРИТЕЛЬНЫЕ ОПЕРАЦИИ

Перед выполнением любой операции точечной сварки необходимо выполнить ряд проверок и регулировок, проводимых с главным выключателем в положении "О" и с закрытым замком):

- 1- Проверить, что электрическое соединение выполнено правильно, в соответствии с предшествующими инструкциями.
- 2- Выравнивание и сила электродов:
 - тщательно заблокировать нижний электрод в наиболее удобном для выполнения работы положении,
 - ослабить крепежный винт верхнего электрода, чтобы позволить ему пройти в его отверстие на кронштейне,
 - Поместить между электродами утолщающую прокладку, равную толщине свариваемого листа;
 - **РИС. D** закрыть рычаг 2, пока кронштейны не окажутся параллельными и наконечники электродов не совпадут; закрутить винт 3 (d.M6) в комплекте, в отверстие 1, для блокировки рычага в положение, подходящее для выполнения регулировки силы,
 - заблокировать в правильном положении верхний электрод, тщательно затянув винт,
 - отрегулировать силу, оказываемую электродами на этапе точечной сварки **РИС. E**, воздействуя на регулировочный винт (1), используя ключ в комплекте; величина задается в зависимости от положения индекса на градуированной шкале, показано на **РИС. F, ТАБ. 6** приводит величину силы, получаемую при различной длине кронштейнов. Завернуть в направлении часовой стрелки (направо) для увеличения усилия, пропорционально с повышением толщины металлических листов, регулирование следует адаптировать так, чтобы закрытие держателя, и соответствующее срабатывание микровыключателя, происходило при оказании минимального усилия.

6.2 РЕГУЛИРОВАНИЕ ПАРАМЕТРОВ

6.2.1 Модели 6.9kA:

- выбрать толщину свариваемого листа, используя кнопку (2 - **РИС. C**), расположенную на панели управления точечной контактной сварочной машины;
 - выбрать тип точечной сварки (непрерывная или импульсная), используя кнопку (3 - **РИС. C**).
- Возможно произвести корректировку, в сторону увеличения или уменьшения, где это необходимо, времени точечной сварки, заданного по умолчанию, используя кнопку (1 - **РИС. C**).

6.2.2 Модель 5.8kA:

Отрегулировать время точечной сварки, используя потенциометр (9 - **РИС. B1**), расположенный на задней части точечной сварочной машины; использовать наиболее низкие значения, совместимые с правильным исполнением точки (смотри: 6.3 ПОРЯДОК СВАРКИ).

6.3 ПОРЯДОК СВАРКИ

После подключения питания к точечной контактной сварочной машине, для выполнения точечной сварки следует выполнить приведенные инструкции:

- поместить нижний электрод на свариваемый лист;
- перевести рычаг держателя до конца хода, и, следовательно, нажать на микровыключатель (8-**РИС. B**), получив при этом:
 - a) закрытие металлических листов между электродами с заранее отрегулированной силой;
 - b) прохождение тока сварки в течение заданного времени.
- отпустить рычаг держателя спустя несколько мгновений. Это опоздание (поддержание), придает лучшие механические характеристики точке.

Если у Вас нет конкретного опыта работы, следует выполнить несколько пробных точечных сварок, используя лист того же качества и толщины, что и работа, которую необходимо выполнить.

Точка выполнена правильно в том случае, если, подвергнув образец испытаниям на растяжение, происходит выход ядра точки сварки из одного из двух сваренных листов.



ВНИМАНИЕ! Аппарат для точечной сварки оснащен защитным проводом, соединяющим сварочную цепь напрямую с землей. Выполняйте сварку только в том случае, если соединяемые листы электрически изолированы от земли!

В противном случае немедленно прекратите сварочные работы и

попросите опытного или квалифицированного технического специалиста проверить защитный провод.

7. ТЕХНИЧЕСКОЕ ОБСЛУЖИВАНИЕ



ВНИМАНИЕ! ПЕРЕД ВЫПОЛНЕНИЕМ ТЕХОБСЛУЖИВАНИЯ УБЕДИТЕСЬ В ТОМ, ЧТО АППАРАТ ДЛЯ ТОЧЕЧНОЙ СВАРКИ ВЫКЛЮЧЕН И ОТСОЕДИНЕН ОТ ИСТОЧНИКОВ ЭЛЕКТРИЧЕСТВА И СЖАТОГО ВОЗДУХА (если имеется).

В версиях с приводом от пневмоцилиндра необходимо блокировать выключатель в положении «О» при помощи прилагаемого замка.

7.1 ПЛАНОВОЕ ТЕХОБСЛУЖИВАНИЕ

ПЛАНОВОЕ ТЕХОБСЛУЖИВАНИЕ МОЖЕТ ОСУЩЕСТВЛЯТЬ ОПЕРАТОР.

- правка/восстановление диаметра и профиля наконечника электрода;
- проверка выравнивания электродов;
- проверка нагрузки пружины (сила электродов);
- проверка целостности кабеля питания аппарата для точечной сварки и зажима;
- замена электродов и кронштейнов;

7.2 ВНЕПЛАНОВОЕ ТЕХОБСЛУЖИВАНИЕ

ВНЕПЛАНОВОЕ ТЕХОБСЛУЖИВАНИЕ ДОЛЖНО ОСУЩЕСТВЛЯТЬСЯ ТОЛЬКО ОПЫТНЫМ ИЛИ КВАЛИФИЦИРОВАННЫМ В ЭЛЕКТРОМЕХАНИЧЕСКОЙ ОБЛАСТИ ПЕРСОНАЛОМ.



ВНИМАНИЕ! ПЕРЕД СНЯТИЕМ ПАНЕЛЕЙ АППАРАТА ДЛЯ ТОЧЕЧНОЙ СВАРКИ И ПРОВЕДЕНИЕМ РАБОТ В ЕГО ВНУТРЕННЕЙ ЧАСТИ, УБЕДИТЕСЬ, ЧТО АППАРАТ ВЫКЛЮЧЕН И ОТСОЕДИНЕН ОТ СЕТИ ПИТАНИЯ И ОТ ПНЕВМАТИЧЕСКОЙ СЕТИ (если имеется).

Проверка внутренней части аппарата для точечной сварки, находящегося под напряжением, могут привести к серьезному поражению электрическим током вследствие прямого контакта с частями, находящимися под напряжением, и/или ранениям вследствие прикосновения к подвижным частям.

Периодически, с частотой, зависящей от условий эксплуатации и окружающей среды, проверяйте внутреннюю часть аппарата для точечной сварки и удаляйте пыль и металлические частицы, скопившиеся на трансформаторе, тиристорном модуле, диодном модуле, клеммнике питания и др., используя струю сухого сжатого воздуха (макс. 5 бар).

Не направляйте струю сжатого воздуха на электронные платы; для их очистки необходимо использовать очень мягкую щетку или подходящие растворители.

Заодно:

- убедитесь, что изоляция кабелей не повреждена, соединения не ослабли и не окислились.
- смажьте шарнирные соединения и пальцы.
- убедитесь, что винты, которыми вторичная обмотка трансформатора соединена с держателями кронштейнов, хорошо затянуты и что на них отсутствуют следы окисления или перегрева; это же относится к блокирующим винтам кронштейнов и держателей электродов.
- убедитесь, что винты, которыми вторичная обмотка трансформатора соединена с выходными штангами/оплеткой, хорошо затянуты и что на них отсутствуют следы окисления или перегрева.
- убедитесь, что заземляющая цепь аппарата соединена со сварочной цепью (электродами).
- убедитесь, что соединительные винты вторичной обмотки трансформатора (если они имеются) хорошо затянуты и что на них отсутствуют следы окисления или перегрева.
- После выполнения техобслуживания или ремонта подсоедините обратно соединения и кабели так, как они были подсоединены изначально, следя за тем, чтобы они не соприкасались с подвижными частями или частями, температура которых может значительно повыситься. Закрепите все провода стяжками, вернув их в первоначальный вид, следя за тем, чтобы соединения первичной обмотки высокого напряжения были бы должным образом отделены от соединений вторичной обмотки низкого напряжения. При сборке аппарата установите обратно все гайки и винты.

7.3 ПОИСК НЕИСПРАВНОСТЕЙ

В СЛУЧАЕ НЕУДОВЛЕТВОРИТЕЛЬНОЙ РАБОТЫ И ПЕРЕД ПРОВЕДЕНИЕМ БОЛЕЕ СЕРЬЕЗНЫХ ПРОВЕРОК ИЛИ ПРЕЖДЕ ЧЕМ ОБРАТИТЬСЯ В СЕРВИСНЫЙ ЦЕНТР, ПРОВЕРЬТЕ, ЧТО:

- Сварочный рычаг включен и должным образом нажат микровыключатель, позволяя электронной плате осуществлять сварку.
- Тепловая защита не работала.
- Эффективность деталей вторичного контура (держатели кронштейнов – кронштейны – держатели электродов) не снижена из-за ослабленных винтов или окисления.
- Параметры сварки (сила и диаметр электродов, длительность сварки) не соответствуют выполняемой работе.

1. SEGURANÇA GERAL PARA A SOLDADURA POR RESISTÊNCIA	pág. 23
2. INTRODUÇÃO E DESCRIÇÃO GERAL.....	24
2.1 INTRODUÇÃO	24
2.2 ACESSÓRIOS DE SÉRIE	24
2.3 ACESSÓRIOS A PEDIDO	24
3. DADOS TÉCNICOS.....	24
3.1 PLACA DE DADOS (FIG. A)	24
3.2 OUTROS DADOS TÉCNICOS.....	24
4. DESCRIÇÃO DO APARELHO PARA SOLDAR POR PONTOS	24
4.1 COMPONENTES PRINCIPAIS E REGULAÇÕES (FIG. B)	24
4.2 PAINEL DE COMANDOS (somente nos modelos 6.9kA) (FIG. C).....	24
5. MONTAGEM	24
5.1 APRONTAMENTO.....	24
5.2 MODALIDADES DE LEVANTAMENTO	24
5.3 LOCALIZAÇÃO	24
5.4 LIGAÇÃO À REDE	24
5.4.1 Avisos.....	24
5.4.2 Ficha e tomada.....	24
6. SOLDADURA (Soldadura por pontos)	25
6.1 OPERAÇÕES PRELIMINARES.....	25

6.2 REGULAÇÃO DOS PARÂMETROS	pág. 25
6.2.1 Modelos 6.9kA:.....	25
6.2.2 Modelo 5.8kA:	25
6.3 PROCESSO.....	25
7. MANUTENÇÃO.....	25
7.1 MANUTENÇÃO ORDINÁRIA.....	25
7.2 MANUTENÇÃO EXTRAORDINÁRIA.....	25
7.3 LOCALIZAÇÃO DE AVARIAS	25

APARELHOS PARA SOLDADURA POR RESISTÊNCIA PARA USO INDUSTRIAL E PROFISSIONAL.

Nota: No texto a seguir será utilizada a palavra "aparelho de soldar por pontos".

1. SEGURANÇA GERAL PARA A SOLDADURA POR RESISTÊNCIA

O operador deve ter conhecimento suficiente sobre o uso seguro do aparelho de soldar por pontos e informado sobre os riscos ligados aos procedimentos para soldadura por resistência, sobre as relativas medidas de proteção e os procedimentos de emergência.



- Executar a instalação elétrica segundo as normas e leis previstas de proteção contra acidentes.
- O aparelho de soldar por pontos deve ser ligado exclusivamente a um sistema de alimentação com condutor de neutro ligado a terra.
- Verificar que a tomada de alimentação esteja ligada corretamente ao terra de proteção.
- Não utilizar cabos com isolamento deteriorado ou com conexões afrouxadas.
- Utilizar o aparelho de soldar por pontos com uma temperatura ambiente do ar incluída entre 5°C e 40°C e uma humidade relativa igual a 50% até temperaturas de 40°C e de 90% e para temperaturas até 20°C.
- Não utilizar o aparelho de soldar em ambientes húmidos ou molhados ou sob chuva.
- A conexão dos cabos de soldadura e qualquer operação de manutenção ordinária nos braços e/ou eletrodos devem ser realizados com o aparelho de soldar por pontos desligado e desconectado da rede de alimentação elétrica e pneumática (se presente).
O mesmo procedimento deve ser respeitado para a ligação à rede hidrica ou em uma unidade de resfriamento de circuito fechado (aparelhos de soldar por pontos resfriados a água) e no caso de operações de reparação (manutenção extraordinária).



- É proibida a utilização do aparelho em ambientes com áreas classificadas a risco de explosão pela presença de gases, poeiras ou névoas.
- Não soldar em recipientes, vasilhas ou tubagens que contenham ou que tenham contido produtos inflamáveis líquidos ou gasosos.
- Evitar de operar em materiais limpos com solventes clorados ou próximo a tais substâncias.
- Não soldar em recipientes sob pressão.
- Afastar da área de trabalho todas as substâncias inflamáveis (p. ex. madeira, papel, panos, etc.)
- Deixar esfriar a peça acabada de soldar! Não colocar a peça próximo de substâncias inflamáveis.
- Garantir uma circulação de ar adequada ou de meios apropriados para remover os fumos de soldadura próximo dos eletrodos; é necessária uma verificação sistemática para avaliar os limites à exposição dos fumos de soldadura em função da sua composição, concentração e duração da própria exposição.



- Proteger sempre os olhos com os óculos de proteção apropriados.
- Usar luvas e roupas de proteção apropriados para os processamentos com soldadura por resistência.
- Ruído: Se por causa de operações de soldadura muito intensivas for verificado um nível de exposição diária pessoal (LEP,d) igual ou maior de 85db(A), é obrigatório o uso de equipamentos de proteção individual adequados.



- A passagem da corrente de soldadura por pontos causa o aparecimento de campos electromagnéticos (EMF) localizados nas proximidades do circuito de soldadura por pontos.

Os campos electromagnéticos podem interferir com algumas aparelhagens médicas (p. ex. Pacemaker, respiradores, próteses metálicas etc.). Devem ser tomadas medidas de proteção adequadas para com os portadores desses aparelhos. Por exemplo, proibir o acesso à área de utilização do aparelho de soldar por pontos.

Este aparelho de soldar por pontos satisfaz os standards técnicos de produto para o uso exclusivo em ambiente industrial e com finalidade profissional. Não é garantida a correspondência aos limites de base relativos à exposição humana aos campos electromagnéticos em ambiente doméstico.

O operador deve utilizar os procedimentos a seguir, de forma a reduzir a exposição aos campos electromagnéticos:

- Fixar juntos, o mais perto possível, os dois cabos de soldadura por pontos (se presentes).
- Manter a cabeça e o tronco do corpo o mais distante possível do circuito de soldadura por pontos.
- Os cabos de soldadura por pontos (se presentes) nunca devem ser enrolados ao redor do corpo.
- Não soldar por pontos com o corpo no meio do circuito de soldadura por pontos. Manter ambos os cabos no mesmo lado do corpo.
- Ligar o cabo de retorno da corrente de soldadura por pontos (se presente) à peça a soldar por pontos o mais próximo possível à junção em execução.
- Não soldar por pontos perto, sentados ou apoiados no aparelho de soldar por pontos (distância mínima: 50cm).
- Não deixar objetos ferromagnéticos próximo do circuito de soldadura por pontos.
- Distância mínima:
 - d= 3cm, f= 50cm (Fig. G);
 - d= 3cm, f= 50cm (Fig. H);
 - d= 30cm (Fig. I);
 - d= 20cm (Fig. L) Studder.



- Aparelho de classe A:

Este aparelho de soldar por pontos satisfaz os requisitos do standard técnico de produto para o uso exclusivo em ambiente industrial e com finalidade profissional.

Não é garantida a correspondência à compatibilidade eletromagnética nos edifícios residenciais e naqueles ligados diretamente a uma rede de alimentação de baixa tensão que alimenta os edifícios para o uso residencial.

USO PREVISTO

O equipamento deve ser utilizado para a soldadura por pontos de uma ou mais chapas de aço com baixo conteúdo de carbono, de forma e dimensões variáveis conforme o processamento a executar.



RISCOS RESÍDUOS RISCO DE ESMAGAMENTO DOS MEMBROS SUPERIORES! NÃO COLOCAR AS MÃOS PRÓXIMO DE PARTES EM MOVIMENTO!

A modalidade de funcionamento do aparelho de soldar por pontos e a variabilidade de forma e dimensões da peça em processamento impedem a realização de uma proteção incorporada contra o perigo de esmagamento dos membros superiores: dedos, mão, antebraço

- O risco deve ser reduzido adotando as oportunas medidas preventivas:
- O operador deve ser especializado ou instruído sobre o procedimento de soldadura por resistência com esta tipologia de aparelho.
 - Deve ser executada uma avaliação do risco para cada tipologia de trabalho a executar; é necessário preparar equipamentos e trocas em tempo zero capazes de suportar e guiar a peça em processamento de forma a afastar as mãos da área perigosa correspondente aos eletrodos.
 - No caso de utilização de um aparelho de soldar por pontos portátil: segurar firmemente a pinça com as duas mãos colocadas nas pegas específicas; manter sempre as mãos longe dos eletrodos.
 - Nos casos onde a conformação da peça o possibilitar, regular a distância dos eletrodos de forma que não sejam ultrapassados 6 mm de curso.
 - Impedir que mais pessoas trabalhem simultaneamente no mesmo aparelho de soldar por pontos.
 - A área de trabalho deve ser interditada a pessoas estranhas.
 - Não deixar o aparelho de soldar por pontos sem vigilância: neste caso é obrigatório desligá-la da rede de alimentação; nos aparelhos de soldar por pontos por acionamento com cilindro pneumático colocar o interruptor geral em "O" e bloqueá-lo com a trava fornecida, a chave deve ser removida e guardada pelo responsável.
 - Utilizar exclusivamente os eletrodos previstos para a máquina (ver lista de peças sobressalentes) sem alterar a forma dos mesmos.

RISCO DE QUEIMADURAS

Algumas partes do aparelho de soldar por pontos (eletrodos – braços e áreas adjacentes) podem atingir temperaturas superiores a 65°C: é necessário

usar roupas de proteção apropriadas.
Deixar esfriar a peça acabada de soldar antes de tocá-la!

- RISCO DE RECLINAÇÃO E CAÍDA

- Colocar o aparelho de soldar por pontos sobre uma superfície horizontal com capacidade adequada à massa: prender o aparelho de soldar por pontos na superfície de apoio (quando previsto no capítulo "INSTALAÇÃO" deste manual). Caso contrário, sobre pavimentações inclinadas ou desniveladas, superfícies de apoio móveis, existe o perigo de inclinação.
- É proibida a elevação do aparelho de soldar por pontos, salvo o caso expressamente previsto no capítulo "INSTALAÇÃO" deste manual.
- No caso de utilização de máquinas com rodas: desligar o aparelho de soldar por pontos da alimentação elétrica e pneumática (se presente) antes de deslocar a unidade em uma outra área de trabalho. Prestar atenção nos obstáculos e nas asperezas do terreno (por exemplo cabos e tubos).

- USO IMPRÓPRIO

É perigosa a utilização do aparelho de soldar por pontos para qualquer processamento diferente daquele previsto (ver USO PREVISTO).



PROTEÇÕES E ANTEPARAS

As proteções e as partes móveis do invólucro do aparelho de soldar por pontos devem estar na posição, antes de ligá-lo na rede de alimentação.

ATENÇÃO! Qualquer ação manual em partes móveis acessíveis do aparelho de soldar por pontos, por exemplo:

- Troca ou manutenção dos eléctrodos
 - Regulação da posição de braços ou eléctrodos
- DEVE SER EXECUTADA COM O APARELHO DE SOLDAR POR PONTOS DESLIGADO E DESCONECTADO DA REDE DE ALIMENTAÇÃO ELÉTRICA E PNEUMÁTICA (se presente).**
- INTERRUPTOR GERAL BLOQUEADO EM "O" COM TRAVA FECHADA E CHAVE REMOVIDA nos modelos com acionamento por CILINDRO PNEUMÁTICO).**

ARMAZENAMENTO

- Colocar a máquina e seus acessórios (com ou sem embalagem) em locais fechados.
 - A humidade relativa do ar não deve ser superior a 80%.
 - A temperatura ambiente deve estar incluída entre -15°C e 45°C.
- No caso de máquina equipada com unidade de resfriamento a água e temperatura ambiente inferior a 0°C: adicionar o líquido antigel previsto ou esvaziar totalmente o circuito hidráulico e o reservatório da água. Utilizar sempre medidas adequadas para proteger a máquina contra a humidade, a sujeira e a corrosão.

2. INTRODUÇÃO E DESCRIÇÃO GERAL

2.1 INTRODUÇÃO

Aparelho para soldar por pontos portátil para soldadura de resistência.

A série é constituída de 3 modelos:

- 5.8kA:

Aparelho para soldar por pontos portátil com temporizador electrónico. Permite uma execução precisa dos pontos de soldadura graças ao controlo electrónico do tempo de soldadura por pontos e à regulação da força dos eléctrodos. Capacidade de soldadura por pontos sobre chapa de aço com baixa percentagem de carbono (braços padrão) até à espessura 1+1 mm.

- 6.9kA (230V):

Aparelho para soldar por pontos portátil com controlo digital de microprocessador. As características principais que podem ser reguladas pelo painel de controlo são:

- Selecção da espessura das chapas a soldar por pontos.
- Correção do tempo de soldadura por pontos.
- Possibilidade de partida da pulsação da corrente de soldadura por pontos.
- Regulação da força de soldadura por pontos.
- Capacidade de soldadura por pontos sobre chapa de aço com baixa percentagem de carbono (braços padrão) até à espessura 2+2 mm.

- 6.9kA (400V):

Aparelho para soldar por pontos portátil com controlo digital de microprocessador. Mesmas características do modelo 6.9kA (230V), mas que funciona com tensão de alimentação de 400V(380V-415V).

2.2 ACESSÓRIOS DE SÉRIE

Os acessórios de base do aparelho para soldar por pontos incluem braços de 120 mm e eléctrodos padrão.

2.3 ACESSÓRIOS A PEDIDO

- Duplas de braços e eléctrodos com comprimento e/ou forma diferente, também junto com mais duplas.
- Carrinho para braços: permite o apoio do aparelho para soldar por pontos e dos acessórios.

3. DADOS TÉCNICOS

3.1 PLACA DE DADOS (FIG. A)

Os principais dados relativos à utilização e às performances do aparelho para soldar por pontos são recapitulados na placa das características com o seguinte significado.

- 1- Número das fases e frequência da linha de alimentação.
- 2- Tensão de alimentação.
- 3- Potência nominal de rede com relação de intermitência do 50%.
- 4- Potência de rede em regime permanente (100%).
- 5- Tensão máxima a vácuo aos eléctrodos.
- 6- Corrente máxima com eléctrodos em curto-circuito.
- 7- Força máxima que pode ser exercida pelos eléctrodos.
- 8- Corrente no secundário em regime permanente (100%).

Nota: O exemplo de placa presente indica o significado dos símbolos e dos algarismos; os valores correctos dos dados técnicos do aparelho para soldar por pontos que vocês possuem devem ser detectados directamente na própria placa do aparelho para soldar por pontos.

3.2 OUTROS DADOS TÉCNICOS

Características gerais: TAB. 1.

Massa do aparelho para soldar por pontos: TAB. 7.

4. DESCRIÇÃO DO APARELHO PARA SOLDAR POR PONTOS

4.1 COMPONENTES PRINCIPAIS E REGULAGENS (FIG.B)

- 1- Parafuso de regulação da força dos eléctrodos.
- 2- Empunhadura que pode ser posicionada à direita/à esquerda.
- 3- Furo para a montagem do eventual olhal.
- 4- Braço de soldadura móvel.
- 5- Braço de soldadura fixo.

- 6- Cabo de alimentação.
- 7- Placa das características.
- 8- Microswitch.
- 9- Regulação do tempo de soldadura por pontos (somente no modelo 5.8kA (FIG. B1)); para os modelos 6.9kA ver 4.2 : PAINEL DE COMANDOS.
- 10- Alavanca de soldadura por pontos.

4.2 PAINEL DE COMANDOS (somente nos modelos 6.9kA) (FIG. C)

- 1- Tecla para a correção do tempo de soldadura por pontos:
 - regula o tempo de soldadura por pontos respeito à condição default de fábrica.
- 2- Tecla para a selecção da espessura da chapa:
 - selecciona a espessura da chapa que quiserem soldar por pontos.
- 3- Botão de selecção na modalidade de soldadura por pontos:



a corrente de soldadura é pulsante.
Efectuando esta selecção melhora-se a capacidade de soldadura por pontos sobre chapas com alto limite de resistência ou sobre chapas com especiais películas de protecção. O período de pulsação é automático, não necessita de regulação.

— : soldadura por pontos normal.

4- INDICADORES LUMINOSOS de sinalização da intervenção de protecção térmica.

Os dois indicadores luminosos lampejam alternadamente, os indicadores luminosos restantes são desligados, assinalando o bloqueio do aparelho para soldar por pontos por sobretemperatura; a restauração é automática quando a temperatura entrar dentro dos limites previstos.

5. MONTAGEM



CUIDADO! EFECTUAR TODAS AS OPERAÇÕES DE MONTAGEM E CONEXÕES ELÉTRICAS E PNEUMÁTICAS QUANDO O APARELHO PARA SOLDAR POR PONTOS ESTIVER RIGOROSAMENTE DESLIGADO E DESCONEXO DA REDE DE ALIMENTAÇÃO. AS CONEXÕES ELÉTRICAS E PNEUMÁTICAS DEVEM SER EFECTUADAS EXCLUSIVAMENTE POR PESSOAL TREINADO OU QUALIFICADO.

5.1 APRONTAMENTO

Desembalar o aparelho para soldar por pontos, efectuar a montagem das partes separadas contidas na embalagem.

5.2 MODALIDADES DE LEVANTAMENTO

CUIDADO: Todos os aparelhos para soldar por pontos descritos neste manual são desprovidos de dispositivos de levantamento; no caso quiserem aplicar um olhal para suspender o aparelho para soldar por pontos utilizando o furo (FIG. F (2)), prestar atenção para que a haste rosqueada não penetre por mais de 8mm.

5.3 LOCALIZAÇÃO



Reservar na zona de montagem uma área suficientemente ampla e sem obstáculos adequada para garantir a acessibilidade ao painel de comandos e à área de trabalho (eléctrodos) com absoluta segurança.

Assegurar-se que não hajam obstáculos em correspondência das aberturas de entrada ou saída do ar de refrigeração, verificando que não possam ser aspirados pós condutivos, vapores corrosivos, humidade etc.

Posicionar o aparelho de soldar por pontos sobre uma superfície plana de material homogéneo e compacto apropriada para suportar o seu peso (ver "dados técnicos"), para evitar o perigo de inclinação ou deslocamentos perigosos.

5.4 LIGAÇÃO À REDE

5.4.1 Avisos

- Antes de efectuar qualquer ligação eléctrica, verificar que os dados da placa do aparelho de soldar por pontos correspondam à tensão e à frequência de rede disponíveis no lugar da instalação.
- O aparelho de soldar por pontos deve ser ligado exclusivamente a um sistema de alimentação com condutor de neutro ligado a terra.
- Para garantir a protecção contra o contacto indirecto usar interruptores diferenciais do tipo:
 - Tipo A () para máquinas monofásicas;
 - Tipo B () para máquinas trifásicas.

- A fim de satisfazer os requisitos da Norma EN 61000-3-11 (Flicker) recomenda-se a ligação do aparelho de soldar por pontos de interligação da rede de alimentação que apresentam uma impedância menor de $Z_{max} = 0.179 \text{ ohm}$.

- O aparelho de soldar por pontos não contém os requisitos da norma IEC/EN 61000-3-12.

Se o mesmo for ligado a uma rede de alimentação pública, o instalador ou o utilizador são responsáveis para controlar que o aparelho de soldar por pontos possa ser conectado (se necessário, consultar o gestor da rede de distribuição).

5.4.2 Ficha e tomada

Ligar no cabo de alimentação uma ficha normalizada (3P+T : são utilizados somente 2 polos para a ligação 400V INTERFÁSICO; 2P+T: ligação 230V MONOFÁSICA) com capacidade adequada e predispor uma tomada de rede protegida por fusíveis ou por interruptor automático magneto-térmico; o terminal de terra apropriado deve ser ligado ao condutor de terra (amarelo-verde) da linha de alimentação.

A modalidade de conexão e o número dos pólos da ficha a utilizar, em função do sistema de distribuição e da tensão de alimentação do vosso aparelho para soldar por pontos, devem corresponder a quanto previsto nas tabelas (TAB. 2; 3; 4; 5).

A capacidade da ficha e a característica de intervenção dos fusíveis e do interruptor magnetotérmico são indicadas nas tabelas TAB. 1 e TAB. 7.

No caso forem montados mais aparelhos para soldar por pontos, distribuir a alimentação ciclicamente entre as três fases de maneira a realizar uma carga mais equilibrada; por exemplo:

Aparelhos para soldar por pontos 230V:

- Aparelho para soldar por pontos 1 : alimentação L1-N.
- Aparelho para soldar por pontos 2 : alimentação L2-N.
- Aparelho para soldar por pontos 3 : alimentação L3-N.
- etc.

Aparelhos para soldar por pontos 400V:

- Aparelho para soldar por pontos 1 : alimentação L1-L2.
- Aparelho para soldar por pontos 2 : alimentação L2-L3.
- Aparelho para soldar por pontos 3 : alimentação L3-L1.
- etc.



CUIDADO! O não cumprimento das regras acima citadas torna ineficaz o sistema de segurança previsto pelo construtor (classe I) com consequentes graves riscos para as pessoas (ex. choque eléctrico) e para as coisas (ex. incêndio).

6. SOLDADURA (Soldadura por pontos)

6.1 OPERAÇÕES PRELIMINARES

Antes de efectuar qualquer operação de soldadura por pontos, é necessário efectuar uma série de verificações e controlos quando o aparelho para soldar por pontos estiver desconexo da rede:

- 1- Controlar que a conexão eléctrica seja efectuada correctamente segundo as instruções anteriores.
 - 2- Alinhamento e força dos eléctrodos:
 - bloquear cuidadosamente o eléctrodo inferior na posição mais adequada ao trabalho em execução;
 - desapertar o parafuso de bloqueio do eléctrodo superior para permitir o escorregamento do mesmo no seu próprio furo do braço;
 - interpor entre os eléctrodos uma espessura equivalente àquela das chapas a soldar por pontos;
 - **FIG. D** fechar a alavanca 2 até que os braços resultem paralelos e as pontas dos eléctrodos coincidentes; apertar o parafuso 3 (d.M6), entregue, no furo 1, para bloquear a alavanca em posição adequada para efectuar a regulação da força;
 - bloquear nas posição correcta o eléctrodo superior apertando cuidadosamente o parafuso do mesmo;
 - regular a força exercida pelos eléctrodos em fase de soldadura por pontos FIG.E, agindo no parafuso de regulação (1) utilizando a chave entregue; o valor configurado, em função da posição do índice na escala graduada, é indicado na FIG. F.
- A TAB. 6 indica o valor da força que pode ser obtido com diferentes comprimentos de braços.
- Apertar no sentido horário (dextrorso) para aumentar a força de maneira proporcional ao aumento da espessura das chapas, adaptando em todo o caso a regulação de maneira tal que o fechamento da pinça e relativo accionamento do microswitch se realize exercendo um esforço limitado.

6.2 REGULAÇÃO DOS PARÂMETROS

6.2.1 Modelos 6.9kA:

- Seleccionar a espessura da chapa a soldar por pontos utilizando a tecla (2 - FIG. C) posta no painel de comando do aparelho para soldar por pontos;
 - Seleccionar o tipo de soldadura por pontos (contínua ou pulsada) utilizando a tecla (3 - FIG. C).
- É possível corrigir a mais ou a menos, onde for necessário, o tempo de soldadura por pontos de default utilizando a tecla (1 - FIG. C).

6.2.2 Modelo 5.8kA:

Regular o tempo de soldadura por pontos utilizando o potenciómetro (9 - FIG.B1) posto atrás do aparelho para soldar por pontos; utilizar valores mais baixos possíveis compativelmente com a correcta execução do ponto (veja-se : 6.3 PROCESSO).

6.3 PROCESSO

Depois de ter alimentado o aparelho para soldar por pontos, para a execução da soldadura por pontos seguir as seguintes instruções:

- apoiar o eléctrodo inferior na chapa a soldar por pontos;
- accionar a alavanca da pinça no final de curso e depois até premer o microswitch (8-FIG.B) obtendo:
 - a) fechamento das chapas entre os eléctrodos com a força pré-regulada;
 - b) passagem da corrente de soldadura pelo tempo prefixado.
- libertar a alavanca da pinça depois de alguns instantes. Este atraso (manutenção), confere melhores características mecânicas ao ponto.

Em falta de experiência específica é oportuno efectuar alguns ensaios de soldadura por pontos utilizando espessuras de chapa da mesma qualidade e espessura do trabalho a efectuar.

Considera-se correcta a execução do ponto quando, submetendo uma amostra à prova de tracção, provoca-se a extracção da alma do ponto de soldadura da uma das duas chapas.



ATENÇÃO! O aparelho de soldar por pontos é equipado com um condutor de protecção que liga o circuito de soldadura directamente a terra. Efetue a soldadura somente se as chapas a juntar estão isoladas de terra! Caso contrário, interrompa logo o trabalho de soldadura e mande verificar o condutor de protecção da instalação e do aparelho de soldar por pontos por uma pessoa qualificada no âmbito técnico.

7. MANUTENÇÃO



ATENÇÃO! ANTES DE EFETUAR AS OPERAÇÕES DE MANUTENÇÃO, VERIFIQUE QUE O APARELHO DE SOLDA POR PONTOS ESTEJA DESLIGADO DA REDE DE ALIMENTAÇÃO ELÉCTRICA E PNEUMÁTICA (se presente). Nas versões por accionamento com cilindro pneumático é necessário bloquear o interruptor na posição "O" com a trava fornecida.

7.1 MANUTENÇÃO ORDINÁRIA

AS OPERAÇÕES DE MANUTENÇÃO ORDINÁRIA PODEM SER EXECUTADAS PELO OPERADOR.

- adaptação/restauração do diâmetro e do perfil da ponta do eléctrodo.
- controlo do alinhamento dos eléctrodos;
- controlo da carga da mola (força eléctrodos);
- verificação da integridade do cabo de alimentação do aparelho de soldar por pontos e da pinça.
- substituição dos eléctrodos e dos braços;

7.2 MANUTENÇÃO EXTRAORDINÁRIA

AS OPERAÇÕES DE MANUTENÇÃO EXTRAORDINÁRIA DEVEM SER EXECUTADAS EXCLUSIVAMENTE POR PESSOAL EXPERIENTE OU QUALIFICADO NO ÂMBITO ELÉCTRICO E MECÂNICO.



ATENÇÃO! ANTES DE REMOVER OS PAINÉIS DO APARELHO DE SOLDAR POR PONTOS E ACEDER À SUA PARTE INTERNA, VERIFIQUE QUE O

APARELHO DE SOLDAR POR PONTOS ESTEJA DESLIGADO E DESCONECTADO DA REDE DE ALIMENTAÇÃO ELÉCTRICA E PNEUMÁTICA (se presente).

Eventuais controlos executados sob tensão dentro do aparelho de soldar por pontos podem causar choque eléctrico grave originado por contato direto com partes sob tensão e/ou lesões devidas ao contato direto com órgãos em movimento.

Periodicamente e, de qualquer maneira, com frequência em função da utilização e das condições ambientais, inspecione a parte interna do aparelho de soldar por pontos e remova a poeira e as partículas metálicas que se depositaram no transformador, módulo tiristores, módulo díodos, régua de bornes de alimentação etc, com um jacto de ar comprimido seco (max 5bar).

Deve ser evitado dirigir o jato de ar comprimido nas placas electrónicas; providencie a sua eventual limpeza com uma escova muito macia ou solventes apropriados.

Na oportunidade:

- verifique que as fiações não apresentem danos no isolamento ou conexões frouxas - oxidadas.
 - lubrifique as articulações e os pinos.
 - verifique que os parafusos de ligação do secundário do transformador às fusões porta-braços estejam bem apertados e não haja sinais de oxidação ou sobreaquecimento; o mesmo vale para os parafusos de bloqueio dos braços e porta-eléctrodos.
 - verifique que os parafusos de ligação do secundário do transformador às barras / tranças de saída estejam bem apertados e não haja sinais de oxidação ou sobreaquecimento.
 - verifique a continuidade do circuito de terra da máquina com o circuito de soldadura (eléctrodos).
 - verifique que os parafusos de ligação do secundário do transformador (se presentes) estejam bem apertados e não haja sinais de oxidação ou sobreaquecimento.
 - Depois de ter efetuado a manutenção ou a reparação restaure as conexões e as fiações como eram inicialmente tomando o cuidado para que estas não entrem em contato com partes em movimento ou partes que possam atingir temperaturas elevadas. Coloque abraçadeiras em todos os condutores como eram inicialmente tomando o cuidado de manter bem separadas entre si as ligações do primário em alta tensão daqueles secundários em baixa tensão.
- Utilize todas as anilhas e os parafusos originais para o fecho da carpintaria.

7.3 LOCALIZAÇÃO DE AVARIAS

NO CASO DE FUNCIONAMENTO INSATISFATÓRIO, E ANTES DE EXECUTAR CONTROLOS MAIS SISTEMÁTICOS OU CONTATAR O PRÓPRIO CENTRO DE ASSISTÊNCIA, VERIFIQUE QUE:

- Com a alavanca soldadura acionada seja efetivamente carregado o micro-interruptor dando o consenso à placa electrónica para a soldadura.
- Não tenham interferido as proteções térmicas.
- Os elementos que fazem parte do circuito secundário (fusões porta-braços - braços - porta-eléctrodos) não sejam ineficientes por causa de parafusos afrouxados ou oxidados.
- Os parâmetros de soldadura (força e diâmetro eléctrodos, tempo de soldadura) não sejam inadequados ao trabalho que está sendo realizado.

	σελ.		σελ.
1. ΓΕΝΙΚΗ ΑΣΦΑΛΕΙΑ ΓΙΑ ΤΗ ΣΥΓΚΟΛΛΗΣΗ ΜΕ ΑΝΤΙΣΤΑΣΗ	26	6. ΣΥΓΚΟΛΛΗΣΗ (Στίξη)	28
2. ΕΙΣΑΓΩΓΗ ΚΑΙ ΓΕΝΙΚΗ ΠΕΡΙΓΡΑΦΗ	27	6.1 ΠΡΟΚΑΤΑΡΚΤΙΚΕΣ ΕΝΕΡΓΕΙΕΣ	28
2.1 ΕΙΣΑΓΩΓΗ	27	6.2 ΡΥΘΜΙΣΗ ΤΩΝ ΠΑΡΑΜΕΤΡΩΝ	28
2.2 ΣΤΑΝΤΑΡ ΕΞΑΡΤΗΜΑΤΑ	27	6.2.1 Μοντέλα 6.9kA:	28
2.3 ΕΞΑΡΤΗΜΑΤΑ ΚΑΤΑ ΖΗΤΗΣΗ	27	6.2.2 Μοντέλο 5.8kA:	28
3. ΤΕΧΝΙΚΑ ΣΤΟΙΧΕΙΑ	27	6.3 ΔΙΑΔΙΚΑΣΙΑ	28
3.1 ΠΙΝΑΚΙΔΑ ΣΤΟΙΧΕΙΩΝ (ΕΙΚ. Α)	27	7. ΣΥΝΤΗΡΗΣΗ	28
3.2 ΆΛΛΑ ΤΕΧΝΙΚΑ ΣΤΟΙΧΕΙΑ	27	7.1 ΤΑΚΤΙΚΗ ΣΥΝΤΗΡΗΣΗ	28
4. ΠΕΡΙΓΡΑΦΗ ΤΗΣ ΜΗΧΑΝΗΣ ΣΤΙΞΗΣ	27	7.2 ΕΚΤΑΚΤΗ ΣΥΝΤΗΡΗΣΗ	28
4.1 ΒΑΣΙΚΑ ΤΜΗΜΑΤΑ ΚΑΙ ΡΥΘΜΙΣΕΙΣ (ΕΙΚ.Β)	27	7.3 ΑΝΑΖΗΤΗΣΗ ΒΛΑΒΩΝ	28
4.2 ΠΙΝΑΚΑΣ ΧΕΙΡΙΣΜΩΝ (μόνο στα μοντέλα 6.9kA) (ΕΙΚ. C)	27		
5. ΕΓΚΑΤΑΣΤΑΣΗ	27		
5.1 ΣΥΝΑΡΜΟΛΟΓΗΣΗ	27		
5.2 ΤΡΟΠΟΣ ΑΝΥΨΩΣΗΣ	27		
5.3 ΤΟΠΟΘΕΤΗΣΗ	27		
5.4 ΣΥΝΔΕΣΗ ΣΤΟ ΔΙΚΤΥΟ	27		
5.4.1 Προειδοποιήσεις	27		
5.4.2 Βύσμα και πρίζα	27		

ΣΥΣΚΕΥΕΣ ΓΙΑ ΣΥΓΚΟΛΛΗΣΗ ΜΕ ΑΝΤΙΣΤΑΣΗ ΓΙΑ ΒΙΟΜΗΧΑΝΙΚΗ ΚΑΙ ΕΠΑΓΓΕΛΜΑΤΙΚΗ ΧΡΗΣΗ.

Σημείωση: Στο κείμενο που ακολουθεί θα χρησιμοποιείται ο όρος “πόντα”.

1. ΓΕΝΙΚΗ ΑΣΦΑΛΕΙΑ ΓΙΑ ΤΗ ΣΥΓΚΟΛΛΗΣΗ ΜΕ ΑΝΤΙΣΤΑΣΗ

Ο χειριστής πρέπει να είναι επαρκώς καταρτισμένος ως προς την ασφαλή χρήση της πόντας και ενημερωμένος όσον αφορά τους κινδύνους που σχετίζονται με τις διαδικασίες συγκόλλησης με αντίσταση, τα σχετικά μέτρα προστασίας και τις διαδικασίες άμεσης επέμβασης.



- Εκτελέστε την ηλεκτρική εγκατάσταση σύμφωνα με τους προβλεπόμενους κανονισμούς και τη νομοθεσία πρόληψης ατυχημάτων.
- Η πόντα πρέπει να συνδέεται αποκλειστικά σε σύστημα τροφοδοσίας με γειωμένο αγωγό ουδέτερου.
- Βεβαιωθείτε ότι η πρίζα τροφοδοσίας είναι σωστά συνδεδεμένη στη γείωση προστασίας.
- Μην χρησιμοποιείτε καλώδια με αλλοιωμένη μόνωση ή χαλαρωμένες συνδέσεις.
- Χρησιμοποιείτε την πόντα σε θερμοκρασία περιβάλλοντος αέρα μεταξύ 5°C και 40°C και σχετική υγρασία 50% μέχρι θερμοκρασίες 40°C και σχετική υγρασία 90% για θερμοκρασίες μέχρι 20°C.
- Μην χρησιμοποιείτε την πόντα σε υγρά περιβάλλοντα ή βρεγμένα ή κάτω από βροχή.
- Η σύνδεση των καλωδίων συγκόλλησης και οποιαδήποτε ενέργεια τακτικής συντήρησης σε βραχίονες και/ή ηλεκτρόδια πρέπει να εκτελούνται με την πόντα σβηστή και αποσυνδεδεμένη από το δίκτυο τροφοδοσίας ηλεκτρισμού και αέρα (αν υπάρχει).
- Η ίδια διαδικασία πρέπει να τηρείται και για τη σύνδεση στο υδρικό δίκτυο σε μια μονάδα ψύξης κλειστού κυκλώματος (πόντες με ψύξη νερού) και σε κάθε περίπτωση ενέργειας επισκευής (έκτακτη συντήρηση).



- Απαγορεύεται η χρήση της συσκευής σε περιβάλλοντα που ανήκουν σε κατηγορίες περιοχής που χαρακτηρίζονται επικίνδυνες από άποψη κινδύνου έκρηξης λόγω παρουσίας αερίων, σκόνης ή ομίχλης.
- Μην συγκολλείτε σε δοχεία ή σωληνώσεις που περιέχουν ή περιείχαν εύφλεκτα υγρά ή αέρια υλικά.
- Αποφεύγετε να εργάζεστε σε υλικά που καθαρίστηκαν με χλωριούχους διαλύτες ή κοντά σε αυτές τις ουσίες.
- Μην συγκολλείτε σε δοχεία υπό πίεση.
- Απομακρύνετε από την περιοχή εργασίας όλες τις εύφλεκες ουσίες (πχ. ξύλο, χαρτί, πανιά κλπ).
- Αφήστε να κρυώσει το μέταλλο που μόλις κατεργάστηκε! Μην τοποθετείτε το κομμάτι κοντά σε εύφλεκες ουσίες.
- Εξασφαλίστε έναν κατάλληλο αερισμό ή κατάλληλα μέσα για την αφαίρεση των καπνών συγκόλλησης κοντά στα ηλεκτρόδια. Είναι αναγκαία μια συστηματική προσέγγιση για τον προσδιορισμό των ορίων έκθεσης στους καπνούς συγκόλλησης ανάλογα με τη σύνθεση, την περιεκτικότητα και τη διάρκεια της έκθεσης.



- Προστατεύετε πάντα τα μάτια με τα ειδικά γυαλιά προστασίας.
- Φοράτε γάντια και ενδύματα προστασίας κατάλληλα για τις κατεργασίες συγκόλλησης με αντίσταση.
- Θορυβότητα: Αν εξαιτίας ενεργειών συγκόλλησης ιδιαίτερα έντονες επαληθεύεται ένα επίπεδο ημερήσιας ατομικής έκθεσης (LEP,d) ίσο ή ανώτερο των 85dB(A), είναι υποχρεωτική η χρήση κατάλληλων μέσων ατομικής προστασίας.



- Το πέρασμα του ρεύματος πονταρίσματος δημιουργεί ηλεκτρομαγνητικά πεδία (EMF) στην περιοχή γύρω από το κύκλωμα πονταρίσματος. Τα ηλεκτρομαγνητικά πεδία μπορούν να παρέμβουν με ορισμένες ιατρικές συσκευές (πχ. βηματοδότης, αναπνευστήρες, μεταλλικές προθέσεις κλπ.). Πρέπει να υιοθετούνται κατάλληλα προστατευτικά μέτρα σε σχέση με άτομα που φέρουν συσκευές αυτού του είδους. Για παράδειγμα να απαγορεύεται η είσοδος στην περιοχή όπου χρησιμοποιείται η πόντα.
- Αυτή η πόντα ικανοποιεί τα τεχνικά στάνταρντ προϊόντος για αποκλειστική χρήση σε βιομηχανικό περιβάλλον για επαγγελματικό σκοπό. Δεν εγγυάται η ανταπόκριση στα βασικά όρια που αφορούν την έκθεση του ανθρώπου στα

ηλεκτρομαγνητικά πεδία σε οικιακό περιβάλλον.

Ο χειριστής πρέπει να τηρεί τις ακόλουθες διαδικασίες ώστε να περιορίζει την έκθεση στα ηλεκτρομαγνητικά πεδία:

- Στερεώστε μαζί όσο το δυνατόν πιο κοντά τα δυο καλώδια πονταρίσματος (αν υπάρχουν).
- Διατηρήστε το κεφάλι και τον κορμό του σώματος όσο το δυνατόν πιο μακριά από το κύκλωμα πονταρίσματος.
- Μην τυλίγετε ποτέ τα καλώδια πονταρίσματος (αν υπάρχουν) γύρω από το σώμα.
- Μην ποντάρτε με το σώμα ανάμεσα στο κύκλωμα πονταρίσματος. Κρατήστε αμφοτέρα τα καλώδια στην ίδια πλευρά του σώματος.
- Συνδέστε το καλώδιο επιστροφής του ρεύματος πονταρίσματος (αν υπάρχει) στο μέταλλο προς πονταρίσμα όσο το δυνατόν πιο κοντά στη σύνδεση υπό εκτέλεση.
- Μην ποντάρτε κοντά, καθιστοί ή ακουμπισμένοι στην πόντα (ελάχιστη απόσταση: 50cm).
- Μην αφήνετε σιδηρομαγνητικά αντικείμενα κοντά στο κύκλωμα πονταρίσματος.
- Ελάχιστη απόσταση:
 - d = 3cm, f = 50cm (ΕΙΚ. G);
 - d = 3cm, f = 50cm (ΕΙΚ. H);
 - d = 30cm (ΕΙΚ. I);
 - d = 20cm (ΕΙΚ. L) Studder.



- Συσκευή κατηγορίας A:

Αυτή η πόντα ανταποκρίνεται στις απαιτήσεις του τεχνικού στάνταρντ προϊόντος για αποκλειστική χρήση σε βιομηχανικό περιβάλλον για επαγγελματική χρήση. Δεν εγγυάται η ανταπόκριση στην ηλεκτρομαγνητική συμβατότητα σε οικιακούς χώρους και σε κτίρια που συνδέονται άμεσα σε δίκτυο τροφοδοσίας χαμηλής τάσης που τροφοδοτεί κτίρια που προορίζονται σε κατοικίες.

ΠΡΟΒΛΕΠΟΜΕΝΗ ΧΡΗΣΗ

Η εγκατάσταση πρέπει να χρησιμοποιείται για το πονταρίσμα ενός ή περισσότερων ελασμάτων από χάλυβα χαμηλής περιεκτικότητας άνθρακα, διαφόρων διαστάσεων και σχήματος ανάλογα με την κατεργασία προς εκτέλεση.



ΥΠΟΛΟΙΠΟΙ ΚΙΝΔΥΝΟΙ

ΚΙΝΔΥΝΟΣ ΣΥΝΘΛΙΨΗΣ ΑΝΩ ΑΚΡΩΝ

ΜΗΝ ΤΟΠΟΘΕΤΕΙΤΕ ΤΑ ΧΕΡΙΑ ΚΟΝΤΑ ΣΕ ΜΕΡΗ ΠΟΥ ΚΙΝΟΥΝΤΑΙ!

Ο τρόπος λειτουργίας της πόντας και η μεταβλητότητα σχήματος και διαστάσεων του κομματιού σε κατεργασία εμποδίζουν την υλοποίηση μιας ολοκληρωμένης προστασίας κατά του κινδύνου σύνθλιψης των άνω άκρων: δάκτυλα, χέρι, βραχίονας.

Ο κίνδυνος πρέπει να μειώνεται υιοθετώντας τα κατάλληλα προληπτικά μέτρα:

- Ο χειριστής πρέπει να είναι έμπειρος και εκπαιδευμένος σε σχέση με τη διαδικασία συγκόλλησης με αντίσταση με αυτήν την τυπολογία συσκευών.
- Πρέπει να εκτελείται η αξιολόγηση του κινδύνου σε σχέση με κάθε τυπολογία εργασίας προς εκτέλεση. Είναι αναγκαία να προβλέψετε τις κατάλληλες εγκαταστάσεις και προστατευτικές επικαλύψεις ώστε να στηρίζετε και να οδηγείτε το κομμάτι σε κατεργασία για να απομακρύνετε τα χέρια από την επικίνδυνη περιοχή των ηλεκτροδίων.
- Σε περίπτωση χρήσης μια φορητής πόντας: πιάστε σταθερά τη λαβίδα κρατώντας τα δυο χέρια στις ειδικές λαβές, διατηρείτε πάντα τα χέρια μακριά από τα ηλεκτρόδια.
- Σε όλες τις περιπτώσεις όπου η διαμόρφωση του τεμαχίου το επιτρέπει, ρυθμίστε την απόσταση των ηλεκτροδίων ώστε να μην ξεπερνούν τα 6 mm διαδρομής.
- Εμπνέετε σε περισσότερα άτομα να εργάζονται ταυτόχρονα με την ίδια πόντα.
- Η περιοχή εργασίας πρέπει να απαγορεύεται σε ξένα άτομα.
- Μην αφήνετε αφύλακτα την πόντα: σε αυτήν την περίπτωση είναι υποχρεωτικό να την αποσυνδέετε από το δίκτυο τροφοδοσίας. Στις πόντες που ενεργοποιούνται με κύλινδρο αέρα φέρετε το γενικό διακόπτη σε “Ο” και ακινητοποιήστε τον με το προμηθευμένο λουκέτο Το κλειδί πρέπει να αφαιρείται και να φυλάγεται από τον υπεύθυνο.
- Χρησιμοποιείτε αποκλειστικά τα ηλεκτρόδια που προβλέπονται για τη μηχανή (βλέπετε κατάλογο ανταλλακτικών) χωρίς να αλλοιώσετε το σχήμα τους.
- ΚΙΝΔΥΝΟΣ ΕΓΚΑΥΜΑΤΩΝ
Ορισμένα μέρη της πόντας (ηλεκτρόδια – βραχίονες και παρακείμενα περιοχές) μπορούν να φτάσουν σε θερμοκρασίες πάνω από 65°C: είναι αναγκαίο να φοράτε κατάλληλα προστατευτικά ενδύματα.
Αφήστε το μέταλλο που μόλις συγκολλήθηκε να κρυώσει πριν το αγγίξετε!

6. ΣΥΓΚΟΛΛΗΣΗ (ΣΤΙΞΗ)

6.1 ΠΡΟΚΑΤΑΡΚΤΙΚΕΣ ΕΝΕΡΓΕΙΕΣ

Πριν εκτελέσετε οποιαδήποτε ενέργεια στίξης, είναι απαραίτητες μια σειρά από επαληθεύσεις και ελέγχους που πρέπει να εκτελεστούν με τη μηχανή στίξης αποσυνδεδεμένη από το δίκτυο:

- 1- Ελέγξτε ότι η ηλεκτρική σύνδεση είναι σωστά εκτελεσμένη σύμφωνα με τις οδηγίες που προηγούνται.
 - 2- Ευθυγράμμιση και δύναμη των ηλεκτροδίων:
 - ακινητοποιήστε προσεκτικά το κάτω ηλεκτρόδιο στην θέση που είναι πιο κατάλληλη για το έργο προς εκτέλεση,
 - λασκάρτε τις βίδες στερέωσης του πάνω ηλεκτροδίου για να επιτρέψετε το κύλισμα στην οπή του στο βραχίονα,
 - τοποθετήστε ανάμεσα στα ηλεκτρόδια ένα πάχος ισοδύναμο με το πάχος των λαμαρίνων προς στίξη,
 - **FIG. D** κλείστε το μοχλό 2 μέχρι που οι βραχιόνες προκύψουν παράλληλοι και οι αιχμές των ηλεκτροδίων συμπίπτουν. Βιδώστε την προμηθευόμενη βίδα 3 (d.M6), στην οπή 1 για να ακινητοποιήσετε το μοχλό σε θέση κατάλληλη για την εκτέλεση της ρύθμισης δύναμης,
 - ακινητοποιήστε στη σωστή θέση το επάνω ηλεκτρόδιο σφαιρίζοντας με προσοχή τη σχετική βίδα,
 - ρυθμίστε τη ασκούμενη από τα ηλεκτρόδια δύναμη σε φάση στίξης ΕΙΚ.Ε, ενεργώντας στη βίδα ρύθμισης (1) χρησιμοποιώντας το προμηθευόμενο κλειδί. Η προσδιορισμένη τιμή, σε συνάρτηση της θέσης του δείκτη στην αριθμημένη κλίμακα, αναγράφεται στην ΕΙΚ. F ενώ ο ΠΙΝ. 6 αναφέρει την τιμή της δύναμης που επιτυγχάνεται με διαφορετικά μήκη βραχιόνων.
- Βιδώστε δεξιόστροφα για να αυξήσετε τη δύναμη ανάλογη προς το πάχος των λαμαρίνων, προσαρμόζοντας ωστόσο τη ρύθμιση ώστε το κλείσιμο της λαβίδας και σχετική ενεργοποίηση του microswitch να πραγματοποιούνται ασκώντας μια περιορισμένη δύναμη.

6.2 ΡΥΘΜΙΣΗ ΤΩΝ ΠΑΡΑΜΕΤΡΩΝ

6.2.1 Μοντέλα 6.9kA:

- επιλέξτε το πάχος της λαμαρίνας προς στίξη χρησιμοποιώντας το πλήκτρο (2 - ΕΙΚ. C) στον πίνακα ελέγχου της μηχανής στίξης,
 - επιλέξτε τον τύπο στίξης (συνεχής ή παλμώδης) χρησιμοποιώντας το πλήκτρο (3 - ΕΙΚ. C).
- Είναι δυνατόν να διορθώσετε, προσθέτοντας ή αφαιρώντας, όπου αυτό είναι απαραίτητο, το χρόνο στίξης default χρησιμοποιώντας το πλήκτρο (1 - ΕΙΚ. C).

6.2.2 Μοντέλο 5.8kA:

Ρυθμίστε το χρόνο στίξης χρησιμοποιώντας το ποτενσιόμετρο (9 - ΕΙΚ.Β1) στο πίσω μέρος της μηχανής, χρησιμοποιείτε όσο το δυνατόν χαμηλότερες τιμές λογαριάζοντας πάντα και τη σωστή εκτέλεση του σημείου ραφής (βλέπε : 6.3 ΔΙΑΔΙΚΑΣΙΑ).

6.3 ΔΙΑΔΙΚΑΣΙΑ

Αφού τροφοδοτήσετε τη μηχανή, για την εκτέλεση της στίξης ακολουθήστε τις ακόλουθες οδηγίες:

- ακουμπήστε το κάτω ηλεκτρόδιο στη λαμαρίνα προς στίξη.
- ενεργοποιήστε το μοχλό της λαβίδας στο τέλος διαδρομής και μέχρι να πιέσετε το microswitch (8-ΕΙΚ.Β), επιτυγχάνοντας:
 - α) Κλείσιμο των λαμαρίνων ανάμεσα στα ηλεκτρόδια με την προκαθορισμένη δύναμη.
 - β) Πέρασμα ρεύματος συγκόλλησης για τον προκαθορισμένο χρόνο.
- μετά από λίγο αφήστε πάλι το μοχλό της λαβίδας. Αυτή η καθυστέρηση (διατήρηση), προσδίδει ακλύτερα μηχανικά χαρακτηριστικά στο σημείο ραφής.

Σε περίπτωση που δεν κατέχεται ειδική πείρα, είναι αναγκαίο να εκτελεστούν μερικές δοκιμές στίξης με πάχη λαμαρίνας ίδιας ποιότητας και πάχους της εργασίας προς εκτέλεση.

Θεωρείται σωστή η εκτέλεση του σημείου ραφής όταν, υποβάλλοντας ένα δείγμα σε δοκιμή έλξης, προκαλείται η εξαγωγή του πυρήνα του συγκολλημένου σημείου από μια εκ των δυο λαμαρίνων.



ΠΡΟΣΟΧΗ! Η πόντα είναι εφοδιασμένη με αγωγό προστασίας που συνδέει το κύκλωμα συγκόλλησης κατευθείαν στη γη.

Εκτελέστε τη συγκόλληση μόνο αν οι λαμαρίνες που πρέπει να ενωθούν είναι μονωμένες από τη γη!

Σε αντίθετη περίπτωση διακόψτε αμέσως την εργασία συγκόλλησης και ζητήστε τον έλεγχο του αγωγού προστασίας της εγκατάστασης και της πόντας από άτομο ειδικευμένο ή πεπειραμένο στον τεχνικό τομέα.

7. ΣΥΝΤΗΡΗΣΗ



ΠΡΟΣΟΧΗ! ΠΡΙΝ ΕΚΕΤΕΛΕΣΕΤΕ ΤΙΣ ΕΝΕΡΓΕΙΕΣ ΣΥΝΤΗΡΗΣΗΣ, ΒΕΒΑΙΩΘΕΙΤΕ ΟΤΙ Η ΠΟΝΤΑ ΕΙΝΑΙ ΣΒΗΣΤΗ ΚΑΙ ΑΠΟΣΥΝΔΕΔΕΜΜΗ ΑΠΟ ΤΟ ΔΙΚΤΥΟ ΤΡΟΦΟΔΟΣΙΑΣ ΗΛΕΚΤΡΙΣΜΟΥ ΚΑΙ ΑΕΡΑ (αν υπάρχει).

Στα μοντέλα που ενεργοποιούνται με κύλινδρο αέρα είναι αναγκαίο να ακινητοποιηθεί ο διακόπτης σε θέση "Ο" με το προμηθευόμενο λουκέτο.

7.1 ΤΑΚΤΙΚΗ ΣΥΝΤΗΡΗΣΗ

ΟΙ ΕΝΕΡΓΕΙΕΣ ΤΑΚΤΙΚΗΣ ΣΥΝΤΗΡΗΣΗΣ ΜΠΟΡΟΥΝ ΝΑ ΕΚΤΕΛΕΣΤΟΥΝ ΑΠΟ ΤΟ ΧΕΙΡΙΣΤΗ.

- προσαρμογή/επαναφορά διαμέτρου και προφίλ της αιχμής του ηλεκτροδίου,
- έλεγχος ευθυγράμμισης ηλεκτροδίων,
- έλεγχος φορτίου ελατηρίου (δύναμη ηλεκτροδίων),
- επαλήθευση ακεραιότητας καλωδίου τροφοδοσίας πόντας και λαβίδας,
- αντικατάσταση ηλεκτροδίων και βραχιόνων.

7.2 ΕΚΤΑΚΤΗ ΣΥΝΤΗΡΗΣΗ

ΟΙ ΕΝΕΡΓΕΙΕΣ ΕΚΤΑΚΤΗΣ ΣΥΝΤΗΡΗΣΗΣ ΠΡΕΠΕΙ ΝΑ ΕΚΤΕΛΟΥΝΤΑΙ ΑΠΟΚΛΕΙΣΤΙΚΑ ΑΠΟ ΠΡΟΣΩΠΙΚΟ ΕΙΔΙΚΕΥΜΕΝΟ Η ΠΕΠΕΙΡΑΜΕΝΟ ΣΤΟΝ ΗΛΕΚΤΡΙΚΟ-ΜΗΧΑΝΙΚΟ ΤΟΜΕΑ.



ΠΡΟΣΟΧΗ! ΠΡΙΝ ΑΦΑΙΡΕΣΕΤΕ ΤΑ ΚΑΛΥΜΜΑΤΑ ΤΗΣ ΠΟΝΤΑΣ ΚΑΙ ΕΠΕΜΒΕΤΕ ΣΤΟ ΕΣΩΤΕΡΙΚΟ ΤΗΣ ΒΕΒΑΙΩΘΕΙΤΕ ΟΤΙ Η ΠΟΝΤΑ ΕΙΝΑΙ ΣΒΗΣΤΗ ΚΑΙ ΑΠΟΣΥΝΔΕΔΕΜΜΗ ΑΠΟ ΤΟ ΔΙΚΤΥΟ ΤΡΟΦΟΔΟΣΙΑΣ ΗΛΕΚΤΡΙΣΜΟΥ ΚΑΙ ΑΕΡΑ (αν υπάρχει).

Ενδεχόμενοι έλεγχοι που εκτελούνται υπό τάση στο εσωτερικό της πόντας μπορούν να προκαλέσουν σοβαρή ηλεκτροπληξία προκαλούμενη από άμεση επαφή με μέρη υπό τάση και/ή τραύματα οφειλόμενα σε άμεση επαφή με όργανα που κινούνται.

Περιοδικά και πάντως με συχνότητα ανάλογα με τη χρήση και τις συνθήκες περιβάλλοντος, επιθεωρήστε το εσωτερικό της πόντας και αφαιρέστε τη σκόνη και

μεταλλικά σωματίδια που εναποτέθηκαν πάνω στο σχηματιστή, μόντουλ θυριστόρων, μόντουλ διόδων, κλέμμα τροφοδοσίας, κλπ., με ξηρό πεπιεσμένο αέρα (το πολύ 5bar). **Αποφεύγετε να κατευθύνετε τον ξηρό πεπιεσμένο αέρα στις ηλεκτρονικές πλακέτες.** Μεριμνήστε για τον ενδεχόμενο καθαρισμό τους με πολύ μαλακιά βούρτσα ή κατάλληλα διαλυτικά.

Με την ευκαιρία:

- ελέγξτε ότι τα καμπλαρίσματα δεν παρουσιάζουν βλάβες στη μόνωση ή χαλαρωμένες - οξειδωμένες συνδέσεις.
- λιπαίνετε τις αρθρώσεις και τους αρμούς.
- ελέγξτε ότι οι βίδες σύνδεσης του δευτερεύοντος του μετασχηματιστή με τις τήξεις στηρίγματα-βραχιόνες είναι καλά σφαιλισμένες και δεν υπάρχουν σημεία οξειδωσης ή υπερθέρμανσης. Το ίδιο ισχύει και για τις βίδες μπλοκαρίσματος βραχιόνων και στηρίγμάτων ηλεκτροδίων.
- ελέγξτε ότι οι βίδες σύνδεσης του δευτερεύοντος του μετασχηματιστή με τις μπάρες / πλεξίδες εξόδου είναι καλά σφαιλισμένες και δεν υπάρχουν σημεία οξειδωσης ή υπερθέρμανσης.
- ελέγξτε τη συνέχεια του κύκλωματος γείωσης της μηχανής με το κύκλωμα συγκόλλησης (ηλεκτρόδια).
- ελέγξτε ότι οι βίδες σύνδεσης του δευτερεύοντος του μετασχηματιστή (αν υπάρχουν) είναι καλά σφαιλισμένες και δεν υπάρχουν σημεία οξειδωσης ή υπερθέρμανσης.
- Αφού εκτελέσατε τη συντήρηση ή επισκευή αποκαταστήστε συνδέσεις και καμπλαρίσματα όπως ήταν στην αρχή προσέχοντας ώστε αυτά να μην έρθουν σε επαφή με μέρη που κινούνται ή που φτάνουν σε υψηλές θερμοκρασίες. Δέστε με λωρίδες όλους τους αγωγούς όπως ήταν στην αρχή προσέχοντας να διατηρούνται χωριστά οι συνδέσεις του πρωτεύοντος σε υψηλή τάση από τις δευτερεύουσες σε χαμηλή τάση.
- Χρησιμοποιείτε όλες τις αυθεντικές ροδέλες και βίδες για να ξανακλείσετε το περιβλήμα.

7.3 ΑΝΑΖΗΤΗΣΗ ΒΛΑΒΩΝ

ΣΤΟ ΕΝΔΕΧΟΜΕΝΟ ΜΗ ΙΚΑΝΟΠΟΙΗΤΙΚΗΣ ΛΕΙΤΟΥΡΓΙΑΣ, ΚΑΙ ΠΡΙΝ ΕΚΤΕΛΕΣΕΤΕ ΠΙΟ ΣΥΣΤΗΜΑΤΙΚΟΥΣ ΕΛΕΓΧΟΥΣ Η ΑΠΕΥΘΥΝΘΕΙΤΕ ΣΤΟ ΤΕΧΝΙΚΟ ΣΕΡΒΙΣ, ΕΛΕΓΓΕΤΕ ΟΤΙ:

- Με ενεργοποιημένο μοχλό πιέζεται πράγματι ο μικροδιακόπτης δίνοντας στην ηλεκτρονική πλακέτα την άδεια συγκόλλησης.
- Δεν έχουν επέμβει οι θερμικές προστασίες.
- Τα μέρη που ανήκουν στο δευτερεύον κύκλωμα (τήξεις βάσεις βραχιόνων - βραχιόνες - στηρίγματα ηλεκτροδίων) δεν είναι αναποτελεσματικά εξαιτίας χαλαρωμένων βιδών ή οξειδώσεων.
- Οι παράμετροι συγκόλλησης (δύναμη και διάμετρος ηλεκτροδίων, χρόνος συγκόλλησης) δεν είναι ακατάλληλοι για την εργασία υπό εκτέλεση.

	pag.		pag.
1. ALGEMENE VEILIGHEID VOOR HET WEERSTANDSLASSEN	29	6. LASSEN (Puntlassen)	31
2. INLEIDING EN ALGEMENE BESCHRIJVING	30	6.1 PRELIMINAIRE OPERATIES	31
2.1 INLEIDING	30	6.2 REGELING VAN DE PARAMETERS	31
2.2 SERIE ACCESSOIRES	30	6.2.1 Modellen 6.9kA:	31
2.3 ACCESSOIRES OP AANVRAAG	30	6.2.2 Model 5.8kA:	31
3. TECHNISCHE GEGEVENS	30	6.3 PROCEDURE	31
3.1 KENTEKENPLAAT (FIG. A)	30	7. ONDERHOUD	31
3.2 ANDERE TECHNISCHE GEGEVENS	30	7.1 GEWOON ONDERHOUD	31
4. BESCHRIJVING VAN DE PUNTLASMACHINE	30	7.2 BUITENGEWOON ONDERHOUD	31
4.1 HOOFDCOMPONENTEN EN REGELINGEN (FIG. B)	30	7.3 OPZOEKEN VAN PROBLEMEN	31
4.2 BEDIENINGSPANEEL (alleen in de modellen 6.9kA) (FIG. C)	30		
5. INSTALLATIE	30		
5.1 INRICHTING	30		
5.2 WIJZE VAN OPHIJSEN	30		
5.3 PLAATSING	30		
5.4 VERBINDING MET HET NET	30		
5.4.1 Waarschuwingen	30		
5.4.2 Stekker en stopcontact	30		

APPARATUUR VOOR HET WEERSTANDSLASSEN VOOR INDUSTRIEEL EN PROFESSIONEEL GEBRUIK.

Opmerking: In de tekst wordt de term "puntlasmachine" gebruikt.

1. ALGEMENE VEILIGHEID VOOR HET WEERSTANDSLASSEN

De operator moet voldoende opgeleid zijn voor een veilig gebruik van de puntlasmachine en hij moet ingelicht zijn over de risico's verbonden met de werkwijzen van weerstandslas, over de desbetreffende beschermingsmaatregelen en noodprocedures.



- De elektrische installatie uitvoeren volgens de voorziene normen en wetten tegen arbeidsongevallen.
- De puntlasmachine moet uitsluitend aangesloten worden op een voedingssysteem met neutraalgeleider verbonden met de aarde.
- Controleren of het stopcontact correct verbonden is met de beschermende aarde.
- Geen kabels gebruiken met versleten isolatie of loszittende verbindingen.
- De puntlasmachine is vooringesteld aan een milieutemperatuur van de lucht begrepen tussen 5°C en 40°C en aan een relatieve vochtigheid gelijk aan 50% tot aan temperaturen van 40°C en van 90% voor temperaturen tot 20°C.
- De puntlasmachine niet gebruiken op vochtige of natte plaatsen of in de regen.
- De verbinding van de laskabels en gelijk welke ingreep van gewoon onderhoud op de armen en/of elektroden moeten uitgevoerd worden met een uitgeschakelde puntlasmachine die losgekoppeld is van het net van de elektrische en pneumatische (indien aanwezig) voeding. Dezelfde procedure moet gerespecteerd worden voor de aansluiting op de waterleiding of op een koelunit met gesloten circuit (watergekoelde puntlasmachines) en in ieder geval bij ingrepen van reparaties (buitengewoon onderhoud).



- Het gebruik van de apparatuur is verboden op plaatsen met zones geklasseerd met risico van ontploffing wegens de aanwezigheid van gas, stof of mist.
- Niet lassen op containers, bakken of buizen die vloeibare of gasachtige ontvlambare producten bevatten of bevat hebben.
- Vermijden te werken op materialen schoongemaakt met gechlorideerde oplosmiddelen of in de nabijheid van deze stoffen.
- Niet lassen op bakken onder druk.
- Alle ontvlambare stoffen (vb. hout, papier, vossen, enz.) uit de buurt van de werkplaats houden.
- Het juist gelaste stuk laten afkoelen! Het stuk niet plaatsen in de nabijheid van ontvlambare stoffen.
- Een adequate luchtverversing voorzien ofwel middelen gebruiken die geschikt zijn voor de afvoer van de lasrook in de nabijheid van de elektroden; men moet systematisch tewerk gaan bij de beoordeling van de limieten voor de blootstelling aan de lasrook in functie van hun samenstelling, concentratie en in functie van de tijdsduur van de blootstelling.



- De ogen altijd beschermen met een speciale beschermende bril.
- Beschermende handschoenen en kledij dragen die geschikt zijn voor de operaties met weerstandslas.
- Lawaai: Indien wegens bijzonder intensieve lasoperaties een niveau van dagelijkse persoonlijke blootstelling (LEP,d) dat gelijk is aan of groter is dan 85dB(A) wordt bereikt, is het gebruik verplicht van adequate persoonlijke beschermingsmiddelen.



- De doorgang van de stroom van het puntlassen veroorzaakt het ontstaan van elektromagnetische velden (EMF) die zich bevinden in de nabijheid van het circuit van puntlassen.

De elektromagnetische velden kunnen interfereren met sommige medische apparatuur (vb. Pace-maker, respirators, metalen prothesen, enz.).

Er moeten adequate beschermende maatregelen getroffen worden voor de dragers van deze apparatuur. Zoals bijvoorbeeld de toegang verbieden naar de gebruikszone van de puntlasmachine.

Deze puntlasmachine voldoet aan de technische standaard van het product voor het uitsluitend gebruik op industriële plaatsen voor professionele doeleinden.

Het voldoen aan de basislimieten m.b.t. de menselijke blootstelling aan de elektromagnetische velden in een huiselijke situatie is niet gegarandeerd.

De operator moet de volgende procedures volgen teneinde de blootstelling aan de elektromagnetische velden te verminderen:

- De twee kabels van puntlassen (indien aanwezig) zo dicht mogelijk bevestigen.
- Het hoofd en de romp van het lichaam zo ver mogelijk van het circuit van puntlassen houden.
- De kabels van puntlassen (indien aanwezig) nooit rond het lichaam wikkelen.
- Niet puntlassen met het lichaam temidden van het circuit van puntlassen. Beide kabels langs dezelfde kant van het lichaam houden.
- De retourkabel van de stroom van puntlassen (indien aanwezig) verbinden met het stuk dat moet gepuntlast worden, zo dicht mogelijk bij de lasnaad in uitvoering.
- Niet puntlassen in de nabijheid van, zittend of steunend op de puntlasmachine (minimum afstand: 50cm).
- Geen ferromagnetische voorwerpen in de nabijheid van het circuit van puntlassen laten.
- Minimum afstand:
 - d= 3cm, f= 50cm (Fig. G);
 - d= 3cm, f= 50cm (Fig. H);
 - d= 30cm (Fig. I);
 - d= 20cm (Fig. L) Studder.



- Apparatuur van klasse A: Deze puntlasmachine voldoet aan de vereisten van de technische standaard van het product voor het uitsluitend gebruik op industriële plaatsen voor professionele doeleinden.

Het voldoen aan de elektromagnetische compatibiliteit in huiselijke gebouwen en in diegene die rechtstreeks zijn aangesloten op een voedingsnet met lage spanning dat de stroom levert voor de gebouwen voor huiselijk gebruik is niet gegarandeerd.

VOORZIEN GEBRUIK

De installatie moet gebruikt worden voor het puntlassen van een of meerdere platen in staal of met een laag koolstofgehalte, met variabele vorm en afmetingen in functie van de uit te voeren bewerking.



RESTRISICO'S
RISICO VAN VERPLETLEN VAN DE BOVENSTE LEDEMATEN
DE HANDEN NIET IN DE NABIJHEID VAN ONDERDELEN IN BEWEGING
PLAATSEN!

De werkwijzen van de de puntlasmachine en de variabiliteit van vorm en afmetingen van het stuk in bewerking belemmeren het maken van een geïntegreerde bescherming tegen het gevaar van verpletten van de bovenste ledematen: vingers, handen, voorarmen.

Het risico moet beperkt worden door de volgende voorzorgsmaatregelen te treffen:

- De operator moet ervaring hebben of opgeleid zijn over de werkwijzen van weerstandslas met deze typologie van apparatuur.
- Er moet een risicobeoordeling worden uitgevoerd voor iedere typologie van uit te voeren werk; men moet uitrustingen en maskers voorzien die geschikt zijn om het stuk in bewerking te steunen en te begeleiden zodanig dat de handen verwijderd zijn van de gevaarlijke zone ter hoogte van de elektroden.
- Ingeval men een draagbare puntlasmachine gebruikt: de tang stevig vastgrijpen met beide handen geplaatst op de speciaal daartoe bestemde handvaten; de handen altijd uit de buurt van de elektroden houden.
- In alle gevallen waar de vorm van het stuk het mogelijk maakt, moet men de afstand van de elektroden zodanig regelen dat 6 mm aanslag niet overschreden worden.
- Voorkomen dat meerdere personen tegelijkertijd met dezelfde puntlasmachine werken.
- De werkplaats moet verboden zijn aan vreemde personen.
- De puntlasmachine niet onbewaakt laten: in dit geval is het verplicht ze los te koppelen van het voedingsnet; in de puntlasmachines met in werkingstelling met pneumatische cilinder, moet men de hoofdschakelaar naar de stand "O" brengen en blokkeren met het meegeleverde hangslot. De sleutel moet uitgetrokken worden en door de verantwoordelijke bewaard worden.
- Uitsluitend de elektroden voorzien voor de machine gebruiken (zie lijst reserveonderdelen) zonder de vorm ervan te wijzigen.

RISICO VAN BRANDWONDEN

Sommige gedeelten van de puntlasmachine (elektroden – armen en aangrenzende plaatsen) kunnen temperaturen bereiken boven de 65°C: men

moet een geschikte beschermende kledij dragen.
Het juist gelaste stuk laten afkoelen voordat men het aanraakt!

- RISICO VAN KANTELEN EN VALLEN

- De puntlasmachine op een horizontaal oppervlak plaatsen met een geschikt vermogen voor de massa; de puntlasmachine aan het steunvlak bevestigen (indien voorzien in het deel "INSTALLATIE" van deze handleiding). Zoniet, bij hellende of loszittende vloeren, bewegelijke steunvlakken, bestaat het gevaar voor kantelen.
- Het is verboden de puntlasmachine op te tillen, tenzij dit uitdrukkelijk voorzien is in het deel "INSTALLATIE" van deze handleiding.
- Ingeval men verrijdbare machines gebruikt: de puntlasmachine loskoppelen van het elektrisch en pneumatisch (indien aanwezig) net, voordat men de unit verplaatst naar een andere werkplaats. Letten op de hindernissen en de onregelmatigheden van het terrein (vb. Kabels en buizen).

- ONJUIST GEBRUIK

Het gebruik van de puntlasmachine is gevaarlijk voor alle bewerkingen die verschillen van diegene die voorzien zijn (zie VÓORZIEN GEBRUIK).



BESCHERMINGEN EN AFSCHERMINGEN

De beschermingen en de bewegelijke gedeelten van het omhulsel van de puntlasmachine moeten op hun plaats zijn, voordat de puntlasmachine wordt aangesloten op het voedingsnet.

LET OP! Gelijk welke handmatige ingreep op toegankelijke bewegelijke gedeelten van de puntlasmachine, bijvoorbeeld:

- Vervanging of onderhoud van de elektroden
 - Regeling van de stand van de armen of de elektroden
- MOET UITGEVOERD WORDEN MET DE PUNTLASMACHINE UITGESCHAKELD EN LOSGEKOPPELD VAN HET ELEKTRISCHE EN PNEUMATISCHE (indien aanwezig) VOEDINGSNET.
- HOOFDSCHAKELAAR GEBLOKKEERD "O" MET HET HANGSLOT GESLOTEN EN DE SLEUTEL UITGETROKKEN (in de modellen met in werkingstelling met PNEUMATISCHE CILINDER).

OPSLAG

- De machine en haar toebehoren (met of zonder verpakking) in gesloten lokalen plaatsen.
 - De relatieve vochtigheid van de lucht mag niet hoger zijn dan 80%.
 - De milieutemperatuur moet liggen tussen -15°C en 45°C.
- Indien de machine is uitgerust met een koelunit met water en een milieutemperatuur lager dan 0°C: de voorziene antivries vloeistof toevoegen ofwel het hydraulisch circuit en het waterreservoir volledig leegmaken. Altijd geschikte maatregelen treffen om de machine te beschermen tegen vochtigheid, vuil en corrosie.

2. INLEIDING EN ALGEMENE BESCHRIJVING

2.1 INLEIDING

Draagbare puntlasmachine voor weerstandlassen.

De reeks bestaat uit 3 modellen:

- 5.8kA:

Draagbare puntlasmachine met elektronische timer. Staat een nauwkeurige uitvoering toe van de laspunten dankzij de elektronische controle van de tijd van het puntlassen en de regeling van de kracht van de elektroden. Capaciteit van puntlassen op metalen platen van staal met een laag gehalte aan koolstof (standaard armen) tot een dikte van 1+1 mm.

- 6.9kA (230V):

Draagbare puntlasmachine met digitale controle met microprocessor. De hoofdkenmerken die bestuurd kunnen worden vanop het controlepaneel zijn:

- Selectie van de dikte van de te puntlassen metalen platen.
- Correctie van de tijd van het puntlassen.
- Mogelijkheid van invoer van de pulsatie van de stroom van het puntlassen.
- Regeling van de kracht van het puntlassen.
- Capaciteit van puntlassen op metalen platen van staal met een laag gehalte aan koolstof (standaard armen) tot een dikte van 2+2 mm.

- 6.9kA (400V):

Draagbare puntlasmachine met digitale controle met microprocessor. Zelfde kenmerken van het model 6.9kA (230V), maar werkt met voedingsspanning van 400V(380V-415V).

2.2 SERIE ACCESSOIRES

De basisuitrusting van de puntlasmachine bevat de armen van 120 mm en standaard elektroden.

2.3 ACCESSOIRES OP AANVRAAG

- Koppels armen en elektroden met verschillende lengte en/of vorm, ook in kit die meerdere koppels bevat.
- Wagentje voor armen: staat de steun van de puntlasmachine en de accessoires toe.

3. TECHNISCHE GEGEVENS

3.1 KENTEKENPLAAT (FIG. A)

De belangrijkste gegevens m.b.t. het gebruik en de prestaties van de puntlasmachine zijn samengevat op de plaat met de karakteristieken met de volgende betekenis .

- 1- Aantal fasen en frequentie van de voedingslijn.
- 2- Voedingsspanning.
- 3- Nominaal netvermogen met intermitterendverhouding van 50%.
- 4- Vermogen van net aan permanent regime (100%).
- 5- Maximum spanning leeg op de elektroden.
- 6- Maximum stroom met elektroden in kortsluiting.
- 7- Maximum kracht die door de elektroden kan uitgeoefend worden.
- 8- Stroom naar secundair aan permanent regime (100%).

Nota: het gegeven voorbeeld van de plaat is ter aanwijzing van de symbolen en de cijfers; de juiste waarden van de technische gegevens van de puntlasmachine in uw bezit moeten rechtstreeks op de kentekenplaat van de puntlasmachine zelf gelezen worden.

3.2 ANDERE TECHNISCHE GEGEVENS

Hoofdkenmerken: TAB. 1.

Massa van de puntlasmachine: TAB. 7.

4. BESCHRIJVING VAN DE PUNTLASMACHINE

4.1 HOOFDCOMPONENTEN EN REGELINGEN (FIG.B)

- 1- Stelschroef kracht elektroden.
- 2- Handvat plaatsbaar rechts/links.
- 3- Opening voor eventuele montage oogbout.

- 4- Bewegelijke lasarm.
- 5- Vaste lasarm.
- 6- Voedingskabel.
- 7- Kentekenplaat.
- 8- Microswitch.
- 9- Regeling tijd van puntlassen (alleen in het model 5.8kA (FIG. B1)); voor de modellen 6.9kA zie 4.2: BEDIENINGSPANEEL.
- 10- Hendl van puntlassen.

4.2 BEDIENINGSPANEEL (alleen in de modellen 6.9kA) (FIG. C)

- 1- Toets voor de correctie van de tijd van het puntlassen: bijregelen van de tijd van het puntlassen in vergelijking met de conditie van default fabrieksaf.
- 2- Toets voor de selectie dikte metalen plaat: selecteert de dikte van de metalen plaat die men moet puntlassen.
- 3- Drukknop van selectie wijze van puntlassen:



de stroom van puntlassen is pulserend. Bij de uitvoering van deze selectie verbetert men de capaciteit van puntlassen op metalen platen met een hoge limiet van elasticiteit ofwel op metalen platen met bijzondere beschermende folies. De periode van het pulseren is automatisch en vereist geen regeling.

— : nominaal puntlassen.

4- LEDS van signalering ingreep thermische beveiliging.

De twee leds knipperen afwisselend, de overige leds zijn uit, dit signaleert de blokkering van de puntlasmachine wegens overtemperatuur; het herstel is automatisch bij de terugkeer van de temperatuur binnen de voorziene limieten.

5. INSTALLATIE



OPGELET! ALLE OPERATIES VAN INSTALLATIE EN ELEKTRISCHE EN PNEUMATISCHE AANSLUITING UITVOEREN WANNEER DE PUNTLASMACHINE ZORGVULDIG IS UITGESCHAKELD EN LOSGEKOPPELD VAN HET VOEDINGSNET. DE ELEKTRISCHE EN PNEUMATISCHE AANSLUITINGEN MOETEN UITSLUITEND UITGEVOERD WORDEN DOOR ERVAREN OF GEKWALIFICEERD PERSONEEL.

5.1 INRICHTING

De puntlasmachine uitpakken, de montage uitvoeren van de losse gedeelten bevat in de verpakking.

5.2 WIJZE VAN OPHIJSEN

OPGELET! Alle puntlasmachines beschreven in deze handleiding zijn niet voorzien van hijsmiddelen; ingeval men een oogbout wenst aan te brengen om de puntlasmachine op te hangen gebruik makend van de opening (FIG. F (2)), erop letten dat het schroefdraadbeen niet meer dan 8mm binnendringt.

5.3 PLAATSING

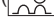
Op de plaats van installatie een voldoende ruime zone voorzien, vrij van hindernissen die geschikt is om een veilige toegang naar de bedieningspanelen en de werkzone (elektroden) te garanderen.

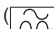
Verifiëren of er zich geen hindernissen bevinden ter hoogte van de openingen van de toevoer en afvoer van de koellucht, en hierbij controleren of er geen geleidende stoffen, corrosieve dampen, vocht, enz. kunnen aangezogen worden. De puntlasmachine op een vlak oppervlak van homogeen en compact materiaal plaatsen dat geschikt is om het gewicht ervan te dragen (zie "technische gegevens") teneinde het gevaar van kantelen en gevaarlijke verplaatsingen te voorkomen.

5.4 VERBINDING MET HET NET

5.4.1 Waarschuwingen

- Voordat men gelijk welke elektrische verbinding uitvoert, verifiëren of de gegevens op de plaat van de puntlasmachine overeenstemmen met de spanning en frequentie van het net beschikbaar op de plaats van installatie.
- De puntlasmachine moet uitsluitend verbonden worden met een voedingsstelsel met geleider van neutraal aangesloten op de aarde.
- Om de bescherming tegen een onrechtstreeks contact te garanderen, differentiaalschakelaars van het volgende type gebruiken:

- Type A  voor eenfasen machines;

- Type B  voor driefasen machines.

- Teneinde te voldoen aan de vereisten van de Norm EN 61000-3-11 (Flicker) raadt men aan de puntlasmachine te verbinden met de punten van interface van het voedingsnet die een impedantie hebben kleiner dan $Z_{max} = 0.179 \text{ ohm}$.
- De puntlasmachine valt niet onder de vereisten van de norm IEC/EN 61000-3-12. Indien ze aangesloten wordt op een openbaar voedingsnet, behoort het tot de verantwoordelijkheid van de installateur of de gebruiker om te verifiëren of de puntlasmachine kan worden aangesloten (indien nodig, de exploitant van het distributienet raadplegen).

5.4.2 Stekker en stopcontact

Met de voedingskabel een standaardstekker verbinden (3P+T: er worden slechts 2 polen gebruikt voor de verbinding 400V INTERFASEN; 2P+T: verbinding 230V EENFASE) met een adequaat vermogen en een stopcontact voorbereiden beschermd door zekeringen of door een thermomagnetische automatische schakelaar; de speciale aardklem moet verbonden worden met de aardegeleider (geel-groen) van de voedingslijn.

De wijze van verbinding en het aantal polen van de te gebruiken stekker, in functie van het distributiesysteem en de voedingsspanning van uw puntlasmachine, moet overeenstemmen met hetgeen voorzien is in de tabellen (TAB. 2; 3; 4; 5). Het vermogen van de stekker en de karakteristiek van de ingreep van de zekeringen en van de thermomagnetische schakelaar zijn aangeduid in de tabellen TAB. 1 en TAB. 7. Ingeval er meerdere puntlasmachines geïnstalleerd worden moet men de voeding cyclisch verdelen tussen de drie fasen zodanig dat er een meer evenwichtige belasting gerealiseerd wordt, bijvoorbeeld :

Puntlasmachines 230V:

- Puntlasmachine 1 : voeding L1-N.
- Puntlasmachine 2 : voeding L2-N.
- Puntlasmachine 3 : voeding L3-N.

enz.

Puntlasmachines 400V:

- Puntlasmachine 1 : voeding L1-L2.
- Puntlasmachine 2 : voeding L2-L3.
- Puntlasmachine 3 : voeding L3-L1.

enz.



OPGELET! Het niet in acht nemen van de voornoemde regels maakt het door de fabrikant voorzien veiligheidssysteem inefficiënt (klasse I) met daaruit volgende zware risico's voor de personen (vb. elektroshock) en voor de dingen (vb. brand).

6. LASSEN (Puntlassen)

6.1 PRELIMINAIRE OPERATIES

Voordat men gelijk welke operatie van puntlassen uitvoert, moet men een reeks nazichten en controles uitvoeren met de puntlasmachine losgekoppeld van het net:

- 1- Controleren of de elektrische aansluiting correct werd uitgevoerd volgens de vorige instructies.
 - 2- Uitlijning en kracht van de elektroden:
 - de onderste elektrode zorgvuldig blokkeren in de meest geschikte stand voor het werk in uitvoering,
 - de schroef van bevestiging van de bovenste elektrode losdraaien om de beweging ervan in het gat van de arm toe te staan,
 - tussen de elektroden een dikke plaats die overeenstemt met die van de te puntlassen metalen platen,
 - **FIG. D** de hendel 2 sluiten tot de armen parallel zijn en de punten van de elektroden samenvallen; de schroef 3 (d.M6) in dotatie vastdraaien, in het gat 1, om de hendel te blokkeren in de geschikte stand en de regeling van de kracht uitvoeren,
 - de bovenste elektrode in de correcte stand blokkeren en hierbij de schroef ervan zorgvuldig vastdraaien,
 - de kracht regelen die door de elektroden wordt uitgeoefend in de fase van het puntlassen FIG.E, door in te grijpen op de stelschroef (1) gebruik makend van de sleutel in dotatie; de ingestelde waarde in functie van de stand van de index van de gegradueerde schaal staat aangeduid op FIG. F .
- De TAB. 6 geeft de waarde van de kracht die bekomen kan worden met verschillende lengten van de armen.
Vastdraaien in de richting van de wijzers van de klok (naar rechts) om de kracht te vergroten proportioneel met het vergroten van de dikte van de metalen platen, hierbij evenwel de regeling aanpassen zodanig dat de sluiting van de grijper en de bijhorende activering van de microswitch worden uitgevoerd met een beperkte inspanning.

6.2 REGELING VAN DE PARAMETERS

6.2.1 Modellen 6.9kA:

- de dikte van de te puntlassen metalen plaat selecteren gebruik makend van de toets (2 - FIG. C) geplaatst op het bedieningspaneel van de puntlasmachine;
 - het type van puntlassen selecteren (continu of gepulseerd) gebruik makend van de toets (3 - FIG. C).
- Het is mogelijk de tijd van het puntlassen van default in meer of minder te corrigeren indien nodig gebruik makend van de toets (1 - FIG. C).

6.2.2 Model 5.8kA:

Nadat de tijd van het puntlassen regelen gebruik makend van de potentiometer (9 - FIG. B1) geplaatst op de achterkant van de puntlasmachine; zo laag mogelijke waarden gebruiken compatibel met de correcte uitvoering van de punt (zie: 6.3 PROCEDURE).

6.3 PROCEDURE

Nadat de puntlasmachine gevoed is, moet men voor de uitvoering van het puntlassen de volgende instructies volgen:

- de onderste elektrode doen steunen op de te puntlassen metalen plaat;
- de hendel van de grijper activeren bij de eindaanslag, en vervolgens tot de microswitch wordt ingedrukt (8-FIG.B) zodanig dat men bekomt:
 - a) sluiting van de metalen platen tussen de elektroden met een vooraf geregelde kracht;
 - b) doorgang van de lasstroom gedurende de vooringestelde tijd.
- de hendel van de grijper enkele ogenblikken loslaten. Deze vertraging (behoud), geeft betere mechanische kenmerken aan het punt.

Bij gebrek aan een specifieke ervaring is het best enkele testen van puntlassen uit te voeren gebruikmakend van spieën van plaatijzer van dezelfde kwaliteit en dikte van het uit te voeren werk.

De uitvoering van het punt wordt als zijnde correct beschouwd wanneer men, met een test van trek, de extractie veroorzaakt van de kern van de laspunt uit een van de twee metalen platen.



LET OP! De puntlasmachine is voorzien van een beschermende aardleiding die het lascircuit rechtstreeks verbindt met de aarde.

Het lassen alleen uitvoeren indien de samen te brengen platen geïsoleerd zijn van de aarde!

Zo niet, het lassen onmiddellijk onderbreken en de aardleiding van de apparatuur en van de puntlasmachine laten controleren door een persoon met ervaring of met een kwalificatie op technisch gebied.

7. ONDERHOUD



LET OP! VOORDAT MEN DE OPERATIES VAN ONDERHOUD UITVOERT, MOET MEN CONTROLEREN OF DE PUNTLASMACHINE UITGESCHAKELD IS EN LOSGEKOPPELD VAN HET NET VAN DE ELEKTRISCHE EN PNEUMATISCHE (indien aanwezig) VOEDING.

In de versies met aandrijving met pneumatische cilinder moet de schakelaar geblokkeerd worden in de stand "0" met het bijgeleverd hangslot.

7.1 GEWOON ONDERHOUD

DE OPERATIES VAN GEWOON ONDERHOUD KUNNEN UITGEVOERD WORDEN DOOR DE OPERATOR.

- aanpassing/herstel van de diameter en van het profiel van de punt van de elektrode;
- controle uitlijning van de elektroden;
- controle van de veerbelasting (kracht elektroden);
- nazicht integriteit van de voedingskabel van de puntlasmachine en van de grijper;
- vervanging van de elektroden en de armen.

7.2 BUITENGEWOON ONDERHOUD

DE OPERATIES VAN BUITENGEWOON ONDERHOUD MOETEN UITSLUITEND WORDEN UITGEVOERD DOOR PERSONEEL MET ERVARING OF MET EEN KWALIFICATIE OP ELEKTRISCH-MECHANISCH GEBIED.



LET OP! VOORDAT MEN DE PANELEN VAN DE PUNTLASMACHINE WEGNEEMT EN GAAT NAAR DE BINNENKANT ERVAN, MOET MEN VERIFIËREN OF DE PUNTLASMACHINE IS UITGESCHAKELD EN LOSGEKOPPELD VAN HET NET VAN DE ELEKTRISCHE EN PNEUMATISCHE (indien aanwezig) VOEDING.

Eventuele controles uitgevoerd onder spanning aan de binnenkant van de puntlasmachine kunnen ernstige elektrische schokken veroorzaken te wijten aan een rechtstreeks contact van de gedeelten in spanning en/of letsel te wijten aan een rechtstreeks contact met organen in beweging.

Regelmatig en alleszins met een regelmaat in functie van het gebruik en de milieu-omstandigheden, de binnenkant van de puntlasmachine nakijken en stof en metalen deeltjes verwijderen die zich afzetten op de transformator, module thyristor, module diode, klemmenbord voeding, enz., middels een straal droge perslucht (max 5bar).

Vermijden de straal perslucht te richten naar de elektronische kaarten; zorgen voor hun eventuele schoonmaak met een heel zachte borstel of geschikte oplosmiddelen.

Bij gelegenheid:

- verifiëren of de bekabelingen geen schade vertonen aan de isolatie of loszittende-geoxideerde verbindingen hebben.
 - de knooppunten en de stiften smeren.
 - verifiëren of de verbindingsschroeven van het secundair van de transformator naar de koppelingen armhouders goed vastgedraaid zijn en of er geen tekens van oxidatie of oververhitting zijn; hetzelfde dient gezegd te worden voor de blokkeerschroeven van de armen en de elektrodenhouders.
 - verifiëren of de verbindingsschroeven van het secundair van de transformator naar de balken/strengen van uitgang goed vastgedraaid zijn en of er geen tekens van oxidatie of oververhitting zijn.
 - de continuïteit verifiëren van het aarddecircuit van de machine met het lascircuit (elektroden).
 - verifiëren of de verbindingsschroeven van het secundair van de transformator (indien aanwezig) goed vastgedraaid zijn en of er geen tekens van oxidatie of oververhitting zijn.
 - Nadat men het onderhoud of de reparatie heeft uitgevoerd, de verbindingen en de bekabelingen herstellen zoals ze oorspronkelijk waren en ervoor zorgen dat deze niet in contact komen met gedeelten in beweging of met gedeelten die hoge temperaturen kunnen bereiken. Alle geleiders omwikkelen zoals ze oorspronkelijk waren en ervoor zorgen dat de verbindingen van het primair in hoge spanning en het secundair in lage spanning goed van elkaar gescheiden zijn.
- Alle originele sluitingen en Schroeven gebruiken voor het terug sluiten van de constructie.

7.3 OPZOEKEN VAN PROBLEMEN

INDIEN DE WERKING NIET BEVREDIGEND IS, EN VOORDAT MEN MEER SYSTEMATISCHE NAZICHTEN UITVOERT OF ZICH WENDT TOT EEN ASSISTENTIECENTRUM, MOET MEN CONTROLEREN OF:

- Met de hendel voor het lassen geactiveerd, de microswitch effectief wordt ingedrukt en hierbij aan de elektronische kaart de toestemming geeft voor het lassen.
- De thermische beveiligingen niet zijn ingegrepen.
- De elementen die deel uitmaken van het secundair circuit (koppelingen armhouders – armen – elektrodenhouders) niet inefficiënt zijn wegens loszittende Schroeven of oxideringen.
- De parameters van het lassen (kracht en diameter elektroden, tijd van lassen) niet ongeschikt zijn voor het werk in uitvoering.

	oldal		oldal
1. ÁLTALÁNOS BIZTONSÁGI SZABÁLYOK AZ ELLENÁLLÁS-HEGESZTÉSHEZ.....	32	6.1 ELŐZETES MŰVELETEK.....	34
2. BEVEZETÉS ÉS ÁLTALÁNOS LEÍRÁS	33	6.2 PARAMÉTEREK BEÁLLÍTÁSA.....	34
2.1 BEVEZETÉS	33	6.2.1 6.9kA modellek:	34
2.2 SZÉRIA KIEGÉSZÍTŐK	33	6.2.2 5.8kA modell:	34
2.3 IGÉNYELHETŐ KIEGÉSZÍTŐK	33	6.3 ELJÁRÁS	34
3. MŰSZAKI ADATOK	33	7. KARBANTARTÁS.....	34
3.1 ADAT-TÁBLA (A ÁBRA).....	33	7.1 RENDES KARBANTARTÁS.....	34
3.2 EGYÉB MŰSZAKI ADATOK.....	33	7.2 RENDKÍVÜLI KARBANTARTÁS	34
4. A PONTHEGESZTŐ LEÍRÁSA	33	7.3 MEGHIBÁSODÁSOK FELTÁRÁSA.....	34
4.1 FŐ ALKOTÓRÉSZEK ÉS SZABÁLYOZÁSOK (B ÁBRA)	33		
4.2 VEZÉRLŐPANEL (csak a 6.9kA modelleknél) (C ÁBRA)	33		
5. ÖSSZESZERELÉS	33		
5.1 ELRENDEZÉS	33		
5.2 A FELEMELÉS MÓDOZATA.....	33		
5.3 ELHELYEZÉS.....	33		
5.4 CSATLAKOZTATÁS A HÁLÓZATHOZ	33		
5.4.1 Figyelmeztetés	33		
5.4.2 Csatlakozódugó és aljzat	33		
6. HEGESZTÉS (Ponthegesztés)	34		

ELLENÁLLÁS-HEGESZTŐ BERENDEZÉSEK IPARI ÉS PROFESSZIONÁLIS FELHASZNÁLÁSHOZ.

Megjegyzés: A következő szövegben a "ponthegesztő" kifejezést alkalmazzuk.

1. ÁLTALÁNOS BIZTONSÁGI SZABÁLYOK AZ ELLENÁLLÁS-HEGESZTÉSHEZ
A kezelőnek kielégítő ismeretekkel kell rendelkeznie a ponthegesztő biztonságos használatára vonatkozóan és tájékoztatva kell lennie az ellenállás-hegesztési folyamatokkal kapcsolatos kockázatokról, a vonatkozó védelmi intézkedésekről és a vészhelyzeti eljárásokról.



- Végezze el az elektromos beszerelést az előírt szabványok és balesetvédelmi törvények szerint.
- A ponthegesztőt kizárólag egy földelt, semleges vezetékkel szabad a táprendszerbe csatlakoztatni.
- Győződjön meg arról, hogy a tápaljzat helyesen van csatlakoztatva a védőföldeléshez.
- Ne használjon sérült szigetelésű vagy meglazult csatlakozókkal rendelkező vezetékeket.
- A ponthegesztőt 5°C és 40°C közötti környezeti hőmérsékleten használja, valamint a relatív páratartalom 40°C hőmérsékletig 50%-os és 20°C hőmérsékletig 90%-os legyen.
- Ne használja a ponthegesztőt nedves vagy vizes környezetekben vagy esőben.
- A hegesztőkábelek csatlakoztatását és a hegesztőkarokon és/vagy az elektródákon végzendő, bármilyen rendes karbantartási beavatkozást kikapcsolt és az elektromos és pneumatikus (ha van) táphálózatból kicsatlakoztatott ponthegesztővel kell végrehajtani. Ugyanilyen módon kell eljárni a vízhálózatához vagy egy zártkörű hűtőegységhez (vízzel hűtött ponthegesztők) történő bekötésnél és minden javító beavatkozás esetén (rendkívüli karbantartás).



- Tilos a berendezés használata gázok, porok vagy gőzök jelenléte miatt robbanásveszélyesnek nyilvánított zónák közé besorolt környezetekben.
- Ne hegeszsen olyan tartályokat, edényeket vagy csövezetéseket, amelyek folyékony vagy gáznemű, gyúlékony termékeket tartalmaznak vagy tartalmaztak.
- Kerülje a munkavégést klórtartalmú oldószerekkel tisztított anyagokon vagy az említett oldószerek közelében.
- Ne hegeszsen nyomás alatt álló edényeket.
- Távolítsa el a munkaterületről minden gyúlékony anyagot (pl. fa, papír, rongyok, stb.).
- Hagyja lehűlni a frissen hegesztett munkadarabot! Ne tegye a munkadarabot gyúlékony anyagok közelébe.
- Biztosítson megfelelő légáramlást vagy a hegesztési füstök eltávolítására alkalmas eszközöket az elektródák közelében; alkalmasságukat felmérés szükséges a hegesztési füstöknek való kitétel határértékeinek meghatározásához azok összetétele, koncentrációja és az azoknak való kitétel időtartama függvényében.



- Mindig óvja a szemét megfelelő védőszemüveggel.
- Viseljen az ellenállás-hegesztési munkákhoz alkalmas védőkesztyűt és védőruházatot.
- Zajszint: Ha a különösen intenzív hegesztési műveletek következtében 85db(A) értékkel azonos vagy annál magasabb, személyi napi zajexpozíció szint (LEP,d) tapasztalható, akkor kötelező a megfelelő, egyéni védőfelszerelések használata.



- A ponthegesztő áram áthaladása a ponthegesztő áramkör környékén lokalizált, elektromágneses terek (EMF) keletkezését okozza.

Az elektromágneses terek néhány orvosi készülékkel (pl. Pace-maker, lélegeztetők, fémprotézisek, stb.) interferálhatnak. Az ilyen készülékeket viselők számára megfelelő óvintézkedéseket kell hozni. Például meg kell tiltani a ponthegesztő gép használati térségének megközelítését.

Ez a ponthegesztő gép megfelel azon műszaki termékszabványok követelményeinek, amelyek meghatározzák az ipari környezetben,

professzionális célból való, kizárólagos felhasználást. Nem biztosított azon határértékeknek való megfelelés, amelyek a háztartási környezetben az ember elektromágneses tereknek való kitételére vonatkoznak.

A kezelőnek a következő eljárásokat kell alkalmaznia az elektromágneses tereknek való kitétel csökkentése érdekében:

- Rögzítse együtt, egymáshoz a lehető legközelebb a két ponthegesztő kábelt (ha vannak).
- Tartsa a fejt és a törzsét a lehető legtávolabb a ponthegesztő áramkörtől.
- Soha ne csavarja a ponthegesztő kábeleket (ha vannak) a teste köré.
- Ne ponthegesszen úgy, hogy a teste a ponthegesztő áramkör között van. Tartsa mindkét kábelt a testéhez képest ugyanazon az oldalon.
- Csatlakoztassa a ponthegesztő áram visszavezető kábelét (ha van) a ponthegesztő munkadarabhoz, a lehető legközelebb a készítenő varrhoz.
- Ne ponthegesszen a ponthegesztő gép mellett, azon ülve vagy annak nekítámaszkodva (minimum távolság: 50 cm).
- Ne hagyjon ferromágneses tárgyakat a ponthegesztő áramkör közelében.
- Minimum távolság:
 - d = 3cm, f = 50cm (G ÁBRA);
 - d = 3cm, f = 50cm (H ÁBRA);
 - d = 30cm (I ÁBRA);
 - d = 20cm (L ÁBRA) Studder.



- A osztályú berendezés:

Ez a ponthegesztő gép megfelel azon műszaki termékszabványok követelményeinek, amelyek meghatározzák az ipari környezetben, professzionális célból való, kizárólagos felhasználást.

Nem biztosított az elektromágneses kompatibilitásnak való megfelelése a lakóépületekben és a háztartási célú használatra az épületeket ellátó, kifizetésű táphálózatokhoz közvetlenül csatlakoztatott épületekben.

ELŐÍRT HASZNÁLAT

A berendezést egy vagy több, az elvégezendő megmunkálás függvényében változó formájú és méretű, alacsony széntartalmú acéllemez ponthegesztéséhez kell használni.



FENNMARADÓ KOCKÁZATOK A FELSŐ VÉGTAGOK ÖSSZENYOMÓDÁSÁNAK KOCKÁZATA NEM HELYEZZE A KEZEIT MOZGÁSBAN LÉVŐ RÉSZEK KÖZELÉBE!

A ponthegesztő működési módozata és a megmunkálás alatt lévő munkadarab formájának és méreteinek változatossága akadályozzák a felső végtagok – ujjak, kéz, alkar – összenyomódásának veszélyével szembeni, integrált védelem megvalósítását.

A kockázatot le kell csökkenteni a megfelelő balesetmegelőző intézkedések megtétele útján:

- A kezelőnek tapasztaltnak vagy tájékozottnak kell lennie az ilyen típusú berendezésekkel végzendő, ellenállás-hegesztési eljárásokra vonatkozóan.
- Minden elvégezendő munkatípusra vonatkozóan a kockázat felmérését végre kell hajtani; elő kell készíteni a megfelelő felszereléseket és védőburkolatokat a megmunkálás alatt lévő darab megtartásához és vezetéséhez oly módon, hogy ezáltal eltávolítsuk a kezünket az elektródák veszélyes zónájától.
- Hordozható ponthegesztő használata esetén: erősen fogja meg a fogót az adott fogantyúkra helyezett, mindkét kézzel; mindig tartsa távol a kezeit az elektródáktól.
- Minden olyan esetben, ahol a munkadarab formája lehetővé teszi, állítsa be az elektródák távolságát oly módon, hogy ne haladjon meg a 6 mm-es pályát.
- Akadályozza meg, hogy egyidejűleg több személy dolgozzon ugyanazzal a ponthegesztővel.
- A munkazóna megközelítését meg kell tiltani kívülről álló személyek számára.
- Ne hagyja őrizetlenül a ponthegesztőt: ellenkező esetben kötelező a kicsatlakoztatása a táphálózatból; a pneumatikus hengeres működtetésű ponthegesztőknél állítsa a főkapcsolót a "0"-ra és zárja le a tartozékként nyújtott lakattal, majd húzza ki a kulcsot és adja át a felelős személynek megőrzés céljából.
- Kizárólag a géphez előírt elektródákat használja (lásd cserealkatrész-jegyzék), azok formájának megváltoztatása nélkül.

ÉGÉSI SÉRÜLÉSEK KOCKÁZATA

A ponthegesztő egyes részei (elektródák - hegesztőkarok és a mellettük lévő területek) 65°C-nál magasabb hőmérsékleteket érhetnek el: megfelelő védőruházatok viselése szükséges.

Hagyja lehűlni a frissen hegesztett munkadarabot, mielőtt hozzárna!

FELBORULÁS ÉS LEESÉS KOCKÁZATA

- Helyezze a ponthegesztőt egy a tömegének megfelelő teherbírási,

vízszintes felületre; rögzítse a támaszfelületre a ponthegesztőt (amikor az előírt a jelen kézikönyv "ÖSSZESZERELÉS" szakaszában). Mäskülönbven lejtos vagy összefüggéstelen padlózat, mozgó támaszfelületek esetén a felborulás veszélye fennáll.

- Tilos a ponthegesztő felemelése, kivéve a jelen kézikönyv "ÖSSZESZERELÉS" szakaszában kifejezetten előírt esetben.
- Guruló állvánnyal ellátott gépek használata esetén: csatlakoztassa ki a ponthegesztőt az elektromos és pneumatikus (ha van) tápellátásból az egységnek egy másik munkazónába történő áthelyezése előtt. Figyeljen az akadályokra és a talaj egyenetlenségeire (például kábelek és csövek).

- **NEM RENDELTETÉSSZERŰ HASZNÁLAT**
Veszélyes a hegesztő felhasználása az előírtaktól különböző, bármilyen megmunkáláshoz (lásd ELŐÍRT HASZNÁLAT).



VÉDELMEK ÉS BURKOLATOK

A ponthegesztő védelmeinek és a burkolat levehető részeinek a helyükön kell lenniük a ponthegesztő táphálózatba történő bekötése előtt.

FIGYELEM! Bármilyen kézi beavatkozást a ponthegesztő megközelíthető, levehető részein, például:

- Az elektródák cseréje vagy karbantartása
 - A hegesztőkarok vagy elektródák pozíciójának beállítása
- KIKAPCSOLT VALAMINT AZ ELEKTROMOS ÉS PNEUMATIKUS (ha van) TÁPHÁLÓZATBOL KICSATLAKOZTATOTT PONTHEGESZTŐVEL KELL ELVÉGEZNI.**
- "O" POZÍCIÓBAN BLOKKOLT FŐKAPCSOLÓ LEZÁRT LAKATTAL ÉS KIHÚZOTT KULCCSAL A PNEUMATIKUS HENGERES MŰKÖDTETÉSŰ MODELLEKNÉL.**

TÁROLÁS

- Helyezze a gépet és a tartozékait (a csomagolóanyaggal vagy anélkül) zárt helyiségbe.
 - A levegő relatív páratartalma nem lehet 80%-nál magasabb.
 - A környezeti hőmérsékletnek -15°C és 45°C között kell lennie.
- Vízűtéses egységgel felszerelt gép és 0°C -nál alacsonyabb, környezeti hőmérséklet esetén: tölts be az előírt, fagyálló folyadékot vagy teljesen ürítse ki a hidraulikus rendszert és a víztartályt.
- Mindig megfelelően gondoskodjon a gép nedvességgel, szennyeződéssel és korrózióval szembeni védelmére.

2. BEVEZETÉS ÉS ÁLTALÁNOS LEÍRÁS

2.1 BEVEZETÉS

Hordozható ponthegesztő ellenállás-hegesztéshez.

A széria 3 modelltől tevődik össze:

- **5.8kA:**
Hordozható ponthegesztő elektronikus időzítő berendezéssel. Lehetővé teszi a hegesztési pontok precíz elkészítését a hegesztési idő elektronikus ellenőrzésének és az elektróda nyomóerő szabályozásának köszönhetően. Ponthegesztési képesség alacsony széntartalmú acéllemezen (standard hegesztőkarok) 1+1 mm-es vastagságig.
- **6.9kA (230V):**
Hordozható ponthegesztő mikroprocesszoros, digitális ellenőrzéssel. Az ellenőrző panelről vezérelhető, alapvető karakterisztikák a következők:
 - A ponthegesztésre szánt lemezek vastagságának kiválasztása.
 - A ponthegesztési idő javítása.
 - A ponthegesztő áram pulzálás bekapcsolásának lehetősége.
 - Ponthegesztési nyomóerő szabályozása.
 - Ponthegesztési képesség alacsony széntartalmú acéllemezen (standard hegesztőkarok) 2+2 mm-es vastagságig.
- **6.9kA (400V):**
Hordozható ponthegesztő mikroprocesszoros, digitális ellenőrzéssel. Ugyanazok a karakterisztikák, mint a 6.9kA (230V) modellnél, csak 400V(380V-415V) tápfeszültséggel működik.

2.2 SZÉRIA KIEGÉSZÍTŐK

A ponthegesztő alapkészlet 120 mm-es hegesztőkarokat és standard elektródákat tartalmaz.

2.3 IGÉNYELHETŐ KIEGÉSZÍTŐK

- Eltérő hosszúságú és/vagy formájú hegesztőkar- és elektródapárok, a készlet is több párt tartalmaz.
- Kocsi a hegesztőkarok számára: lehetővé teszi a ponthegesztő és a kiegészítők elhelyezését.

3. MŰSZAKI ADATOK

3.1 ADAT-TÁBLA (A ÁBRA)

A ponthegesztő használatára és teljesítményeire vonatkozó, alapvető adatok a karakterisztikák táblázatában vannak feltüntetve a következő jelentéssel.

- 1- A tápvonal fázisszáma és frekvenciája.
- 2- Tápfeszültség.
- 3- Hálózati névleges teljesítmény 50%-os viszonylagos bekapcsolási idővel.
- 4- Állandó üzemi hálózati teljesítmény (100%).
- 5- Maximális üresjárás feszültség az elektródáknál.
- 6- Maximális áram az elektródáknál rövidzárlatnál.
- 7- Az elektródák által kifejtendő, maximális nyomóerő.
- 8- Állandó üzemi szekunder áram (100%).

Megjegyzés: A táblán feltüntetett lévda tájékoztató jellegű a jelek és a számok jelentését illetően; a tulajdonában lévő ponthegesztő műszaki adatainak pontos értékeit közvetlenül a ponthegesztő tábláján kell leolvasni.

3.2 EGYÉB MŰSZAKI ADATOK

Fő karakterisztikák: 1. TÁBL.


A ponthegesztő tömege: 7. TÁBL.

4. A PONTHEGESZTŐ LEÍRÁSA

4.1 FŐ ALKOTÓRÉSZEK ÉS SZABÁLYOZÁSOK (B ÁBRA)

- 1- Elektróda nyomóerő szabályozócsavar.
- 2- Beállítható jobb/bal markolat.
- 3- Furat az esetleges fémglyűrű felszereléséhez.
- 4- Mobil hegesztőkar.
- 5- Rögzített hegesztőkar.
- 6- Tápkábel.
- 7- Karakterisztikák tábla.
- 8- Mikrokapcsoló.
- 9- Hegesztési idő beállítása (csak a 5.8kA modellnél (B1 ÁBRA)); a 6.9kA modellekhez lásd a 4.2-t: VEZÉRLŐPANEL.
- 10- Ponthegesztő szabályozókar.

4.2 VEZÉRLŐPANEL (csak a 6.9kA modelleknél) (C ÁBRA)

- 1- **Gomb a ponthegesztési idő javításához:**
módosítja a ponthegesztési időt a gyári alapbeállítás feltételéhez képest.
- 2- **Gomb a lemeztávastagság kiválasztásához:**
kiválasztja annak a lemeznek a vastagságát, amelyet ponthegesztetni kell.
- 3- **Ponthegesztési üzemmód kiválasztó gomb:**
 : a hegesztőáram pulzáló lesz.
E kiválasztás végrehajtásával javítható a ponthegesztési teljesítmény a magas fáradási határértékkel rendelkező lemezeknél vagy különleges védőfóliával bevont lemezeknél. A pulzálási periódus automatikus, nem igényel beállítást.

 : normál ponthegesztés.

4- Termikus védelmi beavatkozást kijelző LED-EK.

A két led felváltva villog, viszont a fennmaradó led-ek ki vannak kapcsolva, jelezve ezzel a ponthegesztő túl magas hőmérséklete miatt bekövetkező leállását; a visszaállítás automatikus a hőmérsékletnek az előírt határértékek közé történő visszatérése után.

5. ÖSSZESZERELÉS



FIGYELEM! MINDEN EGYES ÖSSZESZERELÉSI VALAMINT ELEKTROMOS ÉS PNEUMATIKUS BEKÖTÉSI MŰVELETET SZIGORÚAN KIKAPCSOLT ÁLLAPOTBAN LÉVO ÉS A TÁPHÁLÓZATBOL KICSATLAKOZTATOTT PONTHEGESZTŐVEL VÉGEZZEN EL, AZ ELEKTROMOS ÉS PNEUMATIKUS BEKÖTÉSEKET KIZÁRÓLAG TAPASZTALT VAGY KÉPESÍTETT DOLGOZÓ VÉGEZHETI EL.

5.1 ELRENDEZÉS

Csomagolja ki a ponthegesztőt, szerelje össze a csomagban található különálló részeket.

5.2 A FELEMELÉS MÓDOZATA

FIGYELEM: A jelen használati útmutatóban ismertetett valamennyi ponthegesztő emelőszerkezetek nélkül van leszállítva; abban az esetben, ha egy fémglyűrű szeretne felerősíteni a furatba a ponthegesztő felfüggesztéséhez (**F ÁBRA (2)**), vigyázzon arra, hogy a menetes szár ne hatoljon be 8 mm-nél mélyebbre.

5.3 ELHELYEZÉS


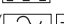
Tartson fenn a beszerelési zónában egy kellőképpen tágas és akadályoktól mentes területet, amely lehetővé teszi a vezérlőpanelhez és a munkaterülethez (elektródák) való hozzáférést teljesen biztonságos körülmények között.

Győződjön meg arról, hogy nincsenek akadályok a hűtőlevegő bemeneti vagy kimeneti nyílásai előtt, ellenőrizve azt, hogy ne tudjon beszivni vezetékpes porokat, korróziót keltő gőzöket, nedvességet stb.

Helyezze a ponthegesztőt egy olyan homogén és tömör anyagból álló, sík felületre, amely alkalmas a súlyának elbírására (lásd "műszaki adatok"), a felborulás vagy veszélyes elmozdulások kockázatának elkerülése végett.

5.4 CSATLAKOZTATÁS A HÁLÓZATHOZ

5.4.1 Figyelmeztetés

- Bármilyen villamos összeköttetés létesítése előtt ellenőrizze, hogy a ponthegesztő tábláján feltüntetett adatok az összeszerelés helyén rendelkezésre álló hálózati feszültség és frekvencia értékeknek megfelelnek.
- A ponthegesztőt kizárólag egy földelt, semleges vezetékkel szabad a táprendszerbe csatlakoztatni.
- A közvetett érintkezés elleni védelem biztosításához az alábbi típusú differenciálkapcsolókat használja:
 - A típusú  az egyfázisú gépekhez;
 - B típusú  a háromfázisú gépekhez.
- Az EN 61000-3-11 (Flicker) Szabvány követelményeinek kielégítése céljából javasolt a ponthegesztő csatlakoztatása a táphálózat interfész pontjaihoz, amelyek impedanciája kisebb, mint $Z_{max} = 0.179 \text{ ohm}$.
- A ponthegesztő gép az IEC/EN 61000-3-12 szabvány követelményeinek nem felel meg.
Ha azt egy közszolgáltató táphálózatához kötik be, a beszerelő vagy a felhasználó felelősségébe tartozik annak vizsgálata, hogy a ponthegesztő gép csatlakoztatható-e (szükség esetén konzultáljon a disztribúciós hálózat kezelőjével).

5.4.2 Csatlakozódugó és aljzat

Csatlakoztasson a tápkábelhez egy megfelelő teljesítményű, szabványosított csatlakozódugót (3P+T : csak 2 pólust kell használni a KÉT FÁZIS KÖZÖTT mérhető 400V csatlakozáshoz; 2P+T: EGYFÁZISOS 230V csatlakozás) és készítsen elő egy biztosítékokkal vagy termomágneseles, automata megszakítóval védett, hálózati csatlakozójelzatót; az adott földelő kapcsot a tápvonal földvezetékekhez (sárga-zöld) kell csatlakoztatni.

A csatlakoztatás módozatának és a felhasználandó csatlakozódugó pólusszámának meg kell felelnie a táblázatokban (2; 3; 4; 5 TÁBL.) előírtaknak, a ponthegesztő áramelosztó hálózatának és a tápfeszültség függvényében.

A csatlakozódugó teljesítménye valamint a biztosítékok és a termomágneseles megszakító beavatkozási jellemzője az 1. TÁBL.-ban és 7. TÁBL.-ban vannak feltüntetve.

Amennyiben több ponthegesztőt szerel be, akkor ciklikusan ossza el az áramellátást a három fázis között oly módon, hogy egy kiegyensúlyozottabb terhelés valósuljon meg; például:

ponthegesztők 230V:

1. ponthegesztő: L1-N áramellátás.
 2. ponthegesztő: L2-N áramellátás.
 3. ponthegesztő: L3-N áramellátás.
- Stb.

ponthegesztők 400V:

1. ponthegesztő: L1-L2 áramellátás.
 2. ponthegesztő: L2-L3 áramellátás.
 3. ponthegesztő: L3-L1 áramellátás.
- Stb.



FIGYELEM! A fentemlített szabályok figyelmen kívül hagyása hatástalanul teszi a gyártó által beépített biztonsági rendszert (I osztály), amely súlyos veszélyek kialakulását eredményezi személyekre (pl. elektromos áramütés) és dolgokra (pl. tűzvész) vonatkozóan.

6. HEGESZTÉS (Ponthegeztés)

6.1 ELŐZETES MŰVELETEK

Bármilyen ponthegeztési művelet végrehajtása előtt egy sorozat vizsgálat és szabályozás elvégzése szükséges a hálózatról kicsatlakoztatott ponthegeztővel:

- 1- Ellenőrizze, hogy az elektromos bekötést helyesen, a korábbi utasítások szerint elvégezte.
- 2- Az elektródák sorbarendezése és nyomóereje:
 - gondosan rögzítse az alsó elektródát a végrehajtandó munkához legalkalmasabb pozícióban;
 - lazítsa meg a felső elektróda rögzítő csavarját annak lehetővé tételéhez, hogy az a hegesztőkar furatában szabadon csússzon;
 - Helyezzen az elektródák közé a ponthegeztésre szánt lemezek vastagságával megegyező lapot;
 - **D ÁBRA** zárja el a szabályozókart 2 annyira, hogy a hegesztőkarok párhuzamosak legyenek és az elektródák hegyei egybeessenek; csavarja be a tartozékként nyújtott csavart 3 (d.M6) a furatba 1, a szabályozókarnak a nyomóerő-szabályozás végrehajtásához alkalmas pozícióban történő rögzítéséhez;
 - rögzítse a felső elektródát a helyes pozícióban úgy, hogy gondosan szorítsa meg a csavart;
 - állítsa be az elektródák által a ponthegeztési fázisban kifejtendő nyomóerőt E ÁBRA, a szabályozócsavart elfordítva (1) a tartozékként nyújtott kulcs felhasználásával; a fokbeosztáson a mutató állásának függvényében beállított érték az F ÁBRÁN van feltüntetve. A 6. TÁBL. a különféle hegesztőkar hosszúságokkal elérhető nyomóerő értéket tünteti fel. Csavarja el azt az órajárással megegyező (jobb) irányban a lemezek vastagságának növekedésével arányosan növekvő nyomóerő eléréséhez, olyan mértékben, hogy a csipesz zárása és a mikrokapcsoló működése nagyon korlátozott erő kifejtése mellett valósuljon meg.

6.2 PARAMÉTEREK BEÁLLÍTÁSA

6.2.1 6.9kA modellek:

- válassza ki a ponthegeztésre szánt lemez vastagságát a ponthegeztő vezérlőpanelén elhelyezett (2 - C ÁBRA) gomb felhasználásával;
 - válassza ki a ponthegeztés típusát (folyamatos vagy pulzáló) a (3 - C ÁBRA) gomb felhasználásával.
- Ki lehet javítani, ahol az szükséges, plusz vagy mínusz irányban az alapbeállítási ponthegeztési időt az (1 - C ÁBRA) gomb felhasználásával.

6.2.2 5.8kA modell:

Állítsa be a ponthegeztési időt a ponthegeztő hátoldalán elhelyezett potenciométer (9 - B1 ÁBRA) alkalmazásával; a hegesztési pont helyes elkészítésével összeegyeztethető módon, a lehető legalacsonyabb értékeket használja (lásd: 6.3 ELJÁRÁS).

6.3 ELJÁRÁS

A ponthegeztő áram alá helyezése után a ponthegeztés végrehajtásához tartsa be a következő utasításokat:

- támassza az alsó elektródát a ponthegeztésre szánt lemezre;
- működtesse a csipesz karját végállásig, azaz amíg be nem nyomja a mikrokapcsolót (8-B ÁBRA), elérve ezzel:
 - a) a lemez összezárását az elektródák között az előre beállított nyomóerő segítségével;
 - b) a hegesztőáram átáramlását az előre megszabott időtartamon belül.
- néhány pillanat eltelte után engedje ki a csipesz karját. Ez a késés (megtartás) jobb mechanikai tulajdonságokat biztosít a hegesztési pont számára.

Sajátos tapasztalat hiányában néhány ponthegeztési próba elvégzése javasolt ugyanolyan minőségű lemez vastagságok és munkavastagság alkalmazásával. A hegesztési pont kialakítása helyesnek tekinthető akkor, amikor egy próbaanyagot egy húzópróbának kitéve a hegesztési pont magját kihúzza a két lemez egyikéből.



FIGYELEM! A ponthegeztő egy védelmi vezetékkel van felszerelve, amely a hegesztő áramkört közvetlenül a földhöz csatlakoztatja.

Csak akkor végezze el a hegesztést, ha az összeillesztendő lemezek a földeléstől szigetelve vannak!

Ellenkező esetben azonnal szakítsa meg a hegesztő munkát és vizsgálta meg a berendezés és a ponthegeztő védelmi vezetékét a műszaki szakterületen tapasztalattal rendelkező vagy szakképzett személlyel.

7. KARBANTARTÁS



FIGYELEM! A KARBANTARTÁSI MŰVELETEK ELVÉGZÉSE ELŐTT GYŐZŐDJÖN MEG ARRÓL, HOGY A PONTHEGESZTŐ KI VAN KAPCSOLVA ÉS KI VAN CSATLAKOZTATVA AZ ELEKTROMOS ÉS PNEUMATIKUS (ha van) TÁPHÁLÓZATBÓL.

A pneumatikus hengeres működtetésű változatoknál a tartozékként nyújtott lakattal rögzíteni kell a kapcsolót az "O" pozícióban.

7.1 RENDES KARBANTARTÁS

A RENDES KARBANTARTÁS MŰVELETEIT A KEZELŐ ELVÉGEZHETI.

- az elektródahegy átmérőjének és profiljának kiigazítása/visszaállítás;
- az elektródák sorbarendezésének ellenőrzése;
- a rugóterhelés ellenőrzése (elektróda erő);
- a ponthegeztő és a fogó tápkábel épségének vizsgálata,
- az elektródák és a hegesztőkarok cseréje.

7.2 RENDKÍVÜLI KARBANTARTÁS

A RENDKÍVÜLI KARBANTARTÁS MŰVELETEIT KIZÁRÓLAG TAPASZTALT SZEMÉLY VAGY SZAKKÉPZETT ELEKTROMŰSZERÉSZ HAJTHATJA VÉGRE.



FIGYELEM! A PONTHEGESZTŐ PANELJEINEK ELMOZDÍTÁSA ÉS A BELSEJÉBE VALÓ BENYÚLÁS ELŐTT GYŐZŐDJÖN MEG ARRÓL, HOGY A PONTHEGESZTŐ KI VAN KAPCSOLVA ÉS AZ ELEKTROMOS ÉS A PNEUMATIKUS (ha van) TÁPHÁLÓZATBÓL KI VAN HÚZVA.

A feszültség alatt lévő ponthegeztőn belüli esetleges ellenőrzések súlyos áramütéssel járhatnak, melyet a feszültség alatt álló alkatrészekkel való közvetlen érintkezés eredményez és/vagy olyan sérüléseket válthatnak ki, amelyek a mozgásban lévő szervekkel való közvetlen érintkezés következményei.

Időszakonként, és mindenestre a használati és a környezeti feltételektől függő gyakorisággal ellenőrizni kell a ponthegeztő belsejét és eltávolítani a transzformátorra, tirisztoros modulokra, diódás modulokra, áramellátás kapcsolókére, stb. rakódott port

és fémrészecskéket száraz, sűrített levegősugár segítségével (max. 5 bar).

Kerülje a sűrített levegősugárnak az elektronikus kártyákra való irányítását; végezze el azok esetleges tisztítását egy nagyon puha kefével vagy megfelelő oldószerekkel.

Alkalomszerűen:

- vizsgálja meg, hogy nem látszanak-e sérülések a kábelezések szigeteléseiben vagy nincsenek-e kilazult – eloxidálódott csatlakozások.
 - kenje be a csuklókat és a csapokat.
 - vizsgálja meg, hogy a transzformátor szekunder tekercset a hegesztőkartartó öntvényekkel összekötő csavarok jól meg legyenek húzva és azokon ne mutakozzanak oxidáció vagy túlmelegedés jelei, ugyanez vonatkozik a hegesztőkart és elektródatartót rögzítő csavarokra is.
 - vizsgálja meg, hogy a transzformátor szekunder tekercs összekötő csavarok a kimeneti rudaknál / huzaloknál jól meg legyenek húzva és azokon ne mutakozzanak oxidáció vagy túlmelegedés jelei.
 - vizsgálja meg a gép földelő áramkörének a hegesztő áramkörrel való folytonosságát (elektródák).
 - vizsgálja meg, hogy a transzformátor szekunder tekercs összekötő csavarjai (ha vannak) jól meg legyenek húzva és azokon ne mutakozzanak oxidáció vagy túlmelegedés jelei.
 - A karbantartás vagy a javítás elvégzése után állítsa vissza a bekötéseket és a kábelezéseket az eredeti állapotukba, vigyázza arra, hogy azok ne érintkezzenek mozgásban lévő részekkel vagy olyan elemekkel, amelyek magas hőmérsékletre melegedhetnek fel. Bilincseljen át minden vezetékét az eredeti állapotuk szerint, vigyázza arra, hogy jól elkülönítse a nagyfeszültségű primer csatlakozásokat a kisfeszültségű szekunder csatlakozásoktól.
- Használja fel az összes eredeti alátétgyűrűt és csavart a burkolat visszazárásához.

7.3 MEGHIBÁSODÁSOK FELTÁRÁSA

NEM KIELÉGÍTŐ MŰKÖDÉS FELMERÜLÉSE ESETÉN ÉS SZÍSZTEMATIKUSABB VIZSGÁLATOK VÉGREHAJTÁSA ELŐTT VAGY MIELŐTT A MŰSZAKI SZERVÍZZOLGÁLATHOZ FORDULNA, ELLENŐRIZZE, HOGY:

- A hegesztőkar működtetésével ténylegesen be legyen nyomva a mikrokapcsoló, amely engedélyt ad az elektronikus kártyának a hegesztéshez.
- A termikus védelmek nem kapcsolak-e be.
- A szekunder hálózat részét képező elemek (hegesztőkartartó öntvények – hegesztőkarok - elektródatartók) ne legyenek nem kielégítőek meglazult csavarok vagy oxidációk miatt.
- A hegesztési paraméterek (elektródák ereje és átmérője, hegesztési idő) ne legyenek alkalmatlanok a folyamatban lévő megmunkáláshoz.

	pag.	pag.	
1. SIGURANȚA GENERALĂ PRIVIND SUDURA PRIN REZISTENȚĂ	35	6.2.2 Model 5.8kA:	37
2. INTRODUCERE ȘI DESCRIERE GENERALĂ	36	6.3 PROCEDURE	37
2.1 INTRODUCERE	36	7. ÎNTREȚINEREA	37
2.2 ACCESORII DE SERIE	36	7.1 ÎNTREȚINEREA ORDINARĂ	37
2.3 ACCESORII LA CERERE	36	7.2 ÎNTREȚINEREA SPECIALĂ	37
3. DATE TEHNICE	36	7.3 DEPISTARE DEFECȚIUNI	37
3.1 PLACĂ INDICATOARE (FIG. A)	36		
3.2 ALTE DATE TEHNICE	36		
4. DESCRIEREA APARATULUI DE SUDURĂ ÎN PUNCTE	36		
4.1 COMPONENTE PRINCIPALE ȘI REGLĂRI (FIG. B)	36		
4.2 PANOUL COMANDĂ (numai pentru modelele 6.9kA) (FIG. C)	36		
5. INSTALARE	36		
5.1 PREGĂTIRE	36		
5.2 MODALITĂȚI DE RIDICARE	36		
5.3 AMPLASARE	36		
5.4 CONECTARE LA REȚEAUA DE ALIMENTARE	36		
5.4.1 Recomandări	36		
5.4.2 Ștecherul și priza	36		
6. SUDURA (Punctare)	36		
6.1 OPERAȚII PRELIMINARE	36		
6.2 REGLAREA PARAMETRILOR	37		
6.2.1 Modele 6.9kA:	37		

APARATE PENTRU SUDURA PRIN REZISTENȚĂ PENTRU UZ INDUSTRIAL ȘI PROFESIONAL.

Notă: În textul următor se va folosi termenul „aparat de sudură în puncte”.

1. SIGURANȚA GENERALĂ PRIVIND SUDURA PRIN REZISTENȚĂ

Operatorul trebuie să fie suficient de instruit pentru folosirea în siguranță a aparatului de sudură în puncte și informat asupra riscurilor care pot proveni din procedeele de sudură prin rezistență, asupra măsurilor de protecție și asupra procedurilor de urgență.



- Realizați instalația electrică corespunzător normelor și legilor în vigoare referitor la prevenirea accidentelor de muncă.
- Aparatul de sudură în puncte trebuie să fie conectat numai la un sistem de alimentare cu conductor de nul legat la pământ.
- Asigurați-vă că priza de alimentare are o împământare corectă.
- Nu folosiți cabluri cu izolația deteriorată sau cu conexiunile slăbite.
- Folosiți aparatul de sudură în puncte la o temperatură a aerului ambiant cuprinsă între 5°C și 40°C și o umiditate relativă de 50% până la temperaturi de 40°C și de 90% pentru temperaturi de până la 20°C.
- Nu folosiți aparatul de sudură în puncte în spații umede, ude sau în ploaie.
- Conectarea cablurilor de sudură și orice intervenție de întreținere obișnuită la brațe și/sau la electrozi trebuie efectuate cu aparatul de sudură în puncte oprit și deconectat de la rețeaua de alimentare electrică și pneumatică (dacă este prezentă).

Aceeași procedură trebuie respectată la branșarea la rețeaua hidrică sau la o unitate de răcire cu circuit închis (aparate de sudură în puncte răcite cu apă) și la toate intervențiile de reparație (întreținere specială).



- Este interzisă utilizarea aparatului în zonele clasificate cu risc de explozie din cauza prezenței gazelor, prafurilor sau a ceții.
- Nu sudați containere, recipiente sau conducte care conțin sau care au conținut produse inflamabile lichide sau gazoase.
- Evitați să lucrați cu materiale curățate cu solvenți clorurați sau în apropierea acestor substanțe.
- Nu sudați recipiente aflate sub presiune.
- Îndepărtați din zona de lucru toate substanțele inflamabile (de ex. lemn, hârtie, cărpe etc.).
- Lăsați să se răcească piesa de-abia sudată! Nu așezați piesa în imediata apropiere a substanțelor inflamabile.
- Asigurați o aerisire adecvată sau mijloace pentru aspirarea fumurilor de sudură în apropierea electrozilor; este necesară o abordare sistematică pentru evaluarea limitelor de expunere la fumul de sudură în funcție de compoziția și de concentrația acestora, precum și de durata expunerii.



- Protejați întotdeauna ochii cu ochelari speciali de protecție.
- Purtați mănuși și haine de protecție corespunzătoare pentru lucrările de sudură prin rezistență.
- Zgomot: Dacă, din cauza operațiilor de sudură deosebit de intensive, se constată un nivel de expunere personală zilnică (LEP,d) egală sau mai mare de 85db(A), este obligatorie folosirea unor echipamente adecvate de protecție individuală.



- Trezirea curentului de sudură în puncte provoacă apariția unor câmpuri electromagnetice (EMF) localizate în jurul circuitului de sudură. Câmpurile electromagnetice pot avea interferențe cu unele aparate medicale (ex. Pace-maker, respiratoare, proteze metalice etc.). Trebuie luate măsuri de protecție adecvate față de persoanele purtătoare ale acestor aparate. De exemplu, trebuie interzis accesul în zona de folosire a aparatului de sudură în puncte. Acest aparat de sudură în puncte corespunde standardelor tehnice de produs pentru folosirea exclusivă în medii industriale în scop profesional. Nu este asigurată corespondența cu limitele de bază referitoare la expunerea umană la

câmpurile electromagnetice în mediul casnic.

Operatorul trebuie să folosească următoarele proceduri pentru a reduce expunerea la câmpurile electromagnetice:

- Să fixeze împreună, cât mai aproape posibil, cele două cabluri de punctare (dacă sunt prezente).
- Să mențină capul și trunchiul corpului cât mai departe posibil de circuitul de punctare.
- Să nu înfășoare niciodată cablurile de punctare (dacă sunt prezente) în jurul corpului.
- Să nu puncteze având corpul în mijlocul circuitului de punctare. Să țină ambele cabluri pe aceeași parte a corpului.
- Să conecteze cablul de întoarcere al curentului de punctare (dacă este prezent) la piesa de sudat, cât mai aproape posibil de îmbinarea ce se execută.
- Să nu puncteze aproape, așezați sau sprijiniți de aparatul de sudură în puncte (distanța minimă: 50cm).
- Să nu lase obiecte feromagnetice în apropierea circuitului de punctare.
- Distanța minimă:
 - d= 3cm, f= 50cm (Fig. G);
 - d= 3cm, f= 50cm (Fig. H);
 - d= 30cm (Fig. I);
 - d= 20cm (Fig. L) Studer.



- Aparat de clasă A:

Acest aparat de sudură în puncte corespunde cerințelor standardului tehnic de produs pentru folosirea exclusivă în medii industriale și în scop profesional. Nu este asigurată corespondența cu compatibilitatea electromagnetică în clădirile de locuințe și în cele conectate direct la o rețea de alimentare de joasă tensiune care alimentează clădirile pentru uzul casnic.

UTILIZAREA PREVĂZUTĂ

Instalația trebuie să fie utilizată pentru sudura în puncte a unuia sau a mai multor table de oțel cu conținut scăzut de carbon, cu formă și dimensiuni variabile în funcție de lucrarea ce urmează a fi efectuată.



RISURILE REZIDUALE RISC DE STRIVIRE A MEMBRILOR SUPERIOARE NU PUNEȚI MĂINILE ÎN APROPIEREA PIESELOR ÎN MIȘCARE!

Modalitatea de funcționare a aparatului de sudură în puncte și caracterul variabil al formei și dimensiunilor piesei de prelucrat împiedică realizarea unei protecții integrate împotriva pericolului de strivire a membrilor superioare: degete, mână, antebraț.

Riscul trebuie redus prin adoptarea unor măsuri de prevenire adecvate:

- Operatorul trebuie să fie experimentat sau instruit cu privire la procedeul de sudură prin rezistență cu acest tip de aparate.
- Trebuie efectuată o evaluare a riscului pentru orice tip de lucrare ce trebuie efectuată; este necesară dispunerea unor echipamente și armături pentru susținerea și ghidarea piesei prelucrate astfel încât să se îndepărteze mâinile de zona periculoasă.
- Când utilizați un aparat de sudură în puncte portabil: apucați bine cleștele cu ambele mâini, ținându-le pe mânerul corespunzător; țineți tot timpul mâinile departe de electrozi.
- Ori de câte ori conformația piesei o permite, reglați distanța dintre electrozi astfel încât să nu se depășească 6 mm.
- Este interzisă folosirea aparatului de sudură în puncte de către mai multe persoane în același timp.
- Accesul persoanelor neautorizate în zona de lucru trebuie să fie interzis.
- Nu lăsați aparatul de sudură în puncte nesupravegheat: în acest caz este obligatoriu să îl deconectați de la rețeaua de alimentare; la aparatele de sudură în puncte acționate cu cilindru pneumatic duceți întrerupătorul general pe "O" și blocați-l cu lacățul din dotare; cheia trebuie scoasă și păstrată de către responsabil.
- Folosiți numai electrozi prevăzuți pentru mașină (a se vedea lista de piese de schimb), fără a modifica forma acestora.

RISUL DE ARSURI

Anumite părți ale aparatului de sudură în puncte (electrozi - brațe și zone adiacente) pot atinge temperaturi mai mari de 65°C: este necesar să purtați îmbrăcăminte de protecție corespunzătoare.

Lăsați să se răcească piesa de-abia sudată înainte de a o atinge!

- **RISCU DE RĂSTURNARE ȘI CĂDERE**
- Așezați aparatul de sudură în puncte pe o suprafață orizontală cu capacitate corespunzătoare masei; legați aparatul de sudură în puncte de planul de sprijin (când este prevăzut în secțiunea "INSTALARE" din acest manual). În caz contrar, cu podele înclinate sau denivelate, cu planuri de sprijin mobile, există pericolul de răsturnare.
- Se interzice ridicarea aparatului de sudură în puncte, cu excepția cazului prevăzut în secțiunea "INSTALARE" din acest manual.
- În cazul folosirii aparatelor pe roți: deconectați aparatul de sudură în puncte de la alimentarea electrică și pneumatică (dacă este prezentă) înainte de a muta unitatea într-o altă zonă de lucru. Fiți atenți la obstacole și la asperitățile terenului (de exemplu, cabluri și conducte).

- **UTILIZAREA NECORESPUNZĂTOARE**
Folosirea aparatului de sudură în puncte pentru orice lucrare diferită de cea prevăzută este periculoasă (a se vedea UTILIZAREA PREVĂZUTĂ).



PROTECȚII ȘI APĂRĂTORI

Protecțiile și părțile mobile ale învelișului aparatului de sudură prin puncte trebuie să fie pe poziția lor, înainte de conectarea la rețeaua de alimentare.

ATENȚIE! Orice intervenție manuală asupra unor părți mobile accesibile ale aparatului de sudură în puncte, de exemplu:

- Înlocuirea sau întreținerea electrozilor
 - Reglarea poziției brațelor sau electrozilor
- TREBUIE EFECTUATĂ CU APARATUL DE SUDURĂ ÎN PUNCTE OPRIT ȘI DECONECTAT DE LA REȚEAUA DE ALIMENTARE ELECTRICĂ ȘI PNEUMATICĂ (dacă este prezentă).**
- ÎNȚERUPĂTOR GENERAL BLOCAT PE "O" CU LACĂTUL ÎNCHIS ȘI CHEIA SCOASĂ la modelele acționate cu CILINDRU PNEUMATIC).**

DEPOZITAREA

- Amplasați aparatul și accesoriile sale (cu sau fără ambalaj) în spații închise.
 - Umiditatea relativă a aerului nu trebuie să depășească 80%.
 - Temperatura mediului înconjurător trebuie să fie cuprinsă între -15°C și 45°C.
- În cazul aparatului echipat cu unitate de răcire cu apă și la o temperatură a mediului înconjurător sub 0°C: adăugați lichidul antigel prevăzut sau goliți complet circuitul hidraulic și rezervorul de apă.
- Utilizați întotdeauna măsuri adecvate pentru a proteja aparatul de umiditate, murdărie și coroziune.

2. INTRODUCERE ȘI DESCRIERE GENERALĂ

2.1 INTRODUCERE

Aparat de sudură mobil pentru sudură prin rezistență.

Seria este constituită din 3 modele:

- **5.8kA:**
Aparat mobil de sudură în puncte cu temporizator electronic. Permite o execuție precisă a punctelor de sudură, datorită controlului electronic al timpului de punctare și reglarea forței electrozilor. Capacitate de punctare pe tablă de oțel cu conținut scăzut de carbon (brațe standard) până la grosimea de 1+1 mm.
- **6.9kA (230V):**
Aparat mobil de sudură în puncte cu control digital cu microprocesor. Caracteristicile principale, administrate de la panoul de control sunt următoarele:
 - Selectarea grosimii tablelor ce urmează a fi punctate.
 - Corectarea timpului de punctare.
 - Posibilitatea introducerii pulsării curentului de punctare.
 - Reglarea forței de punctare.
 - Capacitate de punctare pe tablă de oțel cu conținut scăzut de carbon (brațe standard) până la grosimea de 2+2 mm.
- **6.9kA (400V):**
Aparat mobil de sudură în puncte cu control digital cu microprocesor. Aceleași caracteristici ca pentru modelul 6.9kA (230V), dar funcționează cu tensiune de alimentare de 400V(380V-415V).

2.2 ACCESORII DE SERIE

Dotarea de bază a aparatului cuprinde brațe de 120 mm și electrozi standard.

2.3 ACCESORII LA CERERE

- Perechi de brațe și electrozi cu lungime și/sau formă diferită, și în kit cuprinzând mai multe perechi.
- Cărucior pentru brațe: permite așezarea aparatului și a accesoriilor.

3. DATE TEHNICE

3.1 PLACĂ INDICATOARE (FIG. A)

Principalele date referitoare la utilizarea și la randamentul aparatului de sudură în puncte sunt menționate pe placa indicatoare a acestuia având următoarele semnificații:

- 1- Numărul fazelor și frecvența liniei de alimentare.
- 2- Tensiune de alimentare.
- 3- Puterea nominală a rețelei cu raport de intermitență de 50%.
- 4- Puterea rețelei de alimentare în regim permanent (100%).
- 5- Tensiune maximă în gol la electrozi.
- 6- Curent maxim cu electrozi în scurt-circuit.
- 7- Forță maximă exercitată de electrozi.
- 8- Curent secundar în regim permanent (100%).

Notă: exemplul de pe placa indicatoare prezentat este orientativ în ceea ce privește semnificația simbolurilor și a cifrelor; valorile exacte ale datelor tehnice ale aparatului de sudură în puncte achiziționat trebuie să fie indicate direct pe placa indicatoare a aparatului respectiv.

3.2 ALTE DATE TEHNICE

Caracteristici generale: TAB. 1.

Masa aparatului de sudură în puncte: TAB. 7.

4. DESCRIEREA APARATULUI DE SUDURĂ ÎN PUNCTE

4.1 COMPONENTE PRINCIPALE ȘI REGLĂRI (FIG.B)

- 1- Șurub de reglare a forței electrozilor.
- 2- Mâner ce poate fi poziționat la dreapta/stânga.
- 3- Orificiu pentru montarea eventualului șurub cu inel.
- 4- Braț pentru sudură mobil.
- 5- Braț pentru sudură fix.
- 6- Cablu de alimentare.
- 7- Placă caracteristici.
- 8- Microswitch.
- 9- Reglare timp de punctare (numai pentru modelul 5.8kA (FIG. B1) ; pentru modelele 6.9kA a se vedea 4.2: PANOU COMANDĂ.
- 10- Pârghie de punctare.

4.2 PANOU COMANDĂ (numai pentru modelele 6.9kA) (FIG. C)

- 1- **Tastă pentru corectarea timpului de punctare:**
reglează timpul de punctare față de condiția de default din fabrică.
- 2- **Tastă pentru selectarea grosimii tablei:**
selectează grosimea tablei care urmează a fi punctată.
- 3- **Buton de selectare a modalității de punctare:**



curentul de sudură este pulsant.

Efectuând această selectare, se îmbunătățește capacitatea de punctare pe table cu o limită de curgere ridicată sau pe table cu pelicule de protecție deosebite. Perioada de pulsare este automată, nu necesită reglare.



punctare normală.

- 4- **LEDURI de semnalizare a intervenției protecției termice.**

Cele două leduri semnalizează alternativ, celelalte leduri sunt stinse, semnalizând blocarea aparatului din cauza supra-încălzirii; restabilirea este automată la revenirea temperaturii la limitele prevăzute.

5. INSTALARE



ATENȚIE! EFECTUAȚI TOATE OPERAȚIILE DE INSTALARE ȘI CONECTARE ELECTRICĂ ȘI PNEUMATICĂ NUMAI CÂND APARATUL DE SUDURĂ ÎN PUNCTE ESTE OPRIT ȘI DECONECTAT DE LA REȚEAUA ALIMENTARE.

LEGĂTURILE ELECTRICE ȘI PNEUMATICE TREBUIE SĂ FIE EFECTUATE NUMAI DE CĂTRE PERSONAL EXPERT SAU CALIFICAT.

5.1 PREGĂTIRE

Scoateți aparatul din ambalajul său original și montați piesele aferente prezente în ambalaj.

5.2 MODALITĂȚI DE RIDICARE

ATENȚIE: Nici un aparat de sudură în puncte descris în acest manual nu este prevăzut cu dispozitive de ridicare; în cazul în care doriți aplicarea unui șurub cu inel pentru suspendarea aparatului, utilizând orificiul (FIG. F (2)), fiți atenți ca piciorul filetat să nu intre mai mult de 8 mm.

5.3 AMPLASARE


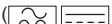
Rezervați zonei de instalare o suprafață suficient de amplă și fără obstacole pentru a garanta accesul la panoul de comandă și la zona de lucru (electrozi) în deplină siguranță.

Asigurați-vă că nu există obstacole în fața deschizăturilor pentru intrarea și ieșirea aerului de răcire; în același timp asigurați-vă că nu se aspiră prafuri conductoare, aburi corozivi, umiditate, etc..

Poziționați aparatul pe o suprafață plană din material omogen și compact menită să suporte greutatea acestuia (a se vedea "datele tehnice") pentru a evita pericolul de răsturnare sau deplasările periculoase.

5.4 CONECTARE LA REȚEAUA DE ALIMENTARE

5.4.1 Recomandări

- Înainte de efectuarea oricărei legături electrice, controlați ca tensiunea și frecvența rețelei disponibile la locul instalării să corespundă cu datele de pe placa indicatoare a aparatului de sudură în puncte.
- Aparatul de sudură în puncte trebuie să fie conectat numai la un sistem de alimentare cu conductor de nul legat la pământ.
- Pentru a garanta protecția față de contactul indirect folosiți întrerupătoare diferențiale de tipul:
 - Tipul A () pentru aparate monofazate;
 - Tipul B () pentru aparate trifazate.

- Pentru a fi în conformitate cu cerințele normei EN 61000-3-11 (Flicker), se recomandă conectarea aparatului de sudură la punctele de interfață ale rețelei de alimentare care prezintă o impedanță mai mică de $Z_{max} = 0.179 \text{ ohm}$.

- Aparatul de sudură în puncte nu corespunde cerințelor normei IEC/EN 61000-3-12. Dacă acesta este conectat la o rețea de alimentare publică, instalatorul sau utilizatorul trebuie să verifice dacă aparatul de sudură în puncte poate fi conectat (dacă este necesar, consultați societatea de distribuție).

5.4.2 Ștecherul și priză

Conectați la cablul de alimentare un ștecher standard (3P+T : sunt utilizați numai 2 pini pentru conectarea 400V INTERFAZICĂ; 2P+T: conectare 230V MONOFAZATĂ) cu capacitate corespunzătoare și predispuși o priză de rețea protejată cu siguranțe fuzibile sau cu un întrerupător automat magnetotermic; borna de împământare trebuie conectat la conductorul de împământare (galben-verde) al liniei de alimentare.

Modalitățile de conectare și numărul de poli ai ștecherului utilizat, în funcție de sistemul de distribuție și de tensiunea de alimentare a aparatului dvs., trebuie să corespundă prevederilor din tabele (TAB. 2; 3; 4; 5).

Capacitatea ștecherului și caracteristica intervenției siguranțelor fuzibile și a întrerupătorului magnetotermic sunt menționate tabelele TAB. 1 și TAB. 7.

În cazul în care se instalează mai multe echipamente de sudură în puncte, distribuții alimentare ciclic între faze astfel încât să se realizeze o sarcină mai echilibrată; exemplu:

Aparate 230V:

Aparat 1: alimentare L1-N.
Aparat 2: alimentare L2-N.
Aparat 3: alimentare L3-N.
Etc.

Aparate 400V:

Aparat 1: alimentare L1-L2.
Aparat 2: alimentare L2-L3.
Aparat 3: alimentare L3-L1.
Etc.



ATENȚIE! Nerespectarea regulilor mai sus menționate poate duce la nefuncționarea sistemului de siguranță prevăzut de fabricant (clasa I) cu riscuri grave pentru persoane (de ex. electrocutare) sau pentru obiecte (de ex. incendiu).

6. SUDURĂ (Punctare)

6.1 OPERAȚII PRELIMINARE

Înainte de efectuarea oricărei operații de punctare, sunt necesare o serie de verificări și controale, de efectuat cu aparatul debransat de la rețea.

- 1- Controlați că branșarea electrică este efectuată corect potrivit instrucțiunilor precedente.
 - 2- Alinierea și forța electrozilor:
 - blocați cu grijă electrozilor în poziția cea mai potrivită pentru lucrarea ce se efectuează,
 - slăbiți șurubul de fixare a electrodului superior pentru a-i permite intrarea în orificiul său de pe braț,
 - așezați între electrozi o foaie de tablă cu grosimea echivalentă cu grosimea tablelor de punctat,
 - **FIG. D** închideți pârghia 2 până când brațele sunt paralele și vârful electrozilor coincid; înșurubați șurubul 3 (d.M6) din dotare în orificiul 1, pentru a bloca pârghia într-o poziție potrivită pentru reglarea forței,
 - blocați în poziția corectă electrodul superior, strângând bine șurubul,
 - reglați forța exercitată de electrozi în faza de punctare FIG.E, acționând asupra șurubului de reglare (1) utilizând cheia din dotare ; valoarea stabilită, în funcție de poziția indicelui pe scara gradată, este menționată în FIG. F . TAB. 6 menționează valoarea forței obținute cu diferite lungimi ale brațelor.
- Rotiți în sensul acelor de ceasornic (spre dreapta) pentru a crește proporțional forța de apăsare în raport de creșterea grosimii tablei, efectuând totuși reglarea astfel încât închiderea cleștelui și acționarea microîntrerupătorului să se facă exercitând o forță limitată.

6.2 REGLAREA PARAMETRILOR

6.2.1 Modele 6.9kA:

- selectați grosimea tablei ce urmează a fi punctată folosind tasta (2 - FIG. C) situată pe panoul de comandă al aparatului;
 - selectați tipul de punctare (continuă sau pulsată) folosind tasta (3 - FIG. C).
- Dacă este necesar, se poate corecta în plus sau în minus timpul de punctare prestabilit folosind tasta (1 - FIG. C).

6.2.2 Model 5.8kA:

Reglați timpul de punctare cu ajutorul potențiometrului (9 - FIG.B1) situat pe spatele aparatului; folosiți cele mai scăzute valori posibile, compatibile cu efectuarea punctului (a se vedea: 6.3 PROCEDURE).

6.3 PROCEDURE

După ce ați alimentat aparatul de sudură, pentru efectuarea punctării respectați următoarele instrucțiuni:

- așezați electrodul inferior pe tabla de punctat;
- acționați pârghia cleștelui la sfârșit de cursă și apoi până la apăsarea microîntrerupătorului (8-FIG.B) obținând:
 - a) închiderea tablelor între electrozi cu forța pre-reglată;
 - b) trecerea curentului de sudură pe durata stabilită.
- eliberați pârghia cleștelui după câteva momente. Această întârziere (menținere) conferă caracteristici mecanice mai bune punctului.

În lipsa unei experiențe specifice, este bine să efectuați anumite probe de punctare asupra unor table de aceeași calitate și grosime cu cele care urmează a fi sudate.

Se consideră corectă execuția unui punct de sudură atunci când, încercând să desprindem tablele, prin tracțiune, pe una din acestea va rămâne punctul de sudură (pe o tablă rămâne gaura, iar pe cealaltă rămâne așa-numitul "buton de sudură").



ATENȚIE! Aparatul de sudură în puncte este dotat cu un conductor de protecție care conectează circuitul de sudură direct la pământ.

Efectuați sudura numai dacă tablele de unit sunt izolate de pământ!

În caz contrar, sudura trebuie întreruptă imediat, iar conductorul de protecție al instalației și al aparatului de sudură în puncte trebuie verificat de către o persoană cu experiență sau calificată în domeniul tehnic.

7. ÎNTREȚINEREA



ATENȚIE! ÎNAINTE DE EFECTUAREA OPERAȚIILOR DE ÎNTREȚINERE, ASIGURAȚI-VĂ CĂ APARATUL DE SUDURĂ ÎN PUNCTE ESTE OPRIT ȘI DECONECTAT DE LA REȚEAUA DE ALIMENTARE ELECTRICĂ ȘI PNEUMATICĂ (dacă există).

La versiunile acționate cu cilindru pneumatic trebuie blocat întrerupătorul în poziția „O” cu lacătul din dotare.

7.1 ÎNTREȚINEREA ORDINARĂ

OPERAȚIUNILE DE ÎNTREȚINERE OBȘNUIȚĂ POT FI EFECTUATE DE CĂTRE OPERATOR.

- ada/restabilirea diametrului și a profilului vârfului electrodului;
- controlul alinierii electrozilor;
- controlul tensionării arcului (forță electrozi);
- verificarea integrității cablului de alimentare a aparatului de sudură în puncte și a cleștelui.
- înlocuirea electrozilor și a brațelor;

7.2 ÎNTREȚINEREA SPECIALĂ

OPERAȚIUNILE DE ÎNTREȚINERE SPECIALĂ TREBUIE SĂ FIE EFECTUATE NUMAI DE PERSONAL CALIFICAT SAU EXPERIMENTAT ÎN DOMENIUL ELECTRIC ȘI MECANIC.



ATENȚIE! ÎNAINTE DE A ÎNLĂȚURA PLĂCILE CARCASEI APARATULUI DE SUDURĂ ÎN PUNCTE PENTRU AVEA ACCES LA INTERIORUL ACESTUIA, ASIGURAȚI-VĂ CĂ APARATUL ESTE OPRIT ȘI DECONECTAT DE LA REȚEAUA DE ALIMENTARE ELECTRICĂ ȘI PNEUMATICĂ (dacă este prezentă).

Eventualele verificări efectuate sub tensiune în interiorul aparatului de sudură în puncte pot cauza electrocutări grave datorate contactului direct cu părțile sub tensiune și/sau leziuni datorate contactului direct cu organele în mișcare.

Verificați interiorul aparatului de sudură în puncte periodic sau frecvent, în funcție de utilizare și de condițiile ambientale și înlăturați praful și particulele metalice depozitate pe transformator, modul tiristoare, modul diode, cutie cu borne alimentare etc. prin insuflarea cu aer comprimat uscat (max 5bar).

Evitați îndreptarea jetului de aer comprimat pe plăcile electronice; curățați-le pe acestea din urmă cu o perie foarte moale sau cu solvenți corespunzători.

Cu această ocazie:

- verificați ca legăturile să nu fie slăbite - oxidate, iar cablurile să nu prezinte daune la nivelul izolației.
- lubrificați articulațiile și pivoții.
- verificați ca șuruburile de conectare a circuitului secundar al transformatorului la suporturile port-brățe să fie bine strânse și să nu existe semne de oxidare sau supra-încălzire; același lucru este valabil pentru șuruburile de blocare brațe și port-

electrozi.

- verificați ca șuruburile de conectare a circuitului secundar al transformatorului la barele / tresele de ieșire să fie bine strânse și să nu existe semne de oxidare sau de supra-încălzire.
 - verificați continuitatea circuitului de împământare a mașinii cu circuitul de sudură (electrozi).
 - verificați ca șuruburile de conectare a circuitului secundar al transformatorului (dacă sunt prezente) să fie bine strânse și să nu existe semne de oxidare sau de supra-încălzire.
 - După efectuarea întreținerii sau reparației, restabiliți conexiunile și cablajele cum erau inițial, având grijă ca acestea să nu intre în contact cu piesele în mișcare sau cu piesele care pot atinge temperaturi ridicate. Înfașurați toți conductorii cum erau inițial, având grijă să țineți separate între ele conexiunile circuitului primar de înaltă tensiune de cele secundare de joasă tensiune.
- Folosiți toate șabbele și șuruburile originale pentru închiderea tâmplăriei.

7.3 DEPISTARE DEFECTIUNI

ÎN CAZUL ÎN CARE FUNCȚIONAREA APARATULUI NU ESTE CORESPUNZĂTOARE ȘI ÎNAINTE EFECTUĂRII ORICĂRUI CONTROL MAI SISTEMATIC SAU ÎNAINTE DE A CONTACTA UN CENTRU DE ASISTENȚĂ AUTORIZAT, CONTROLAȚI CĂ:

- Cu pârghia sudură acționată se apasă efectiv microîntrerupătorul, validând fișa electronică pentru sudare.
- Nu au intervenit protecțiile termice.
- Elementele care fac parte din circuitul secundar (suporturi port-brățe - brațe - port-electrozi) nu sunt inefficiente din cauza șuruburilor slăbite sau a oxidărilor.
- Parametrii de sudură (forța și diametrul electrozilor, timpul de sudură) sunt corespunzătoare lucrării efectuate.

1. ALLMÄN SÄKERHET FÖR MOTSTÄNDSSVETSNING.....	sid. 38
2. INLEDNING OCH ALLMÄN BESKRIVNING.....	39
2.1 INLEDNING.....	39
2.2 STANDARDTILLBEHÖR.....	39
2.3 TILLBEHÖR PÅ BESTÄLLNING.....	39
3. TEKNISKA DATA.....	39
3.1 INFORMATIONSSKYLT (FIG. A).....	39
3.2 ÖVRIGA TEKNISKA DATA.....	39
4. BESKRIVNING AV HÄFTSVETSEN.....	39
4.1 HUVUDSAKLIGA KOMPONENTER OCH INSTÄLLNINGAR (FIG. B).....	39
4.2 KONTROLLTAVLA (enbart för modellerna 6.9kA) (FIG. C).....	39
5. INSTALLATION.....	39
5.1 FÖRBEREDELSE.....	39
5.2 TILLVÄGAGÅNGSSÄTT FÖR LYFT.....	39
5.3 PLACERING.....	39
5.4 ANSLUTNING TILL ELNÄTET.....	39
5.4.1 Varningar.....	39
5.4.2 Kontakt och uttag.....	39
6. SVETSNING (Häftsvetsning).....	39
6.1 FÖRBEREDELSE.....	39
6.2 INSTÄLLNING AV PARAMETRAR.....	40
6.2.1 6.9kA-modeller.....	40
6.2.2 5.8kA-modell.....	40

6.3 TILLVÄGAGÅNGSSÄTT.....	sid. 40
7. UNDERHÅLL.....	40
7.1 LÖPANDE UNDERHÅLL.....	40
7.2 EXTRAORDINÄRT UNDERHÅLL.....	40
7.3 FELSÖKNING.....	40

APPARATER FÖR MOTSTÄNDSSVETSNING FÖR INDUSTRIELLT OCH PROFESSIONELLT BRUK.

Obs: i texten nedan används termen "punktsvets".

1. ALLMÄN SÄKERHET FÖR MOTSTÄNDSSVETSNING

Operatören måste ha tillräckliga kunskaper för en säker användning av punktsvetsen och känna till riskerna i samband med motståndssvetsningen, motsvarande skyddsåtgärder och nödstoppsprocedurer.



- Utför elinstallationen enligt de föreskrivna normerna och lagarna om olycksfall på arbetsplatsen.
 - Punktsvetsen får endast anslutas till ett matningssystem med neutral ledning ansluten till jord.
 - Försäkra dig om att matningsuttaget är korrekt anslutet till jord.
 - Använd inte kablar med en försämrad isolering eller en anslutning som har lossnat.
 - Använd punktsvetsen vid en lufttemperatur mellan 5°C och 40°C samt en relativ luftfuktighet på 50% upp till en temperatur på 40°C och på 90% upp till en temperatur på 20°C.
 - Använd inte punktsvetsen i fuktiga eller blöta miljöer. Använd den inte i regn.
 - Anslutningen av svetskablar och eventuella underhållsåtgärder på armar och/eller elektroder måste utföras med avstängd punktsvets som har fränkopplats från det elektriska och pneumatiska matningsnätet (om närvarande).
- Samma procedur måste respekteras för anslutningen till vattennätet och till en kylvätska med stängd krets (punktsvetsar som avkyls med vatten) och hur som helst vid reparationsåtgärder (extraordinärt underhåll).



- Det är förbjudet att använda apparaten i miljöer med områden som är klassificerade som explosionsrisk på grund av närvaro av gas, damm eller dimma.
- Svetsa inte på behållare eller ledningar som innehåller eller har innehållit flytande eller gasformiga brandfarliga produkter.
- Undvik att använda den på rena material med klorlösningsmedel eller i närheten av sådana substanser.
- Svetsa inte på tryckbehållare.
- Avlägsna alla brandfarliga ämnen (t ex. trä, papper, trator osv.) från arbetsområdet.
- Låt nysvetsade delar kylas av! Placera inte delen i närheten av brandfarliga ämnen.
- Försäkra dig om att luftombytet är lämpligt eller använd lämpliga medel för att avlägsna svetsrök i närheten av elektroden. Det är nödvändigt att använda sig av en systematisk metod för att utvärdera gränserna för exponering till svetsrök enligt sammansättning, koncentration och exponeringens tidslängd



- Skydda alltid ögonen med särskilda skyddsglasögon.
- Ha på dig handskar och skyddskläder som lämpar sig för bearbetning med motståndssvetsning.
- Buller: om en daglig bullernivå (LEP,d) motsvarande eller överstigande 85dB(A) uppstår vid svetsningsarbeten som är särskilt intensiva, är det obligatoriskt att använda särskild individuell skyddsutrustning.



- Övergången av punktsvetsströmmen leder till att elektromagnetiska fält (EMF) uppstår kring punktsvetsningskretsen.

De elektromagnetiska fälten kan störa vissa medicinska apparater (t ex. pacemaker, andningsapparater, metallproteser osv.). Man måste vidta lämpliga skyddsåtgärder när det gäller personer som bär sådana apparater. Till exempel förbjuda tillgång till området där punktsvetsen används.

Den här punktsvetsen uppfyller de tekniska produktstandarderna för användning endast i industrimiljö för professionellt bruk. Vi garanterar ingen

överensstämmelse med gränsvärdena för människans exponering och kontakt med de elektromagnetiska fälten i hemmiljö.

Operatören måste följa dessa procedurer för att minska exponeringen i elektromagnetiska fält:

- Fäst enheten så nära de två punktsvetskablar som möjligt (om installerade).
- Håll huvudet och bälten så långt borta som möjligt från punktsvetskretsen.
- Linda aldrig punktsvetskablar (om sådana används) runt kroppen.
- Punktsvetsa aldrig om kroppen befinner sig i punktsvetskretsen. Håll båda kablarna på samma sida om kroppen.
- Anslut punktsvetsens returkabel (om en sådan används) vid stycket som ska punktsvetsas så nära fogen som utförs som möjligt.
- Punktsvetsa aldrig nära, sittande på eller stödd mot punktsvetsen (minsta avstånd: 50 cm).
- Lämna inga magnetiska järnföremål i närheten av punktsvetsen.
- Minsta avstånd:
 - d = 3cm, f = 50cm (Fig. G);
 - d = 3cm, f = 50cm (Fig. H);
 - d = 30cm (Fig. I);
 - d = 20cm (Fig. L) Studer.



- Apparat av klass A:

Den här punktsvetsen uppfyller kraven för den tekniska produktstandarderna för användning endast i en industriell miljö för professionellt syfte. Överensstämmelse med den elektromagnetiska kompatibiliteten i bostadshus och hus som är direkt anslutna till ett lågspänningsnät som matar bostadshus garanteras inte.

FÖRUTSEDD ANVÄNDNING

Systemet ska användas till punktsvetsning av en eller flera stålplåtar med ett lågt kolinnehåll, av olika former och mått enligt bearbetningen som ska utföras.



ÖVRIGA RISKER

RISK FÖR KLÄMNING AV ARMARNA

SÄTT INTE HÄNDERNA NÄRA DE RÖRLIGA DELARNA!

Punktsvetsens funktionsläge och variation när det gäller form och mått på delen som ska bearbetas förhindrar ett fullständigt skydd mot faran för klämning av armar, fingrar, händer, underarmar.

Risken måste reduceras genom att följa nedanstående försiktighetsåtgärder:

- Operatören måste ha erfarenhet och vara kvalificerad för arbeten med motståndssvetsning med den här typen apparater.
- Man måste bedöma risken för varje typ av arbete som ska utföras och se till att man har tillgång till utrustning och enheter som stödjer delen som bearbetas för att händerna ska hållas borta från det farliga området vid elektrodena.
- Om du använder en bärbar punktsvets: håll klämman stadigt med båda händerna på handtagen. Håll händerna på avstånd från elektrodena.
- I alla fall där delens utformning gör det möjligt att reglera elektrodena avstånd så att man inte överskrider en bana på 6 mm.
- Förhindra att flera personer arbetar samtidigt med samma punktsvets.
- Arbetsområdet måste blockeras för obehöriga.
- Lämna inte punktsvetsen utan tillsyn. I detta fall är det obligatoriskt att koppla ifrån den från nätet. Punktsvetsar med aktivering med en pneumatisk cylinder har en huvudströmbrytare som ska ställs på "O" och läsas med det medföljande låset. Nyckeln ska tas ut och måste förvaras av den ansvarige.
- Använd endast elektrodena som är förutsedda för maskinen (se reservdelslistan) utan att ändra formen på dem.

RISK FÖR BRÄNNSKADOR

Vissa delar av punktsvetsen (elektroder, armar och närliggande områden) kan nå temperaturer över 65°C: det är nödvändigt att bära lämpliga skyddskläder. Låt den nysvetsade delen kylas av innan du vidrör den!

RISK FÖR VÄLTNING OCH FALL

- Placera punktsvetsen på en horisontell yta som lämpar sig till dess vikt. Fäst punktsvetsen vid stödplanet (enligt anvisningarna i kapitlet "INSTALLATION" i den här bruksanvisningen). Ett lutande eller ojämnt golv eller stödplan kan göra att risk för vältning uppstår.
- Det är förbjudet att lyfta punktsvetsen, utom i fall som uttryckligen anges i kapitlet "INSTALLATION" i den här bruksanvisningen.

- Om du använder maskiner med vagn: Koppla ifrån punktsvetsen från den elektriska och pneumatiska tillförseln (om sådan finns) innan du flyttar enheten till en annan arbetszon. Var uppmärksam på hinder och ojämnheter i underlaget (t. ex. kablar och ledningar).

FELAKTIG ANVÄNDNING

Det är farligt att använda punktsvetsen för arbeten som skiljer sig från den förutsedda användningen (se FÖRUTSEDD ANVÄNDNING).



SKYDD

Skydden och de rörliga delarna på punktsvetsens hölje måste vara i rätt läge innan man ansluter enheten till strömförsörjningsnätet.

OBS! Alla manuella åtgärder på de rörliga delarna som är tillgängliga för punktsvetsen, t. ex.:

- Byte eller underhåll av elektroderna
 - Reglering av armarnas eller elektrodernas position
- SKA UTFÖRAS MED AVSTÄNGD PUNKTSVETS SOM HAR KOPPLATS IFRÅN DET ELEKTRISKA OCH PNEUMATISKA FÖRSÖRJNINGSNÄTET (om installerat). HUVUDSTRÖMBRYTAREN ÄR LÅST I LÅGET "O" MED STÄNGT LÅS OCH UTTAGEN NYCKEL i modeller med aktivering med PNEUMATISK CYLINDER.**

LAGRING

- Placera maskinen och dess tillbehör (med eller utan emballage) i en stängd lokal.
 - Den relativa luftfuktigheten får inte överstiga 80%.
 - Miljötemperaturen måste vara mellan -15°C och 45°C.
- Om maskinen är utrustad med en vattenkylhet och miljötemperaturen är under 0°C: tillsätt frostvätska av avsedd typ eller töm helt hydraulkretsen och vattentanken.

Vidta alltid lämpliga åtgärder för att skydda maskinen mot fukt, smuts och rost.

2. INLEDNING OCH ALLMÄN BESKRIVNING

2.1 INLEDNING

Bärbar häftsvets för motståndssvetsning.

Serien innefattar 3 modeller:

5.8kA:

Bärbar häftsvets med elektronisk tidsinställning. Gör det möjligt att utföra svetspunkterna med stor noggrannhet tack vare den elektroniska kontrollen av häftsvetstiden och inställningen av elektrodernas kraft. Kan häftsvetsa på stålplåt med lågt kolnehåll (standardarmar) med en tjocklek på upp till 1 + 1 mm.

6.9kA (230V):

Bärbar häftsvets med digital kontroll med mikroprocessor.

De huvudsakliga egenskaper som kan styras från kontrolltavlan är följande:

- Val av tjocklek på de plåtar som ska häftsvetsas.
- Korrigering av häftsvetstid.
- Möjlighet att koppla in häftsvetsström i impulser.
- Inställning av häftsvetskraft.
- Kan häftsvetsa på stålplåt med lågt kolnehåll (standardarmar) med en tjocklek på upp till 2 + 2 mm.

6.9kA (400V):

Bärbar häftsvets med digital kontroll med mikroprocessor. Samma egenskaper som hos modellen 6.9kA (230V), förutom att den fungerar med en matningsspänning på 400V (380V-415V).

2.2 STANDARDTILLBEHÖR

Häftsvetsens bastillbehör innefattar armar på 120 mm samt standardelektroder.

2.3 TILLBEHÖR PÅ BESTÄLLNING

- Arm- och elektrodpar med annorlunda längd och/eller form, även i kit med flera par.
- Vagn för armar på vilken man kan placera häftsvetsen och tillbehören.

3. TEKNISKA DATA

3.1 INFORMATIONSSKYLT (FIG. A)

Den viktigaste informationen gällande häftsvetsens användning och prestationer sammanfattas på informationsskylten, och har följande betydelse.

- 1- Matningslinjens fasantal och frekvens.
- 2- Matningsspänning.
- 3- Elnätets nominella effekt med intermittensförhållande 50%.
- 4- Elnätets effekt vid permanent drift (100%).
- 5- Elektrodernas maximala spänning på tomgång.
- 6- Maximal ström med elektroderna i kortslutning.
- 7- Elektrodernas maximala kraft.
- 8- Sekundär ström vid permanent drift (100%).

OBS: Det exempel på skylt som illustreras, indikerar bara symbolernas och siffrornas betydelse. De exakta värdena för just er häftsvets tekniska data måste läsas av direkt på skylten på själva häftsvetsen.

3.2 ÖVRIGA TEKNISKA DATA

Allmänna egenskaper: TAB. 1.

Häftsvetsens massa: TAB. 7.

4. BESKRIVNING AV HÄFTSVETSEN

4.1 HUVUDSAKLIGA KOMPONENTER OCH INSTÄLLNINGAR (FIG. B)

- 1- Skruv för inställning av elektrodernas kraft.
- 2- Handtag som kan ställas in höger/vänster.
- 3- Hål för montering av eventuell ögonbult.
- 4- Rörlig svetsarm.
- 5- Fast svetsarm.
- 6- Matningskabel.
- 7- Informationsskylt.
- 8- Mikrobrytare.
- 9- Inställning av häftsvetstid (endast för modell 5.8kA (FIG. B1)), för modellerna 6.9kA se 4.2 KONTROLLTAVLA.
- 10- Spak för häftsvetsning.

4.2 KONTROLLTAVLA (enbart för modellerna 6.9kA) (FIG. C)

- 1- **Knapp för korrigering av häftsvetstiden:** justerar häftsvetstiden jämfört med fabriksstandard.
- 2- **Knapp för val av plåtens tjocklek:** val av tjocklek på den plåt som man har för avsikt att häftsvetsa.
- 3- **Knapp för val av tillvägagångssätt för häftsvetsning:**



: svetsströmmen är pulserande. Detta val förbättrar kapaciteten att häftsvetsa plåtar med hög sträckgräns eller plåtar med särskild skyddsfilm. Impulsperioden är automatisk och behöver inte regleras.

— : normal häftsvetsning.

4- LYSDIODER som indikerar att termoskyddet har ingripit.

När de två lysdioderna blinkar alternerande medan övriga lysdioder är släckta, indikerar detta att häftsvetsen blockerats på grund av övertemperatur. Återställningen sker automatiskt när temperaturen sjunker under den tillåtna gränsen.

5. INSTALLATION



VIKTIGT! UTFÖR ALLA ARBETSMOMENT FÖR INSTALLATION, ELEKTRISK OCH PNEUMATISK ANSLUTNING MED HÄFTSVETSEN AVSTÄNGD OCH FRÄNKOPPLAD FRÅN ELNÄTET. DEN ELEKTRISKA OCH PNEUMATISKA ANSLUTNINGEN FÅR BARA UTFÖRAS AV KUNNIG OCH KVALIFICERAD PERSONAL.

5.1 FÖRBEREDELSE

Packa upp häftsvetsen och montera dit de demonterade delarna som finns inne i emballaget.

5.2 TILLVÄGAGÅNGSSÄTT FÖR LYFT

VIKTIGT: De häftsvetsar som beskrivs i denna bruksanvisning är inte utrustade med någon lyftanordning. Om ni vill sätta fast en ögonbult för att lyfta upp häftsvetsen ska ni använda er av hålet (FIG. F (2)), var noggrann med att det gängade stiftet inte tränger längre än 8 mm in i svetsen.

5.3 PLACERING

Välj en uppställningsplats med tillräckligt stor yta och utan hinder, så att det är lätt att komma åt kontrollpanelen och arbetsområdet (elektroderna) under säkra förhållanden. Försäkra dig om att det inte finns någonting som blockerar öppningarna för kylflötsintag och kylflötsutsläpp. Försäkra dig vidare om att ledande dammpartiklar, frätande ångor, fukt osv. inte sugts in i kylflötsanläggningen.

Placera punktsvetsen på en plan yta av ett jämnt och kompakt material som lämpar sig för att klara av dess vikt (se "tekniska data") för att undvika faran för vältnings och farliga förflyttningar.

5.4 ANSLUTNING TILL ELNÄTET

5.4.1 Varningar

- Innan du utför en elanslutning, ska du kontrollera att uppgifterna på punktsvetsens märkplåt överensstämmer med spänningen och frekvensen på installationsplatsen.
- Punktsvetsen får endast anslutas till ett matningssystem med neutral jordningsledning.
- För att garantera skydd mot indirekta kontakter, ska du använda differentialbrytare av typen:
 - Typ A () för enfasmaskiner;
 - Typ B () för trefasmaskiner.
- För att uppfylla kraven i normen EN 61000-3-11 (Flicker) råder vi dig att ansluta punktsvetsen till matningsnätets gränssnittspunkter som har en impedans som är under $Z_{max} = 0.179 \text{ ohm}$.
- Punktsvetsen omfattas inte av kraven i standard IEC/EN 61000-3-12.
- Om den ansluts till ett elnät för allmän elförsörjning är det installatörens eller användarens ansvarighet att kontrollera att punktsvetsen kan anslutas (om nödvändigt, vänd dig till distributionssystemets eloperatör).

5.4.2 Kontakt och uttag

Anslut nätkabeln till en normaliserad kontakt (3P+T (stift+jord): endast 2 poler används för anslutningen 400 V MELLAN FASER; 2P+T (stift+jord): anslutning 230 V ENFAS) med en lämplig kapacitet. Se till att nätuttaget skyddas av säkringar eller en automatisk magnetotermisk säkerhetsströmbrytare. Jordningsterminalen måste anslutas till jordningsledningen (gulgrön) i försörjningslinjen.

Tillvägagångssättet för anslutningen och antalet poler på den stickpropp som används måste motsvara indikationerna i tabellerna (TAB. 2, 3, 4, 5) i förhållande till elnätets egenskaper och er häftsvets matningsspänning.

Stickproppens kapacitet och säkringarnas och den termomagnetiska brytarens ingreppsegenskaper indikeras i tabellerna TAB. 1 och TAB. 7.

Om fler än en häftsvets installeras, skall strömförsörjningen fördelas cyklistiskt över de tre faserna för att få en jämnare belastning, till exempel:

Häftsvetsar 230V:

- Häftsvets 1 : matning L1-N.
- Häftsvets 2 : matning L2-N.
- Häftsvets 3 : matning L3-N.
- etc.

Häftsvetsar 400V:

- Häftsvets 1 : matning L1-L2.
- Häftsvets 2 : matning L2-L3.
- Häftsvets 3 : matning L3-L1.
- etc.



VIKTIGT! Om ovanstående regler inte följs har säkerhetssystemet som konstruerats av tillverkaren (klass 1) ingen effekt, vilket betyder att det finns risk för skada på person (t.ex. elektrisk stöt) och sak (t.ex. brand).

6. SVETSNING (Häftsvetsning)

6.1 FÖRBEREDELSE

Innan något arbetsmoment för häftsvetsning påbörjas måste man genomföra en serie kontroller och inställningar med häftsvetsen fränkopplad från elnätet:

- 1- Kontrollera att den elektriska anslutningen är korrekt gjord i enlighet med ovan givna anvisningar.
- 2- Inställning i linje och elektrodernas kraft.
 - blockera den undre elektroden ordentligt i den position som är mest lämplig för det arbete som ska utföras,
 - lossa på skruven som håller fast den övre elektroden så att den kan glida i hålet på armen,
 - placera ett mellanlägg, som är lika stort som den plåt som ska häftsvetsas, mellan elektroderna,
 - **FIG. D** stäng spaken 2 tills armarna är parallella och elektrodernas spetsar sammanfaller. Drag åt skruven 3 (d.M6) som levereras tillsammans med anordningen, i hålet 1 för att blockera spaken i den position som är lämplig för att utföra inställningen av kraften,
 - blockera den övre elektroden i den korrekta positionen och drag åt skruven ordentligt,
 - reglera elektrodernas kraft under häftsvetsfasen FIG.E genom att justera skruven för reglering (1) med hjälp av den tillhörande nyckeln. Det värde som

ställts in indikeras av visarens position på den graderade skalan, på det sätt som illustreras i FIG. F. Tabellen TAB. 6 indikerar den kraft som kan uppnås med armar av olika längd. Skruva medsols för att öka kraften i proportion till plåtarnas tjocklek, anpassa inställningen på ett sådant sätt att stängningen av tången och den tillhörande mikrobytarens kan ske genom att använda sig av en begränsad styrka.

6.2 INSTÄLLNING AV PARAMETRAR

6.2.1 6.9kA-modeller:

- välj tjocklek på den plåt som ska häftsvevtsas med hjälp av knappen (2 - FIG. C) som sitter på häftsvevtsens kontrolltavla,
- välj typen av häftsvevtsning (kontinuerlig eller med impulser) med hjälp av knappen (3 - FIG. C).

Det är möjligt att korrigera standardtiden för häftsvevtsning uppåt eller nedåt, med hjälp av knappen (1 - FIG. C), om det skulle behövas.

6.2.2 5.8kA-modell:

Reglera häftsvevstiden med hjälp av potentiometern (9 - FIG.B1) som sitter på häftsvevtsens baksida. Använd så låga värden som möjligt som är kompatibla med det korrekta utförandet av svetspunkten (se 6.3 TILLVÄGAGÅNGSSÄTT).

6.3 TILLVÄGAGÅNGSSÄTT

Efter att ha matat häftsvevtsen elektriskt ska man gå tillväga på följande sätt för att utföra häftsvevtsningen:

- stöd den undre elektroden mot den plåt som ska häftsvevtsas;
- tryck in spaken på tången till ändstopp, och således tills mikrobytarens (8-FIG.B) trycks in, varvid följande händer:
 - a) elektroderna sluter till om plåtarna med en på förhand inställd kraft;
 - b) svetsströmmen passerar under den tid som ställts in.
- släpp spaken på tången efter något ögonblick. Denna fördröjning (kvarhållande) ger svetspunkten bättre mekaniska egenskaper.

Om man inte har någon erfarenhet av det specifika fallet är det lämpligt att genomföra några försök med plåtar av samma tjocklek och kvalitet som de som man har för avsikt att häftsvevtsa.

Utförandet av punkten anses korrekt om svetspunktens kärna dras ut från den enda av de två plåtarna när punkten utsätts för ett dragprov.



OBS! Punktvevtsen är utrustad med en skyddsledning som ansluter svetskretsen direkt till jord.

Utför svetsningen endast om plåtarna som ska sammanfogas är isolerade från jordningen!

Om så inte är fallet, ska du omedelbart avbryta svetsningsarbetet och låta kontrollera skyddsledningen i anläggningen eller punktvevtsen av en erfaren person som har tekniska kvalifikationer.

7. UNDERHÅLL



OBS! INNAN DU UTFÖR UNDERHÅLLSÅTGÄRDERNA, SKA DU FÖRSÄKRA DIG OM ATT PUNKTSVEVTSEN ÄR AVSTÅNGD OCH FRÄNKOPPLAD FRÅN DET ELEKTRISKA OCH PNEUMATISKA NÄTET (om tillgängligt).

På versioner med aktivering med pneumatisk cylinder, ska du låsa brytaren i läge "O" med låset som ingår.

7.1 LÖPANDE UNDERHÅLL

DE LÖPANDE UNDERHÅLLSÅTGÄRDERNA KAN UTFÖRAS AV OPERATÖREN.

- Anpassning/återställning av elektrodspetsens diameter och profil.
- Kontroll av elektrodernas inriktning.
- Kontroll av fjäderns laddning (elektrodernas kraft).
- Kontroll av att punktvevtsens och klämmans nätkabel är hel.
- Byte av elektroder och armar.

7.2 EXTRAORDINÄRT UNDERHÅLL

ÅTGÄRDERNA FÖR EXTRAORDINÄRT UNDERHÅLL FÅR ENDAST UTFÖRAS AV ERFAREN PERSONAL ELLER PERSONAL MED ERFARENHET ELLER KVALIFIKATIONER I DET ELEKTRISKA-MEKANISKA FÄLTET.



OBS! INNAN DU TAR BORT PANELERNA FRÅN PUNKTSVEVTSEN OCH SÖKER ÅTKOMST TILL DESS INVÄNDIGA DELAR, SKA DU FÖRSÄKRA DIG OM ATT PUNKTSVEVTSEN ÄR AVSTÅNGD OCH FRÄNKOPPLAD FRÅN DET ELEKTRISKA STRÖMNÄTET OCH DET PNEUMATISKA NÄTET (om tillgängligt).

Eventuella kontroller som utförs med spänning i punktvevtsen kan leda till allvariga elektriska stötar på grund av direktkontakten med de strömförande delarna och/eller skador som beror på direktkontakt med de rörliga delarna.

Regelbundet och hur som helst enligt användningen och miljöförhållandena, ska du inspektera punktvevtsen invändigt och avlägsna damm och metallpartiklar som har deponerats på transformatorn, tyristormodulen, diodmodulen, strömförsörjningens kabelfäste osv. med torr tryckluft (max. 5 bar).

Undvik att rikta tryckluftstrålen mot de elektroniska korten. Rengör dem eventuellt med en mycket mjuk borste och lämpliga rengöringsmedel.

Vid detta tillfälle:

- Kontrollera att kabelselens isolering inte är skadad eller att kopplingarna inte är lossade eller oxiderade.
- Smörj leder och stift.
- Kontrollera att skruvarna för koppling av transformatorns sekundärdel till armhållarna är väl åtdragna och att det inte finns tecken på oxidering eller överhettning. Samma sak gäller för armarnas låsskruvar och elektrodhållarna.
- Kontrollera att skruvarna för koppling av transformatorn till stängerna/utgångsflåtorna är väl åtdragna och att det inte finns tecken på oxidering eller överhettning.
- Kontrollera kontinuiteten i maskinens jordningskrets med svetskretsen (elektroder).
- Kontrollera att skruvarna för anslutning av den sekundära enheten till transformatorn (om sådana finns) är ordentligt åtdragna och att det inte finns tecken på oxidering eller överhettning.
- Efter att ha utfört underhållsarbetet eller reparationen, ska du återställa anslutningarna och kabelselen så som de var ursprungligen och vara noga med att de inte kommer i kontakt med de rörliga delarna eller delar som kan nå höga temperaturer. Linda alla ledningar så som de var ursprungligen och vara noga med att hålla kopplingarna för huvudenheten i högspänning och de sekundära i lågspänning.

Använd alla brickor och originalsruvar för att montera höljet.

7.3 FELSÖKNING

VID EN EVENTUELLT OTILLFREDSSTÄLLANDE FUNKTION OCH INNAN DU UTFÖR MER SYSTEMATISKA KONTROLLER ELLER VÄNDER DIG TILL REPARATIONSVERKSTADEN, KONTROLLERA FÖLJANDE PUNKTER:

- Med aktiverad svetsspak, trycks mikrobytarens ner för att ge klarsignal till det elektroniska kortet för svetsning.
- Inga termiska skydd har ingripit.
- Elementen som tillhör delarna på den sekundära kretsen (armhållare-armor- elektrodhållare) är inte ineffektiva på grund av skruvar som har lossats eller oxideringar.
- Svetsparametrarna (kraft och elektrodernas diameter, svetsstid) lämpar sig inte till arbetet som utförs.

1. ALMEN SIKKERHED I FORBINDELSE MED MODSTANDSSVEJSNING	41	6.2.1 6.9kA-modeller:	43
2. INDLEDNING OG ALMEN BESKRIVELSE	42	6.2.2 Model 5.8kA:	43
2.1 INDLEDNING	42	6.3 FREMGANGSMÅDE	43
2.2 STANDARDTILBEHØR	42	7. VEDLIGEHOLDELSE	43
2.3 TILBEHØR, DER KAN BESTILLES	42	7.1 ALMINDELIG VEDLIGEHOLDELSE	43
3. TEKNISKE DATA	42	7.2 EKSTRAORDINÆR VEDLIGEHOLDELSE	43
3.1 SPECIFIKATIONSMÆRKAT (FIG. A)	42	7.3 FEJLFINDING	43
3.2 ANDRE TEKNISKE DATA	42		
4. BESKRIVELSE AF PUNKTSVEJSEMASKINEN	42		
4.1 HOVEDKOMPONENTER OG REGULERINGER (FIG. B)	42		
4.2 STYREPANEL (kun på modellerne 6.9kA) (FIG. C)	42		
5. INSTALLATION	42		
5.1 INDRETNING	42		
5.2 LØFTEMETODER	42		
5.3 PLACERING	42		
5.4 FORBINDELSE TIL NETFORSYNINGEN	42		
5.4.1 Advarsler	42		
5.4.2 Stik og stikkontakt	42		
6. SVEJSNING (Punktsvejsning)	42		
6.1 INDLEDENDE INDGREB	42		
6.2 REGULERING AF PARAMETRENE	43		

MODSTANDSSVEJSEAPPARATER TIL INDUSTRIEL OG PROFESSIONEL BRUG

Bemærk: I den efterfølgende tekst anvendes betegnelsen "punktsvejsmaskine".

1. ALMEN SIKKERHED I FORBINDELSE MED MODSTANDSSVEJSNING

Operatøren skal sættes tilstrækkeligt ind i, hvordan punktsvejsmaskinen anvendes sikkert, samt oplyses om risiciene forbundet med modstandssvejsningsprocedurerne samt om de påkrævede sikkerhedsforanstaltninger og nødprocedurer.



- Den elektriske installation skal udføres efter de gældende ulykkesforebyggende normer og love.
- Punktsvejsmaskinen må udelukkende forbindes til et forsyningssystem med en jordforbundet nulledning.
- Sørg for, at netstikkontaktene rigtigt forbundet med jordbeskyttelsesanlægget.
- Der må ikke anvendes ledninger med dårlig isolering eller løse forbindelser.
- Punktsvejsmaskinen skal anvendes ved en omgivende lufttemperatur mellem 5°C og 40°C og en relativ luftfugtighed på 50% ved temperaturer på op til 40°C og på 90% ved temperaturer på op til 20°C.
- Svejsmaskinen må ikke anvendes i fugtige, våde omgivelser eller uendørs i regnvejr.
- Tilslutningen af svejsekablerne og hvilket som helst almindeligt vedligeholdelsesarbejde på arme og/eller elektroder skal udføres, mens punktsvejsmaskinen er slukket og frakoblet el- og trykløftsforstyrrelsen (såfremt de forefindes).
- Den samme procedure skal overholdes, hvad angår tilslutningen til vandforsyningen eller en køleenhed med lukket kredsløb (vandafkølede punktsvejsmaskiner) samt ethvert reparationsarbejde (ekstraordinær vedligeholdelse).



- Det er forbudt at anvende apparatet i omgivelser, der er klassificeret som sprængfarlige på grund af tilstedeværelse af gas, støv eller tåge.
- Der må ikke svejses på beholdere, dunke eller rør, der indeholder eller har indeholdt brændbare væsker eller gasarter.
- Undlad at arbejde på materialer, der er rensat med klorbrintholdige opløsningsmidler eller i nærheden af lignende stoffer.
- Der må ikke svejses på beholdere under tryk.
- Samtlige brændbare stoffer (såsom træ, papir, klude) skal fjernes fra arbejdsområdet.
- Lad arbejdsområdet køle ned efter svejsningen! Undlad at placere arbejdsområdet i nærheden af brændbare stoffer.
- Sørg for, at der er tilstrækkelig udluftning eller findes egnede midler til fjernelse af svejsedampene i nærheden af elektroderne; der skal iværksættes en systematisk procedure til vurdering af grænsen for udsættelse for svejsedampene alt efter deres sammensætning, koncentration og udsættelsens varighed.



- Beskyt altid øjnene med de dertil beregnede beskyttelsesbriller.
- Anvend altid beskyttelseshandsker og -klæder, der egner sig til modstandssvejsprocedurerne.
- Støjniveau: Hvis det personlige udsættelsesniveau (LEP,d) i forbindelse med særligt intensive svejsprocedurer kommer op på eller over 85db(A), er der pligt til at anvende egnede personlige værnemidler.



- Svejsestrømmens gennemgang frembringer elektromagnetiske felter (EMF) i nærheden af punktsvejskredsløbet.

De elektromagnetiske felter kan skabe interferens med bestemt lægeapparatur (f.eks. pacemakere, respiratorer, metalproteser osv.).

Der skal træffes passende sikkerhedsforanstaltninger for at værne om patienter, der anvender sådant apparatur. Dette kan for eksempel gøres ved at forbyde adgang til punktsvejsmaskinens driftsområde.

Denne punktsvejsmaskine opfylder den tekniske standards krav til produkter, der udelukkende anvendes i industrielle omgivelser til professionel brug. Det garanteres ikke, at det overholder de grundlæggende grænser for personers

udsættelse for elektromagnetiske felter i husholdningsmiljøer.

Brugeren skal følge de nedenstående procedurer for at begrænse udsættelsen for elektromagnetiske felter:

- Fastgør de to punktsvejsekabler (såfremt de forefindes) så tæt som muligt på hinanden.
- Hold hovedet og overkroppen så langt væk som muligt fra punktsvejskredsløbet.
- Vikl under ingen omstændigheder punktsvejsekablerne (såfremt de forefindes) rundt om kroppen.
- Undlad at punktsvejs, mens kroppen befinder sig midt i svejskredsløbet. Hold begge kabler på den samme side af kroppen.
- Forbind punktsvejsstrømreturkablet (såfremt det forefindes) til det emne, der skal punktsvejses, så tæt som muligt på samlingen.
- Undlad at punktsvejs i nærheden af punktsvejsmaskinen, samt at sidde på eller læne sig op ad den (minimal afstand: 50cm).
- Efterlad ikke jernmagnetiske genstande i nærheden af punktsvejskredsløbet.
- Minimal afstand:
 - d = 3cm, f = 50cm (Fig. G);
 - d = 3cm, f = 50cm (Fig. H);
 - d = 30cm (Fig. I);
 - d = 20cm (Fig. L) Studder.



- Apparatet hørende til klasse A: Denne svejsmaskine opfylder den tekniske standards krav til produkter, der udelukkende anvendes i industrielle omgivelser og til professionel brug. Deres elektromagnetiske kompatibilitet garanteres ikke i bygninger, der er direkte forbundet med et lavspændingsnet, der forsyner husholdninger.

FORVENTET ANVENDELSE

Anlægget skal anvendes til punktsvejsning af en eller flere stålplader med lavt kulstofindhold, med forskellige former og dimensioner alt efter den påtænkte forarbejdning.



TILBAGEVÆRENDE RISIKO FOR MASNING AF DE ØVRE LEMMER LAD VÆRE MED AT ANBRINGE HÆNDERNE I NÆRHEDEN AF DELE I BEVÆGELSE!

Punktsvejsmaskinens funktionsmåde og arbejdsområdenes variable former og dimensioner gør det umuligt at indrette en integreret beskyttelsesanordning, der hindrer masning af de øvre lemmer: fingrene, hånden, underarmen.

Risiko kan formindskes ved at træffe de fornødne forholdsregler.

- Medarbejderen skal have erfaring eller være sat ind i modstandssvejsningsprocedurerne med denne slags apparatur.
- Der skal være foretaget en vurdering af risiciene forbundet med hver slags arbejde; der skal anvendes udstyr og afskærmninger, der er egnede til at støtte og lede emnet under forarbejdningen, så hænderne fjernes fra det farlige område rundt om elektroderne.
- I tilfælde af anvendelse af en bærbar punktsvejsmaskine: Hold godt fast i tangen med begge hænder på de dertil beregnede greb; hold altid hænderne væk fra elektroderne.
- Hvis emnets udformning muliggør dette, skal man altid regulere elektrodernes afstand således, at vandrigen ikke overstiger 6 mm.
- Sørg for, at der ikke arbejder mere end én person med samme punktsvejsmaskine samtidigt.
- Uvedkommende må ikke have adgang til arbejdsområdet.
- Punktsvejsmaskinen må ikke efterlades uden opsyn: I dette tilfælde skal den frakobles forsyningsnettet; på punktsvejsmaskiner med aktivering med pneumatisk cylinder skal hovedafbryderen stilles på "O" og blokeres med den medfølgende hængelås, nøglen skal fjernes og opbevares af den ansvarshavende.
- Anvend udelukkende de elektroder, der er beregnede til maskinen (se reservedellisten) uden at ændre på disses form.

FARE FOR FORBRÆNDINGER

Visse dele af punktsvejsmaskinen (elektroder, arme og nærliggende områder) kan nå temperaturer på over 65°C: Det er nødvendigt at anvende egnede beskyttelsesklæder.

Lad arbejdsområdet køle ned efter svejsningen, før det berøres!

FARE FOR VÆLTNING OG STYRT

- Anbring punktsvejsmaskinen på en plan flade med en passende

bæreevne; fastgør punktsvejsmaskinen til støttefladen (såfremt dette angives i afsnittet "INSTALLATION" i denne vejledning). I modsat fald, i tilfælde af skrå eller ujævne gulvflader samt bevægelige støtteflader, opstår der fare for væltning.

- Det er forbudt at hæve punktsvejsmaskinen, med mindre dette angives udtrykkeligt i afsnittet "INSTALLATION" i denne vejledning.
- I tilfælde af anvendelse af mobile maskiner: Frakobl punktsvejsmaskinen fra el- og trykluftforsyningen (såfremt de forefindes), før enheden flyttes til et andet arbejdsområde. Pas på eventuelle forhindringer og ujævnheder på grunden (for eksempel kabler og rør).

- UHENSIGTSMÆSSIG ANVENDELSE

Det er farligt at anvende punktsvejsmaskinen til hvilken som helst anden forarbejdning end den forventede (se FORVENTET ANVENDELSE).



BESKYTTELSESANORDNINGER OG VÆRN

Beskyttelsesanordningerne og de bevægelige dele af punktsvejsmaskinens hus skal være placeret, før den forbindes til forsyningsnettet.

GIV AGT! Hvilket som helst manuelt indgreb på punktsvejsmaskinens tilgængelige, bevægelige dele, som for eksempel:

- Udskiftning eller vedligeholdelse af elektroderne
- Regulering af armenes eller elektroderne position

SKAL FORETAGES, MENS PUNKTSVEJSEMASKINEN ER SLUKKET OG FRAKOBLET EL- OG TRYKLUFTFORSYNINGEN (såfremt de forefindes). HOVEDAFRBYDER BLOKERET PÅ "O" MED LÅST HÆNGELÅS OG FJERNET NØGLE PÅ MODELLER, DER AKTIVERES MED PNEUMATISK CYLINDER).

LAGRING

- Anbring maskinen og dens tilbehør (med eller uden emballage) i lukkede lokaler.
 - Den relative luftfugtighed må ikke overstige 80%.
 - Den omgivende lufttemperatur skal være mellem -15°C og 45°C.
- Hvis maskinen er forsynet med vandkøleenhed og den omgivende lufttemperatur ligger under 0°C: skal der tilsættes frostvæske, eller den hydrauliske kreds og vandbeholderen skal tømmes helt.
- Træf altid egnede foranstaltninger for at beskytte maskinen mod fugt, snavs og rust.

2. INDLEDNING OG ALMEN BESKRIVELSE

2.1 INDLEDNING

Bærbare punktsvejsmaskiner til modstandssvejsning.

Serien består af 3 modeller:

- **5.8kA:**
Bærbare punktsvejsmaskiner med elektronisk timer. Giver mulighed for nøjagtig udførelse af punktsvejsning takket være den elektroniske styring af punktsvejssetiden og reguleringen af elektroderne kraft. Mulighed for at foretage punktsvejsning på stålplader med lavt kulstofindhold (standardarme) med en tykkelse på op til 1+1 mm.
- **6.9kA (230V):**
Bærbare punktsvejsmaskiner med mikroprocessor digitalstyring. Hovedegenskaberne, som kan styres fra styretavlen, er som følger:
 - Indstilling af tykkelsen på den metalplade, punktsvejsningen skal foretages på.
 - Rettelse af punktsvejssetiden.
 - Mulighed for at tilkoble punktsvejsstrømmens puls.
 - Regulering af punktsvejskraften.
 - Mulighed for at foretage punktsvejsning på stålplader med lavt kulstofindhold (standardarme) med en tykkelse på op til 2+2 mm.
- **6.9kA (400V):**
Bærbare punktsvejsmaskiner med mikroprocessor digitalstyring. Samme egenskaber som modellen 6.9kA (230V), men den fungerer med en netspænding på 400V(380V-415V).

2.2 STANDARDTILBEHØR

Punktsvejsmaskinens basistilbehør omfatter arme på 120 mm og standardelektroder.

2.3 TILBEHØR, DER KAN BESTILLES

- Par arme og elektroder med forskellig længde og/eller form, også i sæt, der omfatter adskillige par.
- Vogn til arme: Til at støtte punktsvejsmaskinen og tilbehøret på.

3. TEKNISKE DATA

3.1 SPECIFIKATIONSMÆRKAT (FIG. A)

De vigtigste data vedrørende punktsvejsmaskinens anvendelse og præstationer er sammenfattet på specifikationsmærkatet med følgende betydning.

- 1- Netforsyningens faseantal og frekvens.
- 2- Netspænding.
- 3- Netforsyningens mærkeeffekt ved et intermitterende forhold på 50%.
- 4- Netforsyning ved permanent tilførsel (100%).
- 5- Maksimalspænding til elektroderne uden belastning.
- 6- Maksimalstrøm med kortsluttede elektroder.
- 7- Elektrodenes maksimalkraft.
- 8- Sekundær strøm ved permanent tilførsel (100%).

Bemærk: Formålet med ovenstående eksempel på et specifikationsmærkat er at forklare symbolernes og tallenes betydning, de nøjagtige værdier for de tekniske data vedrørende jeres punktsvejsmaskine skal aflæses på den pågældende svejsmaskines specifikationsmærkat.

3.2 ANDRE TEKNISKE DATA

Almene egenskaber: TAB. 1.


Punktsvejsmaskinens vægt: TAB. 7.

4. BESKRIVELSE AF PUNKTSVEJSEMASKINEN

4.1 HOVEDKOMPONENTER OG REGULERINGER (FIG. B)

- 1- Skruer til regulering af elektroderne kraft.
- 2- Håndgreb, der skal placeres til højre/venstre.
- 3- Hul til montering af eventuel ringskrue.
- 4- Bevægelig svejsearm.
- 5- Fast svejsearm.
- 6- Forsyningsledning.
- 7- Specifikationsmærkat.
- 8- Mikrokontakt.
- 9- Regulering af punktsvejssetiden (kun på modellen 5.8kA (FIG. B1)); hvad angår modellerne 6.9kA jævnfør 4.2 : STYREPANEL.
- 10- Punktsvejsstyrestang.

4.2 STYREPANEL (kun på modellerne 6.9kA) (FIG. C)

- 1- **Knap til rettelse af punktsvejssetiden:**
retter på punktsvejssetiden i forhold til fabriksindstillingen.
- 2- **Knap til indstilling af metalpladens tykkelse:**
anvendes til at indstille tykkelsen på den metalplade, punktsvejsningen skal foretages på.
- 3- **Knap til indstilling af punktsvejsmåden:**
 : svejsestrømmen er pulserende.
Hvis man vælger denne indstilling forbedres punktsvejskapaciteten på metalplader med høj strækning eller metalplader med særlig beskyttelsesfilm. Pulseringstiden justeres automatisk, og kræver således ingen regulering.

 : Almindelig punktsvejsning.

4- SIGNALLAMPER DER GIVER MEDDELELSE OM UDLØSNING AF VARMSIKRING.

De to signallamper lyser skiftevis, mens de øvrige signallamper er slukkede, hvilket gør brugeren opmærksom på, at punktsvejsmaskinen er blevet spærret på grund af overophedning; genopretningen foretages automatisk, så snart temperaturen igen befinder sig indenfor de tilladte grænser.

5. INSTALLATION



GIV AGT! DET ER STRENGT NØDVENDIGT, AT PUNKTSVEJSEMASKINEN SLUKKES OG FRAKOBLES NETFORSYNINGEN, FØR DER FORETAGES HVILKET SOM HELST ARBEJDE, DER VEDRØRER INSTALLATION SAMT TILSLUTNING TIL EL- OG TRYKLUFTFORSYNINGEN. TILSLUTNINGEN TIL EL- OG TRYKLUFTFORSYNINGEN MÅ UDELUKKENDE FORETAGES AF MEDARBEJDERE, DER RÅDER OVER DEN FORNØDNE ERFARING OG FAGLIGE FORUDSÆTNINGER.

5.1 INDRETNING

Fjern emballagen fra punktsvejsmaskinen, monter de løse dele, der befinder sig i emballagen.

5.2 LØFTEMETODER

GIV AGT: Alle de punktsvejsmaskiner, der fremstilles i nærværende vejledning, leveres uden løfteanordninger; hvis man ønsker at påsætte en ringskrue for at anvende hullet (FIG. F (2)) i forbindelse med hævingen af maskinen, skal man sørge for, at pinden med gevindskæring ikke trænger mere end 8 mm ind.

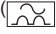

5.3 PLACERING

Vælg et tilstrækkeligt stort og fuldstændigt ryddet område til installationen, så der sikres adgang til styretavlen og arbejdsstedet (elektroder) samt sikre arbejdsforhold. Sørg for, at åbningerne til køleluftind- og udstrømning ikke er tildækket, og kontrollér samtidig, at ledende støvvarter, rustfremkaldende dampe, fugt og lignende ikke kan opbygges.

Anbring punktsvejsmaskinen på en plan flade lavet af et ensartet, kompakt, bæredygtigt materiale (se "tekniske data") for at undgå fare for væltning eller farlige forskydninger.

5.4 FORBINDELSE TIL NETFORSYNINGEN

5.4.1 Advarsler

- Før der foretages hvilken som helst elektrisk forbindelse, skal man kontrollere, om punktsvejsmaskinens mærkedata stemmer overens med netforsyningens spænding og frekvens på installationsstedet.
- Punktsvejsmaskinen må udelukkende forbindes til et forsyningsystem med en jordforbundet nulledning.
- For at sikre mod indirekte kontakt anvend differentialeafbrydere af typen:
 - Type A () til enfasede maskiner;
 - Type B () til trefasede maskiner;
- For at opfylde kravene i standard EN 61000-3-11 (Flicker) anbefales det at forbinde punktsvejsmaskinen med netforsyningens tilslutningspunkter, hvor impedansen er mindre end Zmax = 0.179 ohm.
- Punktsvejsmaskinen overholder ikke kravene i standarden IEC/EN 61000-3-12.
- Hvis der installeres mere end én punktsvejsmaskine, skal strømforsyningen fordeles til installatøren eller brugeren at kontrollere, om den kan forbindes dertil (ret om nødvendigt henvendelse til energiselskabet).

5.4.2 Stik og stikkontakt

Forbind et standardstik (3P+T (F+J) : der anvendes kun 2 poler til INTERFASE-forbindelse 400V; 2P+T (F+J); 230V ENFASE-forbindelse med passende kapacitet med forsyningskablet , og indret en netstikkontakt med sikringer eller automatisk afbryder; jordklemmen skal forbindes med forsyningslinjens jordledning (den gulgrønne).

Forbindelsesmåden og stikkets antal poler, skal passe til fordelingsnettet og punktsvejsmaskinens spændingstilførsel samt til angivelserne på tabellerne (TAB. 2; 3; 4; 5).

Stikkets kapacitet og sikringernes og den termiske sikkerhedsafbryders udløsningssegenskaber er opført på tabellerne TAB. 1 og TAB. 7.

Hvis der installeres mere end én punktsvejsmaskine, skal strømforsyningen fordeles cyklisk mellem de tre faser, således at der opnås en mere afbalanceret belastning, f.eks.:

Punktsvejsmaskiner 230V:

Punktsvejsmaskine 1: forsyning L1-N.
Punktsvejsmaskine 2: forsyning L2-N.
Punktsvejsmaskine 3: forsyning L3-N.
osv.

Punktsvejsmaskiner 400V:

Punktsvejsmaskine 1: forsyning L1-L2.
Punktsvejsmaskine 2: forsyning L2-L3.
Punktsvejsmaskine 3: forsyning L3-L1.
osv.



GIV AGT! Tilførsel af de ovenfor nævnte regler kan medføre, at det af producenten planlagte sikkerhedssystem (klasse 1) ikke fungerer, som det skal, med følgende risiko for personer (f. eks. elektrisk stød) og genstande (f. eks. brand).

6. SVEJSNING (Punktsvejsning)

6.1 INDLEDENDE INDGRÆB

Før der foretages ethvert punktsvejsarbejde, skal man udføre en række eftersyn og check, dog først efter at punktsvejsmaskinen er blevet frakoblet netforsyningen.

- 1- Kontrollér om tilslutningen til elforsyningen er blevet foretaget rigtigt i overensstemmelse med anvisningerne ovenfor.
 - 2- Lige placering af elektroderne og deres kraft:
 - spær den nedre elektrode omhyggeligt i den mest egnede stilling i betragtning af det arbejde, der skal udføres,
 - løs den øverste elektrodens fastgøringsskrue, således at den kan glide i dens hul i armen,
 - sæt et afstandsstykke med den samme tykkelse som de metalplader, punktsvejsningen skal foretages på, ind mellem elektroderne,
 - **FIG. D** luk styrestangen 2, indtil armene befinder sig parallelt og elektrodernes spidser befinder sig ud for hinanden; skru den medfølgende skrue 3 (d. M6) fast i hullet 1 for at spærre styrestangen i en passende stilling til at regulere kraften,
 - spær den øverste elektrode i den rigtige stilling og stram dens skrue omhyggeligt,
 - regulér derefter den kraft, som elektroderne skal udøve i løbet af punktsvejsningen FIG.E, ved at dreje reguleringskruen (1) ved hjælp af den medfølgende skruenøgle; den indstillede værdi, som kan aflæses på den gradinddelte skala, vises på FIG. F.
- TAB. 6 viser værdien for den kraft, der kan opnås med arme af forskellig længde.
Man skal dreje den med uret (til højre) for at øge kraften i takt med forøgelsen af metalpladernes tykkelse; man skal imidlertid tilpasse reguleringen, så det er muligt at lukke tungen og dermed at aktivere mikrokontakterne uden besvær.

6.2 REGULERING AF PARAMETRENE

6.2.1 6.9kA-modeller:

- Indstil tykkelsen på den metalplade, som punktsvejsningen skal foretages på, ved hjælp af knappen (2 - FIG. C), der befinder sig på punktsvejsmaskinens styrepanel;
 - vælg den ønskede punktsvejsmåde (kontinuerlig eller pulserende) ved hjælp af knappen (3 - FIG. C).
- Man har mulighed for at rette på standardpunktsvejssetiden, som efter behov kan forkortes eller forlænges, ved hjælp af knappen (1 - FIG. C).

6.2.2 Model 5.8kA:

Regulér punktsvejssetiden ved hjælp af potentiometret (9 - FIG.B1), der befinder sig på bagsiden af punktsvejsmaskinen; anvend de lavest mulige værdier med henblik på at sikre korrekt udførelse af punktsvejsningen (jævnfør : 6.3 FREMGANGSMÅDE)

6.3 FREMGANGSMÅDE

Når punktsvejsmaskinen er blevet tilkoblet netforsyningen, skal man udføre punktsvejsningen ifølge nedenstående anvisninger:

- Sæt den nedre elektrode på den metalplade, punktsvejsningen skal foretages på.
- Pres tangens styrestang helt i bund, indtil der trykkes på mikrokontakten (8-FIG.B), hvorved man opnår følgende:
 - a) Metalpladerne spærres mellem elektroderne med den forindstillede kraft.
 - b) Gennemstrømning af svejsestrømmen i den fastsatte tid.
- Man skal slippe tangens styrestang efter et øjeblik. Denne forsinkelse (opretholdelse) forbedrer punktets mekaniske egenskaber.

Hvis brugeren ikke råder over særlig erfaring på området, bør der foretages nogle prøvepunktsvejsninger på metalplader med den samme tykkelse og af samme kvalitet som arbejdsstykkerne.

Punktsvejsningen anses for at være korrekt udført, hvis punktsvejskernen kommer ud af en af de to metalplader, når de underkastes en trækprøve.



GIV AGT! Punktsvejsmaskinen er forsynet med en beskyttelsesleder, der forbinder svejsekredsen direkte til jordforbindelsen.

Udfør kun svejsningen, hvis de metalplader, der skal forenes, er isolerede fra jord!

Hvis denne betingelse ikke er opfyldt, skal svejsearbejdet straks afbrydes, og anlæggets eller punktsvejsmaskinens beskyttelsesleder skal kontrolleres af en person med de fornødne tekniske forudsætninger.

7. VEDLIGEHOLDELSE



GIVAGT! FØRMANGÅR I GANG MED VEDLIGEHOLDSESARBEJDET, SKAL MAN FORVISSE SIG OM, AT PUNKTSVEJSEMASKINEN ER SLUKKET OG FRAKOBLET EL- OG TRYKLUFFORSYNINGEN (såfremt den forefindes).

På modeller, der aktiveres med pneumatisk cylinder, skal hovedafbryderen blokeres i position "O" med den medfølgende hængelås.

7.1 ALMINDELIG VEDLIGEHOLDELSE

DEN ALMINDELIGE VEDLIGEHOLDELSE KAN FORETAGES AF OPERATØREN.

- tilpasning/genopretning af elektrodens diameter og profil;
- kontrol af elektrodernes ligestilling;
- kontrol af fjederens belastning (elektrodestyrke);
- kontrol af punktsvejsmaskine- og tangforsyningskablets intaktethed.
- udskiftning af elektroder og arme;

7.2 EKSTRAORDINÆR VEDLIGEHOLDELSE

DEN EKSTRAORDINÆRE VEDLIGEHOLDELSE SKAL UDFØRES AF PERSONALE MED DEN FORNØDNE ERFARING OG KOMPETENCE PÅ EL- OG MEKANIKOMRÅDET.



GIV AGT! FØR MAN FJERNER PUNKTSVEJSEMASKINENS PANELE FOR AT FÅ ADGANG TIL DENS INDRE, SKAL MAN FORVISSE SIG OM, AT PUNKTSVEJSEMASKINEN ER SLUKKET OG FRAKOBLET EL- OG TRYKLUFFORSYNINGEN (såfremt de forefindes).

Hvis der foretages kontroller med spænding i punktsvejsmaskinen, opstår der fare for alvorligt elektrochok ved direkte kontakt med dele med spænding og/eller læsioner som følge af direkte kontakt med dele i bevægelse.

Man skal med jævne mellemrum, og under alle omstændigheder afhængigt af anvendelsen og hvor støvet der er i omgivelserne, kontrollere punktsvejsmaskinen indvendigt og fjerne støvet og ophobede metalpartikler fra transformeren, tyristormodulet, diodemodulet, forsyningsklemkassen osv. med tør trykluft (maks. 5 bar).

Luftstrålen må ikke rettes mod de elektroniske printkort; rens dem om nødvendigt med en meget blød børste eller egnede opløsningsmidler.

Efter behov:

- Undersøg, at kablernes isolering ikke er beskadiget samt at forbindelserne ikke er løse eller oxiderede.

- Smør leddene og tappene.

Kontrollér, om forbindelsesskruerne mellem transformeren sekundære kredse og armholdersamlinger er spændt ordentligt, samt at der ikke er tegn på oxydering eller overophedning; det samme gælder for låseskruerne til arme og elektrodeholdere.

Undersøg, om forbindelsesskruerne mellem transformeren sekundære kredse og stængerne / udgangsfletningerne er spændt ordentligt, samt at der ikke er tegn på oxydering eller overophedning.

kontrollér maskinens jordkreds' kontinuitet med svejsekredsen (elektroderne).

Undersøg, om forbindelsesskruerne for transformeren sekundære kredse (såfremt den forefindes) er spændt ordentligt, samt at der ikke er tegn på oxydering eller overophedning.

Efter udførelse af vedligeholdelsen eller reparationen skal forbindelserne og kabelføringerne genoprettes, så de er som i begyndelsen, og man skal sørge for, at de ikke kommer i kontakt med dele i bevægelse eller dele, der kan komme op på høje temperaturer. Spænd alle lederne fast med bånd, som de var til at begynde med, og sørg for, at den primære kredse med højspænding er helt adskilt fra de sekundære kredse med lavspænding.

Anvend alle de oprindelige underlagsskiver og skruer til at lukke kabinettet igen.

7.3 FEJLFINDING

I TILFÆLDE AF UTILFREDSSTILLEDE DRIFT BØR MAN, FØR MAN RETTER HENVENDELSE TIL VORES SERVICECENTER ELLER UDFØRER MERE GRUNDIGE EFTERSYN, UNDERSØGE FØLGENDE:

- Om der rent faktisk trykkes på mikroafbryderen, når svejsegrebet er aktiveret, hvorved der gives OK til svejsning til det elektroniske printkort.
- At der ikke er blevet udløst nogen varmesikringer.
- At den sekundære kredse's bestanddele (samlinger armholder - arme - elektrodeholder) ikke fungerer dårligt pga. løse skruer eller oxydering.
- At svejseparametrene (elektrodestyrke og diameter, svejsningens varighed) passer til det arbejde, der skal udføres.

1. GENERELL SIKKERHET FOR MOTSTANDSSVEISING	44	5.2 REGULERING AV PARAMETRENE	45
2. INTRODUKSJON OG ALMINDELIG BESKRIVELSE	45	6.2.1 6.9kA modellene:	45
2.1 INTRODUKSJON	45	6.2.2 Modell 5.8kA:	46
2.2 SERIETILBEHØR	45	6.3 PROSEDYRE	46
2.3 EKSTRA TILBEHØR	45	7. VEDLIKEHOLD	46
3. TEKNISKE DATA	45	7.1 REGELMESSIG VEDLIKEHOLD	46
3.1 DATASKILT (FIG. A)	45	7.2 EKSTRAORDINÆRT VEDLIKEHOLD	46
3.2 ANDRE TEKNISKA DATA	45	7.3 FEILSØKING	46
4. BESKRIVELSE AV PUNKTESVEISEREN	45		
4.1 HOVEDKOMPONENTER OG REGULERINGER (FIG. B)	45		
4.2 KONTROLLPANEL (bare for modellene 6.9kA) (FIG. C)	45		
5. INSTALLASJON	45		
5.1 UTSTYR	45		
5.2 LØFTEMODUS	45		
5.3 PLASSERING	45		
5.4 KOPLING TIL NETTET	45		
5.4.1 Advarslinger	45		
5.4.2 Kontakt og uttak	45		
6. SVEISING (Punktesveising)	45		
6.1 PRELIMINÆR PROSEDYRE	45		

APPARATER FOR MOTSTANDSSVEISING TIL INDUSTRIELT OG PROFESJONALT BRUK.

Bemerk: i teksten nedenfor er termen "punktesveiseapparat" brukt.

1. GENERELL SIKKERHET FOR MOTSTANDSSVEISING

Operatøren må ha tilstrekkelig kjennndom for et sikkert bruk av punktesveiseapparatet og ha kjennndom om risikoene ved motstandssveising, tilsvarende verneinngrep og nødstoppsprosedyrer.



- Utfør elinstallasjonen i samsvar med foreskrivne normer og lover om ulykker på arbeidsplassen.
 - Punktesveiseapparatet må kun bli koplet til et matesystem med nøytral ledning som er koplet til jord.
 - Forsikre deg om at mateuttaket er korrekt koplet til jord.
 - Bruk ikke kabler med en svekket isolering eller en kabling som er løst.
 - Bruk punktesveiseapparatet ved en lufttemperatur mellom 5°C og 40°C og en relativ luftfuktighet på 50% opp til en temperatur på 40°C og på 90% opp til en temperatur på 20°C.
 - Bruk ikke punktesveiseapparatet i fuktige eller våte miljøer. Bruk den ikke i regn.
 - Koplingen av sveisekablene og eventuelt vedlikehold på armer og/eller elektroder skal utføres med punktesveiseapparatet slått fra og frakoplet fra det elektriske og pneumatiske matenettet (hvis brukt).
- Samme prosedyrer skal følges ved kopling til vannettet og til en kjøleenhet med lukket krets (punktesveiseapparatet med vannavkjøling) og i hvert fall ved reparasjoner (ekstraordinært vedlikehold).



- Det er forbudt å bruke apparatet i miljøer med områdene som er klassifisert som eksposisjonsfarlige på grunn av gss, støv eller tåke.
- Du skal ikke sveise på beholder eller ledningen som inneholder eller har innholdt brennbare produkter i væskeform eller gassform.
- Unngå å bruke den på rene materialer med kloroppløsningsmidler eller nære slike substanser.
- Du skal ikke sveise på trykkbeholderen.
- Fjern alle brennbare formål (f. eks. tre, papir, traser osv.) fra arbeidsområdet.
- La sveisedelene bli avkjølet! Plasser dem ikke nære brennbare produkter.
- Forsikre deg om at luftventilasjonen er egnet eller bruk egnet midler for å fjerne sveiserøyken ved elektrodene. Det er nødvendig å bruke en systematisk metode for å vurdere grensene for eksponering i sveiserøyk i samsvar med sammensetning, konsentrasjon og eksponeringstid.



- Beskytt øyene med spesielle vernebriller.
- Bruk hansker og verneklær som er egnet for bearbeidelse med motstandssveising.
- Støy: hvis et dagelig støynivå (LEP,d) tilsvarende elel overstigende 85dB(A) oppstår ved sveisearbeid som er spesielt intensive, er det obligatorisk å bruke spesielle individuelle verneutstyr.



- Overgangen av punktesveiestrømmen fører til at elektromagnetiske felt (EMF) dannes ved punktesveisekretsen.

De elektromagnetiske feltene kan føre til interferenser i noen medisinske apparater (f. eks. pacemaker, respiratorer, metalproteser osv.).

Det er nødvendig å ta noen forholdsregler for personer med slike apparater, f.eks. ike tillate adgang til området hvor punktesveiseapparatet er brukt.

Dette punktesveiseapparatet oppfyller de tekniske produktstandardene for bruk bare i industrimiljø for profesjonalt bruk. Vi garanterer inget samsvar med grenseverdiene for eksponering for mennesker og kontakt med de elektromagnetiske feltene ved hjemmebruk.

Operatøren ska utføre disse prosedyrer for å minke eksponeringen av elektromagnetiske felt:

- Fest enheten så nære de to punktesveisekablene som mulig (hvis installert).
- Hold hodet og kroppen så langt borte som mulig fra punktesveisekretsen.
- Du skal aldri linde punktesveisekablene (hvis brukt) rundt kroppen.
- Du skal aldri punktesveise hvis kroppen er i punktesveisekretsen. Hold

- begge kablene på samme side av kroppen.
- Kople punktestrømmens returkabel (hvis brukt) ved stykket som skal punktesveises så nære skjøten som mulig.
- Punktesveise aldri nære, sittende på eller støtt mot punktesveiseapparatet (mindste avstand: 50 cm).
- La ingen magnetiske jernformål være i nærheten av punktesveiseapparatet.
- Mindste avstand:
 - d= 3cm, f= 50cm (Fig. G);
 - d= 3cm, f= 50cm (Fig. H);
 - d= 30cm (Fig. I);
 - d= 20cm (Fig. L) Studer.



- Apparat av klasse A: Dette punktesveiseapparatet oppfyller kravene for den tekniske produktstandard for bruk kun i industrimiljø for profesjonalt bruk. Samsvar med den elektromagnetiske kompatibiliteten i boligbygninger som er direkte koplet til et lavspenningsnett som forsyner bolagsbygninger garanteres ikke.

FORVENTET BRUK

Systemet skal brukes til punktesveising av en eller flere stålplater med ett lavt kullinnhold, av ulike former og mål i samsvar med bearbeidelsen som skal utføres.



ANDRE RISIKOER

RISIKO FOR Å KLEMMER ARMENE
SETT IKKE HENDENE ALTFOR NÆRE DE BEVEGELIGE DELENE!

Punktesveisebrennerens funksjonsmodus og variasjoner i form og mål på delen som skal bearbeides forhindrer et totalt vern mot fare for å klemme armene, fingrene, hendene og underarmene.

Risikoen må reduseres ved å følge disse forholdsregler:

- Operatøren må ha erfaringer og kvalifikasjoner for arbeid med motstandssveising med denne typen av apparater.
- Man skal vurdere risikoen for hver type av arbeid som skal bli utført og forsikre seg om at man har agant til utstyr og enheter som støtter delen som er bearbeidet slik at hendene er borte fra det farlige området ved elektrodene.
- Hvis du bruker et bærbart sveiseapparat: hold klemmen godt med begge hendene på håndtakene. Hold hendene borte fra elektrodene.
- I alle fall hvor delens struktur gjør det mulig å regulere elektrodens avstand slik at man ikke overskrider en bane på 6 mm.
- Forhindre at flere personer arbeider samtidig med samme punktesveiseapparat.
- Arbeidsområdet må blokkeres for uvedkommende personer.
- La aldri punktesveiseapparatet være uten tilsyn. I dette fal er det obligatorisk å kople fra den fra nettet. Punktesveiseapparatet med aktivering med en pneumatisk sylinder har en hovedbryter som skal stilles på "O" og lukkes med det medfølgende hengelåset. Nøkkelen skal fjernes og må oppbevares av den ansvarlige personen.
- Bruk kun elektrodene som er egnet for maskinen (se reservedelslisten) uten å endre formen for disse.

RISIKO FOR FORBRENNINGER

Noen delar av punktesveiseapparatet (elektroder, armer og nærliggende områder) kan nå temperaturer over 65°C: det er nødvendig å bære egnet verneklær.

La delen som er bearbeidet avkjøles før du rører ved den!

RISIKO FOR VELTING OG FALL

Plasser punktesveiseapparatet på en horisontell overflate som er egnet til vekten. Fest punktesveiseapparatet ved støtteplanet (i samsvar med instruksene i kapitlet "INSTALLASJON" i denne håndboka). Et gulv eller støtteplan som er i skråning kan utgjøre risiko for velting.

- Det er forbudt å løfte punktesveiseapparatet, unntatt fallene som er beskrevet i kapitlet "INSTALLASJON" i denne håndboka.

- Hvis du bruker maskiner med vogn: kople ifra punktesveiseapparatet fra den elektriske og pneumatiske forsyningen (hvis installert) før du beveger enehten til en annen arbeidsson. Vær oppmerksom på hinder eller ujevnheter i underlaget (f. eks. kabler og ledninger).

GALT BRUK

Det er farlig å bruke punktesveiseapparatet for arbeid som skiller seg fra forventet bruk (se FORVENTET BRUK).



VERNEUTSTYR

Verneutstyrene og de bevegelige delene på punktesveiseapparatets struktur må være i korrekt posisjon før du kopler enheten til strømforsyningsnett.

BEMERK! Alle manuelle operasjoner på de bevegelige delene som er tilgjengelige for punktesveiseapparatet som f. eks.:

- Bytte eller vedlikehold på elektrodene.
- Regulering av armenes eller elektrodenes posisjon.

SKAL UTFØRES MED PUNKTESVEISEAPPARATET SLÅTT FRA DET ELEKTRISKE OG PNEUMATISKE FORSYNINGSNETTET (hvis brukt). HOVEDBRYTEREN ER LUKKET I STILLING "O" MED LUKKET HENGELÅS OG FJERNET NØKKEL i modeller med aktivering med PNEUMATISK SYLINDER).

OPPBEVARING

- Plasser maskinen og dens tilbehør (med elelr uten emballasje) i en lukket lokal.
 - Den relative luftfuktigheten må ikke overskride 80%.
 - Miljøtemperaturen må være mellom -15°C og 45°C.
- Hvis maskinen er utstyrt med en vannavkjølehet og miljøtemperaturen er under 0°C: tilsatt frostvæske av egnet type eller tømme helt hydraulkreten og vanntanken.

Ta alltid egnet mål for å beskytte maskinen mot fukt, skitt og rust.

2. INTRODUKSJON OG ALMINDELIG BESKRIVELSE

2.1 INTRODUKSJON

Bærbær punktesveiser for motstandssveising.

Serien består av 3 modeller:

- **5.8kA:**
Bærbær punktesveiser med elektronisk timer. For en eksakt utførelse av sveisepunktene takket være den elektroniske kontrollen av punktesveisetiden og reguleringen av elektrodens kraft. Punktesveisekapasitet på stålplater med lavt kullinnhold (standardarmer) opp til en tykkelse på 1+1 mm.
- **6.9kA (230V):**
Bærbær punktesveiser med digital kontroll og mikroprosessor. De hovedsakelige karakteristikkene som kan håndteres fra kontrollpanelet er:
 - Valg av tykkelse på platen som skal punktesveises.
 - Korreksjon av punktesveisetiden.
 - Mulighet til aktivering av punktesveisestrømmen.
 - Regulering av punktesveiseeffekten.
 - Punktesveisekapasitet på stål plater med lavt kullinnhold (standardarmer) opp til en tykkelse på 2+2 mm.
- **6.9kA (400V):**
Bærbær punktesveiser med digital kontroll og mikroprosessor. Samme karakteristikkene som modell 6.9kA (230V), men fungerer med strømspenning på 400V(380V-415V).

2.2 SERIETILBEHØR

Punktesveiserens utstyr inkluderer armer på 120 mm og standard elektroder.

2.3 EKSTRA TILBEHØR

- To armer og elektroder med annen lengde og/eller form, også i sett med flere par.
- Vogn for armer: for å støtte punktesveiseren og tilbehørene.

3. TEKNISKE DATA

3.1 DATASKILT (FIG. A)

Hoveddata som gjelder bruk og prestasjoner av punktesveiseren står på dataskiltet med følgende betydning:

- 1- Antall faser og strømlinjens frekvens.
- 2- Strømspenning.
- 3- Nominell netteffekt med intervaller på 50%.
- 4- Nettspenning av permanent type (100%).
- 5- Maksimal tomgangsspenning i elektrodene.
- 6- Maksimal strøm med elektroder i kortslutning.
- 7- Maksimal kraft i elektrodene.
- 8- Sekundærstrøm av permanent type (100%).

Bemerk: eksemplet på skiltet angir symboler og nummer; eksakte verdier for punktesveiseren står direkte på selve punktesveiseren.

3.2 ANDRE TEKNISKA DATA

Generelle karakteristikkene: TAB. 1.

Punktesveiserens jordeledning: TAB. 7.

4. BESKRIVELSE AV PUNKTESVEISEREN

4.1 HOVEDKOMPONENTER OG REGULERINGER (FIG.B)

- 1- Reguleringskru for elektrodens kraft
- 2- Håndtak som kan plasseres til høyre/venstre
- 3- Hull for montering av festeringer.
- 4- Bevegelig sveisearm.
- 5- Fast sveisearm.
- 6- Strømkabel.
- 7- Skilt med karakteristikkene.
- 8- Microbryter.
- 9- Regulering av punktesveisetiden (bare i modell 5.8kA (FIG. B1)); for modeller 6.9kA se 4.2 : KONTROLLPANEL.
- 10- Punktesveisespak.

4.2 KONTROLLPANEL (bare for modellene 6.9kA) (FIG. C)

- 1- **Tast for korreksjon av punktesveisetiden:** regulerer punktesveisetiden i forhold til fabrikkverdiene
- 2- **Tast for valg av platens tykkelse:** velger tykkelse for platen som skal punktesveises
- 3- **Tast for valg av punktesveisemodus:**



sveisestrømmen er tast.

Da du utfør dette valget, forbedres punktesveisekapasiteten på plater med høyt grenseverdi eller plater med spesielle værelag. Pulseringsperioden er automatisk og trenger ingen regulering.



Normal punktesveising.

4- Lysindikatorer for signalering av aktiveringen av termisk verneutstyr.

De to lysindikatorene blinker eller slukker for å signalere blokkering av punktesveiseren på grunn av altfor høy temperatur. Maskinen blir automatisk stilt tilbake på null da temperaturen blir normal igjen.

5. INSTALLASJON



BEMERK! FULLFØR ALLE INSTALLASJONSPROSEDYRENE OG ELEKTRISKE OG PNEUMATISKE KOPLINGER MED PUNKTESVEISEREN SLÅTT FRA OG FRAKOPLET FRA NETTSTRØMMEN.

ALLE ELEKTRISKE OG PNEUMATISKE KOPLINGER MÅ BARE UTFØRES AV KVALIFISERT PERSONAL MED ERFARING I FELTET.

5.1 UTSTYR

Pakk ut punktesveiseren, utfør monteringen av delene som befinner seg i emballasjen.

5.2 LØFTEMODUS

FORSIKTIG: alle punktesveiser som er beskrevet i denne håndboka er ikke utstyrt med løfteanordninger; hvis du ønsker applisere løfteringer for å henge punktesveiseren ved hjelp av hullet (FIG. F (2)), skal du være forsiktig slik at stammen med gjenger ikke trenger ner mer enn 8mm.

5.3 PLASSERING



Sørg for at installasjonsområdet er stort nok og fritt for hindre, slik at det er mulig å nå lett fram til kontrollpanelet og til arbeidsområdet (elektrodene) i all sikkerhet.

Kontroller at det ikke finnes hindre i nærheten av inngangs- og utgangsåpningene for nedkjølingsluften og sjekk at det ikke kan suges opp ledende støv, etsende damp, fuktighet osv.

Plasser punktesveiseapparatet på en flatt overflate med et jevnt og kompakt material som er egnet for å klare dens vekt (se "tekniske data") for å unngå fare for velting og bevegelser.

5.4 KOPLING TIL NETTET

5.4.1 Advarslinger

- Før du utfører en elektrisk kopling, skal du kontrollere at oppgavene på punktesveisebrennerens plåt overensstemmer med spenningen og frekvensen på installasjonsplatsen.
- Punktesveisebrenneren kan bare koples til et forsyningssystem med nøytral jordeledning.
- For å garantere beskyttelse mot indirekte kontakter, skal du bruke differentialbryten av typen:
 - Type A () før enfasmaskiner;
 - Type B () før trefasmaskiner.
- For å oppfylle kravene i normen EN 61000-3-11 (Flicker) anbefaler vi deg å kople punktesveiseapparatet till matenettets grensesnittspunkter som har en impedanse som er under $Z_{max} = 0.179 \text{ ohm}$.
- Punktesveiseren oppfyller ikke kravene for normen IEC/EN 61000-3-12. Hvis den blir koplet til et nasjonalt forsyningsnett er installatøren eller brukeren ansvarlig for å kontrollere at punktesveiseapparatet kan koples (hvis nødvendig, konsulter distribusjonsnettets distributør).

5.4.2 Kontakt og uttak

Kople nettkabelen til en normalisert kontakt (3P+T (pin+jord): bare 2 poler er brukt til kopligen 400 V MELLOM FASER; 2P+T (pin+jord): kopling 230 V ENFAS) med en egnet kapasitet. Forsikre deg om at nettuttaket er beskyttet av sikringer eller en automatisk magnetotermisk sikkerhetsbryter. Jordeledningsterminalen skal koples til jordeledningen (gulgrønn) i matelinjen.

Koplingsmodus og antall poler i kontakten som skal brukes, i overensstemmelse med distribueringsystemet og strømforsyningsspenningen i punktesveiseren, skal tilsvare indikasjonene i tabellene (TAB. 2; 3; 4; 5).

Kontaktens kapasitet og karakteristikkene for inngrep av sikringene og den magnetisk/termiske bryteren står i tabellene TAB. 1 og TAB. 7.

Hvis du installerer flere punktesveiser, skal du tordele strømforsyningen på syklisk måte mellom de tre fasene for å oppnå en balansert last; eksempel:

Punktesveiser 230V:

- Punktesveiser 1 : strømforsyning L1-N.
- Punktesveiser 2 : strømforsyning L2-N.
- Punktesveiser 3 : strømforsyning L3-N.
- etc.

Punktesveiser 400V:

- Punktesveiser 1 : strømforsyning L1-L2.
- Punktesveiser 2 : strømforsyning L2-L3.
- Punktesveiser 3 : strømforsyning L3-L1.
- etc.



ADVARSEL! Hvis du ikke følger reglene ovenfor, kan sikkerhetssystemet som fabrikanten installert (klasse I) ikke fungere korrekt, med alvorlige risikoer for personer (f.eks. elektrisk støt) og materielle formål (f.eks. brann).

6. SVEISING (Punktesveising)

6.1 PRELIMINÆR PROSEDYRE

Før du utfør en punktesveiseprosedyre, må du utføre en serie kontroller og forsikre deg om at punktesveiseren er kopletra nettet:

- 1- Kontroller at den elektriske kopligen blitt utført i overensstemmelse med forutgående instruksjoner.
 - 2- Elektrodens oppstilling og kraft:
 - blokker den undre elektroden korrekt i stillingen som er egnet for arbeidet som skal utføres,
 - løsne på elektrodens festeskru oppe slik at den glir i armens hull,
 - still en tykkelse tilsvarende tykkelsen på platen som skal bearbeides, mellom elektrodene,
 - FIG. D lukk spak 2 til armene er parallele og elektrodens spisser sammenfaller; stram skru 3 (d.M6) som medfølger maskinen, i hull 1, for å blokkere spaken i egnet stilling og utføre kraftreguleringsprosedyren,
 - blokker den øvre elektroden i korrekt stilling ved å stramme skruen ordentlig,
 - regulær kraften som blir brukt av elektrodene under punktesveisefasen FIG.E, ved å dreie på reguleringskruen (1) ved hjelp av nøkkelen som hører til maskinen; innstilt verdi står i FIG. F i overensstemmelse med stillingen på den graderte skalen. TAB. 6 angir verdiet som kan oppnås med armer som har ulike lengder.
- Stram den i retning med klokken (høyre) for å øke kraften proporsjonert med økningen av platens tykkelse og ved å bruke reguleringen sluk at klemmens lukking og tilhørende aktivering av mikrobyteren, skjer ved å bruke litt kraft.

6.2 REGULERING AV PARAMETRENE

6.2.1 6.9kA modellene:

- velg tykkelse på platen som skal sveises ved hjelp av tasten (2 - FIG. C) som

- befinner seg på punktseiserens kontrollpanel;
- velg type av punktseising (fortsatt eller pulsert) ved å bruke tasten (3 - FIG. C). Du kan endre punktseisetiden hvis nødvendig ved å bruke tast (1 - FIG. C).

6.2.2 Modell 5.8kA:

Regular punktseisetiden ved å bruke potensiometeren (9 - FIG.B1) som befinner seg bak på punktseiseren; bruk verdier som er så lave som mulig for korrekt utførelse av punktseisingen (se : 6.3 PROSEDYRE).

6.3 PROSEDYRE

Da du forsynt punktseiseren med strøm, skal du følge disse instruksene for utførelse av punktseisingprosedyren:

- støtt den undre elektroden på platene som skal punktseises;
- aktiver klemmens spak ved slagslutt og trykk på mikrobryteren (8-FIG.B) slik at:
 - a) platene lukkes mellom elektrodene ved hjelp av forinnstilt kraft;
 - b) sveisestrømmen passerer ved innstilt tid.
- slipp klemmens spak etter noen minutt. Denne forsinkelse (opprettholdelse) gir beste mulige mekaniske karakteristikk.

Hvis du ikke har nødvendige erfaringer, skal du utføre noen prøver av punktseising ved å bruke plater med samme tykkelse og kvalitet som platene som skal punktseises.

Utførelsen av punktseisingen er korrekt når.

Utførelsen av punktseisingen er korrekt når kjernen i punktseisingen i en av de to platene kommer ut hvis du prøver å utføre en trekkeprosedyr.



BEMERK! Punktseisebrenneren er utstyrt med en vernekabel som kopler sveisekretsen direkte til jordeledning.

Utfør sveisebrenningen bare om plåtene som skal koples sammen er isolerte fra jordeledningen!

Hvis dette ikke er fallet, skal du umiddelbart avslutte sveisearbeidet og la en erfaren kvalifisert tekniker kontrollere verneledningen i anlegget eller punktseisen.

7. VEDLIKEHOLD



BEMERK! FØR DU UTFØRER VEDLIKEHOLDSARBEIDET, SKAL DU FORSIKRE DEG OM AT PUNKTSEISEN ER SLÅT FRA OG BORTKØPLET FRA DET ELEKTRISKE OG PNEUMATISKE NETTET (hvis tilgjengelig).

På versjoner med aktivering ved hjelp av pneumatisk sylinder, skal du lukke bryteren i stillingen "O" med låset som inngår.

7.1 REGELMESSIG VEDLIKEHOLD

DET REGELMESSIGE VEDLIKEHOLDSARBEIDET KAN UTFØRES AV OPERATØREN.

- Tilpasning/tilbakestilling av elektrodspissens diameter og profil.
- Kontroll av elektrodens retning.
- Kontroll av fjærens lading (elektrodstyrke).
- Kontroll av at punktseisebrennerens og klemmens nettkabel er hel.
- Bytte av elektroder og armer.

7.2 EKSTRAORDINÆRT VEDLIKEHOLD

EKSTRAORDINÆRE VEDLIKEHOLDSPROSEDYRER MÅ KUN UTFØRES AV ERFAREN PERSONAL ELLER PERSONAL MED ELEKTRISK OG MEKANISK EKSPERTKJENNDOM.



BEMERK FØR DU FJERNER PANELENE FRA PUNKTSEISEBRENNEREN OG GÅR BORT I DENS INNVENDIGE DELER, SKAL DU FORSIKRE DEG OM AT PUNKTSEISEBRENNEREN ER SLÅTT FRA OG FRAKØPLET FRA DET ELEKTRISKE STRØMNETTET OG DET PNEUMATISKE NETTET (hvis tilgjengelig).

Eventuelle sjekker som blir utført med spenning i punktseisebrenneren kan føre til alvorlige elektriske støter ifølge direktekontakten med de strømførende delene og/eller skader som beror på direktekontakt med de beveglige delene.

Regelmessig og i hvert fall i samsvar med bruket og miljøforholdene, skal du inspisere punktseisebrenneren innvendig og fjerne støv og metallpartikler som fastner på transformatoren, tyrstormodulen, diodmodulen, strømforsyningens kabelfeste osv. med tør trykkluft (maks. 5 bar).

Unngå å rette trykkluftstrålen direkte mot de elektroniske kortene. Rengjør dem eventuelt med en myk børste og egnet rengjøringsmidler.

I dette tilfelle:

- Kontroller at kablasjets isolering ikke er skadd eller at koplingene ikke løsnet eller er oksidert.
 - Smør ledder og stift.
 - Kontroller at skruene for kopling av transformatorens sekundære enhet til armholdene er ordentlig strammet og at der ikke er tegn på oksidering eller overhetning. Dette gjelder også for armenes lukkeskruer og elektroholdene.
 - Kontroller at skruene for tilkopling av transformatoren til stengene/utgangsfløtene er godt strammet og at der ikke er tegn på oksidering eller overhetning.
 - Kontroller kontinuiteten i maskinens jordeledning med sveisekretsen (elektroder).
 - Kontroller at skruene for kopling av den sekundære enheten til transformatoren (hvis tilgjengelig) er godt strammet og at der ikke er tegn på oksidering eller overhetning.
 - Etter utført vedlikeholdsarbeid eller reparasjon, skal du tilbake stille koplingene eller kablasjen som den var opprinnelig og forsikre deg om at de ikke kommer bort i de beveglige delene eller deler som når høye temperaturer. Linde alle ledninger som de var opprinnelig og forsikre det om å holde koplingene i hovedenheten i høy spenning og de sekundære i lav spenning.
- Bruk alle brikken og originalskrue for å montere dekslet.

7.3 FEILSØKING

VED EN EVENTUELT UTILSTREKkelig FUNKSJON OG FØR DU UTFØRER MER SYSTEMATISKE KONTROLLER ELLER HENVENDER DEG TIL VERKSTEDET FOR REPARASJON, SKAL DU KONTROLLERE DISSE PUNKTENE:

- Med aktivert sveisespak, blir mikrobryteren nedtrykt for å gi klartegn til det elektroniske kortet for sveising.
- Inget termisk verneutstyr er blitt aktivert.
- Elementene som tilhører delene på den sekundære kretsen (armholder- armer- elektroholder) er ikke effektive ifølge skruer som løsnet eller blitt utsatt for oksidering.
- Sveiseparametrene (kraft og elektrodiameter, sveisetid) er ikke egnet til arbeidet som blir utført.

1. VASTUSHITSAUSLAITTEEN YLEINEN TURVALLISUUS.....	47	6.2.1 6.9kA-mallit.....	48
2. JOHDANTO JA YLEISKUVAUS.....	48	6.2.2 5.8kA-mallit.....	49
2.1 JOHDANTO.....	48	6.3 MENETTELY.....	49
2.2 SARJAN VARUSTEET.....	48	7. HUOLTO.....	49
2.3 TILATTAVAT LISÄVARUSTEET.....	48	7.1 TAVALLINEN HUOLTO.....	49
3. TEKNISET TIEDOT.....	48	7.2 ERIKOISHUOLTO.....	49
3.1 TYYPIKILPI (KUVA A).....	48	7.3 VIANETSINTÄ.....	49
3.2 MUUT TEKNISET TIEDOT.....	48		
4. PISTEHITSAUSKONEEN KUVAUS.....	48		
4.1 TÄRKEIMMÄT KOMPONENTIT JA SÄÄDÖT (KUVA B).....	48		
4.2 OHJAUSPÖYTÄ (vain 6.9kA-malleissa) (KUVA C).....	48		
5. ASENNUS.....	48		
5.1 VALMISTELU.....	48		
5.2 NOSTOTAPA.....	48		
5.3 PISTEHITSAUSKONEEN SIOITTAMINEN.....	48		
5.4 VERKKOON KYTKENTÄ.....	48		
5.4.1 Varoitukset.....	48		
5.4.2 Pistoke ja pistorasia.....	48		
6. HITAUS (Pistehitsaus).....	48		
6.1 ALKUVALMISTELUT.....	48		
6.2 PARAMETRIEN SÄÄTÖ.....	48		

VASTUSHITSAUSLAITTEET TEOLLISEEN JA AMMATTILAIKÄYTTÖÖN

Huomio: seuraavassa tekstissä käytetään termiä "pistehitsauslaite".

1. VASTUSHITSAUSLAITTEEN YLEINEN TURVALLISUUS

Käyttäjää on opastettava riittävästi pistehitsauslaitteen käytöstä, vastushitsaukseen liittyvien menetelmien riskeistä sekä suoja-toimenpiteisiin ja hätätilanteisiin liittyvistä menetelmistä.



- Tee sähkökytkentä siihen kuuluvien normien ja tapaturmanehkäisy lakien mukaisesti.
- Pistehitsauslaite voidaan kytkeä ainoastaan virransyöttöjärjestelmään, jossa on maadoitettu nollajohdin.
- Varmista, että sähköpistorasia on kytketty oikein maasulkusuojaukseen.
- Älä käytä kaapeleita, joiden eristys on huonontunut tai liitokset löystyneet.
- Käytä pistehitsauslaitetta ilman lämpötilan ollessa välillä 5°C - 40°C ja suhteellisen kosteuden ollessa yhtä kuin 50 % alle 40°C lämpötilassa ja 90 % alle 20°C lämpötilassa.
- Älä käytä pistehitsauslaitetta kosteassa tai märässä ympäristössä tai saateissa.
- Kytkettäessä hitsauskaapeleita ja mitä tahansa tavallista huoltotoimenpidettä tehtäessä varsille ja/tai elektrodeille pistehitsauslaitteen on oltava sammutettu ja irtikytketty sähkö- ja paineilma- verkosta (jos mukana). Samoin vesiverkostoon tai jäähdytyslaitteeseen suljetulla piirillä kytkettäessä (vesijäähdytykseen pistehitsauslaitteet) ja joka tapauksessa korjauksia varten (erikoishuoltotyöt).



- Laitteen käyttö on kielletty räjähdysriskialueiksi luokitelluissa ympäristöissä kaasujen, pölyjen tai sumujen vuoksi.
- Älä hitsaa säiliöiden, astioiden tai putkistojen päällä, jotka sisältävät tai ovat sisältäneet syttyviä nesteitä tai kaasuja.
- Vältä työskentelemistä klooratuilla liuottimilla puhdistetuilla materiaaleilla tai keusteiden aineiden läheisyydessä.
- Älä hitsaa paineenalaisilla säiliöillä.
- Vie kaikki syttyvät aineet (esim. puu, paperi, pyyhkeet jne.) pois työalueelta.
- Anna vastahitsatun kappaleen jäähtyä! Älä laita kappaletta syttyvien aineiden lähelle.
- Varmista sopiva ilmanvaihto tai asianmukaiset laitteet hitsaussavujen poistamiseksi elektrodien läheisyydestä; on välttämätöntä arvioida systemaattisesti hitsaussavuille altistumisraajat niiden kustomuksen, tiiviiden sekä itse altistumisen keston mukaan.



- Suojaa silmät aina siihen tarkoitetuilla suojalaseilla.
- Käytä suojakäsineitä ja -varusteita, jotka sopivat vastushitsaukseen.
- Meluisuus: jos erityisen voimakkaiden hitsauslaitteiden takia päivittäinen henkilön altistumistaso (LEP,d) on yhtä kuin tai suurempi kuin 85dB(A), on pakollista käyttää asianmukaisia henkilönsuojavälineitä.



- Pistehitsausvirran kulku synnyttää sähkömagneettisia kenttiä (EMF) pistehitsauspiirin ympärillä.

Sähkömagneettiset kentät voivat haitata joitakin lääkinnällisiä laitteita (esim. Pace-maker, hengityslaitteet, metalliproteesit jne.). On huolehdittava asianmukaisista suoja-toimenpiteistä näitä laitteita käyttävien kanssa. Esimerkiksi pistehitsauslaitteen käyttöalueelle tulon estäminen. Tämä pistehitsauslaite vastaa teolliseen ympäristöön ammattilaiskäyttöön tarkoitettua tuotteen teknisiä standardeja. Ei taata vastaavuutta perusrajojen kanssa liittyen henkilön sähkömagneettisille kentille altistumiseen kotiympäristössä.

Käyttäjän on huolehdittava seuraavista toimenpiteistä sähkömagneettisille kentille altistumisen vähentämiseksi:

- Kiinnitä kokonaisuus mahdollisimman lähelle kahta pistehitsauskaapelia (jos mukana).
- Pidä pää ja vartalon yläruumis mahdollisimman kaukana pistehitsauspiiristä.

- Älä koskaan kierrä pistehitsauskaapeleita (jos mukana) vartalon ympärille.
- Älä pistehitsaa vartalon keskellä pistehitsauspiiriä. Pidä molemmat kaapelit samalla puolella vartaloa.
- Kytke pistehitsausvirran paluukaapeli (jos mukana) pistehitsattavaan kappaleeseen mahdollisimman lähelle tehtävää liitosta.
- Älä pistehitsaa ollessasi lähellä, istuen tai nojaten pistehitsauslaitteeseen (minimietäisyys: 50 cm).
- Älä jätä ferromagneettisia esineitä pistehitsauspiirin lähelle.
- Minimietäisyys:
 - d= 3cm, f= 50cm (KUVA G);
 - d= 3cm, f= 50cm (KUVA H);
 - d= 30cm (KUVA I);
 - d= 20cm (KUVA L) Studder.



- A-luokan laitteistot: Tämä pistehitsauslaite vastaa ainoastaan teollisessa ympäristössä ammattilaiskäyttöön tarkoitettua tuotteen teknisen standardin vaatimuksia. Ei taata vastaavuutta sähkömagneettisen yhteensopivuuden kanssa asuinrakennuksissa tai rakennuksissa, jotka on liitetty suoraan matalajännitteiseen sähköverkkoon kotitalouksia varten.

KÄYTTÖTARKOITUS

Asennusta on käytettävä yhden tai useamman teräksisen tai vähähiilisen, erinmuotoisen tai -kokoisen pellen pistehitsaukseen tehtävän työn mukaisesti.



JÄÄNNÖSRISKIT

YLÄOSIEN LITISTYMISRISKI

ÄLÄ LAITA KÄSIÄ LIIKKUVIEN OSIEN LÄHELLE!

Pistehitsauslaitteen toimintatapa ja työstettävän kappaleen vaihteleva muoto ja koko estävät sisäänrakennetun suojan toteuttamisen yläosien litistymistä vastaan: sormet, käsi, kyynärvarsi.

On pienennettävä riskiä käyttämällä sopivia ennaltaehkäisykeinoja:

- Käyttäjän on oltava asiantuntija tai koulutettu vastushitsausmenettelyä varten tällaisilla laitteistoilla.
- On tehtävä riskiarviointi jokaista työtyyppiä varten; on välttämätöntä varata välineet ja suojat tukemaan ja ohjaamaan työstettävää kappaletta niin, että kädet pysyvät loitolla vaaralliselta alueelta elektrodien luota.
- Mikäli käytössä on kannettava pistehitsauslaite: pidä pihdistä tiukasti kahdella kädellä niille tarkoitettuista kädenpidikkeistä; pidä kädet aina loitolla elektrodeista.
- Kaikissa tapauksissa, joissa kappaleen muoto mahdollistaa sen, säädä elektrodien etäisyys niin, ettei ylitetä 6 mm:n liikevaraa.
- Estä useamman henkilön työskentelyä yhtä aikaa pistehitsauslaitteella.
- Työalueelle ei saa päästää asiattomia henkilöitä.
- Älä jätä pistehitsauslaitetta valvomatta: mikäli se on välttämätöntä, irtikytkä se sähköverkosta; paineilmasyliinterikäyttöisillä pistehitsauslaitteilla laita yleiskatkaisin "O"-asentoon ja lukitse se varusteissa olevalla lukossa, ota avain pois, jolloin vastuuhenkilö säilyttää sitä.
- Käytä ainoastaan laitteelle tarkoitettuja elektrodeja (katso varaosaluettelo) vaihtamatta niiden muotoa,

PALOVAARA

Jotkut pistehitsauslaitteen osat (elektrodit - varret ja niiden läheiset osat) voivat saavuttaa yli 65°C lämpötilan: on välttämätöntä käyttää asianmukaisia suojavarusteita.

Anna vastahitsatun kappaleen jäähtyä ennen siihen koskettamista!

KALLISTUMIS- JA KAATUMISRISKI

- Sijoita pistehitsauslaite vaakaasuuntaiselle alustalle, jonka kantokyky kestää sen painon; kiinnitä pistehitsauslaite tukialustaan (ohjekirjan kohdan "ASENNUS" mukaisesti). Päinvastaisessa tapauksessa: kallellaan olevat tai irralliset lattiat ja liikkuvat tukialustat, on olemassa kaatumisvaara.
- On kiellettyä nostaa pistehitsauslaitetta paitsi ohjekirjan kohdassa "ASENNUS" erityisesti ilmoitetuissa tarkoituksessa.
- Mikäli käytetään liikkuvia laitteita: irrota pistehitsauslaite sähkö- ja paineilma- verkosta (jos mukana) ennen laitteen siirtämistä toiselle työalueelle. Kiinnitä huomiota esteisiin ja maan kovuuteen (esim. kaapelit ja putket).

VÄÄRÄNLAINEN KÄYTTÖ

On vaarallista käyttää pistehitsauslaitetta mihin tahansa muuhun tarkoitukseen kuin mihin se on tarkoitettu (katso KÄYTTÖTARKOITUS)

- sijoitettua näppäintä käyttäen (2 - KUVA C);
 - valitse pistehitsausyppä (jatkuva tai sykemäinen) näppäintä käyttäen (3 - KUVA C).
- Default-pistehitsausajan korjaaminen on mahdollista, jos tarpeellista, säädettyissä ylä- ja alarajoissa näppäimen avulla (1 - KUVA C).

6.2.2 5.8kA-malli:

Sääda pistehitsausaika pistehitsauskoneen takaosaan sijoitetun potentiometrin avulla (9 - KUVA B1); käytä mahdollisimman matalia arvoja yhteensopivasti pisteen oikeanlaisen toteutuksen kanssa (katso: 6.3 MENETTELY).

6.3 MENETTELY

Pistehitsauskoneen varustamisen jälkeen seuraa seuraavia ohjeita pistehitsauksen toteuttamiseksi:

- aseta alaelektrodi pistehitsattavalle levyille;
- käynnistä lopuksi pihlien vivusta ja jatka siihen asti, että painat microswitch:ä (8-KUVA B) saavuttaen:
 - a) levyjen sulkeutuminen elektrodien väliin etukäteen säädettyllä voimakkuudella;
 - b) hitsausvirrankulku esisäädetyin ajan mukaan.
- päästä pihlien vipu muutama hetki myöhemmin. Tämä viivästyttäminen (pitäminen), antaa pisteelle parhaat mekaaniset ominaisuudet.

Jos ei ole kokemusta, on hyvä kokeilla ensin pistehitsausta käyttämällä paksuudeltaan samanlaisia peltejä kuin aiotaan käyttää työstössä. Pistehitsaus on suoritettu oikein, kun koekappaletta vetämällä hitsauspisteen keskus irtoaa yhdestä levystä.



HUOMIO! Pistehitsauslaite on varustettu suojajohtimella, joka yhdistää hitsauspiirin suoraan maadoitukseen.

Hitsaa ainoastaan, jos yhdistettävien peltien maadoitus on eristetty!

Päinvastaisessa tapauksessa keskeytä heti hitsaus ja tarkastuta laitteiston ja pistehitsauslaitteen suojajohdin asiantuntijalla tai teknisen alan koulutuksen saaneella henkilöllä.

7. HUOLTO



HUOMIO! ENNEN HUOLTOTOIMENPITEIDEN TEKEMISTÄ VARMISTA, ETTÄ PISTEHITSAUSLAITE ON SAMMUTETTU JA IRTIKYTKETTY SÄHKÖVERKOSTA JA PAINEILMASYÖTÖSTÄ (jos mukana).

Versioissa pneumaattisylinterillä on välttämätöntä lukita katkaisin asentoon "O" varusteissa olevalla lukolla.

7.1 TAVALLINEN HUOLTO

KÄYTTÄJÄ VOI TEHDÄ TAVALLISET HUOLTOTOIMENPITEET.

- elektrodin pään halkaisijan ja profiilin sovitus/ennalleen palautus;
- elektrodien tasauksen tarkastus;
- jousen kuormituksen tarkastus (elektrodien voima);
- pistehitsauslaitteen ja pihdin sähköjohdon eheyden tarkastus.
- elektrodien ja varsien vaihto;

7.2 ERIKOISHUOLTO

AINOASTAAN ASIAANTUNTEVA TAI SÄHKÖMEKANIikka-ALAN KOULUTUKSEN SAANUT HENKILÖ SAA SUORITTA A ERIKOISHUOLTOTOIMENPITEET.



HUOMIO! ENNEN PISTEHITSAUSLAITTEEN PANEELIEN IRROTTAMISTA JA SEN SISÄLLE KOSKEMISTA VARMISTA, ETTÄ PISTEHITSAUSLAITE ON SAMMUTETTU JA IRROTETTU SÄHKÖVERKOSTA JA PAINEILMASYÖTÖSTÄ (jos mukana).

Mahdolliset tarkastukset silloin, kun pistehitsauslaitteessa on jännite, voivat aiheuttaa vakavan sähköiskun, joka johtuu suorasta kosketuksesta jännitteisten osien kanssa ja/tai vahingoista johtuen suorasta kosketuksesta liikkuviin osiin. Tarkasta jaksoittain ja joka tapauksessa käytön ja ympäristön olosuhteiden mukaan pistehitsauslaitteen sisäpuoli ja poista kuivalla paineilmasuihkulla (max 5 baaria) pöly sekä metallihiukkaset, jotka ovat kerääntyneet muuntajalle, tyristorimoduulille, diodimoduulille, sähköliitäntäkotelolle jne.

Vältä paineilmasuihkun suuntaamista elektronisille korteille; huolehdi niiden mahdollisesta puhdistuksesta hyvin pehmeällä harjalla tai sopivilla liuottimilla.

Samalla:

- tarkasta, ettei kaapeloinneissa ole vaurioita eristyksessä tai löystyneitä - hapettuneita liitoksia.
 - voitele palloliittimet ja tapit.
 - tarkasta, että muuntimen sekundaarin liitosruuvit varrenkannattimien liitoskohtiin on hyvin kiristetty eikä niissä ole merkkejä hapettumisesta tai ylikuumentumisesta; samoin varsien ja elektrodien kannattimien lukitusruuveille.
 - tarkasta, että muuntimen sekundaarin liitosruuvit tankoihin / ulostulopunkokseen on hyvin kiristetty eikä niissä ole merkkejä hapettumisesta tai ylikuumentumisesta.
 - tarkasta laitteen maadoituspiirin jatkuvuus hitsauspiirin kanssa (elektrodit).
 - tarkasta, että muuntimen sekundaarin liitosruuvit (jos mukana) on hyvin kiristetty eikä niissä ole merkkejä hapettumisesta tai ylikuumentumisesta.
 - Huollon tai korjauksen jälkeen palauta ennalleen liitokset ja kaapeloinnin, kuten ne olivat alunperin huolehtien, etteivät ne joudu kosketukseen liikkuvien tai kovasti kuumenevien osien kanssa. Sido kaikki johtimet alkuperäisellä tavalla huolehtien, että suurjännitteisen ensiön liitokset ja matalajännitteiset sekundaarin liitokset pysyvät hyvin erillään toisistaan.
- Käytä kaikki aluslevyt ja alkuperäiset ruuvit rungon sulkemiseen.

7.3 VIANETSINTÄ

JOS TOIMINTA EI VASTAA ODOTUKSIA, ENNEN JÄRJESTELMÄLLISTEN TARKASTUSTEN TEKEMISTÄ TAI YHTEYDENOTTOA HUOLTOON, TARKASTA:

- Kun hitsausvipua käytetään microswitch tulee painetuksi antaen elektroniselle kortille luvan hitsausta varten.
- Lämpösuojat eivät ole keskeyttäneet.
- Sekundaariin kuuluvat osat (varrenkannattimien liitoskohdat - varret - elektrodinkannattimet) eivät ole tehottomia löystyneiden ruuvien tai hapettumien takia.
- Hitsausparametrit (elektrodien voima ja halkaisija, hitsausaika) eivät ole epäsojivat tehtävään työhön.

	str.	str.
1. ZÁKLADNÍ BEZPEČNOSTNÍ POKYNY PRO ODPOROVÉ SVAŘOVÁNÍ	50	
2. ÚVOD A ZÁKLADNÍ POPIS	51	
2.1 ÚVOD	51	
2.2 STANDARDNÍ PŘÍSLUŠENSTVÍ	51	
2.3 VOLITELNÉ PŘÍSLUŠENSTVÍ DODÁVANÉ NA PŘÁNÍ	51	
3. TECHNICKÉ ÚDAJE	51	
3.1 IDENTIFIKAČNÍ ŠTÍTEK (OBR. A)	51	
3.2 DALŠÍ TECHNICKÉ ÚDAJE	51	
4. POPIS BODOVAČKY	51	
4.1 HLAVNÍ SOUČÁSTI A OVLÁDACÍ PRVKY (OBR. B)	51	
4.2 OVLÁDACÍ PANEL (pouze pro modely 6.9kA) (OBR. C)	51	
5. INSTALACE	51	
5.1 MONTÁŽ	51	
5.2 ZPŮSOB ZVEDÁNÍ	51	
5.3 UMÍSTĚNÍ	51	
5.4 PŘIPOJENÍ DO SÍTĚ	51	
5.4.1 Upozornění	51	
5.4.2 Zástrčka a zásuvka	51	
6. SVAŘOVÁNÍ (Bodování)	51	
6.1 PŘÍPRAVNÉ ÚKONY	51	
6.2 NASTAVENÍ PARAMETRŮ	52	
6.2.1 Modely 6.9kA	52	
6.2.2 Model 5.8kA	52	
6.2.3 PRACOVNÍ POSTUP	52	
7. ÚDRŽBA	52	
7.1 ŘÁDNÁ ÚDRŽBA	52	
7.2 MIMOŘÁDNÁ ÚDRŽBA	52	
7.3 ODŠTĚŘOVÁNÍ PORUCH	52	

ZAŘÍZENÍ PRO ODPOROVÉ SVAŘOVÁNÍ PRO PRŮMYSLOVÉ A PROFESIONÁLNÍ POUŽITÍ.

Poznámka: V následujícím textu bude použit výraz „bodovačka“ na označení bodovacího svařovacího přístroje.

1. ZÁKLADNÍ BEZPEČNOSTNÍ POKYNY PRO ODPOROVÉ SVAŘOVÁNÍ

Operátor musí být dostatečně vyškolen k bezpečnému použití bodovačky a musí být informován o rizicích spojených s postupy při svařování obloukem, o příslušných ochranných opatřeních a o postupech v nouzovém stavu.



- Vykonejte elektrickou instalaci v souladu s platnými předpisy a zákony pro zabránění úrazům.
- Bodovačka musí být připojena výhradně k napájecímu systému s uzemněným nulovým vodičem.
- Ujistěte se, že je napájecí zásuvka řádně připojena k ochrannému zemnicímu vodiči.
- Nepoužívejte kabely s poškozenou izolací nebo s uvolněnými spoji.
- Bodovačku používejte v prostředí s teplotou vzduchu od 5°C do 40°C při relativní vlhkosti 50%, až po teploty od 40°C a 90% pro teploty až do 20°C.
- Nepoužívejte bodovačku ve vlhkém, mokřem prostředí nebo za deště.
- Zapojení svařovacích kabelů a jakýkoli úkon řádné údržby na ramenech a/ nebo elektrodách musí být proveden při vypnuté bodovačce, odpojené od rozvodů elektrického a pneumatického (je-li součástí) napájení. Stejný postup je třeba dodržet také při připojování k rozvodu vody nebo k chladicí jednotce s uzavřeným okruhem (bodovačky chlazené vodou) a v každém případě pro úkony oprav (mimořádná údržba).



- Je zakázáno používat zařízení v prostředích s prostory klasifikovanými jako prostory s rizikem výbuchu z důvodu přítomnosti plynů, prachů nebo aerosolů.
- Nesvařujte na nádobách, zásobnících nebo potrubích, které obsahují nebo obsahovaly zápalné kapalné nebo plynné produkty.
- Vyhnete se činnosti na materiálech vyčištěných chlorovými rozpouštědly nebo svařování v blízkosti jmenovaných látek.
- Nesvařujte na zásobnících pod tlakem.
- Odstraňte z pracovního prostoru všechny zápalné látky (např. dřevo, papír, hadry, atd.)
- Právě svařený díl nechte ochladit! Neumísťujte jej do blízkosti zápalných látek.
- Zabezpečte vhodnou výměnu vzduchu nebo prostředky pro odstraňování kouře vznikající při svařování z blízkosti elektrod; vyhodnocování mezních hodnot expozice vůči kouři vznikajícímu při svařování v závislosti na jeho složení, koncentraci a délce samotné expozice vyžaduje systematický přístup.



- Pokaždé si chraňte oči příslušnými ochrannými brýlemi.
- Používejte ochranné rukavice a další osobní ochranné prostředky, vhodné pro pracovní činnosti s odporovým svařováním.
- Hlučnost: Když je v případě mimořádné intenzivních operací svařování hodnota denní hladiny osobní expozice hluku (LEP,d) rovna 85db(A) nebo tuto hodnotu převyšuje, je povinné používat vhodné osobní ochranné prostředky.



- Průchod svařovacího proudu způsobuje vznik elektromagnetických polí (EMF) v okolí svařovacího obvodu.

Elektromagnetická pole mohou ovlivňovat činnost některých zdravotních zařízení (např. pacemakerů, respirátorů, kovových protéz apod.). Proto je třeba přijmout náležitá ochranná opatření vůči nositelům těchto zařízení. Například zakázat jejich přístup do prostoru použití bodovačky. Tato bodovačka vyhovuje požadavkům technického standardu výrobku určeného pro výhradní použití v průmyslovém prostředí, k profesionálnímu účelům. Dodržení základních mezních hodnot týkajících se lidské expozice vůči

elektromagnetickým polím není v domácím prostředí zaručeno.

Obsluha musí používat následující postupy, aby snížila expozici vůči elektromagnetickým polím:

- Připevnit oba bodovací kabely (jsou-li součástí) společně co nejbližší.
- Udržovat hlavu a trup co nejdále od bodovacího obvodu.
- Nikdy si neovíjet bodovací kabely (jsou-li součástí) kolem těla.
- Nesvařovat s tělem nacházejícím se uprostřed bodovacího obvodu. Udržovat oba kabely na stejné straně těla.
- Připojit zemnicí kabel bodovacího proudu (je-li součástí) k dílu určenému k bodování, co nejbližší k realizovanému spoji.
- Neprovádět bodování v blízkosti bodovačky ani na ní nesedět a neopírat se o ní (minimální vzdálenost: 50cm).
- Nenechávat feromagnetické předměty v blízkosti bodovacího obvodu.
- Minimální vzdálenost:
 - d = 3cm, f = 50cm (OBR. G);
 - d = 3cm, f = 50cm (OBR. H);
 - d = 30cm (OBR. I);
 - d = 20cm (OBR. L) Studer.



- Zařízení třídy A:

Tato bodovačka vyhovuje požadavkům technického standardu výrobku určeného pro výhradní použití v průmyslovém prostředí, k profesionálnímu účelům.

Není zajištěna elektromagnetická kompatibilita v domácích budovách a v budovách přímo připojených k napájecí síti nízkého napětí, která zásobuje budovy pro domácí použití.

URČENÉ POUŽITÍ

Zařízení musí být používáno pro bodování jednoho nebo více ocelových plechů s nízkým obsahem uhlíku, různých tvarů a rozměrů, v závislosti na potřebné pracovní činnosti.



ZBYTKOVÁ RIZIKA RIZIKO PŘITLAČENÍ HORNÍCH KONČETIN NEPŘIBLIŽUJTE RUCI K POHYBUJÍCÍM SE SOUČÁSTEM!

Režim činnosti bodovačky a různorodost tvarů a rozměrů obráběného dílu brání realizaci integrální ochrany proti nebezpečí přitlačení horních končetin: prstů, ruky a předloktí.

Riziko musí být sníženo přijetím vhodných preventivních opatření:

- Obsluha musí být tvořena zkušeným personálem nebo personálem vyškoleným ohledně procesu odporového svařování s tímto druhem zařízení.
- Musí být provedeno vyhodnocení rizika pro každý druh prováděné pracovní činnosti; je třeba připravit zařízení a masky sloužící k držení a vedení obráběného dílu kvůli oddělení rukou od nebezpečného prostoru odpovídajícího elektrodám.
- V případě použití přenosné bodovačky: Pevně uchopte kleště, tak, že umístíte obě ruce na příslušné rukojeti; udržujte vždy ruce v dostatečné vzdálenosti od elektrod.
- Pokaždé, když to tvar dílu umožňuje, je třeba seřadit vzdálenost elektrod tak, aby nedošlo k překročení dráhy 6 mm.
- Zabraňte tomu, aby s bodovačkou pracovalo více osob současně.
- Musí být zabráněno přístupu cizích osob do pracovního prostoru.
- Nenechávejte bodovačku bez dozoru: V takovém případě je povinné odpojit ji od napájecí sítě; u bodovaček aktivovaných prostřednictvím pneomotoru přepněte hlavní vypínač do polohy „O“ a zajistěte jej visacím zámkem z příslušenství; klíč musí být uschován u odpovědného vedoucího.
- Používejte výhradně elektrody určené pro daný stroj (viz seznam náhradních dílů) bez změny jejich tvaru.

RIZIKO POPÁLENÍ

Některé součásti bodovačky (elektrody - ramena a přilehlé plochy) mohou dosahovat teploty vyšší než 65°C: je třeba používat vhodný ochranný oděv. Dříve, než se dotknete právě svařeného dílu, nechte jej ochladit!

RIZIKO PŘEVŘÁCENÍ A PÁDU

- Umístěte bodovačku na vodorovný povrch s nosností odpovídající její hmotnosti; připevněte ji k úložné ploše (je-li to vyžadováno v části „INSTALACE“ tohoto návodu). V opačném případě, na nakloněné nebo nesouvislé podlaze nebo na pohyblivých úložných plochách, existuje riziko převrácení.

elektrod; zašroubujte šroub 3 (pr.M6) z příslušenství do otvoru 1, aby byla zajištěna páka ve vhodné poloze pro provedení seřízení síly, - zajištěte ve správné poloze horní elektrodu a důkladně dotáhněte její šroub, - seřídte sílu, kterou elektrody působí ve fázi bodování OBR. E, prostřednictvím seřizovacího šroubu (1), s použitím klíče z příslušenství; hodnota nastavená v závislosti na poloze indexu na ocejchované stupnici je uvedena na OBR. F. v TAB. 6 je uvedena hodnota síly, kterou lze získat při jednotlivých délkách ramen. Zašroubujte ve směru hodinových ručiček (doprava) za účelem zvýšení síly uměrně tloušťce plechů, v každém případě však zvolte seřízení, které umožní zavěnit kleští a příslušnou aktivaci mikrosplínače při použití malé síly.

6.2 NASTAVENÍ PARAMETRŮ

6.2.1 Modely 6.9kA:

- Zvolte tloušťku plechu určeného k bodování s použitím tlačítka (2 - OBR. C) umístěného na ovládacím panelu bodovačky;
- zvolte druh bodování (plynulý nebo pulzní) s použitím tlačítka (3 - OBR. C). Podle potřeby je možné provádět korekci přednastavené doby bodování v kladném i záporném směru s použitím tlačítka (1 - OBR. C).

6.2.2 Model 5.8kA:

Seřídte dobu bodování s použitím potenciometru (9 - OBR. B1) umístěného na zadní straně bodovačky; používejte nejnižší možné hodnoty, kompatibilně se správnou realizací bodového svaru (viz : 6.3 PRACOVNÍ POSTUP).

6.3 PRACOVNÍ POSTUP

Po zapnutí napájení bodovačky je třeba provést následující úkony za účelem realizace bodování:

- Uložte na spodní elektrodu plech určený k bodování;
- aktivujte páku kleští až na doraz, to znamená až po stisknutí mikrosplínače (8 - OBR. B), čímž dojde k:
 - a) Zavření plechů mezi elektrody přednastavenou silou;
 - b) průchodu svařovacího proudu po přednastavenou dobu.
- Po několika okamžicích uvolněte páku kleští. Toto opoždění (udržování) uděluje bodovému svaru lepší mechanické vlastnosti.

V případě chybějící specifické zkušenosti je vhodné provést některé zkoušky bodování s použitím kousků plechů stejného druhu a tloušťky, jakými se vyznačují plechy, na kterých má být vykonána pracovní činnost.

Bodový svar se považuje za správně provedený, když poté, co je vzorek podroben zkoušce v tahu, dojde k vytažení jádra bodu svaru z jednoho ze dvou plechů.



UPOZORNĚNÍ! Bodovačka je vybavena ochranným vodičem, který spojuje svařovací obvod přímo s uzemněním.

Bodování provádějte pouze v případě, když jsou plechy, které mají být spojené, odizolované od zemnicího obvodu!

V opačném případě okamžitě přerušte svařovací práce a nechte zkontrolovat ochranný vodič rozvodu a bodovačky osobou s kvalifikací nebo zkušenostmi v technické oblasti.

7. ÚDRŽBA



UPOZORNĚNÍ! PŘED PROVÁDĚNÍM ÚKONŮ ÚDRŽBY SE UJISTĚTE, ŽE JE BODOVAČKA VYPNUTÁ A ODPOJENÁ OD ROZVODU ELEKTRICKÉHO A PNEUMATICKÉHO (je-li součástí) NAPÁJENÍ.

U bodovaček aktivovaných prostřednictvím pneomotoru je třeba zajistit hlavní vypínač v poloze „O“ visacím zámkem z příslušenství.

7.1 ŘÁDNÁ ÚDRŽBA

OPERACE ŘÁDNÉ ÚDRŽBY MŮŽE PROVÁDĚT OBSLUHA:

- přizpůsobení/obnovení průměru a profilu hrotu elektrody,
- kontrola vyrovnání elektrod,
- kontrola natažení pružiny (síly elektrod),
- kontrola neporušenosti napájecího kabelu bodovačky a kleští,
- výměna elektrod a ramen.

7.2 MIMOŘÁDNÁ ÚDRŽBA

ÚKONY MIMOŘÁDNÉ ÚDRŽBY MUSÍ BÝT PROVÁDĚNY VÝHRADNĚ PERSONÁLEM SE ZKŮŠENOSTMI NEBO S KVALIFIKACÍ Z ELEKTRO-STROJNÍ OBLASTI.



UPOZORNĚNÍ! PŘED SEJMUTÍM PANELŮ BODOVAČKY A PŘÍSTUPEM K JEJÍMU VNITŘKU SE UJISTĚTE, ŽE JE BODOVAČKA VYPNUTÁ A ODPOJENÁ OD ELEKTRICKÉHO I PNEUMATICKÉHO (je-li součástí) NAPÁJENÍ.

Případné kontroly prováděné uvnitř bodovačky pod napětím mohou způsobit zásah elektrickým proudem s vážnými následky, způsobenými přímým stykem se součástmi pod napětím a/nebo přímým stykem s pohyblivými se součástmi. Pravidelně a v každém případě v intervalech odpovídajících použití a podmínkám prostředí zkontrolujte vnitřek bodovačky a odstraňte prach a kovové částice, které se uložily na transformátoru, modulu tyristorů, modulu diod, svorkovnici napájení apod. prostřednictvím proudu suchého stlačeného vzduchu (max. 5 bar).

Zabraňte nasměrování proudu stlačeného vzduchu na elektronické karty; zajištěte jejich případné očistění velmi jemným kartáčem nebo vhodnými rozpouštědly. Při této příležitosti:

- zkontrolujte, zda kabeláže nevykazují poškození izolace nebo uvolněné - zoxidované spoje,
- namažte klouby a čepy,
- zkontrolujte, zda jsou řádně dotažené spojovací šrouby spojení sekundárního vinutí transformátoru s odlitky držáků ramen a zda nevykazují stopy oxidace nebo přehřátí; platí to i pro pojistné šrouby ramen a držáků elektrod,
- zkontrolujte, zda jsou spojovací šrouby připojení sekundárního vinutí transformátoru k tyčím/výstupním pletencům dobře utažené a zda nevykazují stopy po oxidaci nebo přehřátí,
- zkontrolujte vodivost zemnicího obvodu stroje se svařovacím obvodem (elektrody),
- zkontrolujte, zda jsou spojovací šrouby sekundárního vinutí transformátoru (jsou-li součástí) dobře utažené a zda nevykazují stopy po oxidaci nebo přehřátí.
- Po provedení údržby nebo opravy obnovte všechna zapojení a kabeláže a vraťte je do původního stavu a dbejte přitom na to, aby nepřišli do styku s pohyblivými se součástmi nebo se součástmi, které mohou dosáhnout vysokých teplot. Upevněte všechny vodiče stahovacími páskami jako v původním stavu a řádně vzájemně oddělte připojení primárního vinutí transformátoru od nízkonapěťových vodičů sekundárního vinutí.

Použijte všechny originální podložky a šrouby pro zavěnění kovové konstrukce.

7.3 ODSTRAŇOVÁNÍ PORUCH

V PŘÍPADĚ NEUSPOKOJIVÉ ČINNOSTI A DŘÍVE, NEŽ PROVEDETE SYSTEMATICKÉ KONTROLY, NEBO NEŽ SE OBRÁTÍTE NA VAŠE SERVISNÍ STŘEDISKO, ZKONTROLUJTE, ZDA:

- Při aktivované páce svařování skutečně dochází ke stisknutí mikrosplínače a k aktivaci podmiňovacího signálu svařování pro elektronickou kartu.
- Nedošlo k zásahu tepelných ochranných.
- Prvky tvořící součást sekundárního obvodu (odlitky držáků ramen - ramena - držáky elektrod) nejsou neúčinné následkem uvolněných nebo zoxidovaných šroubů.
- Jsou parametry svařování (síla a průměr elektrod, doba svařování) vhodné pro prováděný druh pracovní činnosti.

	str.		str.
1. ZÁKLADNÉ BEZPEČNOSTNÉ POKYNY PRE ODPOROVÉ ZVÁRANIE	53	6.3 PRACOVNÝ POSTUP.....	55
2. ÚVOD A ZÁKLADNÝ POPIS	54	7. ÚDRŽBA	55
2.1 ÚVOD	54	7.1 RIADNA ÚDRŽBA	55
2.2 ŠTANDARDNÉ PRÍSLUŠENSTVO	54	7.2 MIMORIADNA ÚDRŽBA.....	55
2.3 VOLITELNÉ PRÍSLUŠENSTVO DODÁVANÉ NA ŽELANIE	54	7.3 ODSTRÁŇOVANIE PORÚCH.....	55
3. TECHNICKÉ ÚDAJE	54		
3.1 IDENTIFIKAČNÝ ŠTÍTOK (OBR. A).....	54		
3.2 ĎALŠIE TECHNICKÉ ÚDAJE	54		
4. POPIS BODOVAČKY	54		
4.1 HLAVNÉ SÚČASTI A OVLÁDACIE PRVKY (OBR. B)	54		
4.2 OVLÁDACÍ PANEL (len pre modely 6.9kA) (OBR. C).....	54		
5. INŠTALÁCIA	54		
5.1 MONTÁŽ	54		
5.2 SPÔSOB DVÍHANIA	54		
5.3 UMIESTNENIE	54		
5.4 PRIPOJENIE DO SIETE	54		
5.4.1 Upozornenia.....	54		
5.4.2 Zástrčka a zásuvka	54		
6. ZVÁRANIE (Bodovanie)	54		
6.1 PRÍPRAVNÉ OPERÁCIE	54		
6.2 NASTAVENIE PARAMETROV	55		
6.2.1 Modely 6.9kA.....	55		
6.2.2 Model 5.8kA.....	55		

ZARIADENIA PRE ODPOROVÉ ZVÁRANIE, URČENÉ PRE PRIEMYSELNÉ A PROFESIONÁLNE POUŽITIE.

Poznámka: V nasledujúcom texte bude použitý výraz „bodovačka“ na označenie bodového zväracieho prístroja.

1. ZÁKLADNÉ BEZPEČNOSTNÉ POKYNY PRE ODPOROVÉ ZVÁRANIE

Obsluha musí byť dostatočne vyškolená na bezpečné používanie bodovačky a musí byť informovaná o rizikách spojených s postupmi pri odporovom zváraní, o príslušných ochranných opatreniach a o postupoch v núdzovom stave.



- Vykonať elektrickú inštaláciu v súlade s platnými predpismi a zákonmi na predchádzanie úrazom.
- Bodovačka musí byť pripojená výhradne k napájaciu systému s uzemneným nulovým vodičom.
- Uistite sa, že napájacia zásuvka je správne pripojená a vybavená zemiacim vodičom.
- Nepoužívajte káble s poškodenou izoláciou alebo s uvoľnenými spojmi.
- Bodovačku používajte v prostredí s teplotou vzduchu od 5°C do 40°C pri relatívnej vlhкости 50%, až po teploty od 40°C a 90% pre teploty až do 20°C.
- Nepoužívajte bodovačku vo vlhkom alebo mokrom prostredí alebo za dažďa.
- Zapojenie zväracích káblov a akýkoľvek druh riadnej údržby na ramenách a/alebo elektródach musí byť vykonaný pri vypnutej bodovačke, odpojenej od rozvodov elektrického a pneumatického (ak je súčasťou) napájania.
- Rovnaký postup je potrebné dodržať aj pri pripájaní k rozvodu vody alebo k chladickej jednotke s uzatvoreným okruhom (bodovačky chladené vodou) a v každom prípade pri opravách (mimoriadna údržba).



- Je zakázané používať zariadenia v priestoroch, ktoré sú klasifikované ako priestory s rizikom výbuchu, pretože obsahujú plyny, prach alebo aerosóly.
- Nezávrajte na nádobách, zásobníkoch alebo potrubíach, ktoré obsahujú alebo obsahovali zápalné kvapalné alebo plynné látky.
- Vyhnete sa činnosti na materiáloch vyčistených chlórými alebo rozpúšťadlami alebo v blízkosti menovaných látok.
- Nezávrajte na zásobníkoch pod tlakom.
- Odstráňte z pracovného priestoru všetky zápalné látky (napr. drevo, papier, handry, atď.).
- Práve zvarený diel nechajte vychladnúť! Neumiestňujte ho do blízkosti zápalných látok.
- Zabezpečte vhodnú výmenu vzduchu alebo zariadenie na odstraňovanie dymu zo zvárania z blízkosti elektród; vyhodnocovanie medzných hodnôt vystaveniu sa dymom zo zvárania, v závislosti na ich zložení, koncentracii a dĺžke samotnej expozície, vyžaduje systematický prístup.



- Zakaždým si chráňte oči príslušnými ochrannými okuliarmi.
- Používajte ochranné rukavice a ďalšie osobné ochranné prostriedky, vhodné pre pracovné činnosti spojené s odporovým zváraním.
- Hlučnosť: Ak ste pri mimoriadne intenzívnych operáciách zvárania každodenne vystavení hlučným úrovňou (LEP,d) rovnajúcou sa alebo prevyšujúcou 85db(A), je povinné používať vhodné osobné ochranné prostriedky.



- Prechod zväracieho prúdu spôsobuje vznik elektromagnetických polí (EMF) v okolí bodovacieho obvodu.

Elektromagnetické polia môžu ovplyvňovať činnosť niektorých zdravotných zariadení (napr. pacemakerov, respirátorov, kovových protéz atď.).

Preto je potrebné prijať náležité ochranné opatrenia voči nositeľom týchto zariadení. Napríklad zákazom ich prístupu do priestoru použitia zväracieho prístroja.

Tento zvärací prístroj vyhovuje požiadavkám technického štandardu výroby, určeného pre výhradné použitie v priemyselnom prostredí a na profesionálne účely. Nie je zaručené dodržanie základných medzných hodnôt, týkajúcich sa

expozície osôb elektromagnetickým poľom v domácom prostredí.

Obsluha musí používať nasledujúce postupy, aby znížila expozíciu elektromagnetickým poľom:

- Pripevniť obidva bodovacie káble (ak sú súčasťou) spolu, podľa možnosti čo najbližšie.
- Udržovať hlavu a trup, čo možno najďalej od bodovacieho obvodu.
- Nikdy si neovíjať bodovacie káble (ak sú súčasťou) okolo tela.
- Nezávrajte tak, že sa budete nachádzať telom uprostred bodovacieho obvodu. Udržovať obidva káble na tej istej strane tela.
- Pripojiť zemiaci kábel bodovacieho prúdu (ak je súčasťou) ku dielu určenému na bodovanie, čo najbližšie k realizovanému spoju.
- Nebodovať v blízkosti bodovačky, ani na nej nesediť a neopierať sa o ňu (minimálna vzdialenosť: 50cm).
- Nenechávať feromagnetické predmety v blízkosti bodovacieho obvodu.
- Minimálna vzdialenosť:
 - d = 3cm, f = 50cm (OBR. G);
 - d = 3cm, f = 50cm (OBR. H);
 - d = 30cm (OBR. I);
 - d = 20cm (OBR. L) Studer.



- Zariadenie triedy A:

Táto bodovačka vyhovuje požiadavkám technického štandardu výroby, určeného pre výhradné použitie v priemyselnom prostredí a na profesionálne účely.

Nie je zaistená elektromagnetická kompatibilita v domácných budovách a v budovách priamo pripojených k napájacej sieti nízkeho napätia, ktorá zásobuje budovy pre domáce použitie.

URČENÉ POUŽITIE

Zariadenie musí byť používané pre bodovanie jedného alebo viacerých oceľových plechov s nízkym obsahom uhlíka, rôznych tvarov a rozmerov, v závislosti na ich spracovaní.



ZVYŠKOVÉ RIZIKÁ RIZIKO PRITLAČENIA HORNÝCH KONČATÍN NEPRIBLIŽUJTE RUKY K POHYBUJÚCIM SA ČASTIAM!

Režim činnosti bodovačky a rôznorodosť tvarov a rozmerov obrábaného dielu bráni realizácii integrálnej ochrany proti nebezpečenstvu prítlačenia horných končatín: prstov, ruky a predlaktia.

Riziko musí byť znížené prijatím vhodných preventívnych opatrení:

- Obsluha musí mať náležité skúsenosti, alebo musí byť vyškolená ohľadne procesu odporového zvárania s týmto druhom zariadení.
- Musí byť vykonané vyhodnotenie rizika pre každý druh pracovnej činnosti; je potrebné pripraviť zariadenie a prípravky slúžiace na držanie a vedenie obrábaného dielu, aby sa ruky nenachádzali v nebezpečnom priestore v blízkosti elektród.
- V prípade použitia prenosnej bodovačky: Pevne uchopte kliešte tak, že umiestnite obidve ruky na príslušné rukoväte; udržiajte vždy ruky v dostatočnej vzdialenosti od elektród.
- Zakaždým, keď to tvar dielu umožňuje, je potrebné nastaviť vzdialenosť elektród tak, aby nedošlo k prekročeniu dráhy 6 mm.
- Zabráňte tomu, aby s bodovačkou pracovalo viacero osôb súčasne.
- Musí byť zabránený prístup cudzích osôb do pracovného priestoru.
- Nenechávajte bodovačku bez dozoru: v takom prípade je povinné odpojiť ju od napájacej siete; pri bodovačkách aktívovaných prostredníctvom pneumotora prepnite hlavný vypínač do polohy „O“ a zaisťte ho visacím zámkom z príslušenstva; kľúč musí byť uschovaný u zodpovedného vedúceho.
- Používajte výhradne elektródy určené pre daný stroj (viď zoznam náhradných dielov) bez zmeny ich tvaru.

RIZIKO POPÁLENÍN

Niektoré súčasti bodovačky (elektródy - ramená a príslušné plochy) môžu dosahovať teploty vyššie ako 65°C: je potrebné používať vhodný ochranný odev.

Skôr, ako sa dotknete práve zvareného dielu, nechajte ho vychladnúť!

RIZIKO PREVRÁTENIA A PÁDU

- Umiestnite bodovačku na vodorovný povrch s nosnosťou odpovedajúcou

- povolte upevňovacie skrutky hornej elektródy, aby ste umožnili posuv do jej otvoru v ramene,
 - vložte medzi elektródy doštičku s hrúbkou odpovedajúcou plechom určeným na bodovanie,
 - **OBR. D** zatvorte páku 2, aby boli ramená paralelné a aby odpovedali hroty elektród; zaskrutkujte skrutku 3 (pr.M6) z príslušenstva, do otvoru 1, kvôli zaisteniu páky vo vhodnej polohe pre vykonanie nastavenia sily,
 - zaistite v správnej polohe hornú elektródu a dôkladne dotiahnite jej skrutku,
 - nastavte silu pôsobenia elektród vo fáze bodovania OBR. E, prostredníctvom nastavovacej skrutky (1), použitím kľúča z príslušenstva; nastavená hodnota, v závislosti od polohy indexu na očiachovanej stupnici, je uvedená na OBR. F. v TAB. 6 je uvedená hodnota prítaku, ktorý je možné dosiahnuť pri jednotlivých dĺžkach ramien.
- Zaskrutkujte ju v smere hodinových ručičiek, aby ste zvýšili silu úmerne hrúbke plechov, avšak v každom prípade zvolte nastavenie, ktoré umožní zatvorenie klieští a príslušnú aktiváciu mikrosopínača, pri použití malej sily.

- Po vykonaní údržby alebo opravy obnovte všetky zapojenia káblov a vráťte ich do pôvodného stavu, pričom dbajte, aby neprišli do styku s pohybujúcimi sa časťami alebo s časťami, ktoré môžu dosiahnuť vysoké teploty. Upevnite všetky vodiče sťahovacími páskami ako to bolo v pôvodnom stave a dostatočne vzájomne oddel'te pripojenia primárneho vinutia transformátora od nízkonapäťových vodičov sekundárneho vinutia.
- Použite všetky originálne podložky a skrutky na zatvorenie kovovej konštrukcie.

7.3 ODSTRANOVANIE PORÚCH V PRÍPADE NEUSPOKOJIVEJ ČINNOSTI A TIEŽ PRED VYKONANÍM SYSTEMATICKEJ KONTROLY, SKÔR, AKO SA OBRÁTITE NA VAŠE SERVISNÉ STREDISKO, SKONTROLUJTE, ČI:

- Pri aktivovanej páke zvárania skutočne dochádza k stlačeniu mikrosopínača a k aktivácii podmieňovacieho signálu zvárania pre elektronickú kartu.
- Nedošlo k zásahu tepelných ochrán.
- Sú prvky sekundárneho obvodu (odliatky držiakov ramien - ramená - držiakov elektród) sú funkčné a či skrutky nie sú uvoľnené alebo zoxídované.
- Parametre zvárania (sila a priemer elektród, doba zvárania) sú vhodné pre vykonávaný druh pracovnej činnosti.

6.2 NASTAVENIE PARAMETROV

6.2.1 Modely 6.9kA:

- zvolte hrúbku plechu určeného na bodovanie tlačidlom (2 - OBR. C), umiestnenom na ovládacom paneli bodovačky;
- zvolte druh bodovania (plynulý alebo pulzný) tlačidlom (3 - OBR. C).
Je možné vykonať korekciu prednastavenej doby bodovania, podľa potreby v kladnom i zápornom smere, tlačidlom (1 - OBR. C).

6.2.2 Model 5.8kA:

Nastavte dobu bodovania potenciometrom (9 - OBR. B1), umiestnenom na zadnej strane bodovačky; používajte najnižšie možné hodnoty, vhodné pre správnu realizáciu bodového zvaru (viď : 6.3 PRACOVNÝ POSTUP).

6.3 PRACOVNÝ POSTUP

Po zapnutí napájania bodovačky je potrebné pred podovaním vykonať nasledujúce úkony:

- uložte na spodnú elektródu plechy určené na bodovanie;
- aktivujte páku klieští až na doraz, to značí až po stlačenie mikrosopínača (8 - OBR. B), čím dôjde k:
 - a) Stlačeniu plechov medzi elektródy prednastavenou silou;
 - b) prechodu zväracieho prúdu po prednastavenej dobe.
- po chvíli uvoľnite páku klieští. Týmto oneskorením (udržovaním) bodový zvar získava lepšie mechanické vlastnosti.

V prípade chýbajúcich skúseností je vhodné vykonať niektoré skúšky bodovania na kúskoch plechu, ktoré majú rovnaké vlastnosti a hrúbku ako plechy, ktoré majú byť bodované.

Bodový zvar sa považuje za dobrý, keď na vzorke pri skúške v ťahu dôjde k vyťahnutiu jadra bodu zvaru z jedného z dvoch plechov.



UPOZORNENIE! Bodovačka je vybavená ochranným vodičom, ktorý spája zvärací obvod priamo s uzemnením.

Vykonávajte bodovanie len v prípade, ak sú spojované plechy odizolované od zemniaceho obvodu!

V opačnom prípade zváranie okamžite prerušte a nechajte skontrolovať ochranný vodič rozvodu a bodovačky kvalifikovaným technikom.

7. ÚDRŽBA



UPOZORNENIE! PRED VYKONANÍM ÚDRŽBY SA UISTITE, ŽE JE BODOVAČKA VYPNUTÁ A ODPOJENÁ OD ELEKTRICKÉHO A PNEUMATICKÉHO (ak je súčasťou) ROZVODU.

Pri bodovačkách aktivovaných prostredníctvom pneumatika je potrebné zaistiť hlavný vypínač v polohe „O“ visacím zámkom z príslušenstva.

7.1 RIADNA ÚDRŽBA

ÚKONY RIADNEJ ÚDRŽBY MÔŽE VYKONÁVAŤ OBSLUHA.

- prispôbenie/obnovenie priemeru a profilu hroty elektródy;
- kontrola vyrovnanosti elektród;
- kontrola predpruženia pružiny (sily elektród);
- kontrola neporušenosti napájacieho kábla bodovačky a klieští.
- výmena elektród a ramien;

7.2 MIMORIADNA ÚDRŽBA

MIMORIADNA ÚDRŽBA MUSÍ BYŤ VYKONANÁ VÝHRADNE SKÚSENÝM PERSONÁLOM ALEBO PERSONÁLOM KVALIFIKOVANÝM V ELEKTRICKO-STROJNOM ODBORE.



UPOZORNENIE! PRED ODLOŽENÍM PANELOV BODOVAČKY A PRÍSTUPOM DO JEJ VNÚTRA SA UISTITE, ŽE JE BODOVAČKA VYPNUTÁ A ODPOJENÁ OD ELEKTRICKÉHO A PNEUMATICKÉHO (ak je súčasťou) ROZVODU.

Prípadné kontroly, vykonávané vo vnútri bodovačky pod napätím, môžu spôsobiť zásah elektrickým prúdom s vážnymi následkami, spôsobenými priamym stykom s časťami pod napätím a/alebo priamym stykom s pohybujúcimi sa časťami.

Pravidelne, a v každom prípade v intervaloch odpovedajúcich použitiu a podmienkam prostredia, kontrolujte vnútro bodovačky a pomocou prúdu suchého stlačeného vzduchu (max. 5bar) odstráňte prach a kovové častice, ktoré sa usadili na transformátore, module tyristorov, module diód, svorkovnici napájania, atď.

Nesmerujte prúd stlačeného vzduchu na elektronické karty; očistite ich veľmi jemnou kefou alebo vhodnými rozpúšťadlami.

Pri tejto príležitosti:

- skontrolujte, či káble nemajú poškodenú izoláciu, alebo či nie sú uvoľnené - zoxídované spoje;
- namažte kľby a čapy;
- skontrolujte, či sú dostatočne dotiahnuté spojovacie skrutky pripojenia sekundárneho vinutia transformátora s odliatkami držiakov ramien a či nevykazujú stopy oxidácie alebo prehriatia; platí to aj pre poistné skrutky ramien a držiakov elektród;
- skontrolujte, či sú spojovacie skrutky pripojenia sekundárneho vinutia transformátora k tyčiam / výstupným pletencom dostatočne utiahnuté a či nie sú zoxídované alebo prehriate;
- skontrolujte vodivosť zemniaceho obvodu stroja so zväracím obvodom (elektródy).
- skontrolujte, či sú spojovacie skrutky sekundárneho vinutia transformátora (ak sú súčasťou) dostatočne utiahnuté, a či nevykazujú stopy po oxidácii alebo prehriatí;

1. SPLOŠNA VARNOST ZA UPOROVNO VARJENJE.....	str. 56
2. UVOD IN SPLOŠNI OPIS.....	57
2.1 UVOD.....	57
2.2 SERIJSKA OPREMA.....	57
2.3 DODATKI NA ZAHTEVO.....	57
3. TEHNIČNI PODATKI.....	57
3.1 PLOŠČICA S PODATKI (SLIKA A).....	57
3.2 DRUGI TEHNIČNI PODATKI.....	57
4. OPIS TOČKALNIKA.....	57
4.1 GLAVNI SESTAVNI DELI IN NASTAVITVE (SLIKA B).....	57
4.2 KRMILNA PLOŠČA (samo pri modelih 6.9kA) (SLIKA C).....	57
5. NAMESTITEV.....	57
5.1 SESTAVLJANJE.....	57
5.2 NAČINI DVIGANJA.....	57
5.3 UMESTITEV.....	57
5.4 PRIKLJUČITEV V OMREŽJE.....	57
5.4.1 Opozorila.....	57
5.4.2 Vtikač in vtičnica.....	57
6. VARJENJE (točkovno).....	57

6.1 VNAPREJŠNJE OPERACIJE.....	str. 57
6.2 URAVNAVANJE PARAMETROV.....	58
6.2.1 Modeli 6.9kA:.....	58
6.2.2 Model 5.8kA:.....	58
6.3 POSTOPEK.....	58
7. VZDRŽEVANJE.....	58
7.1 OBIČAJNO VZDRŽEVANJE.....	58
7.2 POSEBNO VZDRŽEVANJE.....	58
7.3 ISKANJE OKVAR.....	58

NAPRAVE ZA UPOROVNO VARJENJE ZA INDUSTRIJSKO IN PROFESIONALNO RABO

Opomba: V nadaljnjem besedilu bo uporabljen izraz »točkalnik«.

1. SPLOŠNA VARNOST ZA UPOROVNO VARJENJE

Operater mora biti primerno poučen o varnem uporabljanju točkalnika, o nevarnostih, povezanih s procesom uporovnega varjenja, ter o potrebnih varnostnih ukrepih in ukrepanju v nujnih primerih.



- Električne povezave izvedite v skladu s predvidenimi predpisi in zakoni o varnosti pri delu.
- Točkalnik se lahko priključi izključno v napajalni sistem, ki ima ozemljeno ničlo.
- Prepričajte se, da je vtičnica za napajanje pravilno priključena na ozemljitev.
- Ne uporabljajte kablov z iztrošeno izolacijo in ali z razmajanimi spojniki.
- Točkalnik uporabljajte pri temperaturi okolja od 5° C in 40° C ter 50% relativni vlažnosti za temperature do 40° C in 90% za temperature do 20° C.
- Točkalnika ne uporabljajte v vlažnih in mokrih okoljih ali v dežju.
- Povezava varilnih kablov in vsi posegi običajnega vzdrževanja na rokah in/ali elektrodah morajo biti izvedeni, ko je točkalnik izključen in iztaknjen iz električnega in pnevmatskega omrežja (če je zadnje prisotno).
- Enak postopek je treba upoštevati za priključitev na vodovodno omrežje ali na gladilno enoto z zaprtim tokokrogom (pri vodno hlajenih točkalnikih), v vsakem primeru pa med vzdrževalnimi posegi (posebno vzdrževanje).



- Naprave ne smete uporabljati v prostorih, ki so klasificirani kot taki, v katerih obstaja tveganje eksplozije zaradi plinov, prahu ali megle.
- Ne varite na vsebnikih, posodah ali ceveh, v katerih so ali so bile vnetljive tekoče ali plinaste snovi.
- Izogibajte se delu na obdelovancih, očiščenih s kloruratnimi topili ali v bližini teh snovi.
- Ne varite posod pod tlakom.
- Iz delovnega območja odstranite vse vnetljive materiale (npr. les, papir, krpe).
- Počakajte, da se pravkar varjeni obdelovanec ohladi! Obdelovanca ne postavljajte ob vnetljive snovi.
- Zagotovite ustrezno zamenjavo zraka ali naprave, primerne za odvajanje varilnega dima v bližini elektrod; potreben je sistematski pristop za oceno omejitev pri izpostavljanju varilnim dimom glede na njihovo sestavo, koncentracijo in trajanje izpostavljanja.



- Oči si vedno zaščitite z ustreznimi zaščitnimi očali.
- Vedno nosite rokavice in zaščitna oblačila, primerna za obdelave med uporovnim varjenjem.
- Hrup: Če zaradi posebno intenzivnega varjenja ugotovite, da prihaja do dnevne osebne izpostavljenosti hrupu (LEP,d), ki je enaka ali večja od 85 db(A), je obvezna uporaba ustreznih osebnih zaščitnih sredstev.



- Prehod varilnega toka za točkovno varjenje povzroči pojav elektromagnetnih polj (EMF), lokaliziranih okoli varilnega tokokroga za točkovno varjenje. Elektromagnetna polja lahko povzročijo motnje pri delovanju nekaterih zdravniških pripomočkov (npr. srčnih spodbujevalnikov, respiratorjev, kovinskih protez itd.). Upoštevati je treba ustrezne zaščitne ukrepe pri nosilcih teh naprav. Treba je na primer preprečiti dostop v območje uporabe točkalnika. Točkalnik je skladen z zahtevami tehničnih standardov izdelka, ki je izdelan izključno za rabo v industrijskem okolju in za profesionalno rabo. Skladnost ni zagotovljena v okviru osnovnih omejitev, ki se nanašajo na izpostavljanje ljudi elektromagnetnim poljem v domačem okolju.

Operater mora uporabljati naslednje postopke, da zmanjša izpostavljanje elektromagnetnim poljem:

- Oba varilna kabla za točkovno varjenje naj namesti kar najbliže skupaj (če sta nameščena).
- Glavo in trup naj karseda odmakne od varilnega tokokroga za točkovno varjenje.
- Varilnih kablov za točkovno varjenje (če sta nameščena) naj si nikoli ne ovija

okoli trupa.

- Nikoli naj ne točkovno vari, ko je njegov trup sredi varilnega tokokroga za točkovno varjenje. Oba varilna kabla naj ima vedno na isti strani trupa.
- Kabel povratnega toka za varjenje (če je nameščen) naj priključi na obdelovanec za točkovno varjenje kar najbliže spoju, ki ga mora izvesti.
- Nikoli naj ne vari preblizu točkalnika, sede ali naslonjen na njem (minimalna razdalja: 50 cm).
- Nikoli naj ne pušča železomagnetnih predmetov v bližini točkalnega tokokroga.
- Minimalna razdalja:
 - d= 3cm, f= 50cm (SLIKA G);
 - d= 3cm, f= 50cm (SLIKA H);
 - d= 30cm (SLIKA I);
 - d= 20cm (SLIKA L) Studder.



- Naprava A razreda:

Točkalnik je skladen z zahtevami tehničnega standarda izdelka, ki je izdelan izključno za rabo v industrijskem okolju in za profesionalno rabo. Elektromagnetna združljivost v domovih in v zgradbah, neposredno povezanih v nizkonapetostno napajalno omrežje, ki napaja zgradbe za domačo rabo.

PREDVIDENA UPORABA

Napravo je treba uporabljati za točkanje ene ali več jeklenih pločevin z majhno vsebnostjo ogljika, ki se po obliki in merah spreminjajo glede na potrebno obdelavo.



PREOSTALA TVEGANJA

TVEGANJE ZMEČKANJA ZGORNJIH UDOV Z ROKAMI NE SEGAJTE V BLIŽINO GIBLJIVIH DELOV!

Način delovanja točkalnika ter spremenljivost oblik in mer obdelovanca preprečujejo uresničitev celostne zaščite pred nevarnostjo zmečkanja zgornjih udov: prstov, roke, podlakti.

Tveganje je treba zmanjšati z uporabo ustreznih preventivnih ukrepov:

- Operater mora biti izvedenec ali zelo dobro poučen o postopku uporovnega varjenja s tovrstnimi napravami.
- Izvesti je treba oceno tveganja za vsako vrsto dela, ki ga je treba opraviti; treba je pripraviti opremo in maske, ki zmorejo podpreti in voditi obdelovanec, tako da z rokami ni treba segati v nevarno območje, ki ustreza elektrodam.
- V primeru uporabe prenosnega točkalnika: z obema rokama trdno držite ročaje elektrodnega držala; pazite, da se z rokami ne boste približevali elektrodam.
- V vseh primerih, kjer oblika obdelovanca to omogoča, nastavite razdaljo elektrod tako, da ne boste presegli 6 mm hoda.
- Preprečite, da bi na istem točkalniku sočasno delalo več oseb.
- Delovno območje mora biti za tuje osebe prepovedano območje.
- Točkalnika ne puščajte brez nadzora: v tem primeru ga morate obvezno odklopiti iz napajalnega omrežja; pri točkalnikih s proženjem s pnevmatskim cilindrom postavite glavno stikalo na »O« in ga blokirajte s priloženo ključavnico, iz katere mora odgovorna oseba ključ izvelci in ga vedno nositi s seboj.
- Uporabljajte izključno elektrode, predvidene za ta aparat (glejte seznam rezervnih delov), ne da bi spreminjali njihovo obliko.

TVEGANJE OPEKLIN

Nekateri deli točkalnika (elektrode – roke in sosedna območja) lahko dosežejo temperaturo, višjo od 65°C: vedno morate nositi ustrezno zaščitno obleko. Počakajte, da se pravkar varjeni obdelovanec ohladi, preden se ga dotikate!

TVEGANJE PREKUCA IN PADCA

- Točkalnik postavite na vodoravno površino z nosilnostjo, ki ustreza masi stroja; točkalnik pritrdite na nosilno ploskev (ko je to predvideno v poglavju »NAMESTITEV« tega priročnika). V nasprotnem primeru, na nagnjenih ali nepovezanih tleh, na premičnih naslonskih površinah, obstaja nevarnost prekučevanja.
- Točkalnika ne smete dvigati, razen v izrecnem primeru, predvidenem v poglavju »NAMESTITEV« tega priročnika.
- Če uporabljate aparat na vozičku: odklopite točkalnik z električnega in pnevmatskega (če je nameščeno) napajanja, preden enoto premaknete v novo delovno območje. Pazite na zapreke in neravna tla (npr. na cevi in kable).

NEPRIMERNA RABA

Uporaba točkalnika za namene, ki so drugačni od predvidenih (glejte PREDVIDENA UPORABA), je nevarna.

6.2 URAVNAVANJE PARAMETROV

6.2.1 Modeli 6.9kA:

- izberite debelino pločevine, ki jo je treba točkovno zvariti, s tipko (2 - FIG. C), ki je na krmilni plošči točkalnika;
- izberite tip točkanja (neprekinjeno ali utripajoče) s tipko (3 - SLIKA C).
Kjer je to potrebno, je mogoče bolj ali manj popraviti čas točkanja s prizvete vrednosti s tipko (1 - SLIKA C).

6.2.2 Model 5.8kA:

Nastavite čas točkanja s potenciometrom (9 - SLIKA B1) na zadnji strani točkalnika; uporabljajte čim nižje vrednosti, tako da bo točka čim bolj pravilno izvedena (glejte: 6.3 POSTOPEK).

6.3 POSTOPEK

Ko začnete napajati točkalnik za izvajanje točkanja, upoštevajte naslednja navodila:

- spodnjo elektrodo prisolnite na pločevino, ki jo je treba točkovno zvariti;
- sprožite vzvod klešč na koncu hoda, dokler ne pritisnete mikrostikala (8 - SLIKA B), s čimer dosežete:
 - a) zapiranje pločevin med elektrodi z vnaprej nastavljeno silo;
 - b) prehod varilnega toka za vnaprej nastavljen čas.
- čez nekaj trenutkov spustite vzvod klešč. Ta zamik (vzdrževanje) omogoča boljše mehanske lastnosti točke.

Če nimate posebnih izkušenj, je treba izvesti nekaj preizkusov točkovnega varjenja z različnimi debelinami pločevine in enako kakovostjo.

Kot pravilno izvedeno se šteje točka, ki pri preizkusu z vlečenjem povzroči izvlačenje jedra varilne točke iz ene od obeh pločevin.



POZOR! Točkalnik je opremljen z zaščitnim prevodnikom, ki povezuje varilno vezje z ozemljitvijo.

Varjenje izvedite le, če so obdelovani kosi ozemljeni!

V nasprotnem primeru takoj prekinite varjenje. Tehnično podkovana in kvalificirana oseba naj preveri zaščitne prevodnike naprave in točkalnika.

7. VZDRŽEVANJE



POZOR! PREDEN IZVAJATE VZDRŽEVALNA DELA, SE PREPRIČAJTE, DA JE TOČKALNIK IZKLJUČEN IN IZKLOPLJEN IZ NAPAVALNEGA ELEKTRIČNEGA IN PNEVMATSKEGA OMREŽJA (če je prisotno).

Pri različicah s proženjem s pnevmatskim cilindrom je treba blokirati stikalo v položaj »O« s priloženo ključavnico.

7.1 OBIČAJNO VZDRŽEVANJE

OBIČAJNA VZDRŽEVALNA DELA LAHKO IZVAJA OPERATER.

- prilagajanje/povrnitev v prvotno stanje premera in profila konice elektrode;
- preverjanje poravnave elektrod;
- preverjanje napetosti vzmeti (moč elektrod);
- preverite integriteto napajalnega kabla točkalnika in klešč.
- zamenjava elektrod in rok;

7.2 POSEBNO VZDRŽEVANJE

POSTOPKE POSEBNEGA VZDRŽEVANJA SME IZVAJATI IZKLJUČNO STROKOVNO IZVEDENO ALI KVALIFICIRANO OSEBJE NA ELEKTRIČARSKO-MEHANSKEM PODROČJU.



POZOR! PREDEN ODSTRANITE PLOŠČE S TOČKALNIKA, IN POSEGATE V NOTRANJOST, SE PREPRIČAJTE, DA JE TOČKALNIK IZKLJUČEN IN IZKLOPLJEN IZ ELEKTRIČNEGA IN PNEVMATSKEGA (če je prisotno) NAPAVALNEGA OMREŽJA.

Morebitna preverjanja, ki bi jih izvajali v notranjosti točkalnika, ko je ta pod napetostjo, lahko povzročijo hud električni udar, ki je posledica neposrednega stika z deli pod napetostjo, ali pa poškodbe zaradi neposrednega stika z gibljivimi deli.

Periodično in na vsak način dovolj pogosto glede na uporabo in okoljske pogoje pregledujte notranjost točkalnika; odstranjujte prah in kovinske delce, ki se naberejo na transformatorju, tiristorskem modulu, modulu z diodami, napajalnimi ploščami za stičnike itd. s curkom suhega stisnjene zraka (maks. 5 barov).

Pazite, da zrak pod tlakom ne poškoduje elektronskih kartic; le te lahko očistite z mehko ščetko ali ustreznimi topili.

Ko je prilika za to:

- preverite, da izolacija kablov ni poškodovana ali da priključki niso zrahljani ali oksidirani;
 - podmažite zgibe in zatiče.
 - preverite, da povezovalni vijaki sekundarnega navitja transformatorja pri nosilcih rok dobro zategnjeni in da na njih ni znamenj oksidacije ali pregrevanja; enako velja tudi za blokirne vijake rok in elektrodna držala.
 - Preverite, da so povezovalni vijaki sekundarja transformatorja pri izhodnih prečkah/pletenicah dobro zategnjeni in da na njih ni znamenj oksidacije ali pregrevanja.
 - preverite neprekinjenost ozemljitvenega tokokroga stroja z varilnim tokokrogom (elektrode).
 - preverite, da so povezovalni vijaki sekundarnega navitja transformatorja (če so nameščeni) dobro zategnjeni in da na njih ni znamenj oksidacije ali pregrevanja.
 - Ko izvedete vzdrževanje ali popravilo, vse priključke in kable vrnite na njihova mesta. Pazite, da se ne bodo stikali z gibljivimi deli ali deli, ki se močno segrejejo. Vse vode ovijte, kot so bili oviti prej, in pazite, da se primarni visokonapetostni priključki ne bodo stikali s sekundarnimi nizkonapetostnimi priključki.
- Uporabite originalne podložke in vijake za zapiranje ohišja.

7.3 ISKANJE OKVAR

ČE DELOVANJE NI OPTIMALNO, PREDEN SE OBRNETE NA POOBlaščenega SERVISERJA ALI SE LOTITE BOLJ PODROBNIH UGOTAVLJANJ, PREVERITE:

- Da se dejansko pritisne stikalo, s čimer se da elektronski kartici dovoljenje za izvajanje varjenja, je vzvod za varjenje sprožen.
- Da ni prišlo do proženja termičnih zaščit.
- Da elementi, ki sestavljajo sekundarni tokokrog (nosilci rok - roke - nosilci elektrod), niso neučinkoviti zaradi popuščeni ali oksidiranih vijakov.
- Ali parametri varjenja (moč in premer elektrod, čas varjenja) niso primerni za delo, ki ga je treba izvesti.

	str.		str.
1. OPĆA SIGURNOST ZA VARENJE SA OTPORNIKOM.....	59	6.3 PROCEDURA.....	61
2. UVOD I OPĆI OPIS.....	60	7. SERVISIRANJE.....	61
2.1 UVOD.....	60	7.1 REDOVNO SERVISIRANJE.....	61
2.2 DODATNA OPREMA.....	60	7.2 IZVANREDNO SERVISIRANJE.....	61
2.3 OPREMA PO NARUDŽBI.....	60	7.3 POTRAGA KVAROVA.....	61
3. TEHNIČKI PODACI.....	60		
3.1 PLOČICA SA PODACIMA (FIG. A).....	60		
3.2 OSTALI TEHNIČKI PODACI.....	60		
4. OPIS STROJA ZA TOČKASTO VARENJE.....	60		
4.1 GLAVNE KOMPONENTE I REGULACIJE (FIG. B).....	60		
4.2 KOMANDNA PLOČA (samo kod modela 6.9kA) (FIG. C).....	60		
5. POSTAVLJANJE STROJA.....	60		
5.1 PRIPREMA.....	60		
5.2 NAČIN PODIZANJA.....	60		
5.3 POLOŽAJ STROJA.....	60		
5.4 SPAJANJE NA MREŽU.....	60		
5.4.1 Upozorenja.....	60		
5.4.2 Utikač i utičnica.....	60		
6. VARENJE (Točkasto varenje).....	60		
6.1 PRETHODNE RADNJE.....	60		
6.2 REGULACIJA PARAMETARA.....	61		
6.2.1 Modeli 6.9kA.....	61		
6.2.2 Model 5.8kA.....	61		

STROJEVI ZA VARENJE SA OTPORNIKOM ZA INDUSTRIJSKU I PROFESIONALNU UPOTREBU.

Napomena: u tekstu koji slijedi upotrebljava se izraz "stroj za točkasto varenje".

1. OPĆA SIGURNOST ZA VARENJE SA OTPORNIKOM

Operater mora biti primjeren upućen o sigurnosnoj upotrebi stroja za točkasto varenje i o opasnostima vezanima za varenje sa otpornikom, o zaštitnim mjerama i procedurama u slučaju hitnoće.



- Izvršiti spajanje na električnu mrežu u skladu sa predviđenim pravilima i zakonima za zaštitu od ozljeda na radu.
- Stroj za točkasto varenje mora biti spojen isključivo na sustav napajanja sa neutralnim sprovodnikom sa uzemljenjem.
- Provjeriti da je utičnica za napajanje ispravno spojena na zaštitno uzemljenje.
- Ne smije se upotrebljavati sa kablovima sa oštećenom izolacijom ili sa oslabljenim spojevima.
- Upotrebljavati stroj za točkasto varenje na sobnoj temperaturi od 5°C do 40°C i na relativnoj vlazi od 50% do temperature od 40°C i od 90% za temperature do 20°C.
- Stroj za točkasto varenje se ne smije upotrebljavati u vlažnim ili mokrim prostorijama ili na kiši.
- Spajanje kablova za varenje i bilo koja intervencija za redovno servisiranje ručki i/ili elektroda mora se vršiti dok je stroj za točkasto varenje ugašen i isključen iz električne i pneumatske mreže (ako je prisutna). Isti se postupak mora slijediti za spajanje na vodovodnu mrežu ili na rashladnu jedinicu sa zatvorenim krugom (strojevi za točkasto varenje hlađeni vodom) i prilikom svakog vršenja popravaka (izvanredno servisiranje).



- Zabranjuje se upotreba stroja u prostorijama za koja postoji opasnost od eksplozije zbog prisutnosti plina, praha ili magle.
- Ne smije se variti na posudama, sudovima ili cijevima koje sadrže ili koje su sadržavale zapaljive tekućine ili plinove.
- Izbjegavati rad na materijalu očišćenom kloriranim rastvornim sredstvima ili u blizini takvih tvari.
- Ne smije se variti na posudama pod pritiskom.
- Udaljiti sa radnog mjesta sve zapaljive tvari (npr. drvo, papir, krpe, itd.).
- Ostaviti komad koji je tek zavaren da se hladi! Komad se ne smije postaviti pored zapaljivih tvari.
- Osigurati prikladno prozračenje prostorije ili prisutnost uređaja za usisavanje dima prilikom varenja u blizini elektroda; potreban je sistematski pristup za procjenu granica izlaganja dimu varenja ovisno o njegovom sastavu i koncentraciji i o trajanju izlaganja.



- Uvijek je potrebno zaštititi oči prikladnim zaštitnim naočalama.
- Nositi prikladne zaštitne rukavice i odjeću za varenje sa otpornikom.
- Buka: ako se uslijed posebno intenzivnog varenja registrira razina osobnog svakodnevnog izlaganja (LEP,d) ista ili veća od 85db(A), obavezna je upotreba prikladnih individualnih zaštitnih sredstava.



- Prolaz struje za točkasto varenje prouzrokuje stvaranje elektromagnetskih polja (EMF) u okolici kruga točkastog varenja. Elektromagnetska polja mogu utjecati na pojedine medicinske uređaje (npr. Pace-maker, respiratori, metalne proteze, itd). Moraju se poduzeti prikladne zaštitne mjere u korist osoba koje koriste navedene aparate. Na primjer potrebno je zabraniti pristup području gdje se upotrebljava stroj za točkasto varenje. Ovaj stroj za točkasto varenje zadovoljava tehničke standarde proizvoda isključivo za industrijsku i profesionalnu upotrebu. Nije zajamčena sukladnost stroja sa osnovnim granicama koje se odnose na izlaganje ljudi elektromagnetskim poljima kod kućne upotrebe.

Operater mora slijediti niže navedene procedure kako bi smanjio izlaganje elektromagnetskim poljima:

- Fiksirati zajedno dva kabla za točkasto varenje, što je bliže moguće (ako su prisutni).
- Držati glavu i tijelo što dalje moguće od kruga točkastog varenja.
- Nikada se ne smije navijati kablove za varenje (ako su prisutni) oko tijela.
- Ne smije se točkasto variti dok je tijelo usred kruga točkastog varenja. Držati oba kabla sa iste strane tijela.
- Spojiti povratni kabel struje za točkasto varenje (ako je prisutan) na komad koji se točkasto vari što je bliže moguće spoju koji se vrši.
- Ne smije se točkasto variti pored stroja za točkasto varenje, sjedeći na njemu ili naslanjajući se na isti (minimalna udaljenost: 50cm).
- Ne smiju se ostavljati feromagnetski predmeti blizu kruga točkastog varenja.
- Minimalna udaljenost:
 - d= 3cm, f= 50cm (Fig. G);
 - d= 3cm, f= 50cm (Fig. H);
 - d= 30cm (Fig. I);
 - d= 20cm (Fig. L) Studer.



- Stroj klasa A:

Ovaj stroj za točkasto varenje zadovoljava tehničke standarde proizvoda isključivo za industrijsku i profesionalnu upotrebu.

Nije zajamčena elektromagnetska sukladnost stroja u domovima ili prostorijama spojenima izravno na mrežu napajanja pod niskim naponom koja napaja zgrade za kućnu upotrebu.

PREDVIĐENA UPOTREBA

Uređaj se mora upotrebljavati za točkasto varenje jednog ili više limova od čelika sa niskim sadržajem ugljika, sa promjenivim oblikom i dimenzijama, ovisno o vršenoj obradi.



OSTALE OPASNOSTI

OPASNOST OD GNJEČENJA GORNJIH UDOVA
NE SMIJU SE STAVLJATI RUKU BLIZU DIJELOVA U POKRETU!

Način rada stroja za točkasto varenje i promjenjivost oblika i dimenzija komada koji se obrađuje, sprječavaju ostvarenje integrirane zaštite protiv opasnosti od gnječenja gornjih udova: prsti, ruke, podlaktica.

Opasnost se mora smanjiti primjenom prikladnih preventivnih mjera:

- Operater mora imati prikladno iskustvo ili obuku o proceduri varenja sa otpornikom sa ovom vrstom strojeva.
- Za svaku pojedinu vrstu obrade koja se vrši mora se izvršiti procjena rizika; potrebno je osposobiti opremu i maske kojima se može držati i voditi komad koji se obrađuje kako bi se udaljile ruke od opasnog područja u blizini elektrode.
- U slučaju upotrebe prenosnog stroja za točkasto varenje: čvrsto uhvatiti hvataljku sa obje ruke na prikladnim drškama; uvijek držati ruke dalje od elektroda.
- U svim slučajevima gdje oblik komada to dopušta, regulirati udaljenost između elektroda tako da se ne pređe hod od 6 mm.
- Izbjegavati da više osoba radi istovremeno sa istim strojem za točkasto varenje.
- Neovlaštenim osobama ne smije biti dopušten pristup radnom mjestu.
- Stroj za točkasto varenje se ne smije ostaviti bez nadzora: u tom slučaju obavezno isključiti stroj iz mreže napajanja; kod strojeva za točkasto varenje sa paljenjem pomoću pneumatskog cilindra, postaviti opću sklopku na položaj "O" i blokirati se dostavljenim lokotom, odgovorna osoba mora izvući ključ i pohraniti isti.
- Upotrebljavati isključivo elektrode predviđene za taj stroj (vidi popis rezervnih dijelova) bez mijenjanja oblika istih.
- OPASNOST OD OPEKLINA
Pojedini dijelovi stroja za točkasto varenje (elektrode – ručke i obližnja područja) mogu dostići temperaturu veću od 65°C: potrebno je upotrebljavati prikladnu zaštitnu odjeću.
Putiti da se komad koji se tek zavario ohladi, prije diranja!
- OPASNOST OD PREVRTANJA I PADA
- Postaviti stroj za točkasto varenje na vodoravnu površinu prikladnu

- popustiti vijak za fiksiranje gornje elektrode kako bi se dozvolilo klizanje ručke kroz otvor,
- staviti između elektroda sloj koji odgovara sloju lima,
- **FIG. D** zatvoriti polugu 2 dok ručke nisu paralelne i dok se vrhovi elektroda podudaraju; naviti dostavljeni vijak 3 (d.M6), u otvor 1, kako bi se blokirala poluga u prikladnom položaju i regulirati snagu,
- blokirati u ispravnom položaju gornju elektrodu, navijanjem vijka,
- regulirati snagu elektroda tijekom točkastog varenja FIG.E, pomoću regulacijskog vijka (1) pomoću dostavljenog ključa; postavljena vrijednost, ovisno o položaju crtice na ljestvici, navedena je u FIG. F. U TAB. 6 je navedena vrijednost snage koja se može postići sa različitim dužinama ručki.
- naviti u smjeru kazaljke na satu (od lijeva nadesno) za povećavanje snage proporcionalno sa povećanjem sloja limova, odabirajući regulaciju koja omogućuje zatvaranje hvataljke, i pokretanje mikroswitcha, vrlo ograničenim pokretom.

6.2 REGULACIJA PARAMETARA

6.2.1 Modeli 6.9kA:

- odabrati sloj lima koji se mora točkasto variti pomoću tipke (2 - FIG. C) koja se nalazi na komandnoj ploči stroja za varenje;
 - odabrati vrstu točkastog varenja (kontinuirano ili pulzirajuće) pomoću tipke (3 - FIG. C).
- Moguće je produžiti ili smanjiti, ako je potrebno, trajanje točkastog varenja pomoću tipke (1 - FIG. C).

6.2.2 Model 5.8kA:

Regulirati trajanje točkastog varenja putem potencijometra (9 - FIG.B1) koji se nalazi na stražnjem dijelu stroja za točkasto varenje; upotrijebiti što niže vrijednosti u skladu sa ispravnim izvršenjem točke (vidi : 6.3 PROCEDURA).

6.3 PROCEDURA

Nakon napajanja stroja za točkasto varenje, za izvršenje točkastog varenja potrebno je slijediti navedene upute:

- prisloniti donju elektrodu na lim koji se mora točkasto variti;
- pokrenuti polugu hvataljke na kraju hoda, zatim pritisnuti mikroswitch (8-FIG.B) dobivajući tako:
 - a) zatvaranje lima između elektroda sa prethodno postavljenom snagom;
 - b) prolaz struje varenja za prethodno postavljeno trajanje.
- otpustiti polugu hvataljke nakon nekoliko trenutaka. Ovakvo kašnjenje (održavanje), daje točki bolje mehaničke osobine.

U nedostatku specifičnog iskustva savjetuje se vršenje nekoliko pokušaja točkastog varenja, upotrebljavajući slojeve lima iste kvalitete i iste debljine koja se mora obraditi. Točka se smatra ispravno izvršenom kada tijekom pokušavanja povlačenja prouzroči izvlačenje srži točke varenja iz jednog ili dva lima.



POZOR! Stroj za točkasto varenje mora imati zaštitni sprovodnik koji spaja krug varenja na uzemljenje.

Varenje se mora izvršiti samo ako su limovi koji se spajaju spojeni na uzemljenje! U protivnom treba odmah prekinuti sa varenjem i potrebno je da iskusni ili kvalificirani tehničar provjeri zaštitni sprovodnik pogona i stroja za točkasto varenje.

7. SERVISIRANJE



POZOR! PRIJE VRŠENJA RADNJI SERVISIRANJA, PROVJERITI DA JE STROJ ZA TOČKASTO VARENJE UGAŠEN I ISKLJUČEN IZ STUJNE I PNEUMATSKJE MREŽE (ako je prisutna).

Kod verzija sa pokretanjem pomoću pneumatskog cilindra, potrebno je blokirati sklopku na položaj "O" dostavljenim lokotom.

7.1 REDOVNO SERVISIRANJE

RADNJE REDOVNOG SERVISIRANJA MOŽE VRŠITI OPERATER.

- prilagođavanje/ponovno uspostavljanje promjera i profila vrha elektrode;
- provjera izjednačenja elektroda;
- provjera napetosti opruge (snaga elektroda);
- provjera čitavosti kabla za napajanje stroja za točkasto varenje i hvataljke.
- zamjena elektroda i ručki;

7.2 IZVANREDNO SERVISIRANJE

RADNJE IZVANREDNOG SERVISIRANJA MORA VRŠITI ISKLJUČIVO ISKUSNO ILI KVALIFICIRANO OSOBLJE ELEKTROMEHANIČKE STRUKE.



POZOR! PRIJE NEGO ŠTO UKLONITE PLOČE SA UREDAJA I PRISTUPITE UNUTRAŠNOSTI STROJA, POTREBNO JE PROVJERITI DA JE STROJ ZA TOČKASTO VARENJE UGAŠEN I ISKLJUČEN IZ ELEKTRIČNE I PNEUMATSKJE MREŽE (ako je prisutna).

Eventualne provjere vršene pod naponom unutar stroja za točkasto varenje mogu prouzročiti teški strujni udar uslijed izravnog dodira sa dijelovima pod naponom i/ili ozljede uslijed izravnog dodira sa dijelovima u pokretu.

Povremeno i u svakom slučaju često, ovisno o upotrebi i o prašnjavosti prostorije, pregledati unutrašnjost stroja za točkasto varenje i ukloniti prašinu i metalne čestice taložene na pretvorniku, tiristori sučelju, sušelju dioda, ploči pritezača napajanja, itd., putem mlaza suhog komprimiranog zraka (max 5 bara).

Mlaz komprimiranog zraka se ne smije uperiti na elektronička sučelja; iste eventualno očistiti mekom četkom ili prikladnim rastvorim sredstvima.

Tom prilikom:

- provjeriti da kablovi nemaju oštećenu izolaciju ili da spojevi nisu oslabljeni-oksidirani.
- podmazati pregibe i osovine.
- provjeriti da su vijci za spajanje sekundarnog kruga transformatora na spojevima držača ručki dobro stisnuti i da nemaju tragova oksidacije ili pregrijavanja; isto vrijedi i za vijke za blokiranje ručki i držača elektroda.
- provjeriti da su vijci za spajanje sekundarnog kruga transformatora na izlazne poluge / pletenice dobro stisnuti i da nemaju tragova oksidacije ili pregrijavanja.
- provjeriti kontinuitet kruga uzemljenja stroja sa krugom varenja (elektrode)
- provjeriti da su vijci za spajanje sekundarnog kruga transformatora (ako su prisutni) dobro stisnuti i da nemaju tragova oksidacije ili pregrijavanja
- Nakon vršenja servisiranja ili popravka, ponovno uspostaviti spojeve i kablove, pazeci da isti ne dođu u dodir sa dijelovima u pokretu ili dijelovima koji mogu postići visoku temperaturu. Obložiti trakom sve sprovodnike kao što su bili, pazeci da se spojevi primarnog sustava pod visokim naponom ne dodiruju sa spojevima sekundarnog sustava pod niskim naponom.

- Upotrijebiti sve originalne rondelje i vijke za zatvaranje tesarske strukture.

7.3 POTRAGA KVAROVA U SLUČAJU NEZADOVOLJAVAJUĆEG RADA UREDAJA I PRIJE VRŠENJA SPECIFIČNIJH PROVJERA ILI PRIJE NEGO ŠTO SE OBRATITE SERVISNOM CENTRU, PROVJERITI SLIJEDEĆE:

- da se sa upaljenom polugom varenja pritisnuo microswitch koji daje komandu elektroničkom sučelju za varenje.
- da se nisu uključile termičke zaštite.
- da elementi sekundarnog kruga (spoj držača ručki – ručke – držači elektrode) nisu neučinkoviti uslijed nedovoljno zategnutih vijaka ili zbog oksidacije.
- Da parametri varenja (snaga i promjer elektroda, trajanje varenja) nisu neprikladni za vršenu radnju.

1. BENDRI SAUGOS REIKALAVIMAI KONTAKTINIAM SUVIRINIMUI.....	psl. 62
2. ĮVADAS IR BENDRAS APRAŠYMAS.....	63
2.1 ĮVADAS.....	63
2.2 SERIJINIAI PRIEDAI.....	63
2.3 UŽSAKOMI PRIEDAI.....	63
3. TECHNINIAI DUOMENYS.....	63
3.1 DUOMENŲ LENTELĖ (PAV. A).....	63
3.2 KITI TECHNINIAI DUOMENYS.....	63
4. TAŠKINIO SUVIRINIMO APARATO APRAŠYMAS.....	63
4.1 PAGRINDINĖS DALYS IR REGULIAVIMAS (PAV.B).....	63
4.2 VALDYMO SKYDAS (tik 6.9kA modeliuose) (PAV. C).....	63
5. INSTALIAVIMAS.....	63
5.1 PARUOŠIMAS.....	63
5.2 PRIETAISO PAKĖLIMO BŪDAI.....	63
5.3 PRIETAISO PASTATYMAS.....	63
5.4 PRIJUNGIMAS PRIE TINKLO.....	63
5.4.1 Įspėjimai.....	63
5.4.2 Kištukas ir lizdas.....	63
6. SUVIRINIMAS (Taškinis suvirinimas).....	63
6.1 PRELIMINARIOS OPERACIJOS.....	63
6.2 PARAMETRŲ REGULIAVIMAS.....	64

6.2.1 6.9kA modeliuose:.....	psl. 64
6.2.2 5.8kA modelyje:.....	64
6.3 PROCESAS.....	64
7. TECHNINĖ PRIEŽIŪRA.....	64
7.1 EILINĖ TECHNINĖ PRIEŽIŪRA.....	64
7.2 SPECIALIOJI TECHNINĖ PRIEŽIŪRA.....	64
7.3 GEDIMŲ PAIEŠKA.....	64

KONTAKTINIO SUVIRINIMO ĮRANGA PRAMONINIAM IR PROFESIONALIAM NAUDOJIMUI.

Pastaba: Toliau tekste bus naudojamas terminas "taškinio suvirinimo aparatas".

1. BENDRI SAUGOS REIKALAVIMAI KONTAKTINIAM SUVIRINIMUI

Operatorius turi būti pakankamai gerai susipažinęs su saugiu taškinio suvirinimo aparato naudojimu ir informuotas apie riziką, susijusią su kontaktinio suvirinimo procesu, taip pat išmanyti apie atitinkamas apsaugos priemones bei veiksmus avarinių situacijų atveju.



- Elektros instaliacija turi būti atliekama laikantis numatytų standartų ir darbo saugos reikalavimų.
- Taškinio suvirinimo aparatas turi būti sujungiamas su maitinimo sistema tik neutraliu įžemintu laidininku.
- Įsitikinti, ar maitinimo lizdas yra taisyklingai sujungtas su apsauginiu žeminimu.
- Nenaudoti susidėvėjusių kabelių su pažeista izoliacija arba blogu kontaktu sujungimo vietose.
- Taškinio suvirinimo aparatą eksploatuoti prie 5°C - 40°C suspausto oro aplinkos temperatūros bei prie drėgmės, kuri turi būti lygi 50% temperatūrai iki 40°C ir 90% temperatūrai iki 20°C.
- Taškinio suvirinimo aparatą nenaudoti drėgnose ar šlapiose vietose arba lyjant lietu.
- Suvirinimo laidų sujungimas ir bet kokios eilinės priežiūros operacijos su svirtimis ir/arba elektrodais turi būti atliekamos išjungus taškinio suvirinimo aparatą ir jį atjungus iš elektros tinklo ir pneumatinės sistemos (jei yra). Tokios pat procedūros turi būti laikomasi ir prijungiant prie vandens tinklo arba prie uždaros aušinimo sistemos (taškinio suvirinimo aparatai aušinami vandeniu), bei kiekvieną kartą atliekant remonto darbus (neeilinės priežiūros operacijas).



- Įrangą draudžiama eksploatuoti aplinkoje, kuri yra klasifikuota kaip sprogimo rizikos dėl dujų, dulkių arba rūko zona.
- Neatlikinėti suvirinimo darbų ant taros, indų arba vamzdžių, kuriuose yra arba buvo laikomos degios skystos arba dujinės medžiagos.
- Nedirbti ant paviršių, kurie buvo prieš tai nuvalyti chloruotais valikliais arba minėtų medžiagų prieigose.
- Nevirinti ant taros su slėgiu.
- Pašalinti iš darbo vietos visas lengvai užsidegančias medžiagas (pavyzdžiui, medieną, popierius, skudurus ir t.t.).
- Palikti ką tik suvirintą gaminį ataušti! Niekada nedėti gaminio netoli degių medžiagų.
- Užtikrinti tinkamą vėdinimą arba priemones, reikalingas suvirinimo dūmų ištraukimui elektrodų prieigose; yra būtinas sisteminis suvirinimo dūmų limito įvertinimas priklausomai nuo jų sudėties, koncentracijos bei asmenų buvimo tokioje aplinkoje trukmės.



- Visada dėvėti akis apsaugančius specialius apsauginius akinius.
- Dėvėti apsauginę aprangą ir pirštines, šios apsauginės priemonės turėtų būti tinkamos kontaktinio suvirinimo darbams.
- Triukšmas: Jeigu dėl ypatingai intensyvių suvirinimo operacijų pasireiškia lygus arba didesnis nei 85dB(A) poveikio darbo vietoje lygis (LEP,d), būtina naudoti atitinkamas individualios saugos priemones.



- Taškinio suvirinimo srovės praėjimas sąlygoja elektromagnetinių laukų susidarymą (EMF) aplink suvirinimo kontūrą.

Elektromagnetiniai laukai gali turėti įtakos kai kuriais medicininei įrangai (pvz. širdies stimulatoriams, respiratoriams, metaliniams protezams ir t.t.). Turi būti imamasi deramų apsaugos priemonių siekiant apsaugoti asmenis, vartojančius tokią įrangą. Pavyzdžiui, uždrausti įeiti į taškinio suvirinimo aparato eksploatavimo zoną.

Šis taškinio suvirinimo aparatas atitinka visus techninius standartus produktams, skirtiems išskirtinai profesionaliam naudojimui ir darbiui pramoninėje aplinkoje. Buitinėje aplinkoje nėra garantuojamos elektromagnetinių laukų poveikio

asmenims nustatytos galiojančios apšvitinimo ribos.

Siekdamas sumažinti elektromagnetinių laukų poveikį, operatorius privalo atlikti tokias procedūras:

- Pritvirtinti kartu ir kaip galima arčiau abu taškinio suvirinimo laidus (jei jie yra).
- Laikyti galvą ir liemenį kaip galima toliau nuo suvirinimo kontūro.
- Niekada nevytioti taškinio suvirinimo laidų (jei jie yra) aplink savo kūną.
- Neatlikinėti suvirinimo darbų, kai kūnas yra suvirinimo kontūre. Laikyti abu laidus toje pačioje kūno pusėje.
- Sujungti atgalinį taškinio suvirinimo srovės laidą (jei jis yra) su apdirbamu gaminiu kaip galima arčiau prie atliekamos siūlės.
- Atliekant taškinio suvirinimo darbus negalima būti prie taškinio suvirinimo aparato, ant jo sėdėti, ar į jį remtis (minimalus atstumas: 50cm).
- Nepalikti netoli suvirinimo kontūro metalinių magnetinių daiktų.
- Minimalus atstumas:
 - d = 3cm, f = 50cm (PAV. G);
 - d = 3cm, f = 50cm (PAV. H);
 - d = 30cm (PAV. I);
 - d = 20cm (PAV. L) Studder.



- A klasės įranga:

Šis taškinio suvirinimo aparatas atitinka visus techninių standartų reikalavimus, keliamus produktams, skirtiems išskirtinai profesionaliam naudojimui ir darbiui pramoninėje aplinkoje.

Negarantuojamas elektromagnetinis suderinamumas buitinėse patalpose arba vietose, kur įranga yra tiesiogiai sujungta su žemos įtampos maitinimo tinklu, skirtu buitiniams reikmėms.

NUMATYTAS NAUDOJIMAS

Įranga turi būti naudojama taškiniam vienos ar kelių plieno plokščių su nedideliu kiekiu anglies suvirinimui, šios plokštės gali būti įvairios formos ir matmenų, priklausomai nuo norimo atlikti darbo.



KITA RIZIKA
VIRŠUTINIŲ GALŪNIŲ PRISPAUDIMO RIZIKA
NELAIKYTI RANKŲ NETOLI JUDANČIŲ DETALIŲ!

Skirtingi taškinio suvirinimo aparato veikimo būdai, apdirbamų gaminių formų ir apimčių įvairovė neleidžia sukurti universalios integruoto mechanizmo, apsaugančio nuo viršutinių galūnių - pirštų, plaštakų, dilbių prispaudimo rizikos. Rizika turėtų būti sumažinta panaudojant tinkamas prevencines apsaugos priemones:

- Operatorius turi būti patyręs arba supažindintas su kontaktinio suvirinimo procesu bei apmokytas darbu su šios rūšies įranga.
- Turėtų būti įvertintas kiekvienos norimos atlikti operacijos rizikos laipsnis; labai svarbu pasirūpinti atitinkamais įrankiais ir apsauginėmis maskuotėmis, pritaikytomis apdirbamo gaminio laikymui ir nukreipimui taip, kad rankos išliktų nutolusios nuo pavojingos prie elektrodų esančios zonos
- Portatyvinio taškinio suvirinimo aparato naudojimo atveju: tvirtai laikyti laikiklį abiejom rankom suėmus už atitinkamų rankenų; rankas visada išlaikyti nutolusias nuo elektrodų.
- Visais atvejais, jeigu tai leidžia apdirbamo gaminio pavidalas, sureguliuoti elektrodų nuotolį, kuris eigos bėgyje neturėtų viršyti 6 mm.
- Neleisti, kad tuo pačiu metu su vienu taškinio suvirinimo aparatu dirbtų daugiau nei vienas asmuo.
- Į darbo zoną neturi būti įleidžiami pašaliniai asmenys.
- Nepalikti taškinio suvirinimo aparato nesaugomo: tokiu atveju jį būtina atjungti nuo maitinimo tinklo; taškinio suvirinimo aparatuose, kurie paleidžiami pneumatinio cilindro pagalba, nustatyti pagrindinį jungiklį "O" padėtyje ir užblokuoti aparatą tiekiamu užraktu, jo raktas turi būti ištrauktas ir saugomas atsakingo asmens žinioje.
- Naudoti tik šiam aparatui numatytus elektrodus (žiūrėti atsarginių dalių sąrašą) nekeičiant jų formos.

NUDEGIMŲ RIZIKA

Kai kurios taškinio suvirinimo aparato detalės (elektrodai - svirtys ir netoli jų esančios vietos) gali pasiekti net aukštesnę nei 65°C temperatūrą: būtina dėvėti tinkamą apsauginę aprangą. Prieš paliečiant ką tik suvirintą gaminį, leisti jam atvėsti!

NUVIRTIMO IR NUKRITIMO PAVOJUS

- Taškinio suvirinimo aparatą pastatyti ant horizontalaus paviršiaus, galinčio atlaikyti atitinkamą svorį. Aparatą pritvirtinti prie darbaltalio

- 1- Patikrinti, ar elektros sujungimai yra atlikti taisyklingai ir pagal aukščiau pateiktas instrukcijas.
 - 2- Elektrodų jėga ir sulyginimas:
 - labai gerai užblokuoti apatinį elektrodą padėtyje, kuri labiausiai tinka norimam atlikti darbui,
 - atsukti viršutinį elektrodą blokuojančius varžtus, tokiu būdu bus galimas jo judėjimas svirties angoje,
 - Tarp elektrodų reikia įvesti tokį pat, kaip ir norimų suvirinti lakštų, storį,
 - **PAV. D** uždaryti 2 svertą taip, kad svirtys būtų lygiagrečios ir elektrodų viršūnės sutaptų; prisukti tiekiamą 3 varžtą (d.M6) į 1 skylę, tokiu būdu svertas bus užblokuojamas padėtyje, kuri tinka jėgos reguliavimui atlikti,
 - užblokuoti viršutinį elektrodą taisyklingoje padėtyje atidžiai užveržiant varžtą,
 - Nustatyti taškinio suvirinimo elektrodų jėgą fazėje PAV.E reguliavimo varžto pagalba (1) bei naudojant gamintojo tiekiamą varžliarakti; nustatytas dydis, priklausomai nuo rodiklio padėties graduotoje skalėje, yra nurodytas PAV. F. 6 LENT. yra pateiktos jėgos vertės, galimos prie įvairaus svirčių ilgio.
- Norint padidinti jėgą proporcingai didėjant lakštų storiui, varžlę reikia sukti pagal laikrodžio rodyklę (dešiniapusis užveržimas). Pasirinkti reguliavimą, kuris leistų gnybtų užsidarymą (ir atitinktų mikrojungiklio paleidimą) prie riboto įtempimo.

6.2 PARAMETRŲ REGULIAVIMAS

6.2.1 6.9kA modeliuose:

- pasirinkti norimo suvirinti lakšto storį naudojantis mygtuku (2 - PAV. C), esančiu ant taškinio suvirinimo aparato valdymo skydo;
 - pasirinkti taškinio suvirinimo rūšį (ištininis arba pulsuojantis) naudojantis mygtuku (3 - PAV. C).
- Esant reikalui, galima šiek tiek koreguoti taškinio suvirinimo įvestą laiką (default) naudojantis mygtuku (1 - PAV. C).

6.2.2 5.8kA modelyje:

Reguluoti taškinio suvirinimo laiką naudojantis potenciometru (9 - PAV.B1), esančiu taškinio suvirinimo aparato užpakalinėje dalyje; pasirinkti kaip galima žemesnes vertes, tinkančias taisyklingam taško atlikimui (žiūrėti : 6.3 PROCESAS).

6.3 PROCESAS

Pakrovus taškinio suvirinimo aparatą, taškinio suvirinimo atlikimui laikytis tokių instrukcijų:

- padėti elektrodą ant norimo suvirinti lakšto paviršiaus;
- eigos pabaigoje veikti gnybtų svertą, nuspausti mikrojungiklį (8-PAV.B). Tai sąlygos:
 - a) lakštų suspaudimą tarp elektrodų prieš tai nustatytą jėgą;
 - b) suvirinimo srovės perėjimą per nustatytą laiką.
- po keletos akimirų atleisti gnybtų svertą. Šis uždelsimas (išlaikymas) suteikia taškui geresnes mechanines savybes.

Trūkstant atitinkamų suvirinimo darbų patirties, patariama atlikti kelis taškinio suvirinimo bandymus, naudojant tokios pat rūšies bei storio lakštus bei norimo suvirinti dirbinio storio pavyzdžius.

Laikoma, jog taško atlikimas yra taisyklingas, jei tikrinant pavyzdėlį traukimo bandymu, iš vieno iš dviejų lakštų ištraukiamas suvirinimo taško pagrindas.



DĖMESIO! Taškinio suvirinimo aparatas yra aprūpintas apsauginiu laidinininku, kuris jungia suvirinimo grandinę tiesiai su žeme.

Atlikti suvirinimo darbus, tik jei norimi sujungti lakštai yra izoluoti nuo žemės! Priešingu atveju skubiai nutraukti suvirinimo darbus ir paprašyti patyrusio arba techninėje sferoje kvalifikuoto specialisto patikrinti apsauginę sistemą ir taškinio suvirinimo aparato laidinininką.

7. TECHNINĖ PRIEŽIŪRA



DĖMESIO! PRIEŠ ATLIEKANT ŠIAS TECHNINĖS PRIEŽIŪROS OPERACIJAS, ĮSITIKINTI, AR TAŠKINIO SUVIRINIMO APARATAS YRA IŠJUNGTAS IR ATJUNGTAS NUO ELEKTROS ENERGIJOS IR SUSPAUSTO ORO TIEKIMO TINKLO (jei yra).

Versijose, paleidžiamose pneumatinio cilindro pagalba, pagrindinį jungiklį būtina užblokuoti tiekiamu užraktu "O" padėtyje.

7.1 EILINĖ TECHNINĖ PRIEŽIŪRA

EINAMOSIOS PRIEŽIŪROS OPERACIJAS GALI ATLIKTI OPERATORIUS.

- elektrodo galiuko skersmens ir profilio pritaikymas/atstatymas;
- elektrodų sulyginimo kontrolė;
- spyruoklės apkrovos (elektrodų jėgos) kontrolė;
- taškinio suvirinimo aparato maitinimo kabelio ir laikiklio vientisumo patikrinimas.
- elektrodų ir svirčių pakeitimas;

7.2 SPECIALIOJI TECHNINĖ PRIEŽIŪRA

SPECIALIOSIOS PRIEŽIŪROS OPERACIJAS TURI ATLIKTI TIK PATYRĘS ARBA ELEKTROMECHANIKOS SRITYJE SPECIALIZUOTAS PERSONALAS.



DĖMESIO! PRIEŠ NUIMANT NUO TAŠKINIO SUVIRINIMO APARATO GAUBTUS IR PRIEŠ LIEČIANT JO VIDINES DETALES, ĮSITIKINTI, AR TAŠKINIO SUVIRINIMO APARATAS YRA IŠJUNGTAS IR ATJUNGTAS NUO MAITINIMO TINKLO IR PNEUMATINĖS SISTEMOS (jei ji yra).

Bet kokie patikrinimai taškinio suvirinimo aparato viduje kai prijungta įtampa, dėl tiesioginio kontakto su įtampoje esančiomis detalėmis gali sąlygoti stiprų elektros smūgį, ir/arba sužeidimus dėl tiesioginio kontakto su judančiomis detalėmis.

Reguliariai (periodiškumas priklauso nuo naudojimo dažnio ir aplinkos sąlygų) tikrinti taškinio suvirinimo aparato ir gnybtų vidų ir suspausto sauso oro srove (maks. 5 barų) pašalinti dulkes ir metalines dalelytes, susikaupusias ant transformatoriaus, tiristorių bloko, diodų bloko, maitinimo gnybtų dėžės ir t.t.

Vengti suspausto oro srovės nukreipimo į elektronines schemas; jos turi būti valomos minkštu šepetėliu arba naudojant specialius valiklius.

Ta pačia proga:

- patikrinti, ar nėra pažeista laidų izoliacija arba ar nėra pažeisti ar susioksidavę sujungimai.
- sutepti lankstus ir ašis.
- patikrinti, ar visi antrinio transformatoriaus sujungimo varžtai ties svirčių laikiklio jungimu yra gerai suveržti ir ar nėra jokių oksidacijos bei perkaitimo požymių; tokį patį patikrinimą atlikti ir su svirčių užblokavimo ir elektrodų laikiklio varžtais.
- patikrinti, ar antrinio transformatoriaus sujungimo varžtai ties išėjimo strypeliais / tinkleliu yra gerai suveržti ir ar nėra pastebimi oksidacijos ar perkaitimo požymiai.
- patikrinti aparato įžeminimo grandinės bei suvirinimo grandinės (elektrodai)

vientisumą.

- patikrinti, ar antrinio transformatoriaus sujungimo varžtai (jei jie yra) yra gerai suveržti ir ar nėra pastebimi oksidacijos arba perkaitimo požymiai.
 - Po techninės priežiūros ar remonto darbų atlikimo, atnaujinti prieš tai buvusias jungtis ir kabelių sujungimus, atkreipiant dėmesį, kad jie nesuliestų su judančiomis detalėmis arba dalimis, kurios gali įkaisti iki aukštų temperatūrų. Visus laidininkus perrišti dirželiais, kaip buvo anksčiau, atkreipiant dėmesį ir išlaikant tarp jų atskirus pirminės grandinės aukštos įtampos sujungimus nuo antrinių žemos įtampos sujungimų.
- Vėl surenkant konstrukciją, naudoti visas originalias varžles ir varžtus.

7.3 GEDIMŲ PAIEŠKA NEPATENKINAMO ĮRANGOS VEIKIMO ATVEJU, IR PRIEŠ ATLIEKANT SISTEMINĮ PATIKRINIMĄ AR PRIEŠ KREIPIANTIS Į TECHNINIO APTARNAVIMO CENTRĄ, ĮSITIKINTI AR:

- Su veikiančia suvirinimo svirtelė yra iš tiesų paspaustas mikrojungiklis, duodantis sutikimą elektroneinei plokštei dėl suvirinimo.
- Nėra įsijungę šiluminiai saugikliai.
- Elementai, sudarantys antrinės grandinės dalis (svirčių laikiklių sujungimai – svirtys – elektrodų laikikliai) nėra neveiksmingi dėl atsilaisvintų varžtų arba oksidacijos.
- Suvirinimo parametrai (elektrodų jėga ir skersmuo, suvirinimo laikas) yra pritaikyti atliekamam darbui.

1. KONTAKTKEEVITUSE ÜLDINE OHUTUS	65	6.2 PARAMEETRITE SEADISTAMINE	67
2. SISSEJUHATUS JA ÜLDINE KIRJELDUS	66	6.2.1 6.9kA mudelid:	67
2.1 SISSEJUHATUS	66	6.2.2 Mudel 5.8kA:	67
2.2 STANDARDVARUSTUS	66	6.3 TÖÖ KÄIK	67
2.3 LISANA TELLITAV VARUSTUS	66	7. HOOLDUS	67
3. TEHNILISED ANDMED	66	7.1 TAVAPÄRANE HOOLDUS	67
3.1 ANDMEPLAAT (JOON. A)	66	7.2 ERAKORRALINE HOOLDUS	67
3.2 MUUD TEHNILISED ANDMED	66	7.3 RIKETE AVASTAMINE	67
4. PUNKTKEEVITUSMASINA KIRJELDUS	66		
4.1 PÕHILISED OSAD JA SEADISTUSED (JOON. B)	66		
4.2 JUHTIMISPULT (ainult muldeite 6.9kA korral) (JOON. C)	66		
5. PAIGALDAMINE	66		
5.1 KOKKUPANEK	66		
5.2 SEADME TEISALDAMINE	66		
5.3 ASUKOHT	66		
5.4 ÜHENDAMINE VOOLUVÕRKU	66		
5.4.1 Tähelepanu	66		
5.4.2 Pistik ja pistikupesa	66		
6. KEEVITAMINE (Punktimine)	66		
6.1 ETTEVALMISTAVAD TÖÖD	66		

SEADMED KONTAKTKEEVITUSEKS TÖÖSTUSES JA AMETIALASES KASUTUSES.

Märkus: Järgnevas tekstis on kasutusel mõiste „punktkeevitusseade“

1. KONTAKTKEEVITUSE ÜLDINE OHUTUS

Seadmega töötaja peab omama piisavat väljaõpet punktkeevitusseadmega töötamiseks ja olema informeeritud sellega seonduvatest ohtudest, tunda vastavaid kaitsemeetmeid ning ettevaatusabinõusid.



- Elektriline paigaldus tuleb läbi viia vastavalt tööõnnetusi ennetavates nõuetes ja seadustes ette nähtule.
- Punktkeevitusseade peab olema ühendatud üksnes sellise toitesüsteemiga, mille neutraalne juht on maaga ühendatud.
- Veenduge, et pistikupesa oleks korralikult maandusega ühendatud.
- Ärge kasutage vananenud isolatsiooniga või lõtvunud ühendustega juhtmeid.
- Kasutage punktkeevitusseadet keskkonnas, mille õhutemperatuur jääb 5°C ja 40°C vahele ja mille niiskussaste on võrdne 50%-ga temperatuuride puhul kuni 40°C ja 90% temperatuuridel kuni 20°C.
- Ärge kasutage punktkeevitusseadet rõsketes või märgades ruumides või vihma käes.
- Keevitusjuhtmete ühendamine ja igasugune tavapärase õlgu ja/või elektroode puudutav hooldustegevus peab läbi viidama välja lülitatud ja elektrilisest ning suruõhu toitevõrgust (kui on olemas) väljas punktkeevitusseadmega. Sama protseduuri tuleb järgida veeskeemi või suletud vooluringiga jahutusseadmega (veega jahutatavad punktkeevitusseadmed) ühendamisel ja iga parandusprotseduuri puhul (erakorraline hooldus).



- Keelatud on seadmete kasutamine gaasi, tolmu või udu tõttu plahvatusohtlikeks loetavates keskkondades.
- Ärge keevitage mahutite, anumate või torustike peal, mis sisaldavad või on eelnevalt sisaldanud vedelat või gaasilist ainet, mis sisaldab või on eelnevalt sisaldanud vedelat või gaasilist ainet, mis sisaldab või on eelnevalt sisaldanud vedelat või gaasilist ainet, mis sisaldab või on eelnevalt sisaldanud vedelat või gaasilist ainet.
- Vältige töötamist kloorilahustega puhastatud materjalidega või nimetatud ainete läheduses.
- Ärge keevitage surve all mahutitel.
- Eemaldage tööpiirkonnast kõik süttivad ained (näit. Puit, paber, räbalad jne.).
- Laske äsja keevitatud esemel maha jahtuda! Ärge paigutage eset kergesti süttivate ainete läheduses.
- Tagage sobiv õhuringlus või keevitussuitsu eemaldavad vahendid elektroodide läheduses; on vajalik keevitussuitsu piirmäärade süstemaatiline hindamine tulenevalt nende koostisest, kontsentratsioonist ja suitsu sees viibimise kestvusest.



- Kaitske alati silmi vastavate kaitseprillidega.
- Kandke alati kontaktkeevitusega seotud toimingute puhul kaitsekindaid ja rõivaid.
- Mära: Kui eriti intensiivsete keevitusprotseduuride puhul tehakse kindlaks, et müra, milles töötajad viibivad (LEP,d) on võrdne või ületab 85db(A), on kohustuslik individuaalsete kaitsevahendite kasutuselevõtt.



- Punktkeevituse läbivool põhjustab elektrimagnetväljade (EMF) teket punktkeevituse piirkonnas.

Elektrimagnetilised väljad võivad häirida mõnede meditsiiniseadmete tööd (näit. Südamestimulaatorid, hingamisaparaadid, metallist proteesid jne.). Nende seadmete kasutajate kaitsemiseks on vaja kasutusele võtta vastavad kaitsemeetmed. Näiteks keelata juurdepääs punktkeevitusseadmega töötamise piirkonnale.

See punktkeevitusseade vastab tootele kehtestatud tehnilistele standarditele professionaalseteks kasutamiseks tööstuses. Pole tagatud baaspiirmääradele vastavus seoses inimese viibimisega elektrimagnetväljas kodus keskkonnas.

Töötaja peab sooritama järgnevat toimingut ühendamisel elektrimagnetväljade viibimise aega:

- Kinnitama kaks punktkeevituse kaablit võimalikult lähedale (kui on olemas).
- Hoidma pead ja rindkeret punktkeevituse vooluringist võimalikult eemal.
- Mitte kunagi keerama punktkeevituse kaableid (kui on olemas) keha ümber.

- Mitte suunama keha punktkeevituse vooluvõrgu keskele. Hoidma mõlemat kaablit samal kehapoolel.
- Ühendama punktkeevituse voolu tagasisidekaabli (kui on olemas) keevitatava esemega nii lähedale sooritatavale ühendusele kui võimalik.
- Keevitust mitte läbi viima punktkeevitusseadme lähedal, selle peal istudes või toetudes (miinimumkaugus: 50cm).
- Ärge jätke ferromagnetilisi esemeid punktkeevituse piirkonna lähedusse.
- Miinimumkaugus:
 - d= 3cm, f= 50cm (JOON. G);
 - d= 3cm, f= 50cm (JOON. H);
 - d= 30cm (JOON. I);
 - d= 20cm (JOON. L) Studder.



- A klassi seade: See punktkeevitusseade vastab toote tehnilise standardi nõuetele professionaalseteks kasutamiseks tööstuses. Pole tagatud elektrimagnetiline ühilduvus elamutes ja kodusel eesmärgil kasutatavates madalpinge toitevõrguga ühendatud hoonetes.

KASUTUSALA

Seadet tuleb kasutada ühe või enama madala süsiniku sisaldusega terastooriku punktkeevituseks, mille kuju ja mõõdud varieeruvad tulenevalt töö iseloomust.



ÜLEMISTE KEHAOSADE VIGASTAMISE OHT HOIDA KÄED EEMAL TÖÖTAVATEST OSADEST

Punktkeevitusseadme töö iseloom ja töödeldava eseme kuju ja mõõtude muutlikus takistavad täiusliku kaitse loomise ülemiste kehaosade lõmastamise ohtu vältimiseks: sõrm, käsi, käsivarv.

Riski saab vähendada võttes kasutusele mõned ennetavad abinõud:

- Töötaja peab olema asjatundja või omama kontaktkeevituse alast väljaõpet sama tüüpi seadmetel.
- Tuleb hinnata iga sooritatava töö tüpoloogias tulenevat riski; on tarvis kasutada seadmeid ja maske, mille abil toetada ja juhtida töödeldavat objekti nii, et käed ei satuks ohtlikku tsoonile - elektroodide lähedusse.
- Juhul, kui kasutatakse kaasaskantavat punktkeevitusseadet: haarake käpp kindlalt mõlema käega vastavatest käpidemetest; hoidge käed endiselt elektroodidest eemal.
- Seal kus objekti struktuur seda võimaldab, reguleerige elektroodide kaugust nii, et see ei ületataks 6 mm käiku.
- Vältige mitme inimese samaaegset töötamist sama punktkeevitusseadmega.
- Asjasse mitte puutuvatele isikutele peab tööpiirkonnas viibimine olema keelatud.
- Ärge jätke punktkeevitusseadet ilma järelevalveta: sel juhul on kohustuslik see toitevõrgust lahti ühendada; suruõhuhallooniga töötavate punktkeevitusseadmete puhul viige pealüüti asendisse „O“ ja blokeerige see varustusse kuuluva lukuga, võti tuleb välja tõmmata ja anda hoiule vastutavale isikule.
- Kasutage üksnes seadmele ette nähtud elektroode (vaata varuosade loetelu) ilma nende eneste kuju muutmata.

PÕLETUSTE OHT

Mõned punktkeevitusseadme osad (elektroodid – õlad ja lähiümbrus) võivad saavutada temperatuuri, mis ületab 65°C: on vajalik kanda sobivat kaitseriietust.

Laske äsja keevitatud objektile enne selle puudutamist maha jahtuda!

ÜMBERINEMISE JA KUKKUMISE OHT

- Paigutada punktkeevitusseade sobiva kandejõuga horisontaalpinnale; ühendada punktkeevitusseade tugipinnaga (vastavalt selle kasutusjuhendi osas „PAIGALDUS“ ette nähtule). Vastasel juhul, kui on tegemist kaldpindade või liikuvate alustega, esineb ümbermineku oht.
- Keelatud on punktkeevitusseadet tõsta, välja arvatud selle kasutusjuhendi osas „PAIGALDUS“ selleks spetsiaalselt ette nähtud juhul.
- Liigendatud seadme puhul: enne seadme paigutamist teise tööpiirkonda ühendada punktkeevitusseade elektri- ja suruõhutoitest (kui on olemas) lahti. Pöörata tähelepanu maapinnal paiknevatele takistustele ja ebatasasustele (näiteks kaablid ja torud).

EBAOTSTARBEKOHANE KASUTAMINE

Punktkeevitusseadme kasutamine igasuguseks teistsuguseks tööks, milleks see on ette nähtud (vaata ETTE NÄHTUD KASUTAMINE)

6.2 PARAMEETRITE SEADISTAMINE

6.2.1 6.9kA mudelid:

- valige keevitava tooriku paksus, kasutades selleks nuppu (2 - JOON. C), mis asub punktkeevitusmasina juhtimispldil;
- valige keevituse tüüp (pidev või pulseeriv), kasutades selleks klahvi (3 - JOON. C) Vajaduse korral on võimalik suurendada või vähendada vaikimisi kasutatavat keevituskestust, kasutades selleks klahvi (1 - JOON. C)

6.2.2 Mudel 5.8kA:

Keevituskestuse seadistamiseks kasutage potentsiomeetrit (9 - JOON. B1), mis asub punktkeevitusmasina tagaküljel; kasutage korrektse keevispunkti seisukohast võimalike seadistuste skaala kõige madalamaid väärtusi (vt.: 6.3 TÖÖ KÄIK)

6.3 TÖÖ KÄIK

Peale keevitusseadme sisselülitamist tuleb keevituse teostamiseks viia läbi järgnevaid toiminguid:

- toetage alumine elektrood vastu keevitavat toorikut;
- lükake keevituskäpa hoob lõpuni alla - mis tähendab, et alla vajutatakse ka mikrolüliti (8-JOON.B) -, mille tulemusena:
 - a) surutakse toorikud eelnevalt seadistatud jõuga elektrodide vahele;
 - b) toorikuid läbib eelnevalt seadistatud aja jooksul keevitusvool.
- oodake mõni hetk enne hoova lahtilaskmist. See „viivitamine“ (allhoidmine) võimaldab saada paremate mehhaaniliste omadustega keevispunkti

Juhul kui kasutaja ei ole seadme kasutamisel kogunud, on soovitatav enne tööleasumist katsetada seadistusi sama tüüpi ja paksusega toorikutel. Keevispunkti loetakse veatuks, kui see rebeneb proovikeevituse tõmbejõule allutamisel ühest plektahvlist välja.



TÄHELEPANU! Punktkeevitusseade on varustatud kaitsejuhtmega, mis ühendab keevitusringi otse maandusega.

Keevitada tohib ainult siis, kui ühendatavad metallplaadid on maandusest isoleeritud!

Vastasel juhul katkestage koheselt keevitamine ja laske seadme ja punktkeevitusseadme kaitsejuhet kontrollida tehnilist ettevalmistust omava tehnilise töötaja poolt.

7. HOOLDUS



TÄHELEPANU! ENNE HOOLDUSTÖÖDE SOORITAMIST VEENDUGE, ET PUNKTKEEVITUSSEADE ON VÄLJA LÜLITATUD JA ELEKTRILISEST JA PNEUMAATILISEST (kui on olemas) TOITEVÖRGUST VÄLJAS.

Pneumaatilise silindriga töötavate versioonide puhul on vajalik blokeerida lüliti varustusse kuuluva luku abil asendisse "O".

7.1 TAVAPÄRANE HOOLDUS

TAVAPÄRASEID HOOLDUSTÖID VÕIB SOORITADA SEADME OPERAATOR.

- Elektroodi otsiku diameetri ja profiili seadistamine/taastamine;
- Elektrodide joonduse kontroll;
- Vedru laengu kontroll (elektrodide jõud);
- Punktkeevitusseadme ja klemmi toitekaabli terviklikkuse kontroll.
- Elektrodide ja õlgade väljavahetamine;

7.2 ERAKORRALINE HOOLDUS

ERAKORRALISI HOOLDUSTÖÖD PEAVAD OLEMA LÄBI VIIDUD ÜKSNES ELEKTRO.MEHHAANILIST ETTEVALMISTUST OMAVA EKSPERDI POOLT.



TÄHELEPANU! ENNE PUNKTKEEVITUSSEADME PANEELIDE EEMALDAMIST JA JUURDEPÄÄSU SELLE SISEMUSSE, VEENDUGE, ET PUNKTKEEVITUSSEADE OLEKS VÄLJA LÜLITATUD JA ELEKTRILISEST JA PNEUMAATILISEST (kui on olemas) TOITEVÖRGUST VÄLJAS.

Punktkeevitusseadme sisemuses pinge all läbi viidavad võimalikud kontrollid võivad tulenevalt otsesest kontaktist pinge all osadega põhjustada elektrišokki ja vigastusi kokkupuutest liikuvate kehaosadega.

Vastavalt kasutusjuhenditele ja keskkonnaningimustele vaadake perioodiliselt üle punktkeevitusseadme sisemus ja eemaldage transformatorile, türistori moodulile, diodi moodulile, toite klemmliistule jne kogunenud tolm ja metalliosakesed kuiva suruõhuvoo (max 5bar).

Vältige suruõhuvoo suunamist elektroonika skeemidele; vajadusel puhastage neid väga pehme harja või sobivate lahustega.

Sealhulgas:

- Kontrollige, et juhtmete isolatsioon poleks kahjustatud või ühendused lõtvunud-oksüdeerunud.
 - Õlitage liigendeid ja tihvte.
 - Veenduge, et sekundaarse transformatori ühenduskruvid õlgade aluseks olevate valudetailide küljes oleksid korralikult kinni ega leiduks oksüdeerumise või ülekuumenemise märke; sama kehtib õlgade blokeerimiskruvide ja elektrodialuste kohta.
 - Veenduge, et sekundaarse transformatori ühenduskruvid väljundi liistude ja köisjuhtmete küljes oleksid korralikult kinni ega leiduks oksüdeerumise või ülekuumenemise märke.
 - Kontrollige seadme maadusringi pidevust keevitusringiga (elektrodid).
 - Veenduge, et sekundaarse transformatori ühenduskruvid (kui on olemas) oleksid korralikult kinni ega leiduks oksüdeerumise või ülekuumenemise märke.
 - Pärast hooldus- või parandustööde lõpuleviimist taastage ühendused ja kaabeldused nagu nad algselt olid, pöörates tähelepanu, et need ei puutuks kokku liikuvate osadega või kuumenevate osadega. Siduge kõik juhtmed nagu nad algselt olid, hoides lahus primaarsest kõrgpinge all ühendused sekundaarsetest madalpinge all olevatest ühendustest.
- Kasutage riistvara taaskokkupanekuks kõiki tihendusõngad ja originaalkruvisid.

7.3 RIKETE AVASTAMINE

JUHUL, KUI SEADME TÖÖ ON PUUDULIK, SIIS ENNE SÜSTEEMSE KONTROLLI SOORITAMIST VÕI TEHNILIKE ABI KESKUSESSE PÖÖRDUMIST KONTROLLIGE, ET:

- Kasutatava keevituskangiga vajutatakse mikrolüliti, andes elektronskeemile nõusoleku keevitamiseks.
- Poleks käivitunud termokaitseid.
- Sekundaarse vooluringi moodustavad elemendid (õlgade aluseks olevad valudetailid – õlad – elektrodialused) pole lõdvenenud kruvide või oksüdeerumise tõttu töökorras.
- Keevitusparameetrid (elektrodide tugevus ja diameeter, keevitusae) ei ole sooritava tööga kooskõlas.

1. VISPĀRĪGI DROŠĪBAS NOTEIKUMI PRETESTĪBAS METINĀŠANAS LAIKĀ.....	68	6.2.2 Modelis 5.8kA:.....	70
2. IEVADS UN VISPĀRĪGS APRAKSTS.....	69	6.3 DARBA PROCEDŪRA.....	70
2.1 IEVADS.....	69	7. TEHNISKĀ APKOPE.....	70
2.2 SĒRIJAS PAPILDIERĪCES.....	69	7.1 PLĀNOTĀ TEHNISKĀ APKOPE.....	70
2.3 PAPILDIERĪCES PĒC PASŪTĪJUMA.....	69	7.2 ĀRKĀRTAS TEHNISKĀ APKOPE.....	70
3. TEHNISKIE DATI.....	69	7.3 BOJĀJUMU MEKLĒŠANA.....	70
3.1 PLĀKSNĪTE AR DATIEM (ZĪM. A).....	69		
3.2 CITI TEHNISKIE DATI.....	69		
4. PUNKTMETINĀŠANAS APARĀTA APRAKSTS.....	69		
4.1 GALVENĀS SASTĀVDAĻAS UN REGULĒŠANA (ZĪM. B).....	69		
4.2 VADĪBAS ORGĀNU PANELIS (tikai modeļiem 6.9kA) (ZĪM. C).....	69		
5. UZSTĀDĪŠANA.....	69		
5.1 APRĪKOJUMS.....	69		
5.2 PACELŠANAS NOTEIKUMI.....	69		
5.3 IZVIETOJUMS.....	69		
5.4 PIESLĒGŠANA PIE TĪKLA.....	69		
5.4.1 Brīdinājumi.....	69		
5.4.2 Kontaktdakša un rozete.....	69		
6. METINĀŠANA (Punktmetināšana).....	69		
6.1 SAGATAVOŠANAS DARBI.....	69		
6.2 PARAMETRU REGULĒŠANA.....	70		
6.2.1 Modeļi 6.9kA:.....	70		

APARĀTS PRETESTĪBAS METINĀŠANAI RŪPNIECISKAJAI UN PROFESIONĀLAI LIETOŠANAI

Piezīme: Tālāk tekstā tiks izmantots termins „punktmetināšanas aparāts”.

1. VISPĀRĪGI DROŠĪBAS NOTEIKUMI PRETESTĪBAS METINĀŠANAS LAIKĀ

Lietotājam jābūt pietiekoši labi instruētam par punktmetināšanas aparāta drošu izmantošanu un tam ir jābūt informētam par ar pretestības metināšanu saistītajiem riskiem, par atbilstošajiem aizsardzības līdzekļiem un par darbību kārtību negadījumu laikā.



- Veicot elektriskos pieslēgumus, ievērojiet attiecīgus drošības noteikumus un normatīvo aktu prasības.
- Punktmetināšanas aparātu drīkst pieslēgt tikai pie tādas barošanas sistēmas, kurai neitrālais vads ir iezemēts.
- Pārlicinieties, ka barošanas rozete ir pareizi iezemēta.
- Neizmantojiet vadus ar bojāto izolāciju vai ar izjodzītām savienošanas detaļām.
- Lietojiet punktmetināšanas aparātu vietās, kurās temperatūra ir diapazonā no 5°C līdz 40°C un relatīvais mitrums ir vienāds ar 50% temperatūrā līdz 40°C un 90% temperatūrai līdz 20°C.
- Neizmantojiet punktmetināšanas aparātu mitrās vai slapjās vides, kā arī kad līst.
- Metināšanas vadu pieslēgšanas laikā, kā arī sviru un/vai elektrodu jebkuru plānotās tehniskās apkopes laikā punktmetināšanas aparātā jābūt izslēgtam un atvienotam no elektrības tīkla un no pneimatiskā tīkla (ja tas ir pievienots).

Tā pati procedūra ir jāveic, pievienojot to ūdensvada tīklam vai slēgtā kontūra dzesēšanas agregātam (punktmetināšanas aparāti ar ūdens dzesēšanu), kā arī jebkādu remontdarbu laikā (ārkārtas tehniskā apkope).



- Ir aizliegts lietot aparātu vietās, kas klasificētas kā sprādziennedrošas uzliesmojošo gāzu, putekļu vai mikroskopisko daļiņu klātbūtnes dēļ.
- Nemetiniet tvertnes, traukus un cauruļvadus, kuri satur vai saturēja šķidrus vai gāzveida uzliesmojošus produktus.
- Neizmantojiet ar hlora šķīdinātāju apstrādātus materiālus, kas arī neestrādā šo vielu tuvumā.
- Nemetiniet zem spiediena esošos traukus.
- Novāciet no darba vietas visus uzliesmojošus materiālus (piemēram, koka izstrādājumus, papīru, lupatas utt.).
- Pēc metināšanas ļaujiet detaļai atdzist! Nenovietojiet detaļu uzliesmojošu vielu tuvumā.
- Pārlicinieties, ka darba vieta ir piemērota gaisa cirkulācija vai, ka ir paredzēti līdzekļi elektrodu tuvumā esošo metināšanas iztvaikojumu novākšanai; ir jāievada sistemātiskā uzskaites sistēma metināšanas iztvaikojumu robežas novērtēšanai saskaņā ar to sastāvu, koncentrāciju un iedarbības ilgumu.



- Vienmēr aizsargājiet acis ar atbilstošām aizsargbrillēm.
- Velciet aizsargcimdus un aizsargtērpus, kas ir piemēroti pretestības metināšanai.
- Trokšņa līmenis: Ja īpaši intensīvas metināšanas dēļ individuālais dienas trokšņa ekspozīcijas līmenis (LEP,d) ir vienāds vai ir lielāks par 85dB(A), tad obligāti ir jāizmanto atbilstoši individuālie aizsarglīdzekļi.



- Metināšanas strāvas plūsmas dēļ apkārt punktmetināšanas kontūram veidojas elektromagnētiskie lauki (EMF).

Elektromagnētiskie lauki var traucēt dažādu medicīnisko ierīču darbībai (piemēram, elektrokardiostimulatori, elpošanas aparāti, metāla protēzes utt.). Šādu ierīču lietotājiem jāievēro atbilstošie piesardzības noteikumi. Piemēram, viņiem jāizvairās no atbilstošajiem punktmetināšanas aparāta lietošanas zonām.

Šis punktmetināšanas aparāts atbilst tehnisko standartu prasībām, kas attiecas uz rūpnieciskajā vidē profesionālajai lietošanai paredzētajām iekārtām. Nav nodrošināta atbilstība prasībām par elektromagnētisko lauku iedarbību

dzīvojamās telpās.

Operatoram jālieto zemāk norādītās procedūras, lai samazinātu elektromagnētisko lauku iedarbību.

- Savienojiet divus punktmetināšanas vadus (ja tie ir) pēc iespējas tuvāk vienu otram.
- Sekojiet tam, lai jūsu galva un ķermenis atrastos pēc iespējas tālāk no punktmetināšanas kontūra.
- Nekādā gadījumā neapņemat punktmetināšanas vadus (ja tie ir) apkārt ķermenim.
- Nemetiniet, kamēr jūsu ķermenis atrodas punktmetināšanas kontūra iekšpusē. Sekojiet tam, lai abi vadi atrastos vienā ķermeņa pusē.
- Pievienojiet punktmetināšanas strāvas atgriešanas vadu (ja tas ir) pie metināmās detaļas pēc iespējas tuvāk metināmā savienojuma vietai.
- Punktmetināšanas laikā nestāviet blakus punktmetināšanas aparātam, kā arī nesēdīet un neatbalstīties pret to (minimālais attālums: 50 cm).
- Sekojiet tam, lai punktmetināšanas kontūra tuvumā nebūtu feromagnētisko priekšmetu.
- Minimālais attālums:
 - d= 3cm, f= 50cm (ZĪM. G);
 - d= 3cm, f= 50cm (ZĪM. H);
 - d= 30cm (ZĪM. I);
 - d= 20cm (ZĪM. L) Studder.



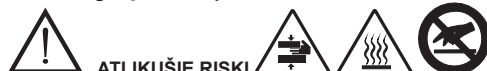
- A klases ierīce:

Šis punktmetināšanas aparāts atbilst tehnisko standartu prasībām, kas attiecas uz rūpnieciskajā vidē profesionālajai lietošanai paredzētajām iekārtām.

Nav nodrošināta elektromagnētiskā saderība dzīvojamajās mājās, kā arī ēkās, kuras ir pa tiešo savienotas ar zema sprieguma tīklu, kas paredzēts dzīvojamajām mājām.

PAREDZĒTAIS LIETOŠANAS VEIDS

Aparātu to izmanto vienas vai vairāku dažādu formu un izmēru tērauda lokšņu ar zemu oglekļa saturu punktmetināšanai.



ATLIKUŠIE RISKI

AUGŠĒJO EKSTREMĪTĀŠU SASPIEŠANAS RISKS

NEPIETUVINĒTI ROKAS ROTĒJĒŠĀM DAĻĀM!

Punktmetināšanas aparāta darbības veids un apstrādājamo detaļu formu un izmēru mainīgums neļauj izveidot integrālo aizsardzību pret augšējo ekstremitāšu saspišanas bīstamību: pirksti, roka, apakšdelms.

Šis risks ir jāsamazina ar piemērotu piesardzības pasākumu palīdzību:

- Operatoram jābūt kvalificētam vai instruētam par pretestības metināšanas darba procedūru, izmantojot šī veida aparātu.
- Jānovērtē risks katram veicamam darba tipam; ir jāsaprot apriņķojums un aizsargi, kas paredzēti apstrādājamās detaļas turēšanai un virzīšanai, lai rokas atrastos drošā attālumā no elektrodiem
- Portatīvā punktmetināšanas aparāta lietošanas gadījumā: cieši satveriet spaili ar abām rokām aiz speciāliem rokturiem; rokām vienmēr jātur drošā attālumā no elektrodiem.
- Visos gadījumos, kad detaļas forma to atļauj, neregulējiet attālumu starp elektrodiem tā, lai gājiens nebūtu lielāks par 6 mm.
- Sekojiet tam, lai vairāki cilvēki vienlaicīgi neizmanto vienu un to pašu punktmetināšanas aparātu.
- Nepiederošām personām ir jāizvairās no darba zonām.
- Neatstājiet punktmetināšanas aparātu bez uzraudzības: šajā gadījumā tas ir obligāti jāatvieno no barošanas tīkla; punktmetināšanas aparātu ar pneimatisko cilindru gadījumā uzstādiet galveno slēdzi stāvoklī „O” un noblokējiet to ar komplektācijā esošās slēdzenes palīdzību, atslēga ir jāizņem un jāiedod atbildīgajam darbiniekam.
- Izmantojiet tikai aparātam paredzētos elektrodus (skatīt rezerves daļu sarakstu) un nemainiet to formu.

APDEGUMU GŪŠANAS RISKS

Dažas punktmetināšanas aparāta detaļas (elektrodi, sviras un blakus esošas zonas) var sasniegt temperatūru, kas lielāka par 65°C: ir obligāti jāizmanto atbilstošie aizsargtērpi.

Pēc metināšanas ļaujiet detaļai atdzist pirms pieskaraties tai!

APGĀŠANĀS UN NOKRIŠANAS RISKS

- Novietojiet punktmetināšanas aparātu uz horizontālas virsmas, kuras

- 2- Elektrodu izlīdzinājums un spēks:
 - uzmanīgi nobloķējiet apakšējo elektrodu veicamajam darbam vispiemērotākajā pozīcijā,
 - atslābiniet augšējā elektroda sprostskrūves, lai ļautu tam pārvietoties sviras atverē,
 - novietojiet starp elektrodiem starpliku, kuras biežums ir vienāds ar metināmo loksni biežumu,
 - **ZĪM. D** aizveriet 2. sviru, lai metināšanas rokas būtu paralēlas un elektrodu uzgali sakristu; pieskrūvējiet komplektācijā esošo 3. skrūvi (d.M6) 1. atverē, lai nobloķētu sviru spēka regulēšanai piemērotā pozīcijā,
 - nobloķējiet augšējo elektrodu pareizajā pozīcijā, uzmanīgi pievelkot skrūvi,
 - noregulējiet punktmetināšanas laikā elektrodu pielietojamo spēku ZĪM.E ar regulēšanas skrūves (1) palīdzību, izmantojot komplektācijā esošo atslēgu; iestatītā vērtībā, atkarībā no indikatora pozīcijas uz graduētas skalas, ir norādīta ZĪM. F. Tabulā TAB. 6 ir norādīta dažāda garuma metināšanas rokām iegūstama spēka vērtība.
 - Skrūvējiet pulksteņrādītāja virzienā (pa labi), lai palielinātu spēku proporcionāli loksnes biežumam, noregulējot to tā, lai spaiļes aizvēršanai un atbilstoša mikroslēdža ieslēgšanai nav jāpielieto pārmērīgs spēks.

6.2 PARAMETRU REGULĒŠANA

6.2.1 Modeļi 6.9kA:

- izvēlieties metināmas loksnes biežumu, izmantojot pogu (2 - ZĪM. C), kas atrodas punktmetināšanas aparāta vadības panelī;
 - izvēlieties punktmetināšanas tipu (nepārtrauktu vai pulsējošu), izmantojot pogu (3 - ZĪM. C).
- Nepieciešamības gadījumā punktmetināšanas noklusējuma ilgumu var palielināt vai samazināt, izmantojot pogu (1 - ZĪM. C).

6.2.2 Modelis 5.8kA:

Noregulējiet punktmetināšanas ilgumu, izmantojot punktmetināšanas aparāta aizmuģurē esošo potenciometru (9 - ZĪM.B1); lietojiet pēc iespējas zemākas vērtības, kas ir piemēroti metināta punkta pareizai izpildīšanai (skatiet: 6.3 DARBA PROCEDŪRA).

6.3 DARBA PROCEDŪRA

Pēc punktmetināšanas aparāta barošanas ieslēgšanas veiciet sekojošas darbības, lai veiktu punktmetināšanu:

- atbalstiet apakšējo elektrodu pret metināmo loksni;
- ieslēdziet spaiļes augšējo sviru ar gala slēdzi, lai tiktu nospiests mikroslēdzis (8-ZĪM.B), lai panāktu:
 - a) loksnes saspiešanu starp elektrodiem ar iepriekš iestatīto spēku;
 - b) metināšanas strāvas padevi iepriekš iestatīto laiku.
- atlaidiet spaiļes sviru tikai pēc kāda brīža. Šī aizkave (sviras turēšana) nodrošina metinātā punkta labākus mehāniskos raksturojumus.

Pieredzes trūkuma gadījumā tiek rekomendēts veikt dažus punktmetināšanas izmēģinājumus, izmantojot loksnes ar tādu pašu kvalitāti un biežumu kā apstrādājamajām loksņēm.

Metināšanas punkta izpildījums tiek uzskatīts par pareizu, ja izstiepšanas pārbaudes laikā tiek izņemts metināšanas punkta kodols no kādas no divām loksņēm.



UZMANĪBU! Punktmetināšanas aparāts ir aprīkots ar aizsargvadu, kas metināšanas kontūru pa tiešo savieno ar zemi.

Veiciet metināšanu tikai tajā gadījumā, ja savienojamas loksnes ir elektriski izolētas no zemes!

Pretējā gadījumā nekavējoties pārtrauciet metināšanu un palūdziet pieredzējušajam vai kvalificētajam tehnikajam speciālistam pārbaudīt iekārtas un punktmetināšanas aparāta aizsargvadu.

7. TEHNISKĀ APKOPE



UZMANĪBU! PIRMS TEHNISKAS APKOPES VEIKŠANAS PĀRLIECINIETIES, KA PUNKTMETINĀŠANAS APARĀTS IR IZSLĒGTS UN ATVIENOTS NO ELEKTRĪBAS UN SASPIESTĀ GAISA AVOTIEM (ja tas ir pievienots).

Modeļos ar piedziņu no pneimatiskā cilindra slēdzis ir jānobloķē pozīcijā "O" ar komplektācijā esošās slēdzenes palīdzību.

7.1 PLĀNOTĀ TEHNISKĀ APKOPE

PLĀNOTO TEHNISKO APKOPI VAR VEIKT OPERATORS.

- elektroda uzgaļa diametra un profila pielāgošana/atjaunošana;
- elektrodu izlīdzināšanas pārbaude;
- atsperes spriegojuma pārbaude (elektrodu spēks);
- punktmetināšanas aparāta barošanas vada un kontaktdakšas integritātes pārbaude;
- elektrodu un sviru maiņa;

7.2 ĀRKĀRTAS TEHNISKĀ APKOPE

ĀRKĀRTAS TEHNISKO APKOPI VAR VEIKT TIĶAI PIEREDZĒJUŠAIS VAI KVALIFICĒTAIS PERSONĀLS, KURAM IR ZINĀŠANAS ELEKTRĪBAS UN MEHĀNIKAS JOMĀ.



UZMANĪBU! PIRMS PUNKTMETINĀŠANAS APARĀTA PANEĻU NOŅEMŠANAS UN PIEKLŪŠANAS TĀ IEKŠĒJAI DAĻAI PĀRLIECINIETIES, VAI PUNKTMETINĀŠANAS APARĀTS IR IZSLĒGTS UN ATVIENOTS NO BAROŠANAS TĪKLA UN NO PNEIMATISKĀ TĪKLA (ja tas ir pievienots).

Veicot pārbaudes, kamēr punktmetināšanas aparāta iekšējās daļas ir pieslēgtas spriegumam, var gūt smagu elektrošoku, pieskaroties pie šīm daļām. Turklāt var savainoties, pieskaroties pie kustīgajām daļām.

Periodiski, biežums ir atkarīgs no ekspluatācijas režīma un apkārtējās vides apstākļiem, pārbaudiet punktmetināšanas aparāta iekšējo daļu un notīriet uz transformatora, tīrīstora moduļa, diožu moduļa, barošanas spaiļu paneļa u.c. esošos putekļus un metāla daļiņas ar sausā saspīestā gaisa strūklu palīdzību (maks. spiediens 5 bar).

Nevirziet saspīestā gaisa strūklu elektronisko plašu virzienā; to tīrīšanai izmantojiet ļoti mīkstu birsti vai piemērotus šķīdinātājus.

Pie reizes:

- pārbaudiet, vai uz vada izolācijas nav bojājumu un vai savienojumi nav izlodzījušies/oksidējuši.
- ieeļļojiet šarnīrus un pirkstus.
- pārbaudiet, vai skrūves, kas savieno transformatora sekundāro tinumu ar sviru turētāju, ir labi pieskrūvētas un uz tām nav oksidēšanās vai pārkaršanas pazīmju; tas pats attiecas uz sviru bloķēšanas skrūvēm un elektrodu turētājiem.

- pārbaudiet, vai transformatora sekundārā tinuma un izejas stieņu / appinuma savienotājskrūves ir labi pieskrūvētas un uz tām nav oksidēšanās un pārkaršanas pazīmju.
- pārbaudiet, vai mašīnas iezemēšanas kontūrs un metināšanas (elektrodu) kontūrs ir elektriski savienots.
- pārbaudiet, vai transformatora sekundārā tinuma savienotājskrūves (ja tās ir) ir labi pievilktas un uz tām nav oksidēšanās un pārkaršanas pazīmju.
- Pēc tehniskās apkopes vai remonta veikšanas pievienojiet savienojumus un kabelus tā, kā tie bija pievienoti sākotnēji, sekojot tam, lai tie nenonāktu saskarē ar kustīgajām daļām vai daļām, kuru temperatūra var būtiski paaugstināties. Piestipriniet visus vadus ar savilcējiem tā, kā tie bija piestiprināti sākotnēji, sekojot tam, lai primārā kontūra augstsprieguma savienojumi būtu pienācīgi atdalīti no sekundārā kontūra zemsprieguma savienojumiem.
- Saliekot konstrukciju, uzstādiat atpakaļ visas paplāksnes un skrūves.

7.3 BOJĀJUMU MEKLĒŠANA

GADĪJUMĀ JA APARĀTA DARBĪBA IR NEAPMIERINOŠA, PIRMS PAMATĪGĀKU PĀRBAUŽU VEIKŠANAS UN PIRMS GRIEZTIES TEHNISKĀS PALĪDZĪBAS CENTRĀ, PĀRBAUDIET ŠĀDAS LIETAS:

- Metināšanas svira ir ieslēgta un ir pienācīgi nospīests mikroslēdzis, kas ļauj elektroniskajai shēmai veikt metināšanu.
- Termiskās aizsargierīces nebloķē darbību.
- Pēc tehniskās apkopes vai remonta veikšanas pievienojiet savienojumus un kabelus tā, kā tie bija pievienoti sākotnēji, sekojot tam, lai tie nenonāktu saskarē ar kustīgajām daļām vai daļām, kuru temperatūra var būtiski paaugstināties.
- Sekundārā kontūra sastāvdaļu (sviru turētāju) efektivitāte nav pasliktinājusies izlodzījumu skrūvju vai oksidēšanās dēļ.
- Metināšanas parametri (elektrodu spēks un diametrs, metināšanas ilgums) ir piemēroti veicamajam darbam.

1. ОБЩИ ПРАВИЛА ЗА БЕЗОПАСНОСТ ПРИ СЪПРОТИВИТЕЛНО ЗАВАРЯВАНЕ	стр. 71
2. УВОД И ОБЩО ОПИСАНИЕ	72
2.1 УВОД	72
2.2 АКЕСОАРИ КЪМ СЕРИЯТА	72
2.3 АКЕСОАРИ ПО ЗАЯВКА	72
3. ТЕХНИЧЕСКИ ДАННИ	72
3.1 ТАБЛИЦА С ДАННИ (ФИГ. А)	72
3.2 ДРУГИ ТЕХНИЧЕСКИ ДАННИ	72
4. ОПИСАНИЕ НА АПАРАТА ЗА ТОЧКОВО ЗАВАРЯВАНЕ	72
4.1 ОСНОВНИ КОМПОНЕНТИ И НАСТРОЙКИ (ФИГ. В)	72
4.2 КОМАНДЕН ПАНЕЛ (само в модели 6.9kA) (ФИГ. С)	72
5. ИНСТАЛИРАНЕ	72
5.1 ПОДГОТОВКА	72
5.2 НАЧИНИ ЗА ПОВДИГАНЕ	72
5.3 МЕСТОПОЛОЖЕНИЕ	72
5.4 СВЪРЗВАНЕ С МРЕЖАТА	72
5.4.1 Предупреждения	72
5.4.2 Щепсел и контакт	73
6. ЗАВАРЯВАНЕ (Точково заваряване)	73
6.1 ПРЕДВАРИТЕЛНИ ОПЕРАЦИИ	73
6.2 РЕГУЛИРАНЕ НА ПАРАМЕТРИТЕ	73

6.2.1 Модели 6.9kA:	стр. 73
6.2.2 Модел 5.8kA:	73
6.3 ПРОЦЕДУРА	73
7. ПОДДРЪЖКА	73
7.1 ОБИКНОВЕНА ПОДДРЪЖКА	73
7.2 ИЗВЪНРЕДНА ПОДДРЪЖКА	73
7.3 ОТКРИВАНЕ НА ПОВРЕДИ	73

АПАРАТУРА ЗА СЪПРОТИВИТЕЛНО ЗАВАРЯВАНЕ ЗА ИНДУСТРИАЛНА И ПРОФЕСИОНАЛНА УПОТРЕБА.
Забележка: В текста, който следва ще бъде използван терминът „апарат за точково заваряване“.

1. ОБЩИ ПРАВИЛА ЗА БЕЗОПАСНОСТ ПРИ СЪПРОТИВИТЕЛНО ЗАВАРЯВАНЕ

Операторът трябва да бъде достатъчно информиран относно безопасната употреба на апарата за точково заваряване и рисковете, свързани с различните методи на съпротивително заваряване, съответните мерки за безопасност и действие в критични ситуации.



- Електрическата инсталация трябва да бъде направена съгласно действащите закони за предпазване от трудови злополуки.
- Апаратът за точково заваряване трябва да бъде свързан единствено със захранваща система с неутрален заземен проводник.
- Уверете се, дали контактът за електрическо захранване е правилно заземен.
- Да не се използват кабели с повредена изолация или разхлабени връзки.
- Използвайте апарата за точково заваряване при температура на околната среда между 5°C и 40°C и относителна влажност равна на 50% при температури до 40°C и на 90% при температури до 20°C.
- Не използвайте апаратът за точково заваряване във влажна или мокра среда или при дъжд.
- Свързването на заваръчните кабели и всяка операция по обикновена поддръжка върху раменете и/или електродите трябва да бъдат извършени при изгасен и изключен апарат за точково заваряване от захранващата електрическа или пневматична мрежа (ако има такава). Същата процедура трябва да бъде спазвана при свързването към хидравличната мрежа или към охлаждаща единица със затворена система (апарати за точково заваряване, охлаждащи с вода) и при поправка (извънредна поддръжка).



- Забранява се употребата на апаратурата в среда със зони класифицирани като рискови за експлозия, поради наличието на газове, прах или изпарения.
- Да не се заварява върху контейнери, съдове или тръбопроводи, които съдържат или са съдържали течни или газообразни запалими продукти.
- Да се избягва извършването на работа върху материали, почиствани с разтворители, съдържащи хлор или в близост с такива вещества.
- Да не се заварява върху съдове под налягане.
- Да се поставят далеч от работното място всякакви лесно запалими предмети (напр. дърво, хартия, парцали, и т.н.).
- Оставете току-що заварения детайл да се охлади! Не поставяйте детайла в близост до запалими вещества.
- Да се подсигури подходящо проветрение или вентилация, които да позволят отвеждането на пушеците, получени при заваряването в близост до електродите; необходим е системен подход за оценка на границите на излагане на пушеците, получени при заваряване, според техния състав, концентрация и престоя в такава среда.



- Винаги предпазвайте очите със съответните предпазни очила.
- Носете ръкавици и облекло, подходящи за работа при съпротивително заваряване.
- Шум: Ако поради особено интензивни операции се установи ниво на ежедневна персонална експозиция на шум (LEP,d) равно или по-голямо от 85dB(A), е задължителна употребата на подходящи средства за лична защита.



- Преминването на тока на точково заваряване може да предизвика появата на електромагнитни полета (EMF), локализиращи около системата за точково заваряване.

Електромагнитните полета могат да повлияят върху функционирането на някои медицински апарати (напр. Пейс-мейкъри, респиратори, метални протези и т.н.).

Трябва да се предприемат адекватни предпазни мерки за лицата, които носят такива апарати. Например да се забрани достъпа до зоната на използване на апарата за точково заваряване.

Този апарат за точково заваряване отговаря на изискванията на техническите стандарти за продукти, които се употребяват само в индустриална среда и с професионална цел. Не се гарантира съответствието с основните граници на експозиция на човека на въздействието на електромагнитни полета в домашна среда.

Операторът трябва да спазва следните процедури, така че да намали експозицията на въздействието на електромагнитни полета:

- Закрепете заедно и възможно най-близко двата кабели на точково заваряване (ако има такива).
- Старайте се да държите главата и тялото максимално отдалечени от системата за точково заваряване.
- Никога не увивайте кабелите за точково заваряване (ако има такива) около тялото.
- Не извършвайте точково заваряване, ако сте сред системата за точково заваряване. Дръжте двата кабели от една и съща страна на тялото.
- Свържете изходния кабел на тока за точково заваряване (ако има такъв) за детайла, по който трябва да се извършва точково заваряване, възможно най-близко до обработвания детайл.
- Да не се извършва точково заваряване в близост до апарата, седнали или облежани на него (минимално разстояние: 50cm).
- Не оставяйте феромагнитни предмети в близост до системата за точково заваряване.
- Минимално разстояние:
 - d = 3cm, f = 50cm (ФИГ. G);
 - d = 3cm, f = 50cm (ФИГ. H);
 - d = 30cm (ФИГ. I);
 - d = 20cm (ФИГ. L) Studer.



- Апаратура клас А:

Този апарат за точково заваряване отговаря на изискванията на техническите стандарти за продукти, които се употребяват само в индустриална среда и с професионална цел.

Не се гарантира съответствието с електромагнитната съвместимост на жилищните сгради и на тези които директно са свързани към захранваща мрежа ниско напрежение, която захранва жилищните сгради.

УПОТРЕБА ПО ПРЕДНАЗНАЧЕНИЕ

Съоръжението трябва да се използва за точково заваряване на една или повече стоманени ламарини с ниско съдържание на въглерод, с различна форма и размери в зависимост от обработката, която трябва да се извърши.



ДРУГИ РИСКОВЕ

РИСК ОТ ПРЕМАЗВАНЕ НА ГОРНИТЕ КРАЙНИЦИ
НЕ ПОСТАВЯЙТЕ РЪЦЕТЕ В БЛИЗОСТ ДО ДВИЖЕЩИ СЕ ЧАСТИ!

Режимите на функциониране на апарата за точково заваряване и изменчивостта във формата и размерите на обработвания детайл възпрепятстват осъществяването на интегрирана защита от опасността за премазване на горните крайници: пръсти, ръка, предна част на ръката. Рискът трябва да бъде намален като се предприемат съответните предпазни мерки:

- Операторът трябва да има опит или да бъде обучен относно методите на съпротивително заваряване с този тип апаратура.
- Трябва да бъде извършена оценка на риска за всеки тип работа, която трябва да се извърши; необходимо е да се подсигури подходящото оборудване и маскировка за придържане и направляване на обработвания детайл, така че ръцете да се отдалечат от опасната зона от опасната зона на електродите.
- В случай че се използва портативен апарат за точково заваряване: хванете здраво щипката с двете ръце, поставени на специалните ръкохватки; дръжте ръцете винаги далеч от електродите.
- Във всички случаи, когато структурата на детайла позволява, регулирайте разстоянието на електродите, така че ходът да не става по-дълъг от 6 mm.
- Не позволявайте на повече от един човек да работи едновременно на един и същ апарат за точково заваряване.

- Трябва да бъде забранен достъпът на външни хора до зоната на работа.
- Не оставяйте без надзор апаратът за точково заваряване; в този случай е задължително да я изключите от захранващата мрежа; при апаратите за точково заваряване със задействане с пневматичен цилиндър, поставете главния прекъсвач в "О" и го блокирайте с предостановия катинар, ключът трябва да се извади и съхранява от отговорно лице.
- Използвайте единствено електродите, предвидени за машината (виж списък с резервни части) без да промените формата им.

- РИСК ОТ ИЗГАРЯНИЯ

Някои части на апарата за точково заваряване (електроди - рамене и съседните зони) могат да достигнат температура над 65°C: необходимо е да се носи съответното предпазно облекло. Оставете току-що заварения детайл да се охлади, преди да го пипате!

- РИСК ОТ ПРЕОБРЪЩАНЕ И ПАДАНЕ

- Поставете апарата за точково заваряване върху хоризонтална повърхност със съответната товароносимост; свържете апарата за точково заваряване на мястото на поставяне (както е предвидено в раздел "ИНСТАЛАЦИЯ" на настоящето ръководство). В противен случай, при наклонени и неравни подове, подвижна повърхност, на която е поставен апаратът, съществува риск от преобръщане.
- Забранено е повдигането на парата за точково заваряване, освен в случаите, когато е изрично предвидено в раздел "ИНСТАЛАЦИЯ" на това ръководство.
- В случай, че се използват машини на колички: изключете апарата за точково заваряване от захранващата електрическа или пневматична инсталация (ако има такава) преди да преместите единичата в друга зона за работа. Обърнете внимание за наличие на препятствия или неравности на терена (например кабели и тръби).

- УПОТРЕБА НЕ ПО ПРЕДНАЗНАЧЕНИЕ

Употребата на апарата за точково заваряване за обработчи различни от предвидените е опасна (виж УПОТРЕБА ПО ПРЕДНАЗНАЧЕНИЕ)



ЗАЩИТИ И ПРЕГРАДИ

Защитите и подвижните части на кожуха на апарата за точково заваряване трябва да бъдат на мястото си, преди да бъде включен към захранващата мрежа.

ВНИМАНИЕ! Всяка ръчна интервенция върху достъпните подвижни части на апарата за точково заваряване като например:

- Подмяна и поддръжка на електроди
 - Регулиране на положението на рамена и електроди
- ТРЯБВА ДА БЪДЕ ИЗВЪРШЕНО ПРИ СПРЯН И ИЗКЛЮЧЕН ОТ ЗАХРАНВАЩАТА ЕЛЕКТРИЧЕСКА ИЛИ ПНЕВМАТИЧНА ИНСТАЛАЦИЯ (ако има такава) АПАРАТ ЗА ТОЧКОВО ЗАВАРЯВАНЕ. ГЛАВЕН ПРЕКЪСВАЧ БЛОКИРАН В ПОЛОЖЕНИЕ "О" СЪС ЗАКЛЮЧЕН КАТИНАР И ИЗВАДЕН КЛЮЧ при моделите със задвижване с ПНЕВМАТИЧЕН ЦИЛИНДЪР).**

СЪХРАНЕНИЕ

- Поставете машината и нейните аксесоари (с или без опаковка) в затворени помещения.
 - Относителната влажност на въздуха не трябва да надвишава 80%.
 - Температура на околната среда трябва да бъде между -15°C и 45°C.
- В случай, че машината е оборудвана и единица за охлаждане и температурата на околната среда е под 0°C: добавете предвидения антифриз или изпразнете изцяло хидравличната инсталация и резервоара за вода. Предприемайте винаги подходящи мерки за предпазване на машината от влага, мръсотии и корозия.

2. УВОД И ОБЩО ОПИСАНИЕ

2.1 УВОД

Преносим апарат за точково съпротивително заваряване.

Серията се състои от 3 модела:

- **5.8kA:**
Преносим апарат за точково заваряване с електронен таймер. Позволява прецизно изпълнение на точките на заваряване, благодарение на електронния контрол на времето на заваряване и регулирането на силата на електродите. С възможност да извършва точково заваряване върху стоманена ламарина с ниско съдържание на въглерод (стандартни рамене) до дебелина 1+1 mm.
- **6.9kA (230V):**
Преносим апарат за точково заваряване с цифров контрол и микропроцесор. Основните характеристики, които се управляват от контролния панел са:
- Избор на дебелина на ламарините, върху които трябва да се извърши точково заваряване.
- Корекция на времето за точково заваряване.
- Възможност за включване на импулсен режим на заваръчния ток.
- Регулиране на силата на точковото заваряване.
- С капацитет да извършва точково заваряване върху стоманена ламарина с ниско съдържание на въглерод (стандартни рамене) до дебелина 2+2 mm.
- **6.9kA (400V):**
Преносим апарат за точково заваряване с цифров контрол и микропроцесор. Със същите характеристики, както модел 6.9kA (230V), но функциониращ със захранващо напрежение от 400V(380V-415V).

2.2 АКСЕСОАРИ КЪМ СЕРИЯТА

Стандартния апарат за точково заваряване включва рамене от 120 mm и стандартни електроди.

2.3 АКСЕСОАРИ ПО ЗАЯВКА

- Двойка рамене и електрод с различна дължина и/или форма, също и в кит, включващ няколко чифта.
- Количка за раменете: позволява поставянето на апарата за точково заваряване и аксесоарите.

3. ТЕХНИЧЕСКИ ДАННИ

3.1 ТАБЛИЦА С ДАННИ (ФИГ. А)

Основните данни, свързани с употребата и работата на апарата за точково заваряване, са обобщени в таблицата с техническите характеристики със следните значения:

- 1- Брой на фазите и честота на захранващата линия.
- 2- Захранващо напрежение.
- 3- Номинална мощност на мрежата с отношение на прекъсване на 50%.
- 4- Мощност на мрежата при постоянен режим (100%).
- 5- Максимално напрежение при празен ход на електродите.

- 6- Максимален ток с електроди в късо съединение.
- 7- Максимална сила, упражнявана от електродите.
- 8- Ток на вторичната намотка на трансформатора при постоянен режим (100%).

Забележка: Така представената табела с технически характеристики показва значението на символите и цифрите; точните стойности на техническите параметри на апарата за точково заваряване трябва да бъдат проверени директно от табелата на машината.

3.2 ДРУГИ ТЕХНИЧЕСКИ ДАННИ

Общи характеристики: ТАБ. 1.

Маса на апарата за точково заваряване: ТАБ. 7.

4. ОПИСАНИЕ НА АПАРАТА ЗА ТОЧКОВО ЗАВАРЯВАНЕ

4.1 ОСНОВНИ КОМПОНЕНТИ И НАСТРОЙКИ (ФИГ. В)

- 1- Винт за регулиране на силата на електродите.
- 2- Ръкохватка, позиционираща се отдясно/отляво.
- 3- Отвор за евентуално монтиране на шарниран болт.
- 4- Заваръчно рамо подвижно.
- 5- Заваръчно рамо неподвижно.
- 6- Захранващ кабел.
- 7- Таблица с характеристики.
- 8- Микросуич.
- 9- Регулиране на времето за точково заваряване (само в модел 5.8kA (ФИГ. В1)); за модели 6.9kA виж 4.2: КОМАНДЕН ПАНЕЛ.
- 10- Лост за точково заваряване.

4.2 КОМАНДЕН ПАНЕЛ (само в модели 6.9kA) (ФИГ. С)

- 1- **Бутон за корекция на времето за точково заваряване:** настроите времето за точково заваряване като се съобразите с фабричните настройки-default.
- 2- **Бутон за избор на дебелина на ламарината:** избира дебелината на ламарината, върху която трябва да се извърши точково заваряване.
- 3- **Бутон за избор на режим за точково заваряване:**



: заваръчния ток е импулсен.

Като направите тази селекция се подобрява капацитета на точково заваряване върху валцовани ламарини или ламарини със специално защитно фолио. Времетраенето на импулсния режим се определя автоматично, не е необходимо регулиране.

—: нормално точково заваряване.

4- ИНДИКАТОРНИ ЛАМПИ за сигнализиране на намесата на термичната защита.

Двете индикаторни лампи мигат последователно, останалите индикаторни лампи са изгасени, като по този начин сигнализират блокиране на апарата за точково заваряване, поради прекалено висока температура; възобновяването на работата е автоматично, при връщането на температурата в предвидените граници.

5. ИНСТАЛИРАНЕ



ВНИМАНИЕ! ВСИЧКИ ОПЕРАЦИИ ПО ИНСТАЛИРАНЕ И ОПЕРАЦИИ ПО ЕЛЕКТРИЧЕСКОТО И ПНЕВМАТИЧНО СВЪРЗВАНЕ ДА СЕ ИЗВЪРШВАТ САМО ПРИ НАПЪЛНО ЗАГАСЕН И ИЗКЛЮЧЕН ОТ ЕЛЕКТРИЧЕСКАТА МРЕЖА, АПАРАТ ЗА ТОЧКОВО ЗАВАРЯВАНЕ. ЕЛЕКТРИЧЕСКИТЕ СВЪРЗВАНИЯ ТРЯБВА ДА БЪДАТ ИЗВЪРШВАНИ ЕДИНСТВЕНО ОТ ОБУЧЕН И КВАЛИФИЦИРАН ЗА ТАЗИ ДЕЙНОСТ, ПЕРСОНАЛ.

5.1 ПОДГОТОВКА

Разопаковайте апарата за точково заваряване, извършете свързванията на отделните части, които се съдържат в опаковката.

5.2 НАЧИНИ ЗА ПОВДИГАНЕ

ВНИМАНИЕ! Всички апарати за точково заваряване, описани в настоящето ръководство са без устройства за повдигане; в случай, че желаете, поставете шарнирана гайка, за да закачите апарата за точково заваряване, като използвате отвор (ФИГ. F (2)), внимавайте резбованата част да не прониква повече от 8mm.

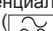
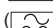
5.3 МЕСТОПОЛОЖЕНИЕ

Определете в зоната на инсталиране достатъчно обширно пространство без препятствия, така че да гарантира достъпа до командния панел и работното място (електроди) в пълна безопасност. Уверете се, дали няма препятствия пред съответния отвор за вход и изход на охлаждащия въздух; в същото време уверете се, че не се всмукват пращинки, корозивни изпарения, влага и т.н.

Поставете апарата за точково заваряване върху равна повърхност, от хомогенен и компактен материал, подходяща да издържи товара (виж "технически данни"), за да се избегне опасността от преобръщане или опасно преместване.

5.4 СВЪРЗВАНЕ С МРЕЖАТА

5.4.1 Предупреждения

- Преди да се извърши, каквото и да е електрическо свързване, проверете върху табелата с технически характеристики на апарата за точково заваряване, дали данните отговарят на напрежението и честотата на мрежата при мястото на инсталация.
- Апаратът за точково заваряване трябва да бъде свързан единствено със захранваща система със занулен и вземем проводник.
- За да се гарантира защита срещу индиректен контакт, да се използват диференциални прекъсвачи от типа:
- Тип А () за монофазните машини;
- Тип В () за трифазните машини.

- С цел да се удовлетворят изискванията на Стандарт EN 61000-3-11 (Flicker) се препоръчва свързването на апарата за точково заваряване към интерфейсите точки на захранващата мрежа, които са с импеданс по-малък от Zmax = 0.179 ohm.

- Апаратът за точково заваряване не отговаря на изискванията на стандарт IEC/EN 61000-3-12. Ако апаратът за точково заваряване трябва да се свърже към обществена захранваща мрежа, лицето, което го инсталира или използва трябва да провери, дали може да бъде свързан (ако е необходимо, да се направи консултация с разпределителното дружество).

5.4.2 Щепсел и контакт

Свържете към захранващия кабел нормализиран щепсел (3P+T : използват се само 2 полюса за МЕЖДУФАЗОВО свързване 400V; 2P+T: свързване 230V МОНОФАЗНО) с подходяща издръжливост и да се предвиди контакт за мрежата, обезопасен с предпазители или с автоматичен магнитотермичен прекъсвач; специалната заземяваща клема трябва да бъде свързана със заземяващия проводник (жълто-зелен) на захранващата линия.

Начините на свързване и броят на полюсите на щепсела, който трябва да се използва, според системата за разпределение и захранването напрежение на вашия апарат за точково заваряване, трябва да съответства на указанията в таблици (ТАБ. 2; 3; 4; 5).

Капацитетът на щепсела и характеристиките на действието на предпазителят и на магнитотермичния прекъсвач са отразени в ТАБ. 1 и ТАБ. 7.

Тогава, когато се инсталира повече от един апарат за точково заваряване, разпределете захранването циклично между трите фази, така че да се осъществи едно по-уравновесено зареждане; пример:

Апарати за точково заваряване 230V:

Апарат за точково заваряване 1: захранване L1-N.

Апарат за точково заваряване 2: захранване L2-N.

Апарат за точково заваряване 3: захранване L3-N.

и т.н.

Апарати за точково заваряване 400V:

Апарат за точково заваряване 1: захранване L1-L2.

Апарат за точково заваряване 2: захранване L2-L3.

Апарат за точково заваряване 3: захранване L3-L1.

и т.н.



ВНИМАНИЕ! Неспазването на правилата, изложени по-горе прави неефективна системата за безопасност, предвидена от производителя (клас I) с произтичащите от това сериозни рискове за хора (напр. електрически удар) или предмети (напр. пожар).

6. ЗАВАРЯВАНЕ (Точково заваряване)

6.1 ПРЕДВАРИТЕЛНИ ОПЕРАЦИИ

Преди да пристъпите, към каквато и да е операция по точково заваряване, е необходимо извършването на серия от проверки и настройки, при изключен от мрежата апарат за точково заваряване.

- 1- Проверете електрическото свързване, дали е извършено правилно, според инструкциите по-горе.
 - 2- Поддръждането и силата на електродите:
 - блокирайте старателно долния електрод в най-удобното за работата, която се извършва, положение,
 - разхлабете фиксиращия винт на горния електрод, за да позволите предвижването му през отвората на рамото,
 - поставете между електродите материал с еквивалентна дебелина на дебелината на ламарините за заваряване,
 - **ФИГ. D** затворете лост 2, докато раменете се окажат успоредни и върховете на електродите съпадат; затегнете предоставения винт 3 (d.M6), в отвор 1, за да блокирате лоста в подходящо положение за извършване на регулиране на силата,
 - блокирайте в правилното положение горния електрод, като старателно затегнете винта,
 - регулирайте силата, упражнявана от електродите във фаза точково заваряване **ФИГ.Е**, като въздействате върху регулиращия винт (1) посредством предоставения ключ; зададената стойност, според положението на индикатора на градуираната скала, е отразена на **ФИГ. F**. ТАБ. 6 показва стойността на силата, която може да се получи при различна дължина на раменете.
- Завийте по посока на часовниковата стрелка, за да увеличите силата пропорционално на увеличението на дебелината на ламарините, като изберете все пак настройки, които позволяват затварянето на клещите (щипката) и съответното задействане на микросуича, упражнявайки силно ограничено усилие.

6.2 РЕГУЛИРАНЕ НА ПАРАМЕТРИТЕ

6.2.1 Модели 6.9kA:

- изберете дебелината на ламарината, върху която трябва да се извърши точково заваряване като използвате бутона (2 - **ФИГ. С**), поставен на командния панел на апарата за точково заваряване;
 - изберете вида точково заваряване (непрекъснато или импулсно) като използвате бутон (3 - **ФИГ. С**).
- Възможно е да се увеличи или намали, там където е необходимо, фабричното време за точково заваряване-default, като използвате бутон (1 - **ФИГ. С**).

6.2.2 Модел 5.8kA:

Регулирайте времето за точково заваряване като използвате потенциометър (9 - **ФИГ.В1**), поставен на обратната страна на апарата за точково заваряване; използвайте възможно най-ниски стойности, съответстващи на правилното изпълнение на точката (виж : 6.3 ПРОЦЕДУРА).

6.3 ПРОЦЕДУРА

След като сте захранили апарата за точково заваряване, за извършване на точково заваряване, придържайте се към следните инструкции:

- поставете долния електрод на ламарините за заваряване;
- поставете лоста на клещите до крайно положение и следователно до натискането на микросуича (8-**ФИГ.В**) като по този начин получите:
 - a) затваряна на ламарините между електродите с предварително регулирана сила;
 - b) преминаване на заваръчния ток за предварително фиксираното време.
- отпуснете лоста на клещите малко след това. Това забавяне (поддържане) придава по-добри механични характеристики на точката.

При липса на специфичен опит е уместно да се извършат няколко опита на точково заваряване като се използва ламарина със същото качество и дебелина като тази на работата, която трябва да се извърши.

Счита се за правилно изпълнението на точката, когато при опит за изтегляне се предизвика изваждането на ядрото на точката на заваряване от една от двете ламарини.



ВНИМАНИЕ! Апаратът за точково заваряване е оборудван със защитен проводник, който свързва заваръчната система директно със земята.

Извършвайте заваряване само ако ламарините, които трябва да се съединят, са заземени!

В противен случай прекъснете незабавно заваръчните дейности и извършете проверка на защитния проводник на инсталацията и на самия апарат за точково заваряване от специалист-експерт с техническа квалификация.

7. ПОДДРЪЖКА



ВНИМАНИЕ! ПРЕДИ ДА ИЗВЪРШВАТЕ ОПЕРАЦИИ ПО ПОДДРЪЖКА, УВЕРЕТЕ СЕ, ЧЕ АПАРАТЪТ ЗА ТОЧКОВО ЗАВАРЯВАНЕ Е ИЗГАСЕН И ИЗКЛЮЧЕН ОТ ЗАХРАНВАЩАТА ЕЛЕКТРИЧЕСКА ИЛИ ПНЕВМАТИЧНА МРЕЖА (ако има такава).

Във версиите със задействане с пневматичен цилиндър е необходимо да се блокира прекъсвача в положение "0" с предоставения катинар.

7.1 ОБИКОВЕНА ПОДДРЪЖКА

ОПЕРАЦИИТЕ ПО ОБИКОВЕНА ПОДДРЪЖКА МОГАТ ДА БЪДАТ ИЗВЪРШЕНИ ОТ ОПЕРАТОРА

- привеждане в съответствие/възстановяване на диаметъра и профила на върха на електрода;
- проверка на поддръждането в една линия на електродите;
- проверка на затягането на пружината (сила на електродите);
- проверка на целостта на захранващия кабел на апарата за точково заваряване и на клещите.
- подмяна на електродите и рамената;

7.2 ИЗВЪНРЕДНА ПОДДРЪЖКА

ОПЕРАЦИИТЕ ПО ИЗВЪНРЕДНА ПОДДРЪЖКА ТРЯБВА ДА БЪДАТ ИЗВЪРШВАНИ ЕДИНСТВЕНО ОТ ЕКСПЕРТЕН ИЛИ КВАЛИФИЦИРАН ПЕРСОНАЛ В ОБЛАСТТА НА ЕЛЕКТРО-МЕХАНИКАТА.



ВНИМАНИЕ! ПРЕДИ ДА ОТСТРАНИТЕ ПАНЕЛИТЕ НА АПАРАТА ЗА ТОЧКОВО ЗАВАРЯВАНЕ И ДА ДОСТИГНЕТЕ ДО НЕГОВАТА ВЪТРЕШНА ЧАСТ, УВЕРЕТЕ СЕ, ЧЕ АПАРАТЪТ ЗА ТОЧКОВО ЗАВАРЯВАНЕ Е ИЗГАСЕН И ИЗКЛЮЧЕН ОТ ЗАХРАНВАЩАТА ЕЛЕКТРИЧЕСКА ИЛИ ПНЕВМАТИЧНА МРЕЖА (ако има такава).

Евентуални проверки, извършени под напрежение във вътрешната част на апарата за точково заваряване могат да причинят сериозен токов удар, породен от директния контакт с части под напрежение и/или наранявания, дължащи се на директния контакт с движещи се части.

Периодично и все пак с честота, зависеща от употребата и условията на средата, проверявайте вътрешната част на апарата за точково заваряване и почиствайте праха и металните частици, които са се натрупали върху трансформатора, модула тиристор, модула диоди, клеморедата на захранването и т.н., посредством струя сух състен въздух (max 5bar).

Избягвайте да насочвате струята състен въздух към електронните платки; погрижете се да бъдат почистени с много мека четка или подходящи разтворители.

По този повод:

- проверете, дали изолацията на кабелажите не е нарушена и дали връзките не са разхлабени - окислени.
- смажете осите на шарнирите и винтовете.
- проверете, дали свързващите винтове на вторичната намотка на трансформатора и гъвкавите елементи на държачите на рамената са добре затегнати и няма следи от окисляване или прекомерно нагряване; същото се отнася за блокиращите винтове на рамената и ръкохватките на електродите.
- проверете, дали свързващите винтове на вторичната намотка на трансформатора върху изходните прътове/сплитки се добре затегнати и няма следи от окисляване или прекомерно нагряване.
- проверете непрекъснатостта между захранващата верига на машината и заваръчната система (електроди).
- проверете, дали свързващите винтове на вторичната намотка на трансформатора (ако има такива) са добре затегнати и няма следи от окисление или пренагряване.
- След като сте извършили поддръжката или поправката, възстановете връзките и кабелажите, както са били първоначално като се погрижите да не бъдат в контакт с движещи се части или части, които могат да достигнат високи температури. Привържете всички проводници, както са били първоначално като се погрижите да не влизат в контакт връзките на първичната намотка под високо напрежение от тези на вторичната под ниско напрежение.
- Използвайте оригинални шайби и винтове за затваряне на корпуса.

7.3 ОТКРИВАНЕ НА ПОВРЕДИ

ПРИ ЕВЕНТУАЛНО НЕЗАДОВОЛИТЕЛНО ФУНКЦИОНИРАНЕ И ПРЕДИ ИЗВЪРШВАНЕ НА ПО-СИСТЕМАТИЧНИ ПРОВЕРКИ ИЛИ ПРЕДИ ДА СЕ ОБЪРНЕТЕ КЪМ ЦЕНТЪР ЗА ОБСЛУЖВАНЕ НА КЛИЕНТИ, ПРОВЕРЕТЕ ДАЛИ:

- При задействан лост за извършване на заваряване се натиска в действителност микросуича, който позволява на електронната платка да се извърши заваряването.
- Не са се задействали термичните защити.
- Елементите, които са част от вторичната верига (гъвкави съединения на държачите на рамената - рамена - ръкохватки за електродите) не са ефикасни, поради разхлабени винтове или окисления.
- Заваръчните параметри (сила и диаметър на електродите, време на заваряване) не съответстват на работата, която се извършва.

	str.		str.
1. OGÓLNE BEZPIECZEŃSTWO PODCZAS SPAWANIA OPOROWEGO	74	6.2 REGULACJA PARAMETRÓW	76
2. WPROWADZENIE I OGÓLNY OPIS	75	6.2.1 Modele 6.9kA:	76
2.1 WPROWADZENIE	75	6.2.2 Model 5.8kA:	76
2.2 AKCESORIA W ZESTAWIE	75	6.3 PROCES PUNKTOWANIA	76
2.3 AKCESORIA NA ZAMÓWIENIE	75	7. KONSERWACJA	76
3. DANE TECHNICZNE	75	7.1 RUTYNOWA KONSERWACJA	76
3.1 TABLICZKA ZNAMIONOWA (RYS. A)	75	7.2 NADZWYCZAJNA KONSERWACJA	76
3.2 POZOSTAŁE DANE TECHNICZNE	75	7.3 WYSZUKIWANIE USTEREK	76
4. OPIS SPAWARKI PUNKTOWEJ	75		
4.1 GŁÓWNE KOMPONENTY I REGULACJE (RYS. B)	75		
4.2 PANEL STERUJĄCY (tylko w modelach 6.9kA) (RYS. C)	75		
5. INSTALOWANIE	75		
5.1 WYPOSAŻENIE	75		
5.2 SPOSÓB PODNOSZENIA URZĄDZENIA	75		
5.3 USTAWIENIE	75		
5.4 PODŁĄCZENIE DO SIECI	75		
5.4.1 Zalecenia	75		
5.4.2 Wtyczka i gniazdko	75		
6. SPAWANIE (Punktowanie)	76		
6.1 OPERACJE WSTĘPNE	76		

URZĄDZENIA DO SPAWANIA OPOROWEGO PRZEZNACZONE DO UŻYTKU PRZEMYSŁOWEGO I PROFESJONALNEGO.

Uwaga: W dalszej części instrukcji zostanie zastosowana nazwa „spawarka punktowa”.

1. OGÓLNE BEZPIECZEŃSTWO PODCZAS SPAWANIA OPOROWEGO

Operator powinien być odpowiednio przeszkolony w zakresie bezpiecznego używania spawarki punktowej, powinien być również poinformowany o zagrożeniach związanych z procesami spawania oporowego oraz o odpowiednich środkach ochronnych i procedurach awaryjnych.



- Wykonaj instalację elektryczną zgodnie z odpowiednimi normami i przepisami dotyczącymi bezpieczeństwa i higieny pracy.
- Spawarkę punktową należy podłączyć wyłącznie do systemu zasilania z przewodem neutralnym podłączonym do uziemienia.
- Upewnij się, że wtyczka zasilania jest prawidłowo podłączona do uziemienia ochronnego.
- Nie używaj kabli z uszkodzoną izolacją lub poluzowanymi połączeniami.
- Używaj spawarkę punktową w temperaturze otoczenia zawartej w zakresie od 5°C do 40°C, przy wilgotności względnej równej 50% w przypadku temperatur od 40°C i 90% w przypadku temperatur do 20°C.
- Nie używaj spawarki punktowej w środowisku wilgotnym lub mokrym lub też podczas deszczu.
- Podłączanie przewodów spawalniczych oraz wszelkie operacje rutynowej konserwacji na ramionach i/lub elektrodach muszą być wykonywane po wyłączeniu spawarki i odłączeniu jej od sieci zasilania elektrycznego i pneumatycznego (jeżeli występuje). Ta sama procedura musi być również przestrzegana podczas podłączania do sieci wodnej lub do systemu chłodzenia z zamkniętym obwodem (spawarki punktowe chłodzone wodą) oraz podczas wykonywania wszelkich operacji naprawy (nadzwyczajna konserwacja).



- Zabrania się używania oprzyrządowania w pomieszczeniach o strefach sklasyfikowanych jako zagrożone wybuchem ze względu na obecność gazu, pyłów lub mgły.
- Nie spawaj pojemników, zbiorników lub przewodów rurowych, które zawierają lub zawierały ciekłe lub gazowe substancje łatwopalne.
- Unikaj wykonywania operacji na materiałach czyszczących chlorowanymi rozpuszczalnikami lub w pobliżu tych substancji.
- Nie spawaj na zbiornikach znajdujących się pod ciśnieniem.
- Usuń ze strefy roboczej wszelkie substancje łatwopalne (np. drewno, papier, szmaty, itp.).
- Pozostaw właśnie zesparany przedmiot do ostygnięcia! Nie umieszczaj go w pobliżu substancji łatwopalnych.
- Upewnij się, czy w pobliżu elektrod znajduje się odpowiednia wymiana powietrza lub odpowiednie środki służące do usuwania dymów spawalniczych; należy je systematycznie sprawdzać oceniając granice narażenia na działanie dymów spawalniczych w zależności od ich składu, stężenia i czasu trwania samego narażenia.



- Chroni zawsze oczy z pomocą specjalnych okularów ochronnych.
- Noś rękawice i odzież ochronną odpowiednio dla operacji wykonywanych podczas spawania oporowego.
- Halaśliwość: Jeżeli w wyniku szczególnie intensywnych operacji spawania zostanie stwierdzony poziom codziennego narażenia osobistego (LEP,d) równy lub wyższy od 85db(A), należy obowiązkowo zastosować odpowiednie środki ochrony osobistej.



- Przepływający prąd punktowania powoduje powstawanie pól elektromagnetycznych (EMF) zlokalizowanych w pobliżu obwodu punktowania.

Pola elektromagnetyczne mogą nakładać się na funkcjonowanie aparatury medycznej (np. stymulatory serca, aparaty tlenowe, protezy metalowe, itp.). Należy zastosować odpowiednie środki ochronne w stosunku do osób

stosujących te urządzenia. Na przykład zakaz dostępu do strefy, w której używana jest spawarka punktowa.

Niniejsza spawarka punktowa spełnia wymagania standardu technicznego dotyczącego urządzeń przeznaczonych do użytku wyłącznie w pomieszczeniach przemysłowych i w celach profesjonalnych. Nie jest gwarantowana zgodność z podstawowymi wymogami dotyczącymi ekspozycji człowieka na pola elektromagnetyczne w otoczeniu domowym.

Operator musi stosować się do następujących zaleceń, umożliwiających zredukowanie ekspozycji na pola elektromagnetyczne:

- Przymocuj razem najbliższe możliwe dwa przewody spawalnicze, (jeżeli występują).
- Głowa i tułów powinny znajdować się jak najdalej możliwie od obwodu punktowania.
- Nie owijaj nigdy przewodów spawalniczych, (jeżeli występują) wokół siebie.
- Nie wykonuj połączeń punktowych podczas przebywania w zasięgu obwodu spawania. Zwracaj uwagę, aby oba przewody znajdowały się z tej samej strony ciała.
- Podłącz przewód powrotny prądu spawania punktowego, (jeżeli występuje) do przedmiotu, na którym wykonywane jest połączenie punktowe, najbliżej jak tylko jest to możliwe do wykonywanego połączenia.
- Nie wykonuj połączeń punktowych w pobliżu spawarki punktowej, nie siadaj i nie operaj się o nią podczas wykonywania operacji, (minimalna odległość: 50cm).
- Nie pozostawiaj przedmiotów ferromagnetycznych w pobliżu obwodu spawania punktowego.
- Minimalna odległość:
 - d = 3cm, f = 50cm (Rys. G);
 - d = 3cm, f = 50cm (Rys. H);
 - d = 30cm (Rys. I);
 - d = 20cm (Rys. L) Studer.



- Aparatura klasy A:

Niniejsza spawarka punktowa spełnia wymagania standardu technicznego dotyczącego urządzenia przeznaczonego do użytku wyłącznie w pomieszczeniach przemysłowych i w celach profesjonalnych.

Nie jest gwarantowana zgodność z wymaganiami dotyczącymi pola elektromagnetycznego w budynkach domowych oraz w tych budynkach, które są podłączone bezpośrednio do sieci zasilania niskim napięciem budynków przeznaczonych do użytku domowego.

ZASTOSOWANIE ZGODNE Z PRZEZNACZENIEM

Urządzenie musi być używane do spawania punktowego jednej lub kilku blach stalowych o niskiej zawartości węgla, o różnym kształcie i wymiarach, w zależności od wykonywanej obróbki.



RYZYKO SZCZĄTKOWE RYZYKO ZGNIECENIA KOŃCZYN GÓRNYCH

NIE WKŁADAJ RĄK W POBLIŻU ELEMENTÓW ZNAJDUJĄCYCH SIĘ W RUCHU!

Tryb funkcjonowania spawarki punktowej oraz zmienność kształtu i wymiarów obrabianego przedmiotu uniemożliwiają zrealizowanie wbudowanego zabezpieczenia przed niebezpieczeństwem zgniecenia kończyn górnych: palce, ręka, przedramię.

Należy zredukować ryzyko poprzez zastosowanie odpowiednich środków zapobiegawczych:

- Operator musi być doświadczony lub przeszkolony w procesach spawania oporowego z zastosowaniem tego typu aparatury.
- Oceń zagrożenia dla każdej typologii wykonywanej obróbki; przygotuj odpowiednie oprzyrządowania i tulejki wiertarskie będące w stanie podtrzymywać i prowadzić poddawany obróbcie przedmiot w sposób umożliwiający utrzymywanie rąk w odpowiedniej odległości od strefy niebezpiecznej odpowiadającej elektrodom.
- W przypadku używania przenośnej spawarki punktowej: mocno chwyć zacisk oboma rękami chwytając za specjalne rączki; ręce powinny zawsze znajdować się w odpowiedniej odległości od elektrod.
- Zawsze, kiedy jest to możliwe ze względu na budowę przedmiotu wyreguluj odległości elektrod w taki sposób, aby nie przekroczyć 6 mm skoku.
- Uniemożliwaj wykonywanie operacji kilku osobom jednocześnie z zastosowaniem tej samej spawarki punktowej.
- Uniemożliwaj dostęp do strefy roboczej osobom nieupoważnionym.
- Nie pozostawiaj spawarki punktowej bez nadzoru: w przeciwnym przypadku należy obowiązkowo odłączyć ją od sieci zasilania; w spawarkach punktowych uruchamianych za pomocą siłownika pneumatycznego należy

ustawić wyłącznik główny na „O” i zamknąć na kłódkę, znajdującą się w wyposażeniu urządzenia, wyjąć klucz i oddać na przechowanie osobie odpowiedzialnej.

- Używaj wyłącznie elektrod przeznaczonych dla urządzenia (patrz spis części zamiennych) nie zmieniając ich kształtu.

RYZIKO OPARZEŃ

Niektóre części spawarki punktowej (elektrody - ramiona i strefy przylegające) mogą osiągać temperaturę przekraczającą 65°C: należy nosić odpowiednią odzież ochronną. Pozostaw właśnie zespawany przedmiot do ostygnięcia przed jego dotknięciem!

RYZIKO PRZEWRÓCENIA I UPADKU

- Ustaw spawarkę punktową na powierzchni poziomej, o nośności odpowiedniej dla jej ciężaru; przymocuj ją do płaszczyzny oparcia, (jeżeli przewidziana w rozdziale „MONTAŻ” niniejszej instrukcji obsługi). W przeciwnym przypadku - posadzki pochyle lub nierówne, ruchome płaszczyzny oparcia - istnieje niebezpieczeństwo wywrócenia urządzenia.
- Zabrania się podnoszenia urządzenia, za wyjątkiem przypadku, kiedy jest to wyraźnie przewidziane w rozdziale „MONTAŻ” niniejszej instrukcji obsługi.
- W przypadku używania urządzeń na podwoziu kołowym: odłącz je od zasilania elektrycznego i pneumatycznego (jeżeli występuje) przed przesunięciem do innej strefy roboczej. Zwróć uwagę na przeszkody i nierówność gruntu (na przykład kable i przewody rurowe).

ZASTOSOWANIE NIEWŁAŚCIWE

Używanie spawarki punktowej do wszelkiego rodzaju obróbki odmiernej od przewidzianej jest niebezpieczne (patrz ZASTOSOWANIE ZGODNE Z PRZEZNACZENIEM).



ZABEZPIECZENIA I OSŁONY

Przed podłączeniem urządzenia do sieci zasilania należy założyć zabezpieczenia oraz ruchome części obudowy spawarki punktowej w odpowiednim położeniu. UWAGA! Wszelkie operacje wykonywane w trybie ręcznym na ruchomych dostępnych częściach urządzenia, takie jak na przykład:

- Wymiana lub konserwacja elektrod
- Regulacja położenia ramion lub elektrod

MUSZĄ BYĆ WYKONYWANE PO WYŁĄCZENIU SPAWARKI I ODŁĄCZENIU JEJ OD SIECI ZASILANIA ELEKTRYCZNEGO I PNEUMATYCZNEGO (jeżeli występuje).

ZABŁOKUJ WYŁĄCZNIK GŁÓWNY W POZYCJI „O”, ZAMKNIJ NA KLÓDKĘ I WYJMIJ KLUCZ w modelach uruchamianych z pomocą SIŁOWNIKA PNEUMATYCZNEGO).

MAGAZYNOWANIE

- Umieść urządzenie i jego akcesoria (z opakowaniem lub bez) w pomieszczeniach zamkniętych.
- Wilgotność względna powietrza nie może przekraczać 80%.
- Temperatura otoczenia musi zawierać się w zakresie od -15°C do 45°C.

W przypadku urządzeń wyposażonych w system chłodzenia wodnego i temperatury otoczenia nieprzekraczającej 0°C: dolej odpowiedniego płynu niezamarzającego lub całkowicie opróżnij obwód hydrauliczny i zbiornik z wodą. Zastosuj zawsze odpowiednie środki chroniące urządzenie przed wilgocią, brudem i korozją.

2. WPROWADZENIE I OGÓLNY OPIS

2.1 WPROWADZENIE

Przenośna spawarka punktowa przeznaczona do spawania oporowego.

Ta seria spawarek składa się z 3 modeli:

5.8kA:

Przenośna spawarka punktowa z elektronicznym regulatorem czasowym. Umożliwia precyzyjne wykończenie punktów spawania dzięki elektronicznemu sterowaniu czasu punktowania i regulacji nacisku elektrod. Zdolność punktowania blach stalowych o niskiej zawartości węgla (ramiona standardowe), do grubości 1+1 mm.

6.9kA (230V):

Przenośna spawarka punktowa z cyfrowym sterowaniem mikroprocesorowym.

Główne parametry zarządzane z panelu kontrolnego są następujące:

- Ustawianie grubości blachy przeznaczonej do punktowania.
- Korekta czasu punktowania.
- Możliwość włączania pulsowania prądu punktowania.
- Regulacja siły punktowania.
- Zdolność punktowania blach stalowych o niskiej zawartości węgla (ramiona standardowe), do grubości 2+2 mm.

6.9kA (400V):

Przenośna spawarka punktowa z cyfrowym sterowaniem mikroprocesorowym.

Te same parametry jak w przypadku modelu 6.9kA (230V), jednakże funkcjonuje ona z napięciem zasilania 400V(380V-415V).

2.2 AKCESORIA W ZESTAWIE

Podstawowe wyposażenie spawarki punktowej obejmuje ramiona o długości 120 mm oraz elektrody standardowe.

2.3 AKCESORIA NA ZAMÓWIENIE

- Dwa ramiona oraz elektrody o różnej długości i/lub kształcie, również w zestawach obejmujących kilka par ramion.
- Wózek dla ramion: stanowi oparcie dla spawarki punktowej i jej akcesoriów.

3. DANE TECHNICZNE

3.1 TABLICZKA ZNAMIONOWA (RYS. A)

Główne dane dotyczące zastosowania i wydajności spawarki punktowej są podane na tabliczce znamionowej o następującym znaczeniu.

- 1- Ilość faz oraz częstotliwość linii zasilania.
- 2- Napięcie zasilania.
- 3- Moc znamionowa sieci z 50% trybem pracy urządzenia.
- 4- Moc sieci przy ustalonym stanie pracy (100%).
- 5- Maksymalne napięcie jałowe na elektrodach.
- 6- Maksymalny prąd w przypadku zwarcia elektrod.
- 7- Maksymalny nacisk wywierany przez elektrody.
- 8- Prąd wtórny przy ustalonym stanie pracy (100%).

Uwaga: Na tabliczce znamionowej podane jest przykładowe znaczenie symboli i cyfr; dokładne wartości danych technicznych spawarki punktowej znajdującej się w Waszym posiadaniu należy odczytać bezpośrednio na tabliczce samego urządzenia.

3.2 POZOSTAŁE DANE TECHNICZNE

OGÓLNE PARAMETRY: TAB. 1.

Uziemienie spawarki punktowej: TAB. 7.

4. OPIS SPAWARKI PUNKTOWEJ

4.1 GŁÓWNE KOMPONENTY I REGULACJE (RYS. B)

- 1- Wkręt do regulacji nacisku elektrod.
- 2- Regulowany uchwyt prawy/lewy.
- 3- Otwór do montażu ewentualnego ucha.
- 4- Ramię ruchome do spawania.
- 5- Ramię nieruchome do spawania.
- 6- Przewód zasilania.
- 7- Tabliczka danych.
- 8- Wyłącznik typu microswitch.
- 9- Regulacja czasu punktowania (tylko w modelu 5.8kA (RYS. B1)); w przypadku modeli 6.9kA należy przeczytać punkt 4.2: PANEL STERUJĄCY.
- 10- Dźwignia do punktowania.

4.2 PANEL STERUJĄCY (tylko w modelach 6.9kA) (RYS. C)

- 1- **Klawisz do korekty czasu punktowania:** dostosowuje czas punktowania do domyślnych ustawień fabrycznych.
- 2- **Klawisz do ustawiania grubości blachy:** ustawia grubość blachy, na której należy wykonać punktowanie.
- 3- **Przycisk wyboru trybu punktowania:**



: prąd spawania jest pulsujący.

Dokonując tego wyboru zwiększa się zdolność punktowania na blachach o wysokiej granicy plastyczności lub na blachach ze szczególną osłoną zabezpieczającą. Okres pulsowania jest automatyczny i nie wymaga regulacji.



: zwykłe punktowanie.

4- DIODY sygnalizujące zadziałanie zabezpieczenia termicznego.

Dwie diody migają na przemian, pozostałe diody nie świecą się, sygnalizując blokadę spawarki punktowej w wyniku przegrzania; reset następuje automatycznie po powrocie do dopuszczalnych granic temperatury.

5. INSTALOWANIE



UWAGA! WYKONAĆ WSZELKIE OPERACJE INSTALOWANIA ORAZ PODŁĄCZENIA ELEKTRYCZNE I PNEUMATYCZNE PO UPRZEDNIEM WYŁĄCZENIU SPAWARKI PUNKTOWEJ I ODŁĄCZENIU JEJ OD SIECI ZASILANIA.

PODŁĄCZENIA ELEKTRYCZNE I PNEUMATYCZNE POWINNY BYĆ WYKONANE WYŁĄCZNIE PRZEZ PERSONEL DOŚWIADCZONY LUB WYKWALIFIKOWANY.

5.1 WYPOSAŻENIE

Rozpakować urządzenie i zamontować odłączone części znajdujące się w opakowaniu.

5.2 SPOSÓB PODNOSZENIA URZĄDZENIA

UWAGA: Wszystkie spawarki punktowe opisane w tej instrukcji są pozbawione urządzeń do podnoszenia; w przypadku, kiedy zamierza się założyć ucho służące do zawieszenia urządzenia, należy wykorzystać otwór (RYS. F (2)), zwrócić uwagę, aby gwintowany trzon nie wnikał głębiej niż na 8mm.

5.3 USTAWIENIE

Zarezerwować do instalacji urządzenia strefę wystarczająco rozległą i pozbawioną przeszkód, która może zagwarantować całkowicie bezpieczny dostęp do panelu sterującego oraz do obszaru roboczego (elektrody).

Upewnić się, że w pobliżu otworu wlotowego i wylotowego powietrza chłodzącego nie znajdują się przeszkody, sprawdzić czy nie są zasysane pyły przewodzące, opary korozyjne, wilgoć, itd..

Ustaw spawarkę punktową na równej powierzchni wykonanej z jednolitego i zwartej materiału, odpowiedniej do utrzymania ciężaru (patrz "dane techniczne") w celu uniknięcia niebezpieczeństwa przewrócenia lub niebezpiecznych przesunięć.

5.4 PODŁĄCZENIE DO SIECI

5.4.1 Zalecenia

- Przed wykonaniem jakiegokolwiek podłączenia elektrycznego należy sprawdzić czy dane podane na tabliczce spawarki odpowiadają wartościom napięcia i częstotliwości sieci, będącymi do dyspozycji w miejscu montażu.

- Spawarkę punktową należy podłączyć wyłącznie do systemu zasilania z przewodem neutralnym podłączonym do uziemienia.

- Aby zagwarantować zabezpieczenie przed pośrednim kontaktem należy stosować wyłączniki różnicowoprądowe typu:

- Typ A dla urządzeń jednofazowych;

- Typ B dla urządzeń trójfazowych.

- Celem spełnienia wymagań normy EN 61000-3-11 (Flicker) zaleca się podłączenie spawarki punktowej do punktów interfejsowych sieci zasilania, które wykazują impedancję mniejszą od wartości $Z_{max} = 0,179 \text{ ohm}$.

- Spawarka punktowa nie spełnia wymogów normy IEC/EN 61000-3-12.

W przypadku podłączania do publicznej sieci zasilania, obowiązkiem instalatora lub użytkownika jest sprawdzenie, czy spawarka punktowa może zostać do niej podłączona, (jeżeli to konieczne skonsultuj się z przedsiębiorstwem zarządzającym siecią dystrybucyjną).

5.4.2 Wtyczka i gniazdko

Podłącz kabel zasilający do znormalizowanej wtyczki (3P+T (B+U)) : zostaną wykorzystane tylko 2 bieguny do połączenia 400V MIĘDZYFAZOWEGO; 2P+T (B+U): połączenie 230V JEDNOFAZOWE) o odpowiednim przepływie prądu i przygotuj gniazdko sieciowe zabezpieczone przez bezpieczniki lub automatyczny wyłącznik magnetydotermiczny; podłącz specjalny zacisk uziemiający do przewodu uziomowego (żółto-zielony) linii zasilania.

Sposób podłączenia oraz liczba biegunów wtyczki, które zostaną wykorzystane w zależności od systemu dystrybucji oraz od napięcia zasilania Waszego urządzenia, powinny odpowiadać wymaganiom podanym w tabelach (TAB. 2; 3; 4; 5).

Obciążalność prądowa wtyczki jak również parametry zadziałania bezpieczników oraz wyłącznika magnetydotermicznego są podane w tabelach TAB. 1 i TAB. 7.

W przypadku zainstalowania kilku spawarek punktowych należy cyklicznie rozdzielić zasilanie pomiędzy trzy fazy, w taki sposób, aby zrealizować bardziej wyrównane obciążenie; na przykład:

Spawarki punktowe 230V:

Spawarka punktowa 1: zasilanie L1-N.

Spawarka punktowa 2: zasilanie L2-N.
Spawarka punktowa 3: zasilanie L3-N.
itd.

Spawarki punktowe 400V:

Spawarka punktowa 1: zasilanie L1-L2.
Spawarka punktowa 2: zasilanie L2-L3.
Spawarka punktowa 3: zasilanie L3-L1.
itd.



UWAGA! Nieprzestrzeganie wyżej podanych zaleceń powoduje nieskuteczne działanie systemu zabezpieczającego, przewidzianego przez producenta (klasy I), z konsekwentnymi poważnymi zagrożeniami dla osób (np. szok elektryczny) oraz dla przedmiotów (np.. pożar).

6. SPAWANIE (Punktowanie)

6.1 OPERACJE WSTĘPNE

Przed wykonaniem wszelkich operacji punktowania należy wykonać serię weryfikacji i kontroli, po uprzednim wyłączeniu urządzenia z sieci:

- 1- Sprawdzić, czy podłączenie elektryczne zostało wykonane prawidłowo, zgodnie z wyżej podanymi instrukcjami.
- 2- Zasilanie i nacisk elektrod:
 - dokładnie zablokować dolną elektrodę w pozycji najbardziej odpowiedniej do wykonywanej obróbki,
 - poluzować śrubę mocującą górną elektrodę, aby umożliwić jej przesuwanie się w otworze ramienia,
 - włożyć pomiędzy elektrody podkładkę o grubości równej grubości blach przeznaczonych do punktowania,
 - **RYS. D** zamknąć dźwignię 2, powodując, że ramiona zostaną ustawione równoległe a końcówki elektrod będą się pokrywały; dokręcić śrubę 3 (d.M6) znajdującą się w wyposażeniu do otworu 1, aby zablokować dźwignię w odpowiednim położeniu, umożliwiającym wykonanie regulacji nacisku,
 - zablokować w prawidłowym położeniu górną elektrodę mocno dokręcając śrubę,
 - wyregulować nacisk wywierany przez elektrody w fazie punktowania RYS.E, dokręcając wkręt regulacyjny (1) z użyciem klucza znajdującego się w wyposażeniu; ustawiona wartość, w zależności od położenia wskaźnika na podziałce stopniowej, pokazana jest na RYS. F. TAB. 6 podana jest wartość nacisku uzyskiwanego dla różnej długości ramion. Dokręcić w kierunku zgodnym z ruchem wskazówek zegara (prawoskrętny), aby zwiększyć nacisk proporcjonalnie do zwiększania grubości blach, wybierając jednakże te regulacje, które powodują, że zamknięcie kleszczy i uruchomienie wyłącznika typu mikroswitch następuje wywierając ograniczony nacisk.

6.2 REGULACJA PARAMETRÓW

6.2.1 Modele 6.9kA:

- ustawić grubość blachy przeznaczonej do punktowania za pomocą klawisza (2 - RYS. C) znajdującego się na panelu sterowniczym urządzenia;
 - ustawić rodzaj punktowania (ciągłe lub przerywane) za pomocą klawisza (3 - RYS. C).
- Istnieje możliwość skorygowania domyślnego czasu punktowania, poprzez zwiększenie lub zmniejszenie, tam gdzie jest to konieczne, za pomocą klawisza (1 - RYS. C).

6.2.2 Model 5.8kA:

Wyregulować czas punktowania za pomocą potencjometru (9 - RYS.B1) znajdującego się z tyłu spawarki; stosować najniższe możliwe wartości, kompatybilnie z prawidłowym wykonywaniem punktu (patrz: 6.3 PROCES PUNKTOWANIA).

6.3 PROCES PUNKTOWANIA

Po podłączeniu zasilania do urządzenia, aby wykonać punktowanie należy śledzić następujące instrukcje:

- przyłożyć dolną elektrodę do blachy przeznaczonej do punktowania;
- przesunąć dźwignię kleszczy do końca suwu i następnie aż do wciśnięcia wyłącznika typu microswitch (8-RYS.B), uzyskując:
 - a) zaciśnięcie blach pomiędzy elektrodami wstępnie ustawioną siłą;
 - b) przepływ prądu spawania przez wstępnie ustawiony czas.
- zwolnić dźwignię kleszczy po kilku sekundach. To opóźnienie (podtrzymywanie) powoduje, że punkt uzyskuje lepsze parametry mechaniczne.

Z braku specyficznego doświadczenia wskazane jest wykonanie kilku prób punktowania z zastosowaniem podkładek blachy tej samej jakości i grubości, co blachą przeznaczoną do obróbki.

Punkt zostanie uznany za prawidłowo wykonany, jeżeli podczas wykonania próby rozciągania na próbce, nastąpi wyjęcie rdzenia punktu spawania z jednej z dwóch blach.



UWAGA! Spawarka punktowa jest wyposażona w przewód ochronny, który łączy obwód spawania bezpośrednio z uziemieniem.

Wykonaj spawanie wyłącznie, jeśli łączone ze sobą blachy są odizolowane od uziemienia!

W przeciwnym przypadku natychmiast przerwij wykonywaną operację spawania i zleć sprawdzenie przewodu ochronnego instalacji oraz spawarki punktowej przez osobę doświadczoną lub wykwalifikowaną w zakresie technicznym.

7. KONSERWACJA



UWAGA! PRZED WYKONANIEM OPERACJI KONSERWACJI NALEŻY UPEWNIĆ SIĘ, ŻE SPAWARKA PUNKTOWA JEST WYŁĄCZONA I ODŁĄCZONA OD SIECI ZASILANIA ELEKTRYCZNEGO I PNEUMATYCZNEGO (jeżeli występuje).

W wersjach uruchamianych z pomocą siłownika pneumatycznego należy zablokować wyłącznik główny w położeniu "O", zamykając na kłódkę znajdującą się w wyposażeniu urządzenia.

7.1 RUTYNOWA KONSERWACJA

OPERACJE RUTYNOWEJ KONSERWACJI MOGĄ BYĆ WYKONYWANE PRZEZ OPERATORA.

- dostosowanie/reset średnicy oraz profilu końcówki elektrody;
- kontrola ustawienia elektrod w linii;
- kontrola obciążenia sprężyny (nacisk elektrod);
- weryfikacja integralności przewodu zasilającego spawarkę punktową i zacisk.
- wymiana elektrod i ramion;

7.2 NADZWYCZAJNA KONSERWACJA

OPERACJE NADZWYCZAJNEJ KONSERWACJI MUSZĄ BYĆ WYKONYWANE WYŁĄCZNIE PRZEZ PERSONEL DOŚWIADCZONY LUB WYKWALIFIKOWANY W ZAKRESIE ELEKTRYCZNO-MECHANICZNYM.



UWAGA! PRZED ZDJĘCIEM PANELI URZĄDZENIA I DOSTANIEM SIĘ DO JEGO WNĘTRZA NALEŻY UPEWNIĆ SIĘ, ŻE ZOSTAŁO ONO WYŁĄCZONE I ODŁĄCZONE OD SIECI ZASILANIA ELEKTRYCZNEGO I PNEUMATYCZNEGO (jeżeli występuje).

Eventualne kontrole pod napięciem, wykonywane wewnątrz spawarki punktowej, mogą grozić poważnym szokiem elektrycznym powodowanym przez bezpośredni kontakt z częściami znajdującymi się pod napięciem i/lub z elementami znajdującymi się w ruchu.

Okresowo, z częstotliwością uwarunkowaną użytkowaniem urządzenia i warunkami środowiskowymi należy sprawdzać wnętrze urządzenia i usuwać kurz oraz cząsteczki metalowe osadzające się na transformatorze, module tyrystorowym, module diodowym, tabliczce zaciskowej zasilania, itp., przy pomocy suchego strumienia sprężonego powietrza (max 5bar).

Unikaj kierowania strumienia sprężonego powietrza na karty elektroniczne; można je ewentualnie oczyścić bardzo miękką szczoteczką lub odpowiednimi rozpuszczalnikami.

Przy okazji należy:

- sprawdzić czy na okablowaniach nie występują ślady uszkodzeń izolacji lub czy podłączenia nie są poluzowane-utlenione.
- nasmaruj przeguby i sworznie.
- sprawdź czy śruby złączne wtórnego transformatora w odlewanych uchwytych ramion są mocno dokręcone oraz czy nie są na nich widoczne ślady utlenienia lub przegrzania; to samo dotyczy wkrętów blokujących ramiona oraz uchwyty elektrodowe.
- sprawdź czy śruby złączne wtórnego transformatora w drążkach / warkoczach wyjściowych są mocno dokręcone i czy nie wykazują śladów utlenienia lub przegrzania.
- sprawdź ciągłość obwodu uziemienia urządzenia z obwodem spawania (elektrody).
- sprawdź, czy śruby złączne wtórnego transformatora, (jeżeli występują) są mocno dokręcone oraz czy nie wykazują śladów utlenienia lub przegrzania.
- Po przeprowadzeniu konserwacji lub naprawy przywróć do pierwotnego stanu połączenia i okablowania, dbając o to, aby nie stykały się one z częściami znajdującymi się w ruchu lub częściami, które mogą osiągać wysoką temperaturę. Zepnij wszystkie przewody zgodnie z początkowym ułożeniem, zadbaj o to, aby prawidłowo oddzielić połączenia uzwojenia pierwotnego wysokiego napięcia od połączeń uzwojenia wtórnego niskiego napięcia.
- Do ponownego dokręcenia elementów konstrukcyjnych wykorzystaj wszystkie wcześniej zastosowane podkładki i śruby.

7.3 WYSZUKIWANIE USTEREK

W PRZYPADKU NIEZADOWALAJĄCEGO FUNKCJONOWANIA URZĄDZENIA I PRZED WYKONANIEM WZKŁYCH WERYFIKACJI LUB ZWRÓCENIEM SIĘ DO SERWISU POGOTOWIA TECHNICZNEGO NALEŻY SPRAWDZIĆ CZY:

- Po uruchomieniu dźwigni spawania zostanie rzeczywiście wciśnięty wyłącznik typu microswitch, udzielając przyzwolenia na spawanie dla karty elektronicznej.
- Nie zadziałały zabezpieczenia termiczne.
- Elementy będące częścią obwodu wtórnego (odlewane uchwyty ramion - ramiona - uchwyty elektrodowe) nie są skuteczne w wyniku poluzowania śrub lub ich utlenienia.
- Parametry spawania (nacisk i średnica elektrod, czas spawania) są odpowiednie dla wykonywanej obróbki.

صفحة	
78	2.6 ضبط المعايير
78	1.2 طرازات 6.9 كيلو أمبير
78	2.2.6 طرازات 5.8 كيلو أمبير
78	3.6 الإجراء
79	7. الصيانة
79	1.7 الصيانة الدورية
79	2.7 صيانة طارية
79	3.7 البحث عن أعطال

صفحة	
77	1. أمان عام بالنسبة للحام ذو المقاومة
78	2. مقدمة ووصف عام
78	1.2 الخصائص الأساسية
78	2.2 إكسسوارات أصلية
78	3.2 إكسسوارات حسب الطلب
78	3. بيانات فنية
78	1.3 لوحة بيانات (الشكل A)
78	2.3 بيانات فنية أخرى
78	4. وصف آلة اللحام
78	1.4 المكونات الأساسية والضبط (الشكل B)
78	2.4 لوحة مفاتيح التحكم (فقط بالنسبة لطرازات 6.9 كيلو أمبير) (الشكل C)
78	5. التركيب
78	1.5 التجهيز
78	2.5 طريقة الرفع
78	3.5 التثبيت
78	4.5 التوصيل بالشبكة
78	1.4.5 التحذيرات
78	2.4.5 القابس ومأخذ الطاقة
78	6. اللحام (التدريس)
78	1.6 عمليات أولية

- م = 3 سم، بعد = 50 سم (الشكل G)؛
- م = 3 سم، بعد = 50 سم (الشكل H)؛
- م = 30 سم (الشكل I)؛
- م = 20 سم (الشكل L) Studder.



أجهزة من النوع A:

آلة اللحام بالتدريس هذه تفي بمتطلبات معيار المنتج الفني لاستخدامها حصراً في الأغراض الصناعية والمهنية. ليس مضموناً الامتثال مع التوافق الكهرومغناطيسي في المباني السكنية وفي تلك التي ترتبط مباشرة بشبكة الجهد المنخفض التي تمد بالطاقة مباني للاستخدام المنزلي.

الاستخدام المتوقع

يجب أن تستخدم الآلة في لحام واحدة أو أكثر من قطع صاج الصلب ذات المحتوى المنخفض من الكربون، ذات الشكل والأبعاد المختلفة وفقاً للأعمال المطلوب تنفيذها.



الاحترار المتبقية

خطر تهشم الاطراف العلوية

لا تضع اليدين بالقرب من أجزاء متحركة!

إن طريقة عمل آلة اللحام بالتدريس وتتنوع أشكال وأحجام القطعة المشغولة لا تمكن من تنفيذ حماية متكاملة ضد خطر تهشم الاطراف العلوية: الاصابع واليدين والساعدين.

يجب تقليل الخطر من خلال اتباع وسائل الوقاية المناسبة:

- يجب أن يكون العامل خبير أو مؤهل بالنسبة لمجريات اللحام بالمقاومة مع هذه النوعية من الآلات.
- يجب القيام بتقسيم للمخاطر بالنسبة لكل نوع من الاعمال يجب القيام به؛ يجب إعداد أدوات وأقنعة لمساعدة وقيادة القطعة الجاري العمل عليها بطريقة تسمح بإبعاد اليدين عن المنطقة الخطرة الموازية للأقطاب.
- في حالة استخدام آلة لحام بالتدريس محمولة: يجب الامسك بالكماشة بكلي اليدين من المقبضين؛ يجب الإبقاء على اليدين بعيداً عن الأقطاب.
- في جميع الحالات، إذا كانت ظروف تشكيل القطعة تسمح، يتم ضبط مسافة الاقطاب بطريقة تسمح بتبدي 6 م من التقدم.
- يجب منع العمل من جانب أكثر من شخص في نفس الوقت بآلة اللحام بالتدريس.
- يجب حظر دخول الأشخاص الغريبة إلى منطقة العمل.
- لا تترك آلة اللحام بالتدريس دون رقابة: في تلك الحالة يجب فصلها عن شبكة التغذية بالطاقة؛ في حالة آلات اللحام التي تعمل باسطوانة هوائية يجب وضع المفتاح العام على وضعية "O" مع غلقه بالقفل الموفر مع سحب المفتاح وحفظه من قبل المسؤول.
- يجب استخدام الاقطاب الخاصة بالآلة فقط (إنظر قائمة قطع الغيار) دون إجراء أي تعديل على أشكالها.

- خطر الإصابة بحروق
- بعض أجزاء آلة اللحام (الأقطاب - الأذرع والمساحات المجاورة) يمكن أن تصل إلى درجات حرارة تتجاوز 65 درجة مئوية: من الضروري ارتداء ملابس واقية مناسبة.
- اترك القطعة لتبرد بمجرد اللحام قبل لمسها!

- خطر الانقلاب والسقوط
- ضع آلة اللحام على سطح أفقي ذي حمولة مناسبة للكتلة؛ فم تثبيت آلة اللحام على سطح التثبيت (عندما يتم النص على ذلك في فصل "التركيب" بهذا الدليل). بخلاف ذلك، فإنه مع الأرضيات المائلة أو غير المتصلة أو مع أسطح الإسناد المتحركة يوجد خطر الانقلاب.
- يُحظر رفع آلة اللحام باستثناء الحالة المنصوص عليها صراحةً في فصل "التركيب" في هذا الدليل.
- في حالة استخدام آلات محمولة على عربات: يتم فصل آلة اللحام عن شبكة التغذية بالكهرباء والهواء (إن وجدت) قبل نقل الوحدة إلى منطقة عمل أخرى. اتبته إلى العوائق والبروز الأرضي (مثل الكابلات والانابيب).

- الاستخدام غير الصحيح
- يمثل استخدام آلة اللحام في أية أعمال مختلفة عن تلك المنصوص عليها خطراً (انظر الاستخدامات المنصوص عليها).



الحمايات والاصلاحات

إن وسائل الحماية والاجزاء المتحركة من غلاف آلة اللحام بالتدريس يجب أن تكون بموضعها قبل توصيل آلة اللحام بشبكة التغذية بالطاقة.

إنتبه! أي تدخل يدوي على أجزاء متحركة يمكن الوصول إليها من آلة اللحام بالتدريس، على سبيل المثال:

- ضبط وضعية الأذرع والاقطاب
- يجب القيام بها عندما تكون آلة اللحام بالتدريس مطاةً ومعزولة عن شبكة التغذية بالطاقة الكهربائية والهوائية (إن وجدت).
- المفتاح العام مغلق على وضعية "O" مع غلق القفل وسحب المفتاح وذلك في الطرازات التي تعمل باسطوانة هوائية).

التخزين

- ضع الماكينة وملحقاتها (بالثغليف أو بدونه) في أماكن مغلقة.

أجهزة لحام ذات مقاومة للاستخدام الاحترافي والصناعي.
ملحوظة: في النص التالي يتم استخدام مصطلح "آلة تدريس".

1. أمان عام بالنسبة للحام ذو المقاومة

يجب أن يكون العامل مدرك بشكل كافي لإستخدام آلة التدريس بشكل آمن وعلى علم بالمخاطر ذات الصلة بمجريات اللحام ذو المقاومة بالإضافة إلى مقاييس الوقاية ذات الصلة فضلاً عن الإجراءات التي تتخذ في حالة الطوارئ.



- القيام بالتوصيلات الكهربائية وفقاً لقوانين وتشريعات الصحة والسلامة.
- يجب توصيل آلة التدريس حصرياً بنظام تغذية بالطاقة ذو موصل محايد متصل بالارض.
- التأكد من أن مأخذ الطاقة متصل بشكل صحيح بالخط الارضي الواقي.
- لا تستخدم كابلات ذات عوازل متآكلة أو وصلات راحية.
- يتم استخدام آلة التدريس بهواء مضغوط في درجة حرارة البيئة على أن تتراوح بين 5 و 40 درجة مئوية ورطوبة نسبية تبلغ 50% وصولاً إلى درجات حرارة 40 مئوية ونسبة 90% لدرجات حرارة حتى 20 مئوية.
- لا تستخدم آلة التدريس في بيئات رطبة أو مبللة أو تحت المطر.
- إن توصيل كابلات اللحام وأي تدخل للصيانة الدورية على الأذرع و/أو الأقطاب يجب أن يتم و آلة اللحام بالتدريس مطافةً ومفصولة عن شبكة التغذية بالكهرباء والهواء (إن وجدت).
- يجب الانترام بنفس الإجراء عند التوصيل بشبكة التزويد بالماء أو وحدة التبريد ذات الدائرة المغلقة (آلات تدريس ذات تبريد بالماء) وفي جميع حالات التدخل للاصلاح (الصيانة الطارئة).



- يحظر استخدام الاجهزة في بيئات ذات مناطق مصنفة بانها عرضة لخطر الانفجار نتيجة وجود الغازات أو المساحيق أو الضباب.
- لا تقم باللحام على حاويات، خزانات أو أنابيب احتوت من قبل أو تحتوي على مواد قابلة للاشتعال سواء كانت سائلة أو غازية.
- تجنب العمل على خامات تم تنظيفها بالمذيبات المتكورة أو بالقرب من تلك المواد.
- لا تقم باللحام على حاويات تحت ضغط.
- يجب إقصاء جميع المواد القابلة للاشتعال (على سبيل المثال الخشب والورق والمناشف، ألخ.) من منطقة العمل.
- اترك القطعة لتبرد بمجرد لحامها! لا تضع القطعة بالقرب من مواد قابلة للاشتعال.
- تأكد من وجود تبادل مناسب للهواء أو بواسطة وسائل تعمل على شفط الادخنة الناتجة عن اللحام بالقرب من الاقطاب؛ من الضروري وجود نهج منتظم لتقييم حد التعرض لأدخنة اللحام وفقاً لمكوناتها ودرجة تركيزها ومدة التعرض في حد ذاتها.



- قم بحماية العينين دائماً بنظارات الحماية المخصصة.
- ارتدي القفازات وملابس الحماية المناسبة لأعمال اللحام بالمقاومة.
- الضوضاء: يصبح إلزامي استخدام معدات الوقاية الشخصية المناسبة، إذا تم التحقق من أن مستوى التعرض اليومي (LEPdB) مساوي أو أكبر من 85dB(A) بسبب عمليات اللحام المكثفة.



- يتسبب مرور تيار اللحام في خلق مجالات كهرومغناطيسية (EMF) تقع على مقربة من دائرة اللحام بالتدريس.
- يمكن أن تؤثر المجالات الكهرومغناطيسية على بعض الاجهزة الطبية (على سبيل المثال جهاز تنظيم ضربات القلب، أجهزة التنفس والاعضاء المعدنية البديلة ألخ.).
- يجب اتخاذ الإجراءات الوقائية المناسبة تجاه حاملي هذه الاجهزة. على سبيل المثال، منع الوصول إلى منطقة استخدام آلة اللحام بالتدريس.
- آلة اللحام بالتدريس هذه تلي المعايير التقنية لمنتج يستخدم حصرياً في البيئات الصناعية لأغراض مهنية. من غير المؤكد الامتثال للقيود الأساسية المتعلقة بالتعرض البشري للمجالات الكهرومغناطيسية في المنزل.

يجب على العامل اتباع الإجراءات التالية بطريقة تقلل من التعرض للمجال الكهرومغناطيسي:

- التثبيت معاً لأقرب ما يمكن كابلي اللحام بالتدريس (إن وجد).
- الحفاظ على الرأس والجذع من الجسم بعيداً قدر الإمكان عن دائرة اللحام بالتدريس.
- لا تلتف أبداً بكابلات اللحام بالتدريس (إن وجدت) حول الجسم.
- لا تقم أبداً باللحام بالتدريس والجسم في منتصف دائرة اللحام. الإبقاء على الكليين على نفس الجانب من الجسم.
- قم بتوصيل كابل العائد لآلة اللحام بالتدريس (إن وجد) الخاص بالتيار الكهري مع القطعة المراد شغلها أقرب ما يكون من الوصلة الجاري تنفيذها.
- لا تقم باللحام بالتدريس بالقرب من، خلال الجلوس أو الاتكاء على آلة اللحام بالتدريس (الحد الأدنى للمسافة: 50 سم).
- لا تترك أشياء معدنية مغناطيسية في محيط دائرة اللحام بالتدريس.
- الحد الأدنى للمسافة:

- الرطوبة النسبية للهواء لا يجب أن تتعدى 80%.
- حرارة البيئة يجب أن تتراوح بين 15- و 45 مئوية.
- في حالة كون الآلة بدون بوحدة تبريد بالماء ونقل حرارة البيئة عن صفر مئوية: أصف السائل المضاد للتجمد المنصوص عليه أو يتم أفرغ الدائرة الهيدروليكية وخزان الماء تماماً.
- استخدم دائماً إجراءات مناسبة من أجل حماية الآلة من الرطوبة ومن الاتساخات ومن التأكل.

2. مقدمة ووصف عام

1.2 الخصائص الاساسية

آلة لحام بالتدبيس للحام بالمقاومة.

الفترة مكونة من 3 طرازات:

- 5.8 كيلو أمبير:

آلة لحام بالتدبيس مع وقت الكروني. تسمح بالتنفيذ الدقيق لنقاط اللحام وذلك بفضل التحكم الالكتروني لوقت نقاط اللحام مع ضبط قوة الاقطاب. قدرة اللحام بالتدبيس على صفائح من الفولاذ منخفض المكونات من الكربون (أذرع قياسية) وصولاً إلى سمك يبلغ 1+1 ممر.

- 6.9 كيلو أمبير (230 فولت):

آلة لحام بالتدبيس محمولة ذات تحكم رقمي بمعالج دقيق.

الخصائص الاساسية التي يتم إدارتها من لوحة التحكم هي:

- اختيار سمك الصفائح المراد لحامها.

- تصحيح وقت اللحام بالتدبيس.

- إمكانية إدخال نبضات بواسطة تيار اللحام.

- ضبط قوة اللحام.

- قدرة اللحام بالتدبيس على صفائح من الفولاذ منخفض المكونات من الكربون (أذرع قياسية) وصولاً إلى سمك يبلغ 2+2 ممر.

- 6.9 كيلو أمبير (400 فولت):

آلة لحام بالتدبيس محمولة ذات تحكم رقمي بمعالج دقيق.

نفس خصائص طراز 6.9 كيلو أمبير (230 فولت) ولكنها تعمل بجهد تغذية للطاقة يبلغ 400 فولت (380 فولت - 415 فولت).

2.2 إكسسوارات أصلية

ضمن الاجزاء الاساسية المتوفرة مع آلة اللحام بالتدبيس هناك أذرع بطول 120 ممر وأقطاب قياسية.

3.2 إكسسوارات حسب الطلب

- إزواج من الأذرع والأقطاب بطول وأشكال مختلفة كذلك مع طاقم يشمل أكثر من زوج.

- عربة للأذرع: يسمح بوضع آلة اللحام والاكسسوارات.

3. بيانات فنية

1.3 لوحة بيانات (الشكل A)

وتتلخص البيانات الأساسية بشأن استخدام وآداء آلة اللحام ملخصة على لوحة الخصائص والمواصفات وتحمل المعنى التالي.

- 1- عدد المراحل وتزداد خط التغذية بالطاقة.
- 2- جهد التغذية بالطاقة.
- 3- القوة الاسمية للشبكة مع علاقة وميض بنسبة 50%.
- 4- قوة الشبكة في ظل نظام ثابت (100%).
- 5- أقصى جهد فارغ للقسط.
- 6- أقصى تيار مع الاقطاب في حالة الماس الكهربي.
- 7- أقصى قوة ممارسة من الاقطاب.
- 8- التيار في ظل النظام الثنائي الثابت (100%).

ملحوظة: مثال اللوحة المعروض يدل على معنى الرموز والأرقام بشكل تقريبي؛ يجب أن تسجل القيم الحقيقية الخاصة بالبيانات الفنية على آلة اللحام بالتدبيس مباشرة.

2.3 بيانات فنية أخرى

المواصفات العامة: ج 1.

كتلة آلة اللحام بالتدبيس: ج 7.

4. وصف آلة اللحام

1.4 المكونات الاساسية والضغط (الشكل B)

- 1- مسامير ضبط قوة الاقطاب.
- 2- مقابض قابلة للتثبيت على اليمين واليسار.
- 3- ثقب لاحتمالية تثبيت حلقة سحب.
- 4- ذراع لحام متحرك.
- 5- ذراع لحام ثابت.
- 6- كابل التغذية بالطاقة.
- 7- لوحة الخصائص.
- 8- مبادل دقيق.
- 9- ضبط وقت اللحام (فقط بالنسبة لطراز 5.8 كيلو أمبير (الشكل B1)؛ بالنسبة لطرازات 6.9 كيلو أمبير أنظر البند 2.4: لوحة مفاتيح التحكم
- 10- ذراع التدبيس.

2.4 لوحة مفاتيح التحكم (فقط بالنسبة لطرازات 6.9 كيلو أمبير) (الشكل C)

- 1- زر لتعديل وقت اللحام:
- يعمل على تعديل وقت اللحام بالنسبة لظروف العمل المعيارية في المصنع.
- 2- زر لاختيار سمك الصفائح:
- يختار سمك الصفائح الواجب لحامها.
- 3- زر اختيار طريقة اللحام:

تنبيه:

تيار اللحام والزر.

بتنفيذ هذا الاختيار يتم تحسين قدرات اللحام على صفائح ذات حد عالي من المقاومة أو على صفائح ذات أغلفة وقائية خاصة، إن وقت النبض أوتوماتيكي ولا يحتاج لضبط.

4- مؤشرات ضوئية ثنائية الصمام للتنبه بتدخل الحماية الحرارية.

يقوم المؤشران الضوئيان بالوميض المتبادل وتظل باقي المؤشرات الضوئية مطفأة مما يحذر بتعطل آلة اللحام بالتدبيس بسبب ارتفاع درجة الحرارة؛ استعادة التشغيل تلقائياً عندما تعود درجة الحرارة إلى الحدود المسموح بها.

5. التركيب



تنبيه! يتم القيام بجميع عمليات التركيبات والتوصيلات الكهربائية عندما تكون آلة اللحام مطفأة ومنعزلة عن شبكة التغذية بالطاقة.

يجب القيام بالتوصيلات الكهربائية حصراً من قبل عمال خبراء مؤهلين.

1.5 التجهيز

يتم فك غلاف آلة اللحام ثم تركيب الأجزاء المنفصلة المشتملة في الحزمة.

2.5 طريقة الرفع

تنبيه: جميع آلات اللحام بالتدبيس الموضحة في هذا الدليل خالية من أدوات الرفع؛ في حالة الرغبة في تثبيت حلقة سحب لتعليق آلة اللحام باستخدام الثقب (الشكل F) (2) يجب الانتباه إلى عدم إدخال الجزء المسنن أكثر من 8 ممر.

3.5 التثبيت

خصص لموقع التثبيت منطقة واسعة بشكل كافي وخالية من العوائق مع ضمان إمكانية الوصول إلى لوحة مفاتيح التحكم ومنطقة العمل (الاقطاب) في أمان كامل.

تأكد من أنه لا توجد عوائق أمام فتحات دخول وخروج هواء التبريد، مع التحقق من عدم إمكانية استنشاق غبار الموصلات وأبخرة التآكل والرطوبة، الخ.

ضع آلة اللحام على سطح مستوي من مادة متجانسة ومتماشكة مناسبة لتحمل وزنها (انظر "البيانات الفنية") من أجل تجنب خطر الانقلاب أو التحركات الخطرة.

4.5 التوصيل بالشبكة

1.4.5 التحذيرات

- قبل إجراء أية توصيلات كهربائية، تأكد من أن بيانات لوحة آلة اللحام بالتدبيس تتوافق مع جهد وتردد التيار المتاح في موقع التثبيت.

- يجب توصيل آلة التدبيس حصرياً بنظام تغذية بالطاقة ذو موصل محايد متصل بالارض.

- لضمان الحماية ضد الاتصال الغير مباشر يجب استخدام مفتاح تبادل من نوع:

- نوع A () للمكينات أحادية المرحلة؛

- نوع B () للمكينات ثلاثية المرحلة.

- لتلبية متطلبات التشريعات EN 61000-3-11 (الرجفة) يوصي بتوصيل آلة اللحام من نقاط الواجهة لشبكة التغذية بالطاقة التي تتميز بمقاومة أقل من Zmax يساوي 0.179 أوم.

- آلة اللحام ليست ضمن متطلبات التشريعات IEC / EN 61000-3-12.

إذا كانت آلة اللحام متصلة بشبكة تغذية عامة للطاقة، فمن مسؤوليئة المشي أو المستخدم التحقق من أن آلة اللحام بالتدبيس يمكن أن تكون موصلة (إذا لزم الأمر، استشير مشغل شبكة التوزيع).

2.4.5 القابس ومأخذ الطاقة

يتم توصيل كابل التغذية بالطاقة بقابس عادي (3 قطب + أرضي: يتم استخدام قطين فقط للتوصيل 400 فولت بيتي؛ 2 قطب + أرضي: للاتصال 230 فولت أحادي المرحلة) ذو قدرة مناسبة ويتم ادخاله في مأخذ للتيار الكهربائي ذو صمامات أو قاطع دائرة تلقائياً؛ يجب أن تكون المحطة الأرضية مناسبة لسلك الخط الأرضي (الأصفر-الأخضر) لشبكة التغذية بالطاقة.

إن طريقة التوصيل وعدد أقطاب القابس الجدير بالاستخدام، على أساس نظام التوزيع وجهد التغذية بالطاقة لآلة اللحام الخاصة بكم يجب أن تتفق مع ما ورد في الجدول لع 3؛ 4؛ 5.

إن قدرة تحمل القابس وخاصة تدخل صمامات الامان وزر التبادل المغناطيسي الحراري واردة في الجداول ج 1 و ج 7.

إذا تم تركيب أكثر من آلة تدبيس يتم توزيع التغذية بالطاقة دورياً بين المراحل الثلاثة بطريقة تسمح بالوصول إلى قدرة تحمل متوازنة؛ على سبيل المثال:

آلات اللحام بالتدبيس 230 فولت:

آلة تدبيس 1: تغذية بالطاقة L1-N.

آلة تدبيس 2: تغذية بالطاقة L2-N.

آلة تدبيس 3: تغذية بالطاقة L3-N.

الخ.

آلات اللحام بالتدبيس 400 فولت:

آلة تدبيس 1: تغذية بالطاقة L1-L2؛

آلة تدبيس 2: تغذية بالطاقة L2-L3؛

آلة تدبيس 3: تغذية بالطاقة L3-L1.

الخ.



تنبيه! إن اغفال القواعد أعلاه يجعل نظام الامان المقدم من الشركة المصنعة غير فعال (الفئة 1) عادية على مخاطر كبيرة تالية على الأشخاص (على سبيل المثال الصدمة الكهربائية) والاشياء (على سبيل المثال إندلاع حريق).

6. اللحام (التدبيس)

1.6 عمليات أولية

قبل القيام بأية عملية لحام بالتدبيس يلزم القيام بمجموعة من التحققات عندما تكون آلة اللحام لا تزال منعزلة عن الشبكة:

- 1- التحقق من أن الاتصال الكهربي نافذ بشكل صحيح وفقاً للإرشادات السابقة.
- 2- توازي وقوة الأقطاب:
- يتم أحكام تثبيت القطب السفلي في الوضعية الانسب بالنسبة للعمل الواجب القيام به،
- يتم إرخاء مسامير التثبيت الخاصة بالقطب العلوي للسماح بانزلاق ثقبه في الذراع،
- الإبقاء بين الاقطاب على سمك يعادل ذلك الخاص بالصفائح المراد لحامها،
- الشكل D يتم غلق الذراع 2 حتى يتوازنا الذراعان وتتقابل أطراف الاقطاب؛ يتم إحكام ربط المسمار 3 (M6) الموفر في الثقب 1 لتثبيت الزراع في وضعية مناسبة لتنفيذ ضبط القوة،
- يتم تثبيت القطب العلوي على الوضعية الصحيحة من خلال الاحكام الدقيق للمسمار،
- يتم ضبط القوة الممارسة من الاقطاب خلال مرحلة اللحام الشكل E من خلال التعامل على مساميرالضبط (1) باستخدام المفتاح الموفر؛ القيمة المعدة على أساس وضعية المؤشر لمقياس التدرج مشار إليها بالشكل F. يقدر ح 6 قيم القوة التي يمكن الحصول عليها مع أطوال مختلفة للأذرع.
- يتم الربط باتجاه عقارب الساعة (يميني) لزيادة القوة بطريقة متناسبة مع زيادة سمك الصفائح مع الضبط تسمح بأن يكون عمل الكماشة وزر التشغيل الدقيق من خلال ممارسة قوة محدودة.

2.6 ضبط المعايير

1.2.6 طرازات 6.9 كيلو أمبير

- يتم اختيار سمك الصفحة المراد لحامها باستخدام الزر (2 - الشكل C) الموجود على لوحة مفاتيح آلة اللحام؛
- يتم اختيار نوع اللحام (مستمر أو النبض) باستخدام الزر (3 - الشكل C).
- يمكن التعديل بالزيادة أو النقصان، إذا كان ضرورياً، لوقت اللحام الافتراضي باستخدام زر (1 - الشكل C).

2.2.6 طرازات 5.8 كيلو أمبير

يتم ضبط وقت اللحام باستخدام مقياس الجهد (9 - الشكل B1) الموجود خلف آلة اللحام؛ يتم استخدام قيم أقل تتوافق مع التنفيذ الصحيح لنقطة اللحام (أنظر: 3.6 الاجراء)

3.6 الاجراء

بعد تغذية آلة اللحام بالطاقة وتنفيذ نقطة اللحام يتم اتباع الخطوات التالية:

- يتم وضع القطب السفلي على الصفحة المراد لحامها؛
- يتم تحريك ذراع الكماشة حتى نهاية المجرة حتى الضغط على زر التشغيل الدقيق (8 - الشكل B) للحصول على: (أ) حبس الصفحة بين القطبين بالقوة المعدة مسبقاً؛
- (ب) مرور تيار اللحام للوقت المحدد مسبقاً.
- يتم ترك ذراع الكماشة بعد بضع لحظات. هذا التأخير (المحافظ) يسمح بالحصول على صفات ميكانيكية أفضل لنقطة اللحام.

في غياب الخبرة النوعية فإنه من المناسب تنفيذ بعض اختبارات اللحام باستخدام سمك صاج من نفس نوع وجودة وسمك العمل المطلوب تنفيذه.

يكون تنفيذ نقطة اللحام صحيح عندما يتم اخضاع قطعة تجريبية لمحاولة السحب لمحاولة استخراج نواة نقطة اللحام من إحدى صفيحي اللحام.



تنبيه! آلة اللحام مزودة بموصل واطي يربط دائرة اللحام بالخط الارضي مباشرة.

يتم القيام باللحام فقط إذا كان كلتا صفيحي اللحام منعزلة على الارض!

في حالة خلاف ذلك يتم إيقاف العمل فوراً مع التحقق من موصل الحماية الخاص بالجهاز وآلة اللحام من قبل شخص

7. الصيانة



إتبه! قبل القيام بعمليات الصيانة، تأكد من آلة اللحام بالتدريس معطلة ومفصوله عن شبكتي الامداد بالطاقة الكهربائية والهواء (إن وجدت). يجب تثبيت المفتاح العام على وضعية "O" بواسطة القفل المرفق عند العمل بواسطة آلات التدريس التي تعمل بالأسطوانة الهوائية.

1.7 الصيانة الدورية

يمكن للعامل القيام بعمليات الصيانة الدورية.

- ملائمة / استعادة قطر وقطاع طرف قطب اللحام؛
- التحقق من توازي الاقطاب؛
- التحقق من حمل الناظ (قوة الاقطاب)؛
- التحقق من سلامة كابل التغذية بالطاقة الخاص بآلة اللحام والكماشة.
- استبدال الاقطاب والاذرع؛

2.7 صيانة طارئة

يجب أن يقوم بعمليات الصيانة الطارئة فقط عاملين ذوي خبرة أو مؤهلين في المجال الكهربائي-الميكانيكي.



إتبه! قبل إزالة لوحات آلة اللحام بالتدريس والدخول إليها تأكد من أنها معطلة ومفصوله عن شبكتي الامداد بالطاقة الكهربائية والهواء (إن وجدت). أية تحقيقات يتم تنفيذها في إطار توتر داخل آلة اللحام يمكن أن تتسبب في صدمة كهربائية شديدة تشأ من الاتصال المباشر مع الأجزاء المتوترة و / أو الإصابة بسبب الاتصال مع أجزاء متحركة. بصفتي دورية وفي جميع الأحوال بشكل متكرر بناءً على الاستخدام والظروف البيئية، افحص الجزء الداخلي من آلة اللحام بالتدريس لإزالة الأتربة والجزئيات المعدنية المترسبة على المحول وقطاع الثنائيات والكتلة الطرفية للتغذية، الخ، بواسطة قاذف من الهواء المضغوط الجاف (بحد أقصى 5 بار). تجنب توجيه قذف الهواء المضغوط على اللوحات الإلكترونية؛ يتم تنظيفها في نهاية المطاف بفرشاة ناعمة جداً أو بمذيب مناسب.

استغل المناسبة:

- تحقق من أن الكابلات لا توجد بها أضرار في العزل أو وصلاتٍ مرخية أو مؤكسدة.
- تشحيم المفاصل والمسامير.
- التحقق من أن مسامير اتصال المحول الثانوي مع انصهار حاملات الاذرع محكمة جيداً ولا توجد عليها علامات كسدة أو ذات حرارة مفرطة؛ وهو نفس الامر بالنسبة لمسامير إحكام ربط الاذرع وحاملات الاقطاب.
- تحقق من أن مسامير التوصيل الثانوي للمحول على القضبان / الضفائر الخارجة تكون مربوطة بشكل جيد ولا توجد بها علامات الأكسدة أو ارتفاع الحرارة.
- التحقق من استمرارية دائرة الخط الارضي الخاصة بالآلة مع دائرة اللحام (الاقطاب).
- تحقق من أن مسامير التوصيل الثانوي للمحول (إن وجدت) محكمة جيداً ولا توجد بها علامات الأكسدة أو ارتفاع الحرارة.
- بعد القيام بالصيانة أو الاصلاح يتم استعادة توصيل الكابلات كما كانت في الاصل مع العناية بالألا تلامس هذه الكابلات أجزاء متحركة أو أخرى قد تصل إلى درجات حرارة مرتفعة. يتم تجميع وتثبيت جميع الموصلات كما كانت في الاصل على أن تكون توصيلات بادئ التشغيل ذو الجهد العالي منفصلة فيما بينها عن تلك الثانوية ذات الجهد المنخفض.
- يتم استخدام جميع الوردات والمسامير الاصلية لاعادة غلق حاوية الآلة.

3.7 البحث عن أعطال

- في حالة التشغيل غير المرضية وقبل التنفيذ يتم التدقيق بشكل منهجي أو الرجوع إلى مركز خدمتك والتحقق من أن:
- عندما يتم تحريك ذراع اللحام يتم الضغط بالفعل على المفتاح الدقيق للتشغيل وبالتالي السماح للوحة الالكترونية بتنفيذ اللحام.
 - أنه لم تتدخل وسائل الحماية الحرارية.
 - العناصر التي تُشكل أجزاءً من الدائرة الثانوية (انصهار لحاملات الاذرع - اذرع - حامل الاقطاب) لا تكون فعالة بسبب مسامير مرخاة أو عمليات تأكسد.
 - معايير اللحام (قوة ومحيط الاقطاب ووقت اللحام) ليست غير ملائمة للعمل الجاري تنفيذه.

FIG. A

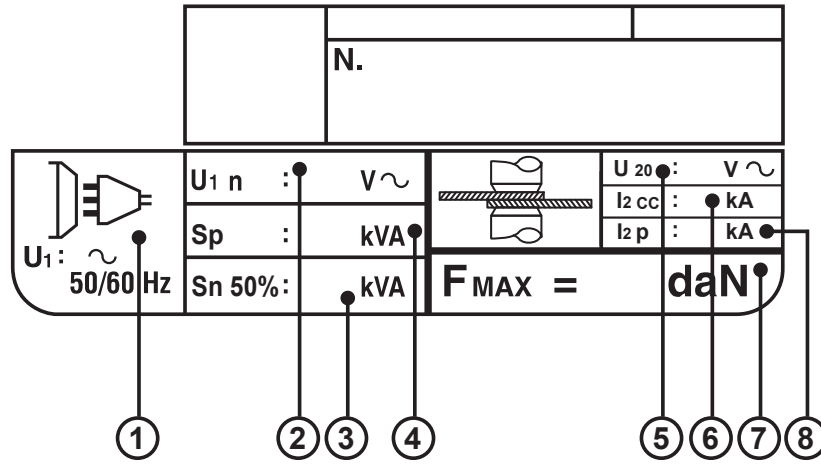


FIG. B

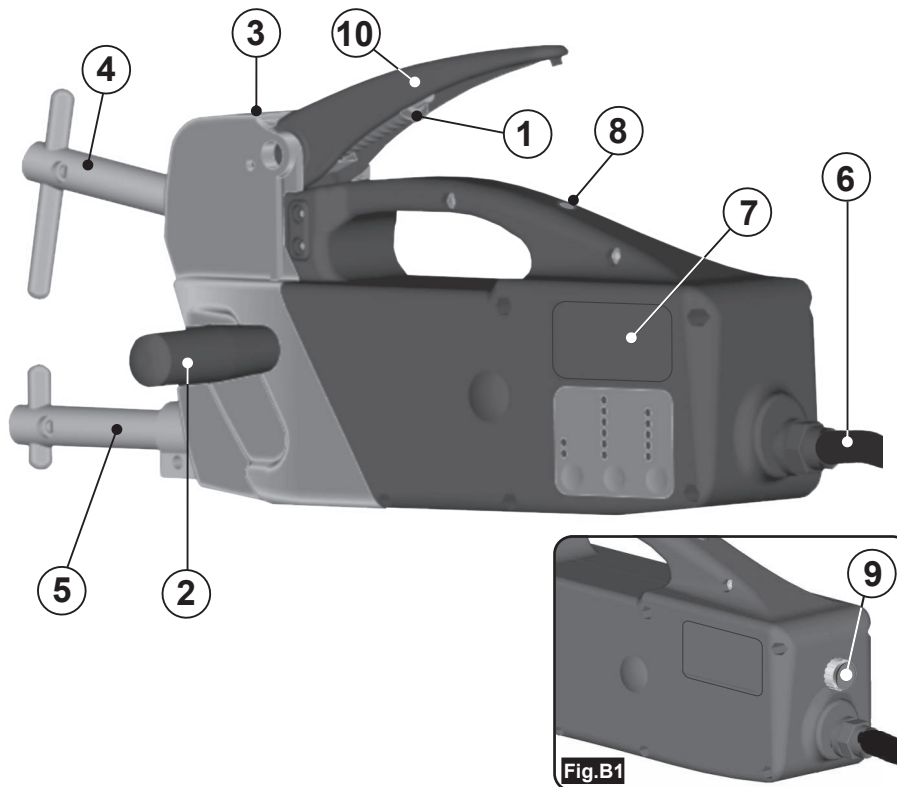


FIG. C

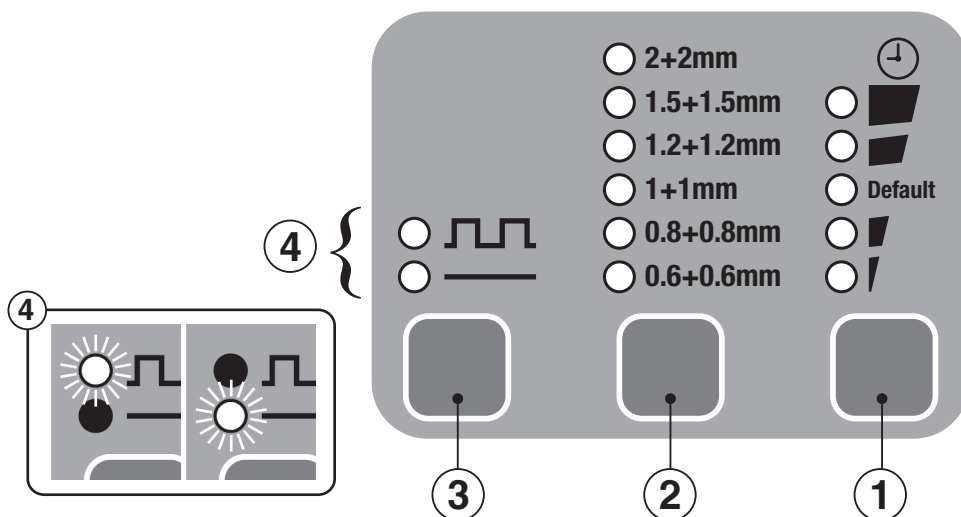


FIG. D

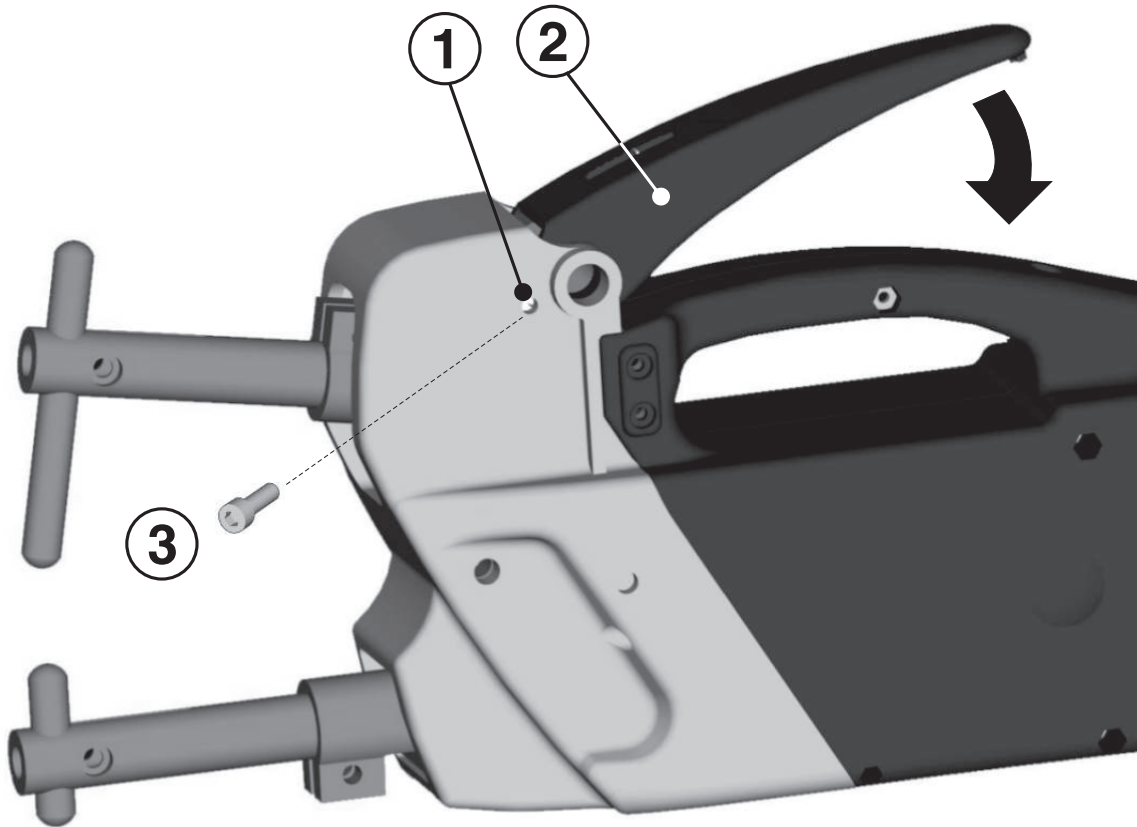


FIG. E

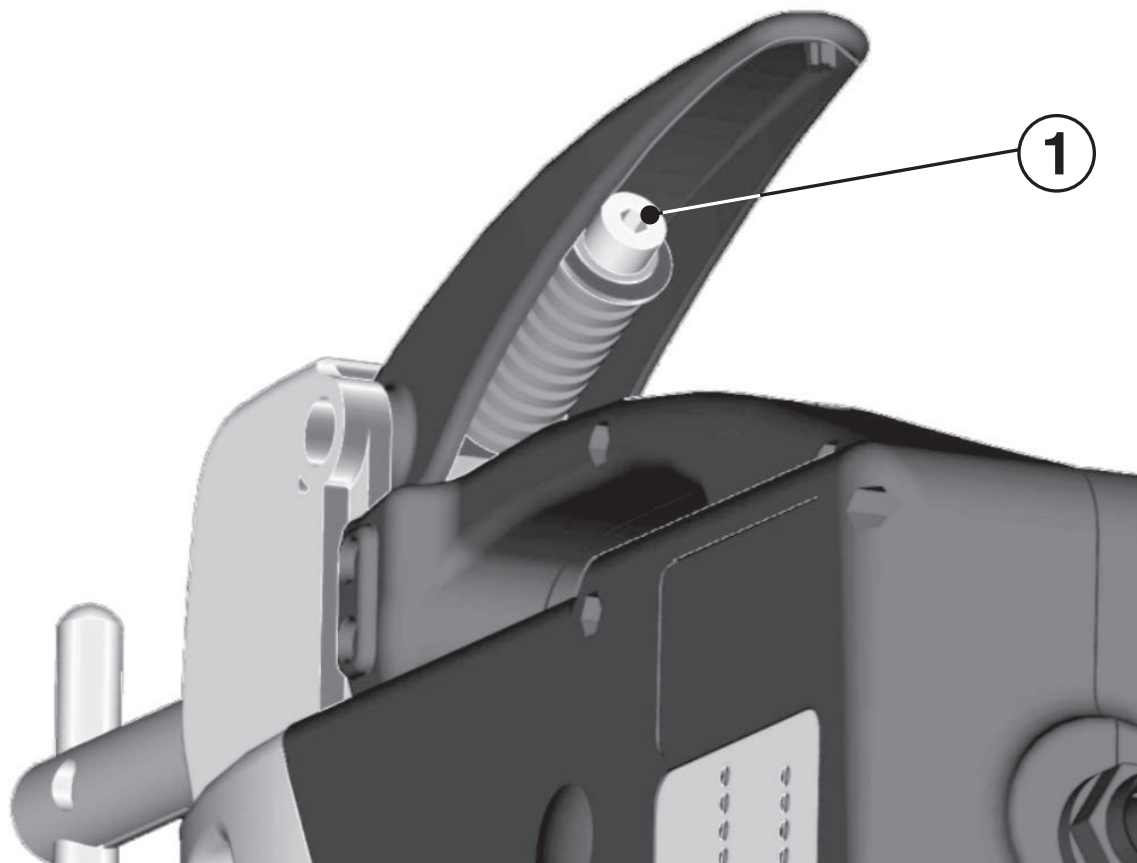
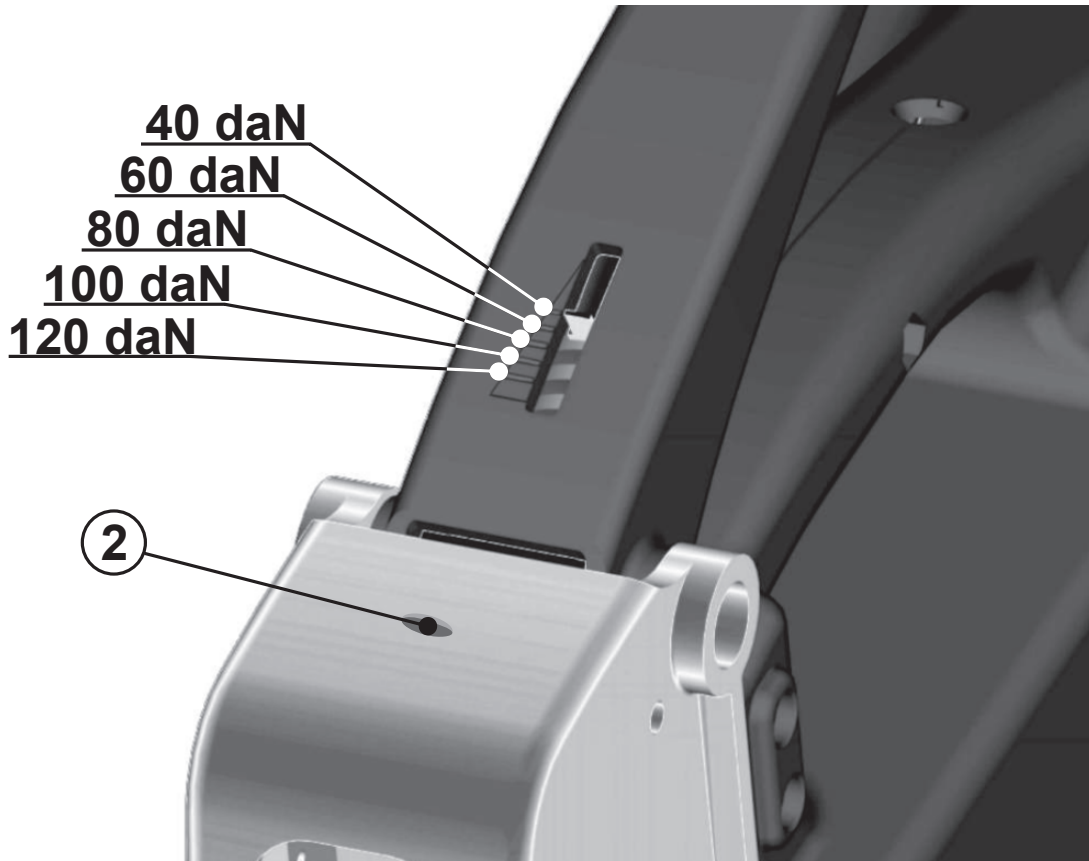


FIG. F



TAB. 1

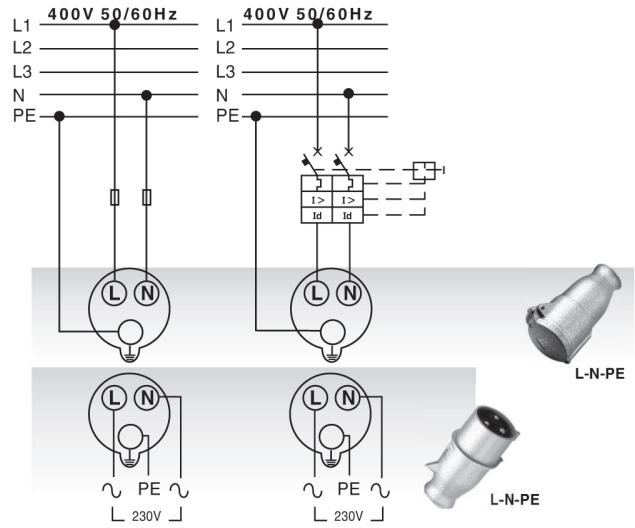
CARATTERISTICHE GENERALI: CARACTÉRISTIQUES GÉNÉRALES: GENERAL FEATURES: ALLGEMEINE EIGENSCHAFTEN: CARACTERISTICAS GENERALES:

	Mod. 5.8kA	Mod. 6.9kA
- Tensione e frequenza di alimentazione: / Tension et fréquence d'alimentation: Power supply voltage and frequency: / Versorgungsspannung und-Frequenz: Tensión y frecuencia de alimentación:	(*) 400V(380V-415V) ~ 2ph-50/60 Hz 230V(220V-240V) ~ 1ph-50/60 Hz	
- Classe di protezione elettrica: / Classe de protection électrique: Electrical protection class: / Elektrische Schutzklasse: / Clase de protección eléctrica:	I	
- Tipo di raffreddamento: / Type de refroidissement: / Type of cooling: / Kühlungsart: / Tipo de refrigeración:	N (aria naturale)	
- Ingombro (LxWxH): / Dimensions(LxWxH): / Dimensions (LxWxH): / Umfang(LxWxH): / Volumen:	440x100x185	
- Peso con bracci: / Masse avec bras: / Mass with arms: / Masse mit Armen: / Masa con brazos:	10.5kg	
INPUT :		
- Potenza massima di corto circuito: / Puissance maximum de Court circuit: / Max short circuit power: / Maximale stromstärke bei Kurzschluß: / Potencia máxima de corto circuito:	12 kVA	
- Potenza nominale al 50% (S_n): / Puissance nominale à 50% (S _n) Rated power at 50% (S _n): / Nennleistung bei 50% (S _n): / Potenza nominal al 50% (S _n):	1.4 kVA	
- Fattore di potenza a S_{max} (cosφ): / Facteur de puissance à S _{max} (cosφ): Power factor at S _{max} (cosφ): / Leistungsfaktor bei S _{max} (cosφ): / Factor de potencia a S _{max} (cosφ):	0.9	
- Fusibili di rete ritardati: / Fusibles de ligne retardés: Delayed mains fuses: / Sicherungen verzögerter Leitung: / Fusibles de línea retardados:	16A(230V)	
- Interruttore automatico di rete: / Interrupteur automatique de ligne: Automatic mains switch: / Automatischer Stromunterbrecher: / Interruptor automático de línea:	10A(230V)	
- Spina e presa: / Fiche et prix: / Plug and socket: / Stecker und Dose: / Clavija y base	16A	
OUTPUT :		
- Tensione secondaria a vuoto (U₂₀ max): / Tension secondaire à vide (U ₂₀ max.): Secondary no-load voltage (U ₂₀ max): / Sekundärspannung unbelastet (U ₂₀ max): Tensión secundaria al vacío (U ₂₀ max):	2V	
- Corrente max di corto circuito (I₂ cc): / Courant max. de court circuit (I ₂ cc): Max short circuit current (I ₂ cc): / Max. Kurzschlußstrom (I ₂ cc): / Corriente máxima de corto circuito (I ₂ cc):	5.8 kA	
- Capacità di puntatura (acciaio basso tenore carbonio e bracci standard): Capacité de pointage (acier à basse teneur en carbone et bras standards): Spot-welding capacity (low content carbon steel and standard arms): Heftschweißleistung (Stahl mit niedrigem Kohleanteil und Standardarme): Capacidad de punteado (acero bajo contenido en carbono y brazos estándar):	1+1mm	
- Punti/minuto su acciaio 1+1mm: / Points/minutes sur de l'acier de 1+1mm: / Spots/minute on steel 1+1mm: Punkte/Minute auf Stahl 1+1mm: / Puntos / minuto sobre acero 1+1 mm:	3	
- Minimo periodo di riposo tra punti successivi su acciaio 1+1mm: Période minimale de repos entre les points successifs sur de l'acier: Minimum rest period between successive spot-welds on steel: Mindestruhedauer zwischen zwei aufeinander folgenden Punkten auf Stahl 1+1mm: Periodo mínimo de reposo entre puntos sucesivos sobre acero	20s	
- Tempo di puntatura: / Temps de pointage: / Spot-welding time: / Heftschweißdauer: / Tiempo de punteado:	100-1100ms	
- Forza massima agli elettrodi: / Force maximale aux électrodes: / Maximum force at the electrodes:	120kg	
- Sporgenza bracci: / Saillie des bras: / Projection of arms: / Ausladung Arme: / Saliente brazos:	120mm	

(*) La puntatrice può essere fornita con tensione di alimentazione di 400V o 230V; verificare il valore corretto in targa dati.

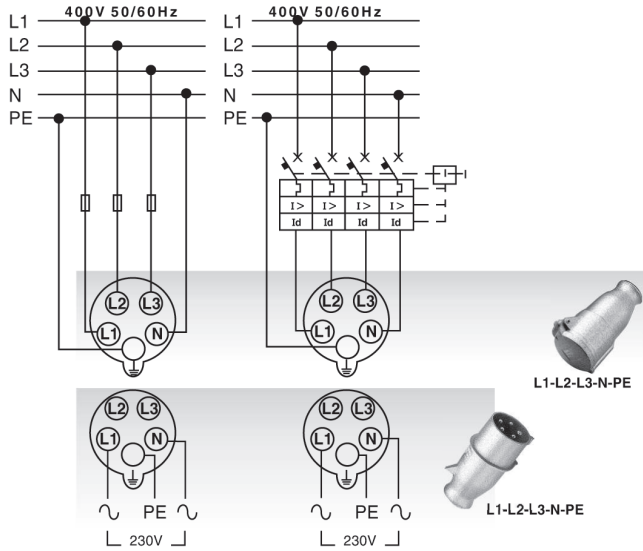
TAB. 2

**MOD. 6.9kA (230V),
MOD. 5.8kA**



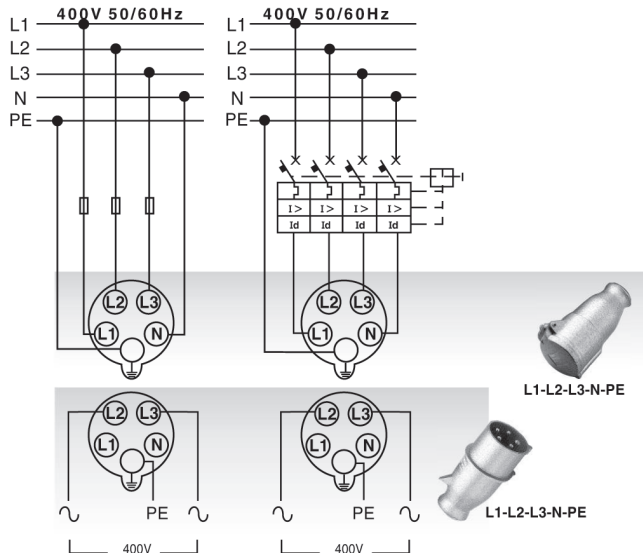
TAB. 3

**MOD. 6.9kA (230V),
MOD. 5.8kA**

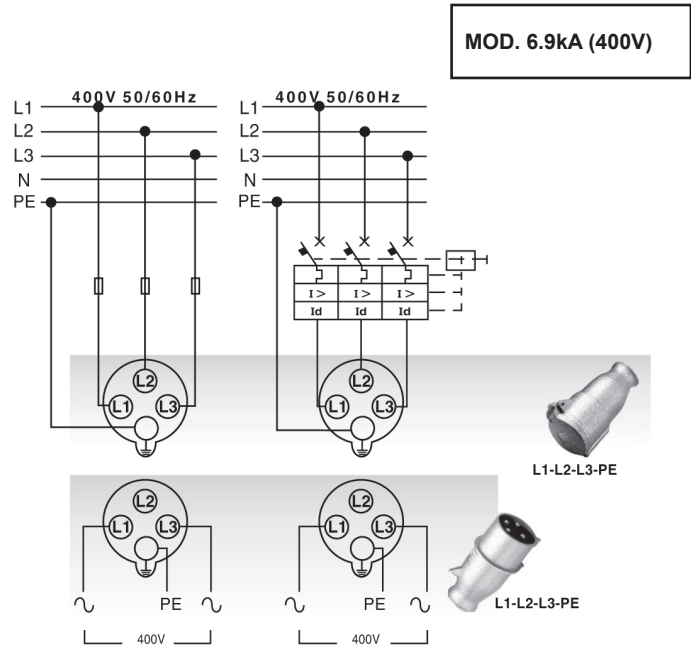


TAB. 4

MOD. 6.9kA (400V)



TAB. 5



TAB. 6

BRACCI BRAS ARMS ARMEN BRAZOS	VALORE DELLA FORZA VALEUR DE LA FORCE PRESSURE VALUE DRUCKWERT VALOR DE FUERZA				
	} daN				
120	120	100	80	60	40
250	77	55	43	32	23
350	47	38	33	23	
500	28	25	18		

TAB. 7




I_2 max					
	230V	400V	230V	400V	kg
5.8kA	T16A	-	16A	-	10
6.9kA	T25A	T16A	32A	16A	10.5

FIG. G

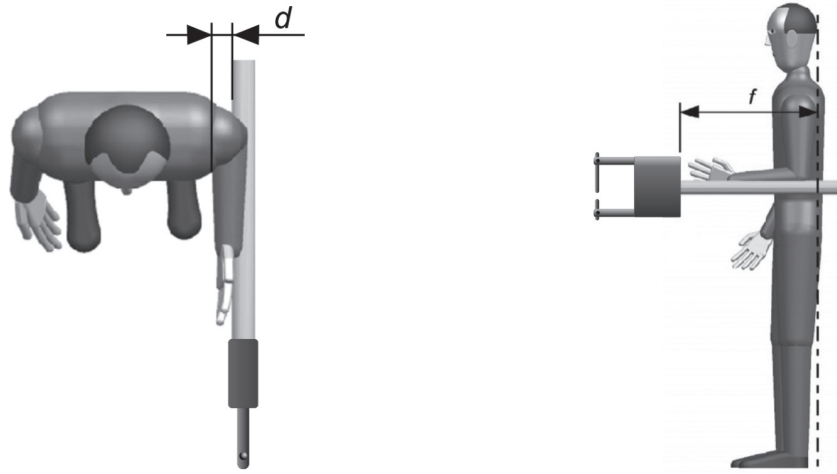


FIG. H

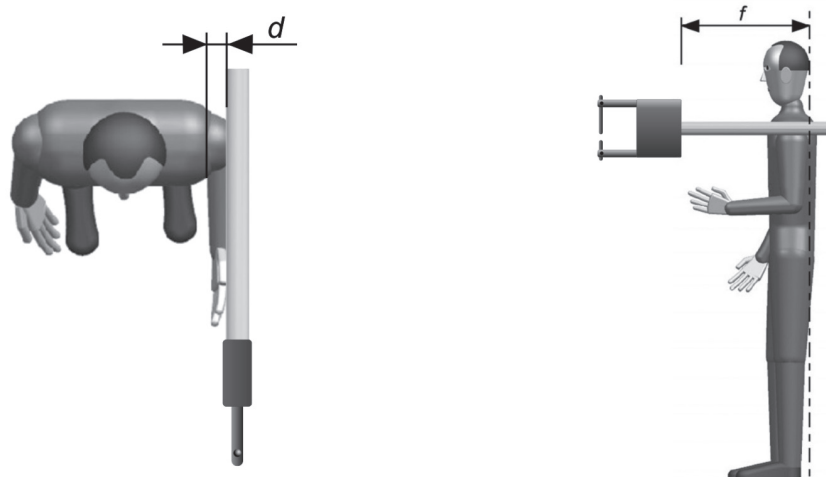


FIG. I

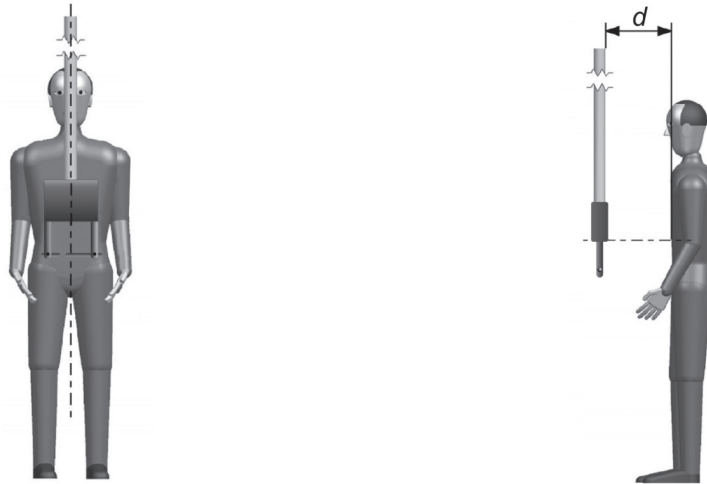
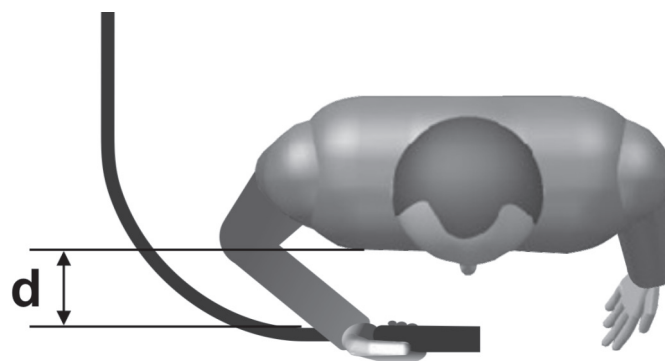


FIG. L



(EN) GUARANTEE

The manufacturer guarantees proper operation of the machines and undertakes to replace free of charge any parts should they be damaged due to poor quality of materials or manufacturing defects within 12 months of the date of commissioning of the machine, when proven by certification. Returned machines, also under guarantee, should be dispatched CARRIAGE PAID and will be returned CARRIAGE FORWARD. This with the exception of, as decreed, machines considered as consumer goods according to European directive 1999/44/EC, only when sold in member states of the EU. The guarantee certificate is only valid when accompanied by an official receipt or delivery note. Problems arising from improper use, tampering or negligence are excluded from the guarantee. Furthermore, the manufacturer declines any liability for all direct or indirect damages.

(IT) GARANZIA

La ditta costruttrice si rende garante del buon funzionamento delle macchine e si impegna ad effettuare gratuitamente la sostituzione dei pezzi che si deteriorassero per cattiva qualità di materiale e per difetti di costruzione entro 12 mesi dalla data di messa in funzione della macchina, comprovata sul certificato. Le macchine rese, anche se in garanzia, dovranno essere spedite in PORTO FRANCO e verranno restituite in PORTO ASSEGNATO. Fanno eccezione, a quanto stabilito, le macchine che rientrano come beni di consumo secondo la direttiva europea 1999/44/CE, solo se vendute negli stati membri della EU. Il certificato di garanzia ha validità solo se accompagnato da scontrino fiscale o bolla di consegna. Gli inconvenienti derivati da cattiva utilizzazione, manomissione o incuria, sono esclusi dalla garanzia. Inoltre si declina ogni responsabilità per tutti i danni diretti ed indiretti.

(FR) GARANTIE

Le fabricant garantit le fonctionnement correct des machines et s'engage à remplacer gratuitement les composants endommagés à la suite d'une mauvaise qualité de matériel ou d'un défaut de fabrication durant une période de 12 mois à compter de la mise en service de la machine attestée par le certificat. Les machines rendues, même sous garantie, doivent être expédiées en PORT FRANCO et seront renvoyées en PORT DÙ. Font exception à cette règle les machines considérées comme biens de consommation selon la directive européenne 1999/44/CE et vendues aux états membres de l'EU uniquement. Le certificat de garantie n'est valable que s'il est accompagné de la preuve d'achat ou du bulletin de livraison. Tous les inconvénients dus à une utilisation incorrecte, une manipulation ou une négligence sont exclus de la garantie. La société décline en outre toute responsabilité pour tous les dommages directs ou indirects.

(ES) GARANTÍA

La empresa fabricante garantiza el buen funcionamiento de las máquinas y se compromete a efectuar gratuitamente la sustitución de las piezas que se deterioren por mala calidad del material y por defectos de fabricación en los 12 meses posteriores a la fecha de puesta en funcionamiento de la máquina, comprobada en el certificado. Las máquinas entregadas, incluso en garantía, deberán ser enviadas a PORTE PAGADO y se devolverán a PORTE DEBIDO. Son excepción, según cuanto establecido, las máquinas que se consideran bienes de consumo según la directiva europea 1999/44/CE sólo si han sido vendidas en los estados miembros de la UE. El certificado de garantía tiene validez sólo si está acompañado de resguardo fiscal o albarán de entrega. Los problemas derivados de una mala utilización, modificación o negligencia están excluidos de la garantía. Además, se declina cualquier responsabilidad por todos los daños directos e indirectos.

(DE) GEWÄHRLEISTUNG

Der Hersteller übernimmt die Gewährleistung für den einwandfreien Betrieb der Maschinen und verpflichtet sich, solche Teile kostenlos zu ersetzen, die aufgrund schlechter Materialqualität und von Herstellungsfehlern innerhalb von 12 Monaten ab der Inbetriebnahme schadhaft werden. Als Nachweis der Inbetriebnahme gilt der Garantieschein. Werden Maschinen zurückgesendet, muß dies - auch im Rahmen der Gewährleistung - FRACHTFREI geschehen. Sie werden anschließend per FRACHTNACHNACHNAME wieder zurückgesendet. Von den Regelungen ausgenommen sind Maschinen, die nach der Europäischen Richtlinie 1999/44/EG unter die Verbrauchsgüter fallen, und nur dann, wenn sie in einem Mitgliedstaat der EU verkauft worden sind. Der Garantieschein ist nur gültig, wenn ihm der Kassenbon oder der Lieferschein beiliegt. Unsere Gewährleistung bezieht sich nicht auf Schäden aufgrund fehlerhafter oder nachlässiger Behandlung oder aufgrund von Fremdeinwirkung. Außerdem wird jede Haftung für direkte und indirekte Schäden ausgeschlossen.

(RU) ГАРАНТИЯ

Компания-производитель гарантирует хорошую работу машинного оборудования и обязуется бесплатно произвести замену частей, имеющих неисправности, явившиеся следствием плохого качества материала или дефектов производства, в течении 12 месяцев с даты пуска в эксплуатацию машинного оборудования, предоставленной на сертификате. Возвращенное оборудование, даже находящееся под действием гарантии, должно быть направлено на условиях ПОРТО ФРАНКО и будет возвращено в УКАЗАННОЕ МЕСТО. Из оговоренного выше исключается машинное оборудование, считающееся товарами потребления, в соответствии с европейской директивой 1999/44/ЕС, только в том случае, если они были проданы в государствах, входящих в ЕС. Гарантийный сертификат считается действительным только при условии, что к нему прилагается товарный чек или товаросопроводительная накладная. Неисправности, возникшие из-за неправильного использования, порчи или небрежного обращения, не покрываются действием гарантии. Дополнительно производитель снимает с себя любую ответственность за какой-либо прямой или непрямо́й ущерб.

(PT) GARANTIA

A empresa fabricante torna-se garante do bom funcionamento das máquinas e compromete-se a efectuar gratuitamente a substituição das peças que porventura se deteriorarem devido à má qualidade de material e por defeitos de fabricação no prazo de 12 meses da data de entrada da máquina em funcionamento, comprovada no certificado. As máquinas devolvidas, mesmo se em garantia, deverão ser despachadas em PORTO FRANCO e serão devolvidas com FRETE A PAGAR. São excepção, a quanto estabelecido, as máquinas que são consideradas como bens de consumo segundo a directiva europeia 1999/44/CE, somente se vendidas nos estados-membros da EU. O certificado de garantia tem validade somente se acompanhado pela nota fiscal ou comhecimento de entrega. Os inconvenientes decorrentes de utilização imprópria, adulteração ou descuido, são excluídos da garantia. Para além disso, o fabricante exime-se de qualquer responsabilidade para todos os danos directos e indirectos.

(EL) ΕΓΓΥΗΣΗ

Η κατασκευαστική εταιρία εγγυάται την καλή λειτουργία των μηχανών και δεσμεύεται να εκτελέσει δωρεάν την αντικατάσταση τμημάτων σε περίπτωση φθοράς τους εξαιτίας κακής ποιότητας υλικού ή ελαττωμάτων κατασκευής, εντός 12 μηνών από την ημερομηνία θέσης σε λειτουργίας του μηχανήματος επιβεβαιωμένη από το πιστοποιητικό. Τα μηχανήματα που επιστρέφονται, ακόμα και αν είναι σε εγγύηση, θα στέλνονται ΧΩΡΙΣ ΕΠΙΒΑΡΥΝΣΗ και θα επιστρέφονται με έξοδα ΠΛΗΡΩΤΕΑ ΣΤΟΝ ΠΡΟΟΡΙΣΜΟ. Εξαιρούνται από τα οριζόμενα τα μηχανήματα που αποτελούν καταναλωτικά αγαθά σύμφωνα με την ευρωπαϊκή οδηγία 1999/44/EC μόνο αν πωλούνται σε κράτη μέλη της ΕΕ. Το πιστοποιητικό εγγύησης ισχύει μόνο αν συνοδεύεται από επίσημη απόδειξη πληρωμής ή απόδειξη παραλαβής. Ενδεχόμενα προβλήματα οφειλόμενα σε κακή χρήση, παραποίηση ή αμέλεια, αποκλείονται από την εγγύηση. Απορρίπτεται, επίσης, κάθε ευθύνη για οποιαδήποτε βλάβη άμεση ή έμμεση.

(NL) GARANTIE

De fabrikant is garant voor de goede werking van de machines en verplicht er zich toe gratis de vervanging uit te voeren van de stukken die afsljten omwille van de slechte kwaliteit van het materiaal en omwille van fabricagefouten, binnen de 12 maanden vanaf de datum van in bedrijfstelling van de machine, bevestigd op het certificaat. De geretoureerde machines, ook al zijn ze in garantie, moeten PORTVRIJ verzonden worden en zullen op KOSTEN BESTEMMELING teruggestuurd worden. Hierop maken een uitzondering de machines die vallen onder de verbruiksartikelen overeenkomstig de Europese richtlijn, 1999/44/EG, alleen indien ze verkocht zijn in de lidstaten van de EU. Het garantiecertificaat is alleen geldig indien het vergezeld is van de fiscale reçu of van het ontvangstbewijs. De inconvenienten te wijten aan een slecht gebruik, schendingen of nalatigheid zijn uitgesloten uit de garantie. Bovendien wijst men alle verantwoordelijkheid af voor alle rechtstreekse en onrechtstreekse schade.

(HU) JÓTÁLLÁS

A gyártó cég jótállást vállal a gépek rendeltetészerű üzemeléséért illetve vállalja az alkatrészek ingyenes kicserélését ha azok az alapanyag rossz minőségéből valamint gyártási hibából erednek a gép üzembe helyezésének a bizonylat szerint igazolható napjától számított 12 hónapon belül. A cserélendő alkatrészeket még a jótállás keretében is BÉRMENTESEN kell visszaküldeni, amelyek UTÓVÉTTTEL lesznek a vevőhöz kiszállítva. Kivételt képeznek e szabály alól azon gépek, melyek az Európai Unió 199/44/EC irányelve szerint meghatározott fogyasztási cikknek minősülnek, s az EU tagországokban kerültek értékesítésre. A jótállás csak a blokki igazolás illetve szállítólevél mellékletével érvényes. A nem rendeltetészerű használatból, megrongálásból illetve nem megfelelő gondossággal való kezeléssel eredő rendellenességek a jótállást kizárják. Kizárt továbbá bárminemű felelősségvállalás minden közvetlen és közvetett kárért.

(RO) GARANȚIE

Fabricantul garantează buna funcționare a aparatelor produse și se angajează la înlocuirea gratuită a pieselor care s-ar putea deteriora din cauza calității scadente a materialului sau din cauza defectelor de construcție în max. 12 luni de la data punerii în funcțiune a aparatului, dovedită cu certificatul de garanție. Aparatele restituite, chiar dacă sunt în garanție, se vor expedia FĂRĂ PLATĂ și se vor restitui CU PLATA LA PRIMIRE. Fac excepție, conform normelor, aparatele care se categorisesc ca și bunuri de consum, conform directivei europene 1999/44/EC, numai dacă acestea sunt vândute în statele membre din UE. Certificatul de garanție este valabil numai dacă este însoțit de bonul fiscal sau de fișa de livrare. Nefuncționarea cauzată de o utilizare improprie, manipulare inadecvată sau neglijență este exclusă din dreptul la garanție. În plus fabricantul își declină orice responsabilitate față de toate daunele provocate direct și indirect.

(SV) GARANTI

Tillverkaren garanterar att maskinerna fungerar bra och åtar sig att kostnadsfritt byta ut delar som går sönder p.g.a. dålig materialkvalitet och defekter inom 12 månader efter idriftsättningen av maskinen, som ska styrkas av intyg. De maskiner som lämnas tillbaka, även om de täcks av garantin, måste skickas FRAKTFRITT, och kommer att skickas tillbaka PÅ MOTTAGARENS BEKOSTNAD. Ett undantag från detta utgörs av de maskiner som räknas som konsumtionsvaror enligt EU-direktiv 1999/44/EG, och då enbart om de har sålts till något av EU:s medlemsländer. Garantisedeln är bara giltig tillsammans med kvitto eller leveranssedel. Problem som beror på felaktig användning, åverkan eller värdsöshet täcks inte av garantin. Tillverkaren fransäger sig även allt ansvar för direkt och indirekt skada.

(DA) GARANTI

Producenten stiller garanti for, at maskinerne fungerer ordentligt, og forpligter sig til vederlagsfrit at udskifte de dele, der måtte fremvise defekter på grund af ringe materialekvalitet eller fabriktionsfejl i løbet af de første 12 måneder efter maskinens idriftsættelsesdato, der fremgår af beviset. Selvom de returnerede maskiner er i garanti, skal de sendes FRANKO FRAGT, mens de tilbageleveres PR. EFTERKRÆV. Dette gælder dog ikke for de maskiner, der i henhold til Direktivet 1999/44/EØF udgør forbrugsgoder, men kun på betingelse af at de sælges i EU-landene. Garantibeviset er kun gyldigt, hvis der vedlægges en kassebon eller fragtpapirer. Garantien dækker ikke for forstyrrelser, der skyldes forkert anvendelse, manipulering eller skødesløshed. Producenten fralægger sig desuden ethvert ansvar for alle direkte og indirekte skader.

(NO) GARANTI

Tilverkeren garanterer maskinens korrekte funksjon og forplikter seg å utføre gratis bytte av deler som blir ødelagt på grunn av en dårlig kvalitet i materialer eller konstruksjonsfeil som oppstår innen 12 måneder fra maskinens igangsetting, i overensstemmelse med sertifikatet. Maskiner som sendes tilbake, også i løpet av garantiperioden, skal skikkes FRAKTFRITT og skal sendes tilbake MED BETALNING AV MOTTAKEREN, unntatt maskinene som tilhører forbruksvarer ifølge europadirektiv 1999/44/EC, kun hvis de selges i en av EUs medlemsstater. Garantisertifikatet er gyldig kun sammen med kvittering eller leveringsblankett. Feil som oppstår på grunn av galt bruk, manipulering eller slurv, er utelukket fra garantin. Dessuten frasier seg selskapet alt ansvar for alle direkte og indirekte skader.

(FI) TAKUU

Valmistusyritys takaa koneiden hyvän toimivuuden sekä huolehtii huonolaatuisen materiaalin ja rakennusvirheiden takia huonontuneiden osien vaihdosta ilmaiseksi 12 kuukauden sisällä koneen käyttöönottopäivästä, mikä ilmenee sertifikaatista. Palautettavat koneet, myös takuussa olevat, on lähetettävä LÄHETTÄJÄN KUSTANNUKSELLA ja ne palautetaan VASTAANOTTAJAN KUSTANNUKSELLA. Poikkeuksen muodostavat koneet, jotka asetuksissa kuuluvat kulutushyödykkeisiin eurooppalaisen direktiivin 1999/44/EC mukaan vain, jos ne myydään EU:n jäsen maissa. Takuutodistus on voimassa vain, jos siihen on liitetty verotuskuitti tai todistus tavarantoimituksesta. Takuu ei kata väärinkäytöstä, vaurioittamisesta tai huolimattomuudesta johtuvia haittoja. Lisäksi yritys kieltäytyy ottamasta vastuuta kaikista välittömistä tai välillisistä vaurioista.

(CS) ZÁRUKA

Výrobce ručí za správnou činnost strojů a zavazuje se provést bezplatnou výměnu dílů opotřebovaných z důvodu špatné kvality materiálu a následkem konstrukčních vad do 12 měsíců od data uvedení stroje do provozu, uvedeného na záručním listě. Vrácené stroje a to i v záruční době musí být odeslány se ZPLACENÝM POŠTOVNÝM a budou vráceny na NÁKLADY PŘÍJEMCE. Na základě dohody tvoří výjimku stroje spadající do spotřebního majetku ve smyslu směrnice 1999/44/ES pouze za předpokladu, že byly prodány v členských státech EU. Záruční list má platnost pouze v případě, že je předložen spolu s účtenkou nebo dodacím listem. Poruchy vyplývající z nesprávného použití, úmyslného poškození nebo chybějící péče nespádají do záruky. Odpovědnost se dále nevztahuje na všechny přímé a nepřímé škody.

(SK) ZÁRUKA

Výrobca ručí za správnu činnosť strojov a zaväzuje sa vykonať bezplatnú výmenu dielov opotrebovaných z dôvodu zlej kvality materiálu a následkom konštrukčných vad do 12 mesiacov od dátumu uvedenia stroja do prevádzky, uvedeného na záručnom liste. Vrátene stroje a to i v podmienkach záručnej doby musia byť odoslané so ZPLACENÝM POŠTOVNÝM a budú vrátené na NÁKLADY PŘÍJEMCU. Na základe dohody výnimku tvoria stroje spadajúce do spotrebného majetku, v zmysle smernice 1999/44/ES, len za predpokladu, že boli predané v členských štátoch EÚ. Záručný list je platný len v prípade, keď je predložený spolu s účtenkou alebo dodacím listom. Poruchy vyplývajúce z nesprávneho použitia, neoprávneného zásahu alebo nedostatočnej starostlivosti nespádajú do záruky. Zodpovednosť sa ďalej nevzťahuje na všetky priame i nepriame škody.

(SL) GARANCIJA

Proizvajalec zagotavlja pravilno delovanje strojev in se zavezuje, da bo brezplačno zamenjal dele, ki se bodo obrabili zaradi slabe kakovosti materiala in zaradi napak pri proizvodnji v roku 12 mesecev od dneva nakupa označenega ne tem certifikatu. Izjema so le aparati, ki so del potrošnih dobrin v skladu z evropsko direktivo 1999/44/EC, le če so bili prodani v državi članici EU. Garancijsko potrdilo je veljavno le, če je priložen veljaven račun. Napake, ki izhajajo iz nepravilne uporabe, posegov ali malomarnosti, garancija ne pokriva. Poleg tega proizvajalec zavrača odgovornost za vse posredne in neposredne poškodbe. Ne delujoč aparat mora pooblaščen servis popraviti v roku 45 dni, v nasprotnem primeru se kupcu izroči nov aparat. Proizvajalec zagotavlja dobavo rezervnih delov še 5 let od nakupa izdelka. Na podlagi zakona o spremembah in dopolnitvah Zakona o varstvu potrošnikov (ZVPot-E) (Ur.l.RS št. 78/2011) podjetje Telwin s.p.a., kot organizator servisne mreže izrecno izjavlja: da velja garancija za izdelek na teritorialnem območju države v kateri je izdelek prodan končnim potrošnikom; opozarja potrošnike, da garancija in uveljavljanje zahtevkov iz naslova garancije ne izključuje pravic potrošnika, ki izhajajo iz naslova odgovornosti prodajalca za napake na blagu. ORGANIZATOR SERVISNE SLUŽBE ZA SLOVENIJO: Itehnika d.o.o., Vanganelška cesta 26a, 6000 Koper, tel: 05/625-02-08

(HR-SR) GARANCIJA

Proizvođač garantira ispravan rad strojeva i obvezuje se izvršiti besplatno zamjenu dijelova koji su oštećeni zbog loše kvalitete materijala i zbog tvorničkih grešaka, u roku od 12 mjeseci od dana pokretanja stroja, koji je potvrđen na garantnom listu. Vraćeni strojevi, i ako su pod garancijom, moraju biti poslani bez plaćanja troškova prijevoza. Iznimka su strojevi koji se vraćaju kao potrošni materijal, u skladu sa Europskom odredbom 1999/44/EC, samo ako su prodani zemljama članicama EU-a. Garantni list vrijedi samo ako je popraćen računom ili dostavnim listom. Oštećenja nastala uslijed neispravne upotrebe, izmjena izvršenih na stroju ili nemara nisu pokriveni garancijom. Proizvođač se ujedno odriče bilo kakve odgovornosti za sve izravne i neizravne štete.

(LT) GARANTIJA

Gamintojas garantuoja nepriekaištingą įrenginio veikimą ir įsipareigoja nemokamai pakeisti gaminio dalis, susidėvėjusias ar susigadinusias dėl prastos medžiagos kokybės ar dėl konstrukcijos defektų 12 mėnesių laikotarpyje nuo įrenginio paleidimo datos, kuri turi būti paliudyta pažymėjimu. Gražinami įrenginiai, net ir galiojant garantijai, turi būti siunčiami ir bus sugrąžinti atgal PIRKĖJO lėšomis. Išimtį aukščiau aprašyti sąlygai sudaro prietaisai, kurie pagal 1999/44/EC Europos direktyvą gali būti laikomi plataus vartojimo prekėmis bei yra parduodami tik ES šalyse. Garantinis pažymėjimas galioja tik tuo atveju, jei yra lydimas fiskalinio čekio arba pristatymo dokumento. Į garantiją nėra įtraukti nesklandumai, susiję su netinkamu prietaiso naudojimu, aplaidumu ar prasta jo priežiūra. Gamintojas taip pat atsiriboja nuo atsakomybės už bet kokius tiesioginius ar netiesioginius nuostolius.

(ET) GARANTI

Tootjafirma vastutab masinate hea funktsioneerimise eest ja kohustub asendama tasuta osad, mis riknevad halva kvaliteediga materjali ja konstruktsioonidefektide tõttu, 12 kuu jooksul alates masina käikupanemise sertifikaadil tõestatud kuupäevast. Tagasi saadetavad masinad, ka kehtiva garantiiga, tuleb saata TASUTUD POSTIMAKSUGA ja nende tagastamine SAATEKULUD ON KAUBASAAJA TASUDA. Nagu kehtestatud, teevad erandi masinad, mis kuuluvad euroopa normatiivi 1999/44/EC kohaselt tarkauba kategooriasse ja ainult siis, kui müüdüd ÜE liikmesriikides. Garantisertifikaat kehtib ainult koos ostu- või kättetoimetamiskviitungiga. Garantii ei hõlma riknemisi, mis on põhjustatud seadme väärast käsitlemisest, modifitseerimisest või hoolimatust kasutamisest. Peale selle ei vastuta firma kõigi otseste või kaudsete kahjude eest.

(LV) GARANTĪJA

Ražotājs garantē mašīnu labu darbību un apņemas bez maksas nomainīt detaļas, kuras nodilst materiāla sliktas kvalitātes dēļ vai ražošanas defektu dēļ 12 mēnešu laikā kopš sertifikātā norādītā mašīnas ekspluatācijas sākuma datuma. Atpakaļ nosūtāmas mašīnas, pat to garantijas laikā, ir jānosūta saskaņā ar FRANKO-OSTA noteikumiem un ražotājs tās atgriezīs uz NORĀDĪTO OSTU. Minētie nosacījumi neattiecas uz mašīnām, kuras saskaņā ar Eiropas direktīvu 1999/44/EC tiek uzskatītas par patēriņa precī, bet tikai gadījumā, ja tās tiek pārdotas ES dalībvalstīs. Garantijas sertifikāts ir spēkā tikai kopā ar kases čeku vai pavadzīmi. Garantija neattiecas uz gadījumiem, kad bojājumi ir radušies nepareizās izmantošanas, noteikumu neievērošanas vai nolaidības dēļ. Turklāt, šajā gadījumā ražotājs neņem vērš jebkādu atbildību par tiešajiem un netiešajiem zaudējumiem.

(BG) ГАРАНЦИЯ

Фирмата производител гарантира за доброто функциониране на машините и се задължава да извърши безплатно подмяната на части, които са се повредили, заради некачествен материал или производствени дефекти, до 12 месеца от датата на пускане в действие на машината, доказана с гаранционна карта. Върнатите машини, дори и в гаранция, трябва да бъдат изпратени със ЗАПЛАТЕН ПРЕВОЗ и ще бъдат върнати с НАЛОЖЕН ПЛАТЕЖ. С изключение на машините, които се считат за движимо имущество за постоянно ползване, както е установено от европейската директива 1999/44/EC, само ако машините са продавани в страни членки на Европейския съюз. Гаранционната карта е валидна, само ако е придружена от фискален бон или разписка за доставка. Непредвидените, произтичащи от лоша употреба или небрежност, са изключени от гаранцията. Освен това се отклонява всякаква отговорност за директни или индиректни щети.

(PL) GWARANCJA

Producent gwarantuje prawidłowe funkcjonowanie urządzeń i zobowiązuje się do bezpłatnej wymiany części, które zepsują się w wyniku złej jakości materiału lub wad fabrycznych w ciągu 12 miesięcy od daty uruchomienia urządzenia, poświadczonej na gwarancji. Urządzenia przesłane do Producenta, również w okresie gwarancji, należy wysłać na warunkach PORTO FRANKO, po naprawie zostaną one zwrócone na koszt odbiorcy. Zgodnie z ustaleniami wyjątkiem są te urządzenia, które są odsyłane jako dobra konsumpcyjne, zgodnie z dyrektywą europejską 1999/44/WE, wyłącznie, jeżeli zostały sprzedane w krajach członkowskich UE. Karta gwarancyjna jest ważna wyłącznie, jeżeli towarzyszy jej kwit fiskalny lub dowód dostawy. Trudności wynikające z nieprawidłowego użytkowania, naruszenia lub niedbałości o urządzenia nie są objęte gwarancją. Producent nie ponosi odpowiedzialności za wszelkie szkody pośrednie i bezpośrednie.

(AR) الضمان

تضمن الشركة المُصنعة جودة الماكينات، كما أنها تتعهد باستبدال قطع مجاًاً في حالة تلفها بسبب سوء جودة المادة وعيوب التصنيع وذلك في خلال 12 شهر من تاريخ تشغيل الماكينة المثبت في الشهادة. سترسل الماكينات المسترجعة - حتى وإن كانت في الضمان على حساب المُرسِل ويتم استرجاعهم على حساب المستلم. وذلك باستثناء - كما هو مقرر - الماكينات التي تُعتبر سلع استهلاكية وفقاً للتوجيه الأوروبي رقم 44 لعام 1999 - الاتحاد الأوروبي "CE/44/1999"، والتي يتم بيعها فقط في الدول الأعضاء في الاتحاد الأوروبي. تسري شهادة الضمان فقط إذا كان معها إيصال أو مذكرة تسليم. لا يشمل الضمان المشاكل التي تنتج عن سوء الاستخدام أو العبث أو الإهمال. كما أنها لا تتحمل أي مسؤولية عن جميع الأضرار المباشرة وغير المباشرة.

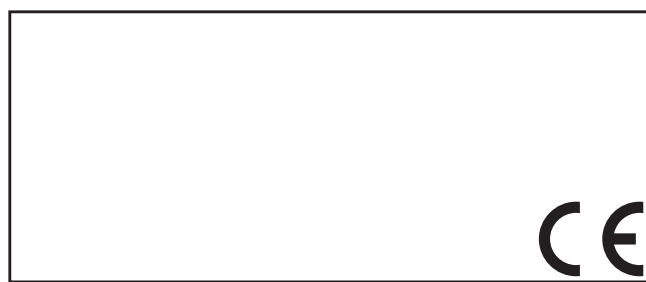
(EN) CERTIFICATE OF GUARANTEE	(NL) GARANTIEBEWIJS	(SK) ZÁRUČNÝ LIST
(IT) CERTIFICATO DI GARANZIA	(HU) GARANCIALEVÉL	(SL) CERTIFICAT GARANCIJE
(FR) CERTIFICAT DE GARANTIE	(RO) CERTIFICAT DE GARANȚIE	(HR-SR) GARANTNI LIST
(ES) CERTIFICADO DE GARANTIA	(SV) GARANTISEDEL	(LT) GARANTINIS PAŽYMĖJIMAS
(DE) GARANTIEKARTE	(DA) GARANTIBEVIS	(ET) GARANTIISERTIFIKAAT
(RU) ГАРАНТИЙНЫЙ СЕРТИФИКАТ	(NO) GARANTIBEVIS	(LV) GARANTIJAS SERTIFIKĀTS
(PT) CERTIFICADO DE GARANTIA	(FI) TAKUUTODISTUS	(BG) ГАРАНЦИОННА КАРТА
(EL) ΠΙΣΤΟΠΟΙΗΤΙΚΟ ΕΓΓΥΗΣΗΣ	(CS) ZÁRUČNÍ LIST	(PL) CERTYFIKAT GWARANCJI
		(AR) شهادة الضمان

MOD. / MONT / МОД./ ÜRLAP / MUDEL / МОДЕЛ / Št / Br.

(EN) Date of buying - (IT) Data di acquisto - (FR) Date d'achat - (ES) Fecha de compra - (DE) Kaufdatum - (RU) Дата продажи - (PT) Data de compra - (EL) Ημερομηνία αγοράς - (NL) Datum van aankoop - (HU) Vásárlás kelte - (RO) Data achiziției - (SV) Inköpsdatum - (DA) Købsdato - (NO) Innkjøpsdato - (FI) Ostopäivämäärä - (CS) Datum zakoupení - (SK) Dátum zakúpenia - (SL) Datum nakupa - (HR-SR) Datum kupnje - (LT) Pirkimo data - (ET) Ostu kuupäev - (LV) Pirkšanas datums - (BG) ДАТА НА ПОКУПКАТА - (PL) Data zakupu - (AR) تاريخ الشراء

NR. / ARIQM / È. / Č. / HOMEP:

(EN) Sales company (Name and Signature)	(NO) Forhandler (Stempel og underskrift)
(IT) Ditta rivenditrice (Timbro e Firma)	(FI) Jälleenmyyjä (Leima ja Allekirjoitus)
(FR) Revendeur (Chachet et Signature)	(CS) Prodejce (Razítko a podpis)
(ES) Vendedor (Nombre y sello)	(SK) Predajca (Pečiatka a podpis)
(DE) Händler (Stempel und Unterschrift)	(SL) Prodajno podjetje (Žig in podpis)
(RU) ШТАМП и ПОДПИСЬ (ТОРГОВОГО ПРЕДПРИЯТИЯ)	(HR-SR) Tvrtka prodavatelj (Pečat i potpis)
(PT) Revendedor (Carimbo e Assinatura)	(LT) Pardavėjas (Antspaudas ir Parašas)
(EL) Κατάστημα πώλησης (Σφραγίδα και υπογραφή)	(ET) Edasimüügi firma (Tempel ja allkiri)
(NL) Verkoper (Stempel en naam)	(LV) Izplātītājs (Zīmogs un paraksts)
(HU) Eladás helye (Pecset és Aláírás)	(BG) ПРОДАВАЧ (Подпис и Печат)
(RO) Reprezentant comercial (Ștampila și semnătura)	(PL) Firma odsprzedająca (Pieczęć i Podpis)
(SV) Återförsäljare (Stämpel och Underskrift)	(AR) شركة المبيعات (ختم وتوقيع)
(DA) Forhandler (stempel og underskrift)	



(EN) The product is in compliance with:	(HU) A termék megfelel a következőknek:	(HR-SR) Proizvod je u skladu sa:
(IT) Il prodotto è conforme a:	(RO) Produsul este conform cu:	(LT) Produktas atitinka:
(FR) Le produit est conforme aux:	(SV) Att produkten är i överensstämmelse med:	(ET) Toode on kooskõlas:
(ES) Het produkt overeenkomstig de:	(DA) At produktet er i overensstemmelse med:	(LV) Izstrādājums atbilst:
(DE) Diemaschine entspricht:	(NO) At produktet er i overensstemmelse med:	(BG) Продуктът отговаря на:
(RU) Заявляется, что изделие соответствует:	(FI) Että laite mallia on yhdenmukainen direktiivissä:	(PL) Produkt spełnia wymagania następujących Dyrektyw:
(PT) El producto es conforme as:	(CS) Výrobek je v súlade so:	(AR) المنتج متوافق مع:
(EL) Το προϊόν είναι κατασκευασμένο σύμφωνα με τη:	(SK) Výrobek je v shodě se:	
(NL) O produto è conforme as:	(SL) Proizvod je v skladu z:	

(EN) DIRECTIVES - (IT) DIRETTIVE - (FR) DIRECTIVES - (ES) DIRECTIVAS - (DE) RICHTLINIEN - (RU) ДИРЕКТИВЫ - (PT) DIRECTIVAS - (EL) ΠΡΟΔΙΑΓΡΑΦΕΣ - (NL) RICHTLIJNEN - (HU) IRÁNYELVEK - (RO) DIRECTIVE - (SV) DIREKTIV - (DA) DIREKTIVER - (NO) DIREKTIVER - (FI) DIREKTIIVIT - (CS) SMĚRNICE - (SK) SMERNICE - (SL) DIREKTIVE - (HR-SR) DIREKTIVE - (LT) DIREKTYVOS - (ET) DIREKTIIVID - (LV) DIREKTĪVAS - (BG) ДИРЕКТИВИ - (PL) DYREKTYWY - (AR) توجيه

LVD 2014/35/EU + Amdt.

EMC 2014/30/EU + Amdt.

RoHS 2011/65/EU + Amdt.