

X14 connector

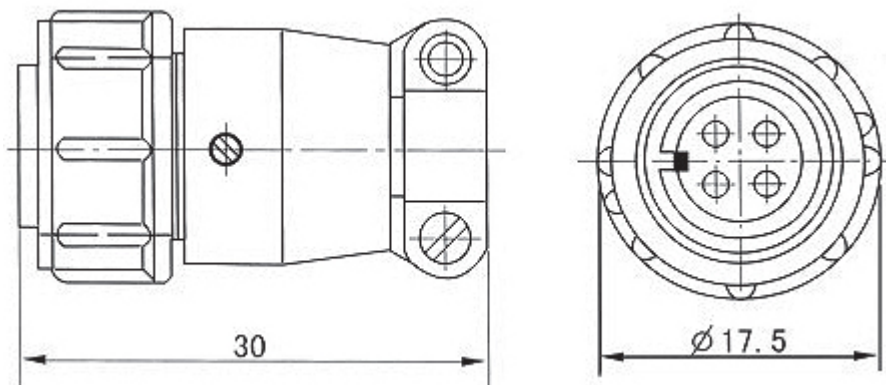


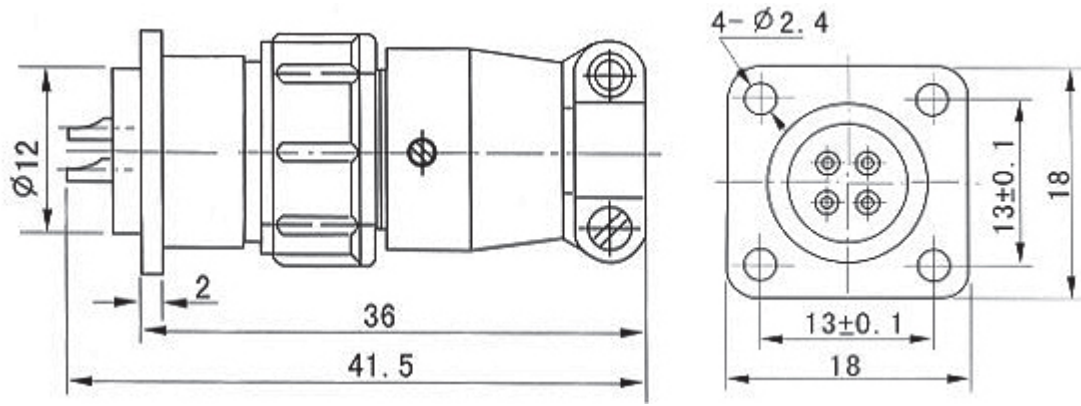
X type of small circular plug seat is suitable for the connection of electric and wireless equipments and cabbies. If the diameter, amount and distributing location of contact apirs are the same, it could be used to replace the CX type and 2CX type (plug seat). This type of product accords with the electronic industry standard called SJ1743-81.

(1) Service environmental condition

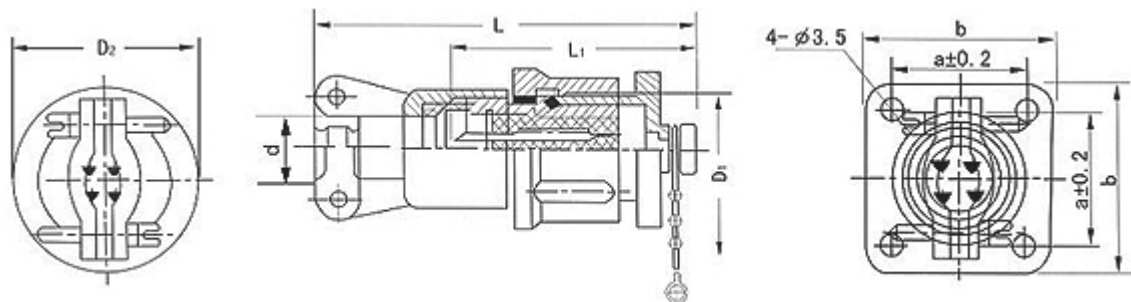
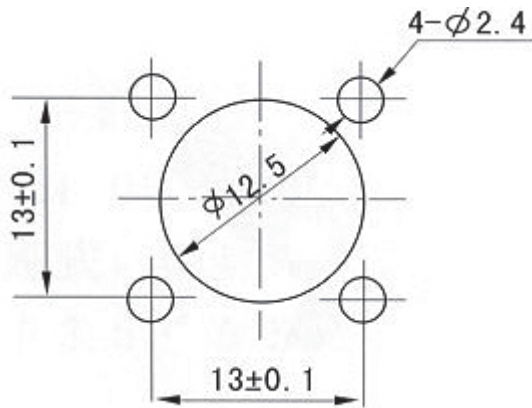
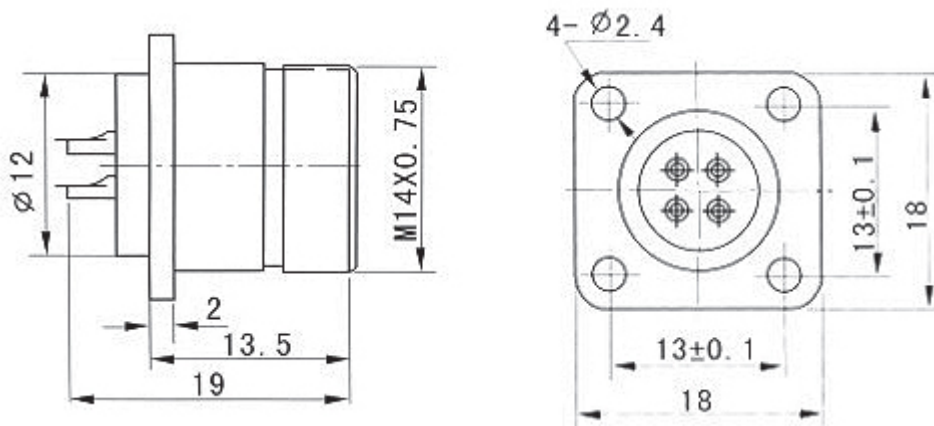
- Ambient temperature: $-55^{\circ}\text{C} \sim +100^{\circ}\text{C}$
- Atmospheric pressure: Reach 1Kpa
- Collision: Acceleration 500 m/s^2
- Relative humidity: Temperature is 40 centigrade, reach 90%~95%
- Vibration: Frequency 10~200HZ, acceleration 150 m/s^2
- Mechanical life-span: 500 times

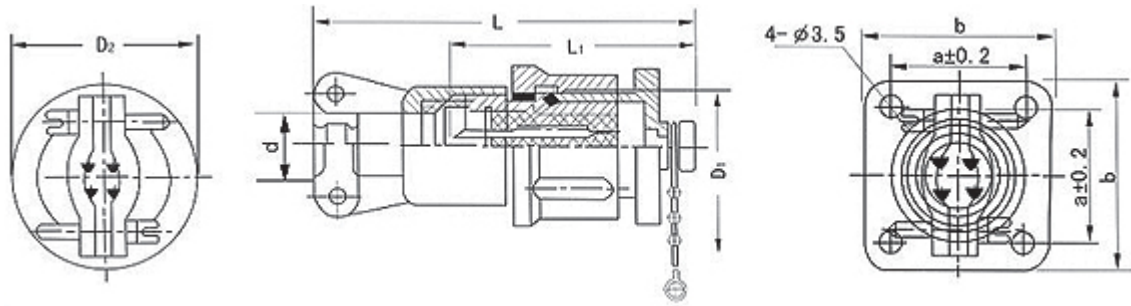
Plug X12^{k_j} 4P





ReceptacleX12^k ; 4A





(2) Main technical parameters

Diameter of contact (mm)	Working current (A)	Contact resistance(Ω)	Voltage(400HZ)V	
			Contact centre distance(mm)	
			» 3.5	» 2.8
1	5	0.025	500V	400V
1.5	10	0.0025	500V	400V
2	20	0.0015	500V	400V
3	30	0.0075	500V	400V

Attentions: according to connectors of the contact amount, the rated current of each contact are following:

- The amount of contact:1-20,the rated current is100%
- The amount of contact:21-32,the rated current is80%
- The amount of contact:33-55,the rated current is70%

(3) Experimental voltage(50HZ)

Contact centre distance(mm)	Under the nomal condition(V)	Mosture test (V)
» 3.5	1500	1000
2.8	1200	800

Type	Fixing dimansion (mm)				Shape dimension (mm)		
	D1	d	D2	L	a	b	L1
X14	M16×1	8.5	21	40	17	24	23
X22	M24×1	14	29	48	23	30	23
X24	M27×15	18	33	48	26	33	23
X30	M33×15	24	35	52	31	38	23

Type	Number of contact	Diameter of contact (mm)	Working current (A)
X12	3、4、5	φ1	5
X14	3、4、5、7	φ1	5
X22	4、10	φ3、φ2、φ1	20-5

X24	12、19、20、26	φ1.5、φ1	10-5
X30	32、42、55	φ1	5

(4) Denotation approach and demonstration

Number	Classification character	Classification content	Sign
1	Type of circuit connector	Small circular threaded coupling connector	X
2	Concerted diameter of socket and panel	12、14、24、30	Sign No.
3	Sort of contacts	Pin	J
		Jack	K
4	Number of contacts	2、3、4、5、7、10、12、19、26、32、42、55	Sign No.
5	Plug and receptacle sort	Right plug	不标
		Left plug	U
		Short plug	D
		Non airproof	A
		Airproof	M
6	Crust structure form of plug of Cable receptacle	Airproof pulling on the wall	C
		Straight	P
		Syphon	R
7	Plated-layer of contacts act pieces	Silver	No sign
		Gold	J