

# AD (B/s 600mm) Sliding hanged door lock TSD AD (B/s 600mm), TSD series

Text P.42

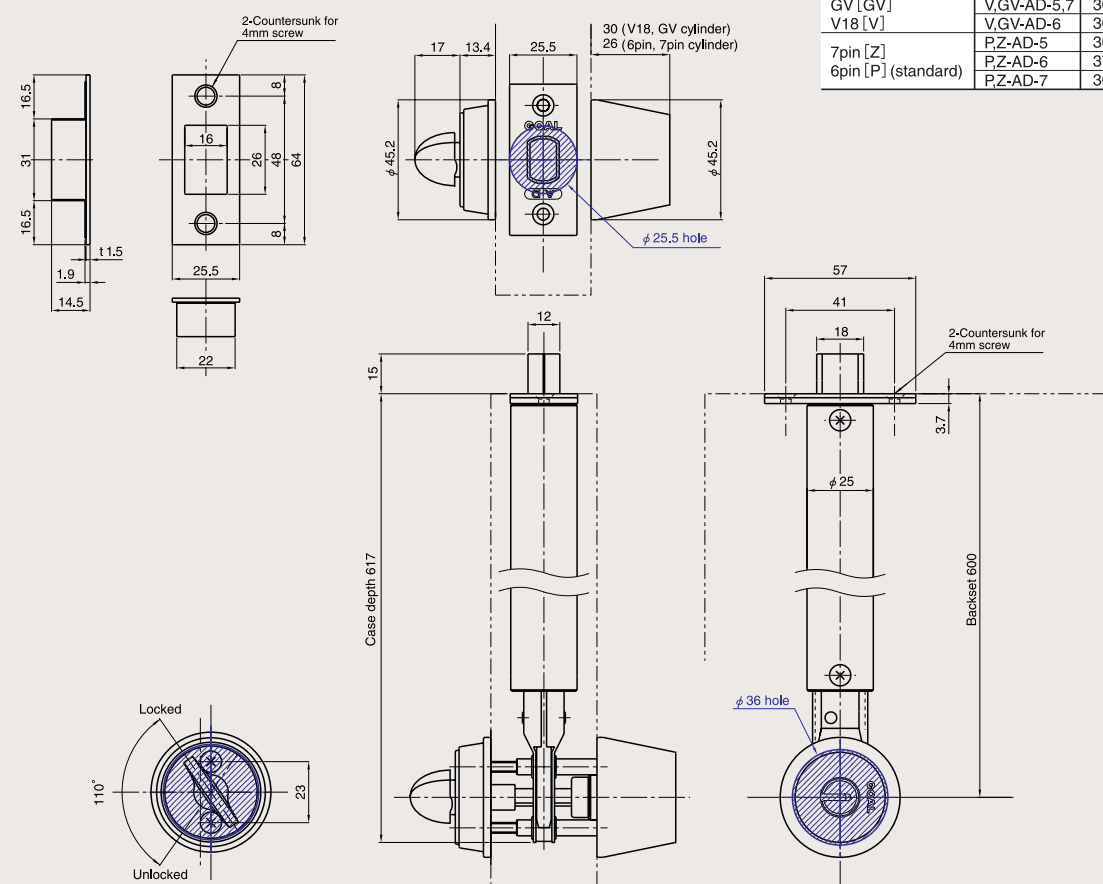
Series	Cylinder [symbol]	Function No.	Backset	D.T (Door thickness)
AD	6pin [P] (standard) 7pin [Z]	3, 5, 6, 7	600mm	Refer under table in the dimensions.
TSD	V18 [V] GV [GV]	3, 45, 45L, 5, 6, 7	29mm	Refer under table in the dimensions.

## Dimensions (unit : mm)

### ● V (GV, P, Z)-AD-5 (B/s 600mm) <shown AD-5 with V18 cyl.>

### ● AD (B/s 600mm) Door thickness

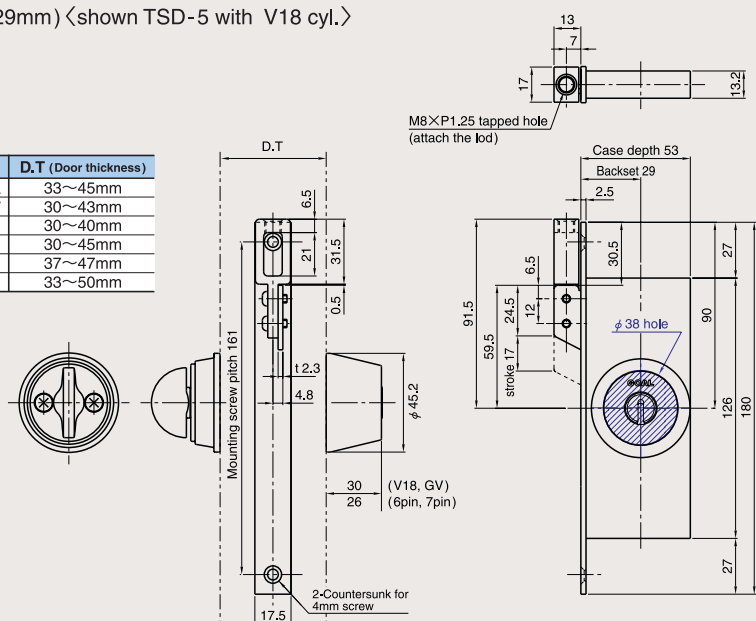
Cylinder [symbol]	Function No.	D.T (Door thickness)
(emer-cyl.)	AD-3	30~45mm
	AD-45	33~45mm
GV [GV]	V.GV-AD-5,7	30~43·43~53mm
V18 [V]	V.GV-AD-6	30~40·40~50mm
7pin [Z]	P.Z-AD-5	30~45·45~55mm
6pin [P] (standard)	P.Z-AD-6	37~47·47~57mm
	P.Z-AD-7	30~55mm



### ● V (GV, P, Z)-TSD-5 (B/s 29mm) <shown TSD-5 with V18 cyl.>

### ● TSD Door thickness

Cylinder [symbol]	Function No.	D.T (Door thickness)
	TSD-3,45,45L	33~45mm
GV [GV]	V.GV-TSD-5,7	30~43mm
V18 [V]	V.GV-TSD-6	30~40mm
7pin [Z]	P.Z-TSD-5	30~45mm
6pin [P] (standard)	P.Z-TSD-6	37~47mm
	P.Z-TSD-7	33~50mm



# AHC ASC Cup handle lock with AHC, ASC series

Text P.43

Series	Cylinder [symbol]	Function No.	Backset	D.T (Door thickness)
AHC	6pin [P] (standard) 7pin [Z] V18 [V]	1, 3, 5, 6, 7	76, 100mm	35~43·43~50·50~53mm
ASC	GV [GV]		64, 76mm	31~33·33~38·38~43·43~48·48~53mm

## Dimensions (unit : mm)

### ● (Mortise lock) V-AHC-5 (B/s 76,100mm) <shown AHC-5 with V18 cyl.>

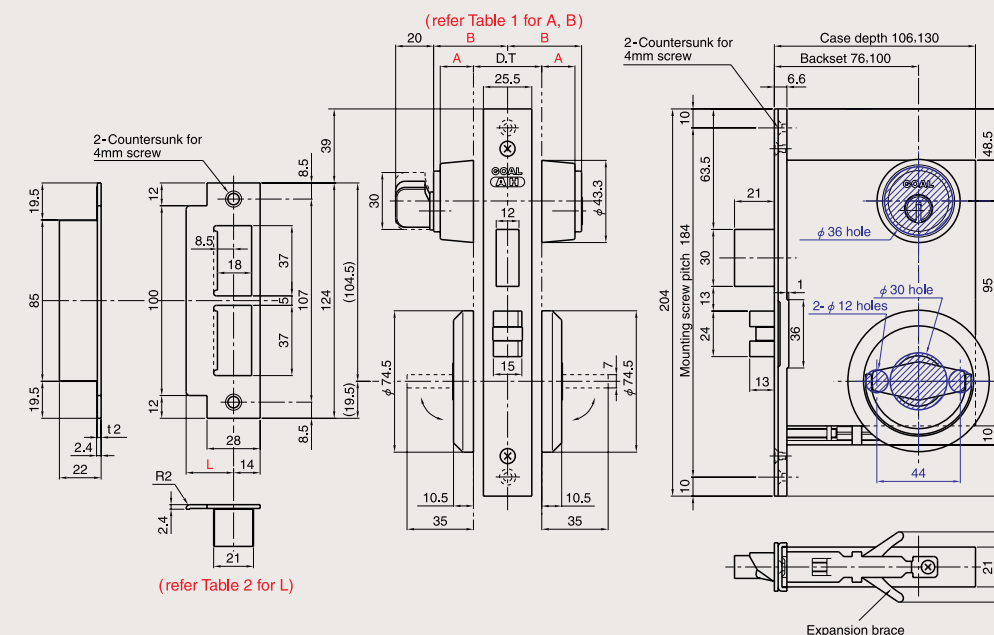


Table 1. A, B dimensions

D.T (mm)	A (mm)	B (mm)
35~50	17.5	39
50~63	17.5	46
63~73	22.5	56
73~83	17.5	56

Table 2. L dimensions

D.T (mm)	Single leaf door		Double leaves door	
	Strike	L (mm)	Strike	L (mm)
35~43	25 L	25	35~37	18 L
43~53	30 L	30	37~42	20 L
			43~47	23 L
			47~51	25 L
			53	28 L

### ● (Mortise lock) V-ASC-5 (B/s 64,76mm) <shown ASC-5 with V18 cyl.>

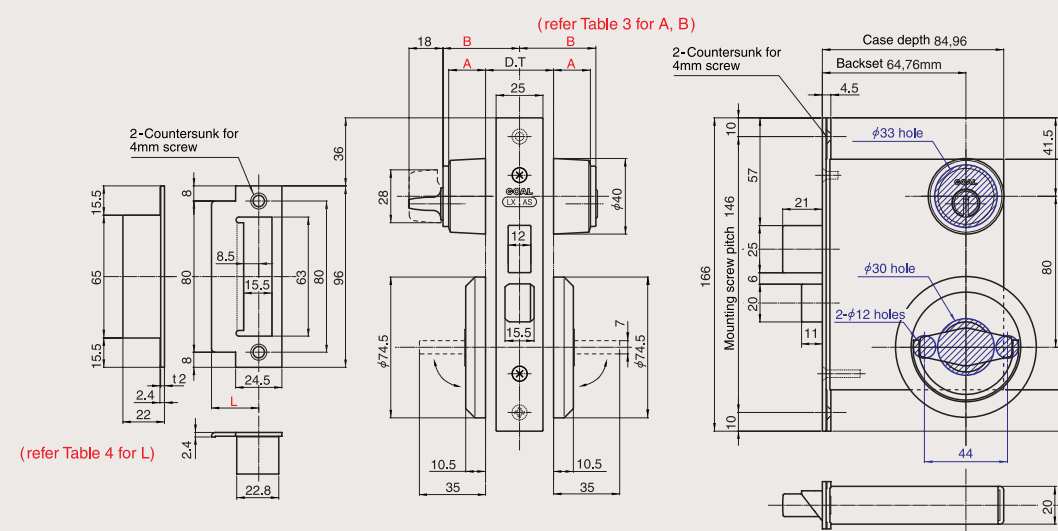


Table 3. A, B dimensions

D.T (mm)	A (mm)	B (mm)
29~43	19.5	38.5
43~53	14.5	38.5
53~63	19.5	48.5
63~73	14.5	48.5
73~83	19.5	58.5

Table 4. L dimensions

D.T (mm)	Single leaf door		Double leaves door	
	Strike	L (mm)	Strike	L (mm)
29~33	20 L	20	29~33	16 L (d)
33~43	25 L	25	33~37	18 L (d)
43~53	30 L	30	37~42	20 L (d)
			43~47	23 L (d)
			47~51	25 L (d)
			53~57	28 L (d)
			57~61	30 L (d)

## Information

Pin cylinder, Keying system, Function No. To order, etc.

## Locks

Push-pull handle lock  
Handle designs  
PXK, PX, PZK, PZ, PLK, PL, PVKU, PY, PYS

Lever handle lock  
Handle designs  
AHL, AHL, LGK, LG, LX, LH, HL, LY, LW

Mortise lock  
Knob designs  
AH, AHP, AS, HS

Integral lock  
UC, G

Cylindrical lock  
UH, US

Dead lock  
LDK, LD, HD, 1502/1503, AHD, AD, GK, GG, HN, ANT

Rim dead lock  
MH, MD, MDU  
Cremon bolt  
CMM

Glass door lock  
2510, HDT, CG, AG, BGU

Sliding door lock  
SX, PSS, SAK, SN, TSD, AD(B/S600)

Cup handle lock  
AHC, ASC, HSTC, UCC, GC

Emergency lock  
AHLH, AHH, HSTH, HDH, AHDH

## Electric lock & Security system

RF key  
Remo. con. key  
Ten key pad  
KRS, KRC, BTKLX, TKS

Hotel card lock  
JCLM, JCL

Electric lock  
PXE, PZE, EZS, EXS, EXM, EU, ES, EL, EM, EV, SXE, CMT, CMR, ME

Electric conductor, Control box, Key switch, etc.  
RCL, RCB, RSP, KS, ACT

## Dimensions

## Information

Pin cylinder, Keying system, Function No. To order, etc.

## Locks

Push-pull handle lock  
Handle designs  
PXK, PX, PZK, PZ, PLK, PL, PVKU, PY, PYS

Lever handle lock  
Handle designs  
AHL, AHL, LGK, LG, LX, LH, HL, LY, LW

Mortise lock  
Knob designs  
AH, AHP, AS, HS

Integral lock  
UC, G

Cylindrical lock  
UH, US

Dead lock  
LDK, LD, HD, 1502/1503, AHD, AD, GK, GG, HN, ANT

Rim dead lock  
MH, MD, MDU  
Cremon bolt  
CMM

Glass door lock  
2510, HDT, CG, AG, BGU

Sliding door lock  
SX, PSS, SAK, SN, TSD, AD(B/S600)

Cup handle lock  
AHC, ASC, HSTC, UCC, GC

Emergency lock  
AHLH, AHH, HSTH, HDH, AHDH

## Electric lock & Security system

RF key  
Remo. con. key  
Ten key pad  
KRS, KRC, BTKLX, TKS

Hotel card lock  
JCLM, JCL

Electric lock  
PXE, PZE, EZS, EXS, EXM, EU, ES, EL, EM, EV, SXE, CMT, CMR, ME

Electric conductor, Control box, Key switch, etc.  
RCL, RCB, RSP, KS, ACT

## Dimensions