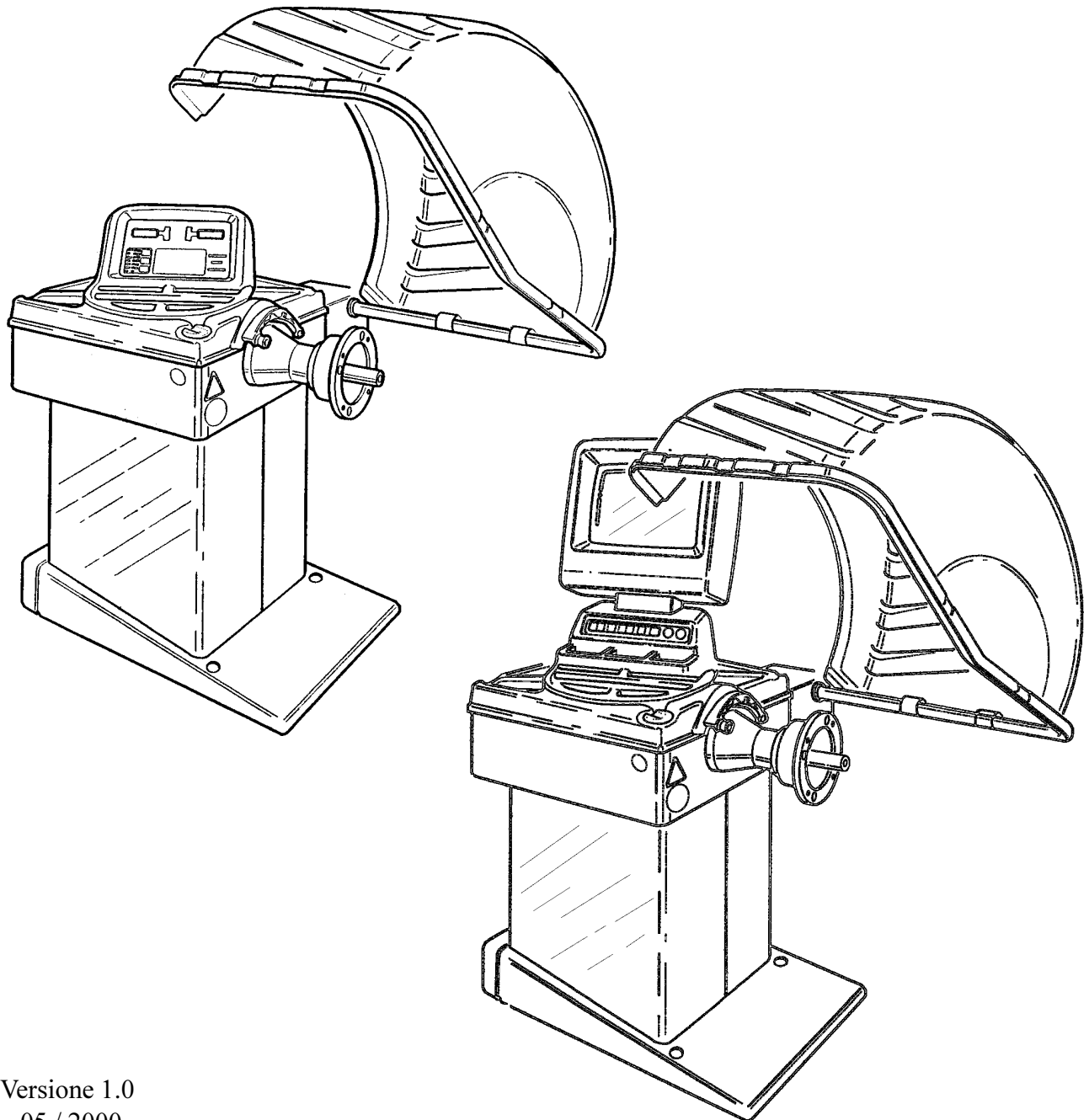


# TECO 74 - TECO 84

*Pezzi di ricambio - Spare parts list  
Ersatzteilliste - Pieces de rechange*



Versione 1.0  
05 / 2000

Questo libretto non autorizza l'utente ad intervenire sulle macchine ad esclusione di quanto esplicitamente descritto nel Manuale d'uso, ma consente all'utente di fornire informazioni precise all'Assistenza tecnica, al fine di ridurre i tempi di intervento.

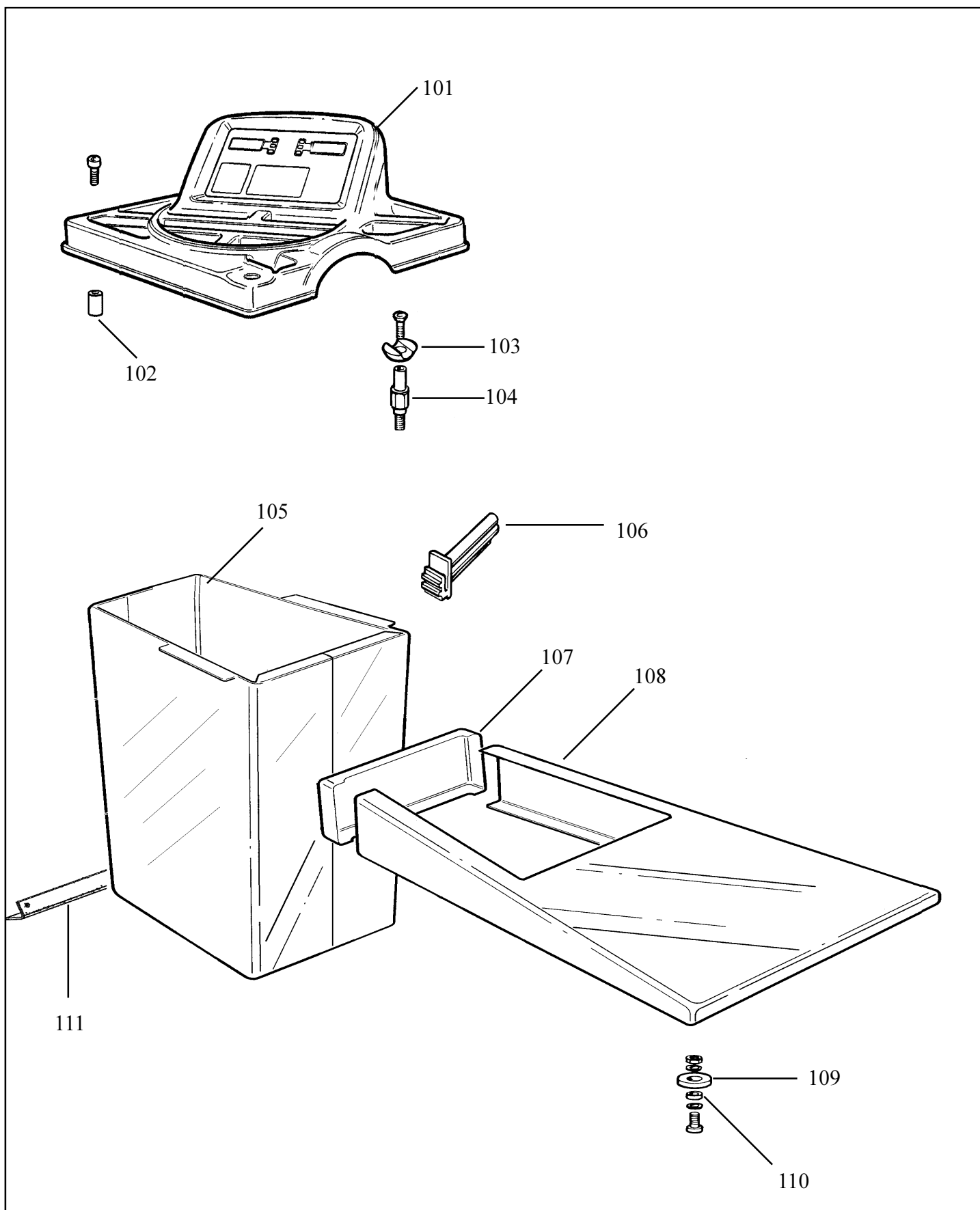
The "Spare parts" booklet does not authorize the user to carry out work on the machine unless expressly specified in the instruction manual, but does enable him to provide accurate information to the assistance service in order to reduce downtime.

Pubbl. cod 168313500 rev. 00



Automotive Equipment

Tav. <b>1</b>	Cassone Chassis	<b>TECO74</b>
------------------	--------------------	---------------

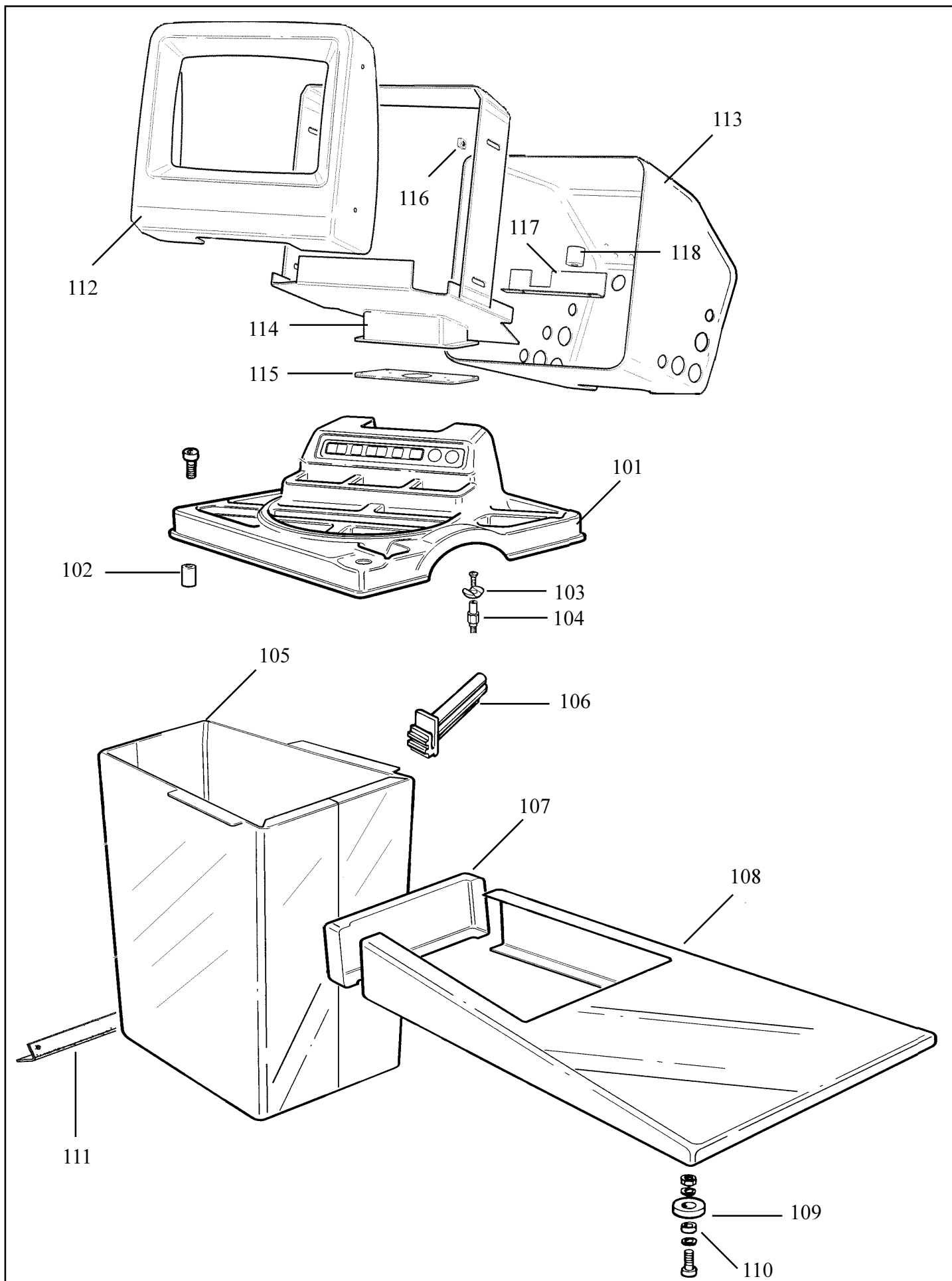


**TAVOLA 1**

Automotive Equipment

POS.	CODE	I	GB	D	F
101	002203100	COPERCHIO PORT.	LID	DECKEL	COUVERCLE
102	002701900	DISTANZIALE	SPACER	ABSTANDSSTUECK	ENTRETOISE
103	047701100	INCUDINE	ANVIL	AMBOSS	ENCLUME
104	048805300	SUPPORTO	SUPPORT	LAGER	SUPPORT
105	128808950	SUPPORTO	SUPPORT	LAGER	SUPPORT
106	048804700	PORTAFLANGE	FLANGE HOLDER	LAGER	SUPPORT
107	001603100	CARTER POSTER.	LID	DECKEL	COUVERCLE
108	126900660	PIEDE	FOOT	FUSS	PIED
109	046900600	PIEDE IN GOMMA	FOOT	FUSS	PIED
110	042702000	DISTANZIALE	SPACER	ABSTANDSSTUECK	ENTRETOISE
111	126900700	PIEDE REGOL.	FOOT	FUSS	PIED

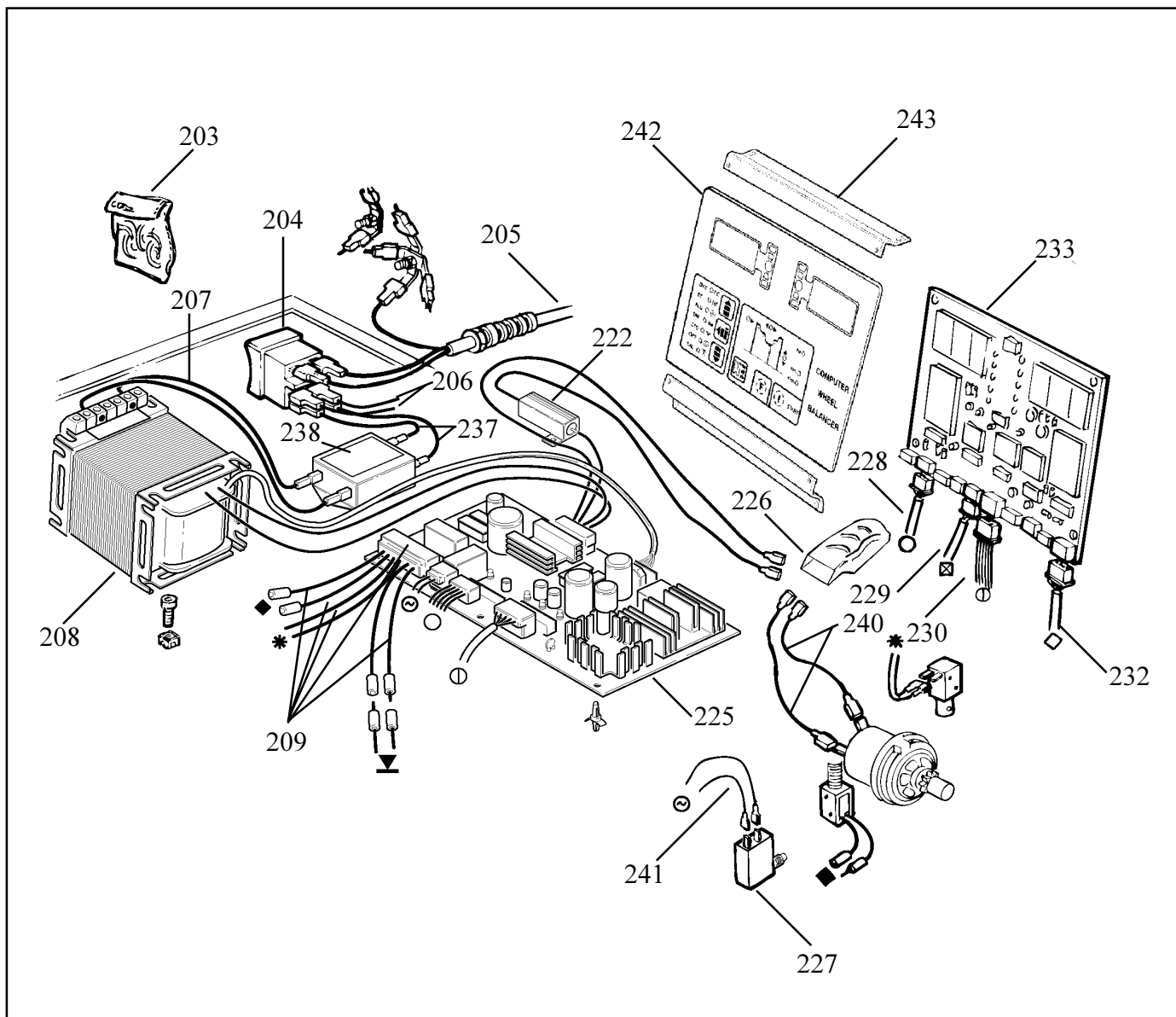
Tav. <b>2</b>	Cassone Chassis	<b>TECO 84</b>
------------------	--------------------	----------------



# TAVOLA 2

POS.	CODE	I	GB	D	F
101	002203200	COPERCHIO PORT.	LID	DECKEL	COUVERCLE
102	002701900	DISTANZIALE	SPACER	ABSTANDSSTUECK	ENTRETOISE
103	047701100	INCUDINE	ANVIL	AMBOSS	ENCLUME
104	048805300	SUPPORTO	SUPPORT	LAGER	SUPPORT
105	128808950	SUPPORTO	SUPPORT	LAGER	SUPPORT
106	048804700	PORTAFLANGE	FLANGE HOLDER	LAGER	SUPPORT
107	001603100	CARTER POSTER.	LID	DECKEL	COUVERCLE
108	126900660	PIEDE	FOOT	FUSS	PIED
109	046900600	PIEDE IN GOMMA	FOOT	FUSS	PIED
110	042702000	DISTANZIALE	SPACER	ABSTANDSSTUECK	ENTRETOISE
111	126900700	PIEDE REGOL.	FOOT	FUSS	PIED
112	007202800	FRONTALE MON.	FRONT PANEL	STIRNBAND	FRONTAL
113	007202950	PROTEZ. POSTER.	MONITOR GUARD	HAUBE	COFFRE
114	128806362	SUPPORTO MONIT.	MONITOR SUPP.	LAGER	SUPPORT
115	004805800	LAMIERA RINFORZ.	PLATE	BLECH	TOLE
116	042602400	DADO IN GABBIA	NUT		
117	008601062	STAFFA	BRACKET	BLECH	TOLE
118	008900600	DISTANZIALE	SPACER	ABSTANDSSTUECK	ENTRETOISE

<p>Tav. <b>3</b></p>	<p><b>Impianto elettrico</b> Electric system</p>	<p><b>TECO 74</b></p>
--------------------------	--	-----------------------

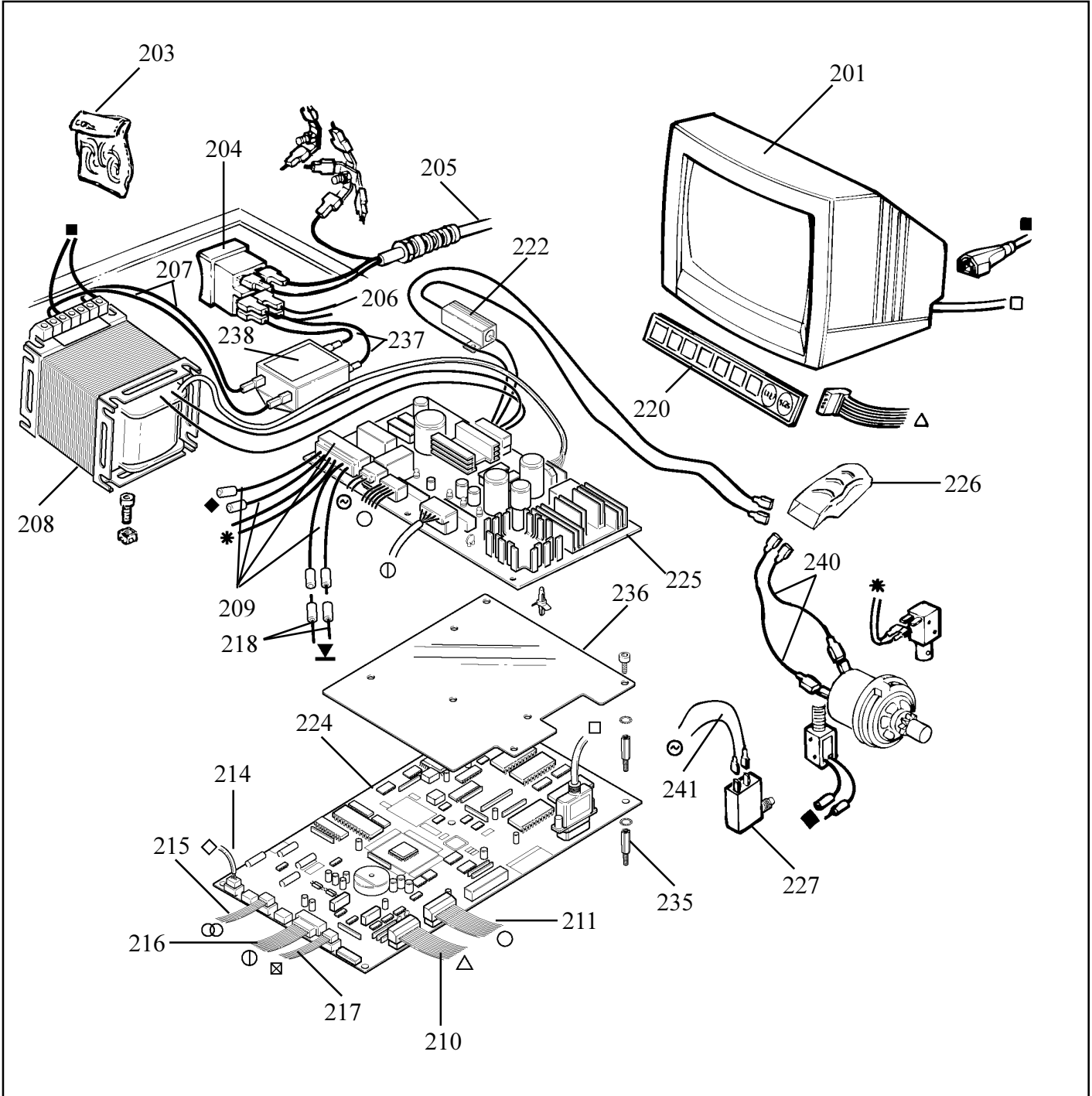


**TAVOLA 3**

Automotive Equipment

POS.	CODE	I	GB	D	F
203	105510200	SACCHETTO 3.15A	BAG 3.15A	BEUTEL 3.15A	SACHET 3.15A
203	105510300	SACCHETTO 0.5A	BAG 0.5A	BEUTEL 0.5A	SACHET 0.5A
203	105510400	SACCHETTO 3.15A T	BAG 3.15A T	BEUTEL 3.15A T	SACHET 3.15A T
203	105518500	SACCHETTO T20A	BAG T20A	BEUTEL T20A	SACHET T20A
204	045511600	INTERRUTTORE	SWITCH	SCHALTER	INTERRUPTEUR
205	105507900	CAVO	CABLE	KABEL	CABLE
206	105516200	CAVO 220V	CABLE 220V	KABEL 220V	CABLE 220V
206	105516600	CAVO 110V	CABLE 110V	KABEL 110V	CABLE 110V
207	105516700	CAVO	CABLE	KABEL	CABLE
208	105511100	TRASFORMATORE	TRANSFORM.	TRANSFOR.	TRANSFOR.
209	105516800	CAVO	CABLE	KABEL	CABLE
222	105517000	RESIST.50W-0.68Ω	RESISTANCE	WIDERSTAND	RESISTANCE
225	105517100	SCHEDA POTENZA	POWER BOARD	ELEKTR. PLATINE	FICHE ELECTR.
226	105517200	FILTRO RC	RC FILTER	FILTER RC	FILTRE RC
227	105517300	MICROINTER.	MICROSW.	MIKROSCHALTER	MICROINTER.
228	105517400	CAVO FLAT	FLAT CABLE	FLACHER KABEL	CABLE FLAT
229	105517500	CAVO FLAT	FLAT CABLE	FLACHER KABEL	CABLE FLAT
230	105511000	CAVO	CABLE	KABEL	CABLE
231	105517600	CAVO FLAT	FLAT CABLE	FLACHER KABEL	CABLE FLAT
232	105512000	CAVO	CABLE	KABEL	CABLE
233	105517700	SCHEDA PRINCIPALE	P.C. BOARD	ELEKTR. PLATINE	FICHE ELECTR.
237	105518600	CAVO	CABLE	KABEL	CABLE
238	105518700	FILTRO	FILTER	FILTER	FILTRE
242	008600800	STAFFA	BRACKET	KLAVE	ETRIER
243	126301000	TARGHETTA VISORE	PANEL PLATE	TYPENSCHILD	PLAQUETTE

Tav. <b>4</b>	Impianto elettrico Electric system	<b>TECO 84</b>
------------------	---------------------------------------	----------------





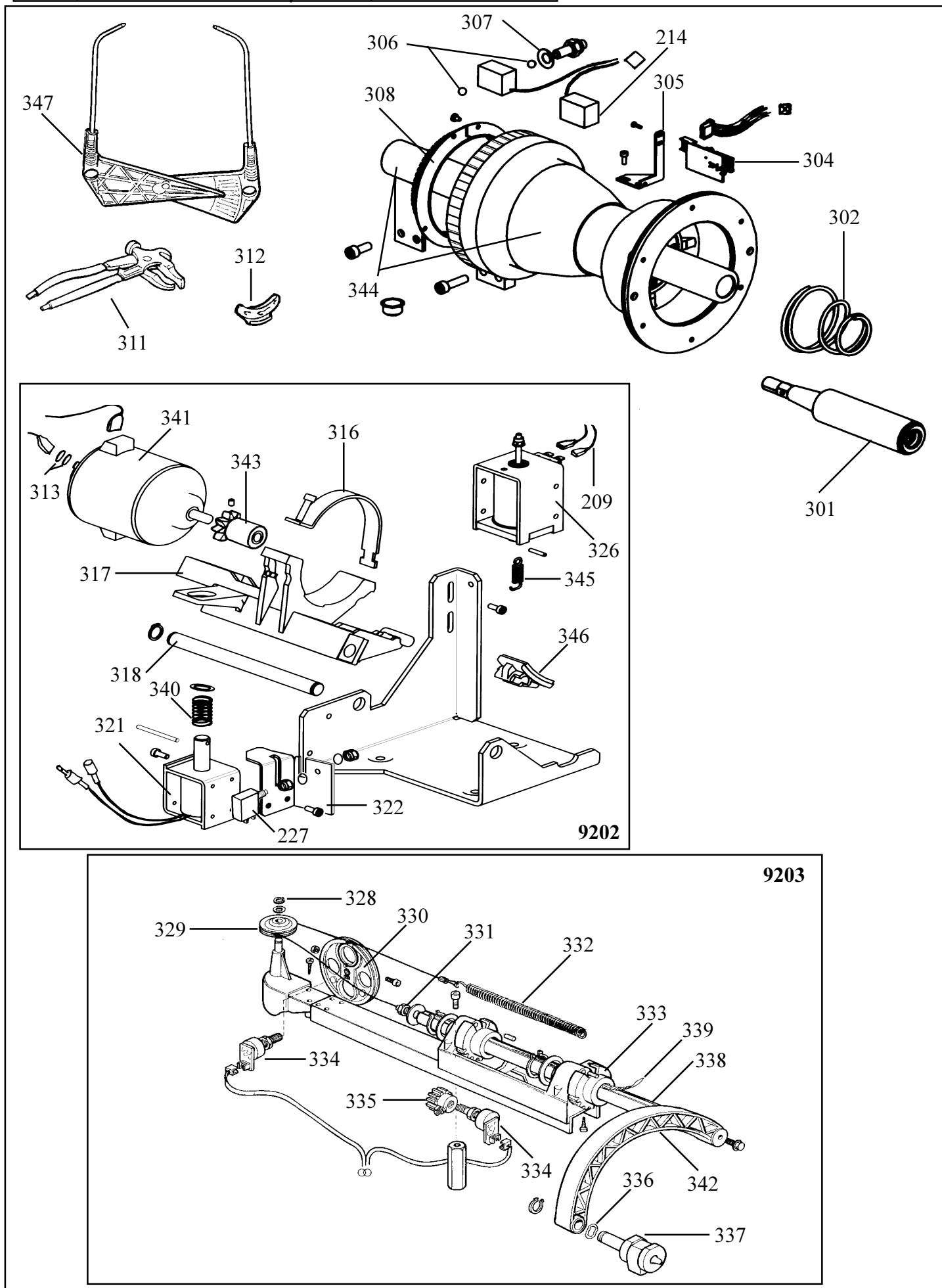
# TAVOLA 4



Automotive Equipment

POS.	CODE	I	GB	D	F
201	045000200	MONITOR	MONITOR	MONITOR	MONITEUR
203	105510400	SACCHETTO 3.15A T	BAG 3.15A T	BEUTEL 3.15A T	SACHET 3.15A T
203	105510200	SACCHETTO 3.15A	BAG 3.15A	BEUTEL 3.15A	SACHET 3.15A
203	105510300	SACCHETTO 0.5A	BAG 0.5A	BEUTEL 0.5A	SACHET 0.5A
203	105518500	SACCHETTO T20A	BAG T20A	BEUTEL T20A	SACHET T20A
204	045511600	INTERRUTTORE	SWITCH	SCHALTER	INTERRUPTEUR
205	105507900	CAVO	CABLE	KABEL	CABLE
206	105516200	CAVO 230V	CABLE 230V	KABEL 230V	CABLE 230V
206	105516600	CAVO 100-115V	CABLE 100-115V	KABEL 100-115V	CABLE 100-115V
207	105516700	CAVO	CABLE	KABEL	CABLE
208	105511100	TRASFORMAT. 230V	TRANSF. 230V	TRANSF. 230V	TRANSF. 230V
209	105516800	CAVO	CABLE	KABEL	CABLE
210	105518100	CAVO FLAT	FLAT CABLE	FLACHER KABEL	CABLE FLAT
211	105518200	CAVO FLAT	FLAT CABLE	FLACHER KABEL	CABLE FLAT
214	105509500	PICK-UP	PICK-UP	PICK-UP	PICK-UP
215	105518300	CAVO FLAT	FLAT CABLE	FLACHER KABEL	CABLE FLAT
216	105518400	CAVO	CABLE	KABEL	CABLE
217	105508200	CAVO	CABLE	KABEL	CABLE
218	045514300	CAVO	CABLE	KABEL	CABLE
220	126300900	TASTIERA	KEYBOARD	TASTATUR	CLAVIER
222	105517000	RESIST. 50W-0.68Ω	RESISTANCE	WIDERSTAND	RESISTANCE
224	045521200	SCHEDA PRINCIP.	P.C.BOARD	ELEKTR.PLATINE	FICHE ELECTR.
225	105517100	SCHEDA POTENZA	POWER BOARD	ELEKTR.PLATINE	FICHE ELECTR.
226	105517200	FILTRO RC	RC FILTER	FILTER RC	FILTRE RC
227	105517300	MICROINTERRUTT.	MICROSWITCH	MIKROSCHALTER	MICROINTERRUP.
235	042703700	COLONNETTA	STUD	SCHRAUBENBOLZ.	COLONNETTE
236	900355723	PROTEZIONE	SHIELD	ABDECKUNG	PROTECTION
237	105518600	CAVO	CABLE	KABEL	CABLE
238	105518700	FILTRO	FILTER	FILTER	FILTRE
240	105516900	CAVO	CABLE	KABEL	CABLE

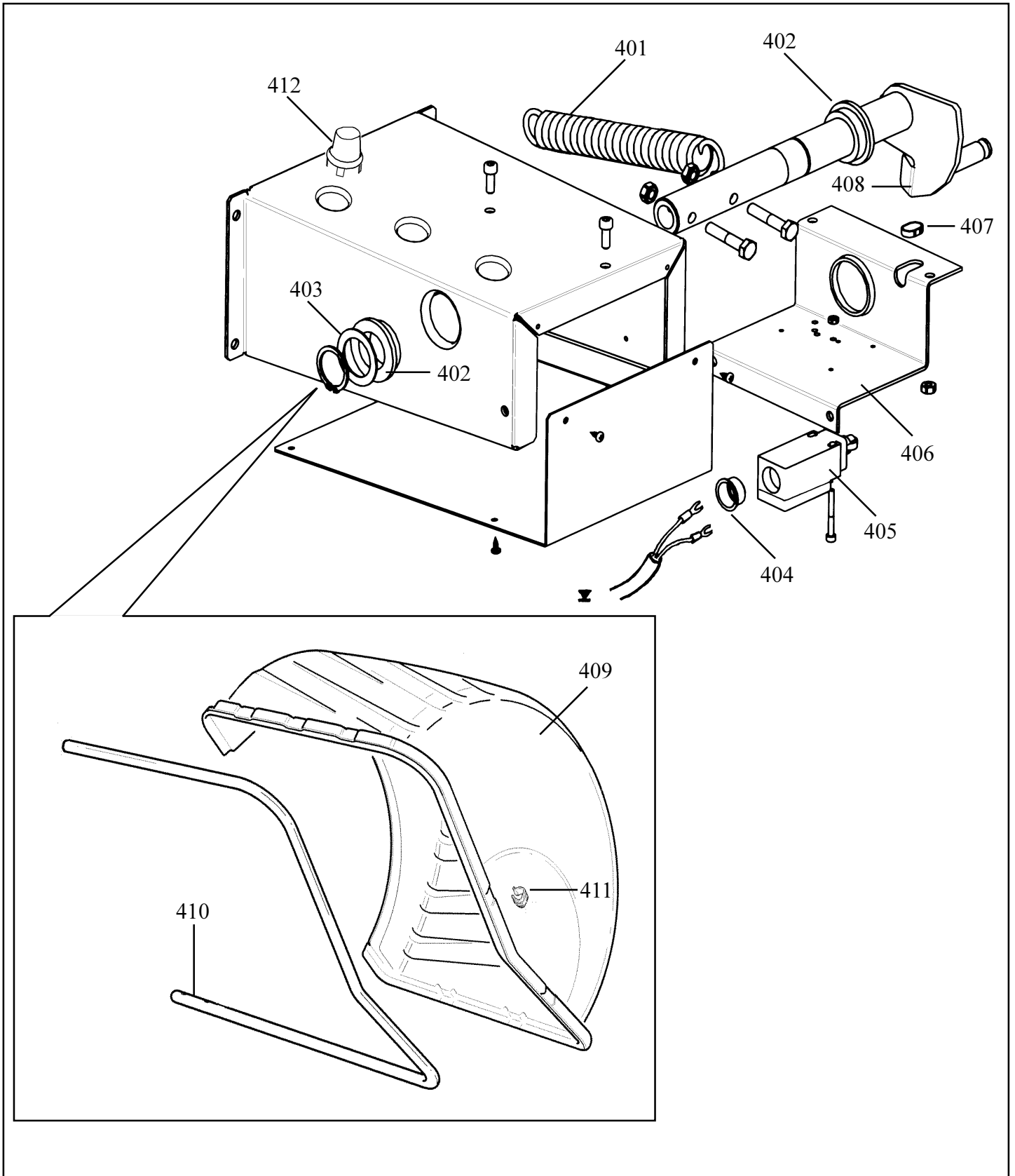
Tav. <b>5</b>	Gruppo oscillante completo Shaft assembly	TECO 74 TECO 84
------------------	--	--------------------



**TAVOLA 5**

POS.	CODE	I	GB	D	F
214	105509500	PICK-UP	PICK-UP	PICK-UP	PICK-UP
301	040200200	MOZZO	HUB	NABE	MOYEU
302	045602200	MOLLA	SPRING	FEDER	RESSORT
303	049909800	VITE	SCREW	SCHRAUBE	VIS
304	105509600	SCHEDA ELETTR.	ELECTR.BOARD	ELEKTR. PLATINE	FICHE ELECTRON.
305	048809000	SUPPORTO	SUPPORT	LAGER	SUPPORT
306	047900300	SFERA	BALL	KUGEL	BILLE
307	045604200	MOLLA	SPRING	FEDER	RESSORT
308	040301600	DISCO	DISK	SCHEIBE	DISQUE
311	049700400	PINZA	PLIERS	ZANGE	PINCE
312	040004300	PESO	WEIGHT	GEWICHT	POIDS
<b>9203</b>	<b>109355700</b>	<b>DISP. DI LANCIO</b>	<b>SPINNING ASS.</b>	<b>MASCHINENWELLE</b>	<b>DISPOS. DE LANC.</b>
209	105516800	CAVO	CABLE	KABEL	CABLE
227	105517300	MICROINTER.	MICROSWITCH	MIKROSCHALTER	MICROINTERRUPT.
313	044002400	GUARNIZIONE	SEAL	DICHTUNG	JOINT
316	048809100	SUPPORTO	SUPPORT	LAGER	SUPPORT
317	048809200	SUPPORTO	SUPPORT	LAGER	SUPPORT
318	046505700	PERNO	PIN	ZAPFEN	PIVOT
321	105517800	ELETTROM.	ELECTROM.	ELEKTROMAGNET	ELECTRO-AIMANT
322	048809300	LAMIERA	METAL SHEET	BLECH	TOLE
326	105517900	ELETTROM.	ELECTROM.	ELEKTROMAGNET	ELECTRO-AIMANT
340	045605800	MOLLA	SPRING	FEDER	RESSORT
341	105702900	MOTORE	MOTOR	MOTOR	MOTEUR
343	047901200	PIGNONE	PINION	RITZEL	PIGNON
345	045605900	MOLLA	SPRING	FEDER	RESSORT
346	046704800	PATTINO	PAD	GLEITSTCHUH	PATIN
<b>9202</b>	<b>103955800</b>	<b>GRUP. RILEVAT.</b>	<b>SIGNAL TR. ASS.</b>	<b>AUFNEHMER GRUP.</b>	<b>GROUPE MESUR.</b>
328	040303100	ANELLO	RING	RING	ANNEAU
329	047901500	CARRUCOLA	PULLEY	SEILROLLE	POULIE
330	047901400	PULEGGIA	PULLEY	RIEMENSCHIEBE	POULIE
331	049300700	FUNE	CABLE	SEIL	CABLE
332	045606000	MOLLA	SPRING	FEDER	RESSORT
333	041007100	BOCCOLA	BUSHING	LAGER	DOUILLE
334	105518000	POTENZIOM.	POTENTIOM.	POTENTIOMETER	POTENTIOMETRE
335	047901300	PIGNONE	PINION	RITZEL	PIGNON
336	040303200	ANELLO	RING	RING	ANNEAU
337	047701000	TERMINALE	TERMINAL	ENDVERSCHLUSS	COSSE
338	040602200	ASTA	SHAFT	STANGE	BARRE
339	049103700	TARGHETTA	DATA PLATE	TYPENSCHILD	PLAQUETTE
342	041100800	BRACCIO	ARM	ARM	BRAS
344	103955900	GRUPPO OSCILL.	ASSEMBLY	GRUPPE	GROUPE
347	100004200	CALIBRO	CALIPER	LEHRE	CALIBRE

Tav. <b>6</b>	Supporto + protezione Wheel guard + support	TECO 74 TECO 84
------------------	--	--------------------



**TAVOLA 6**

POS.	CODE	I	GB	D	F
401	045603200	MOLLA	SPRING	FEDER	RESSORT
402	041001800	BOCCOLA	BUSHING	LAGER	DOUILLE
403	047804200	RONDELLA	WASHER	UNTERLEGSSCHEIBE	RONDELLE
404	049001400	TAPPO	PLUG	STOPFEN	BOUCHON
405	045509900	MICROINT.	MICROSW.	MIKROSCHALTER	MICROINTERRUPTEUR
406	048805200	SUPPORTO	SUPPORT	LAGER	SUPPORT
407	049001500	TASSELLO	BLOCK	EINSATZSTUECK	TAMPON
408	043000360	FERMO	RETAINER	ANSCHLAG	ARRET
409	007202300	PROTEZIONE	SHIELD	ABDECKUNG	PROTECTION
410	009406362	TUBO	PIPE	ROHR	TUYAU
411	043600300	MOLLA	SPRING	FEDER	RESSORT
412	048805200	SUPPORTO	SUPPORT	LAGER	SUPPORT



**Automotive Equipment**

TECO s.r.l. Via Pio La Torre 10 - 42015 Correggio (R.E.) - ITALY tel. 0522/631562 - fax 0522/642373  
Home Page : [www.teco.it](http://www.teco.it) - E-mail : [teco@teco.it](mailto:teco@teco.it)