

W25X16, W25X32, W25X64



***spi*flash[®]**

**16M-BIT, 32M-BIT, AND 64M-BIT
SERIAL FLASH MEMORY WITH
4KB SECTORS AND DUAL OUTPUT SPI**



Table of Contents

1.	GENERAL DESCRIPTION	4
2.	FEATURES	4
3.	PIN CONFIGURATION SOIC 208-MIL	5
4.	PIN CONFIGURATION WSON 6X5-MM	5
5.	PIN CONFIGURATION PDIP 300-MIL	6
6.	PIN DESCRIPTION SOIC 208-MIL, PDIP 300-MIL, AND WSON 6X5-MM	6
7.	PIN CONFIGURATION SOIC 300-MIL	7
8.	PIN DESCRIPTION SOIC 300-MIL	7
8.1	Package Types	8
8.2	Chip Select (/CS)	8
8.3	Serial Data Output (DO)	8
8.4	Write Protect (/WP)	8
8.5	HOLD (/HOLD)	8
8.6	Serial Clock (CLK)	8
8.7	Serial Data Input / Output (DIO)	8
9.	BLOCK DIAGRAM	9
10.	FUNCTIONAL DESCRIPTION	10
10.1	SPI OPERATIONS	10
10.1.1	SPI Modes	10
10.1.2	Dual Output SPI	10
10.1.3	Hold Function	10
10.2	WRITE PROTECTION	11
10.2.1	Write Protect Features	11
11.	CONTROL AND STATUS REGISTERS	12
11.1	STATUS REGISTER	12
11.1.1	BUSY	12
11.1.2	Write Enable Latch (WEL)	12
11.1.3	Block Protect Bits (BP2, BP1, BP0)	12
11.1.4	Top/Bottom Block Protect (TB)	12
11.1.5	Reserved Bits	12
11.1.6	Status Register Protect (SRP)	13
11.1.7	Status Register Memory Protection	14
11.2	INSTRUCTIONS	16
11.2.1	Manufacturer and Device Identification	16
11.2.2	Instruction Set	17
11.2.3	Write Enable (06h)	18

W25X16, W25X32, W25X64



11.2.4	Write Disable (04h)	18
11.2.5	Read Status Register (05h)	19
11.2.6	Write Status Register (01h)	20
11.2.7	Read Data (03h)	21
11.2.8	Fast Read (0Bh)	22
11.2.9	Fast Read Dual Output (3Bh)	23
11.2.10	Page Program (02h)	24
11.2.11	Sector Erase (20h)	25
11.2.12	Block Erase (D8h)	26
11.2.13	Chip Erase (C7h)	27
11.2.14	Power-down (B9h)	28
11.2.15	Release Power-down / Device ID (ABh)	29
11.2.16	Read Manufacturer / Device ID (90h)	31
11.2.17	JEDEC ID (9Fh)	32
12.	ELECTRICAL CHARACTERISTICS (PRELIMINARY)	33
12.1	Absolute Maximum Ratings	33
12.2	Operating Ranges	33
12.3	Endurance and Data Retention	34
12.4	Power-up Timing and Write Inhibit Threshold	34
12.5	DC Electrical Characteristics	35
12.6	AC Measurement Conditions	36
12.7	AC Electrical Characteristics	37
12.8	AC Electrical Characteristics (Cont'd)	38
12.9	Serial Output Timing	39
12.10	Input Timing	39
12.11	Hold Timing	39
13.	PACKAGE SPECIFICATION	40
13.1	8-Pin SOIC 208-mil (Package Code SS)	40
13.2	8-Pin PDIP 300-mil (Package Code DA)	41
13.3	8-contact 6x5 WSON	42
13.4	8-contact 6x5 WSON (Cont'd)	43
13.5	16-Pin SOIC 300-mil (Winbond Package Code SF)	44
14.	ORDERING INFORMATION	45
15.	REVISION HISTORY	46

W25X16, W25X32, W25X64



1. GENERAL DESCRIPTION

The W25X16 (16M-bit), W25X32 (32M-bit), and W25X64 (64M-bit) Serial Flash memories provide a storage solution for systems with limited space, pins and power. The 25X series offers flexibility and performance well beyond ordinary Serial Flash devices. They are ideal for code download applications as well as storing voice, text and data. The devices operate on a single 2.7V to 3.6V power supply with current consumption as low as 5mA active and 1 μ A for power-down. All devices are offered in space-saving packages.

The W25X16/32/64 array is organized into 8,192/16,384/32,768 programmable pages of 256-bytes each. Up to 256 bytes can be programmed at a time using the Page Program instruction. Pages can be erased in groups of 16 (sector erase), groups of 256 (block erase) or the entire chip (chip erase). The W25X16/32/64 has 512/1024/2048 erasable sectors and 32/64/128 erasable blocks respectively. The small 4KB sectors allow for greater flexibility in applications that require data and parameter storage. (See figure 2.)

The W25X16/32/64 supports the standard Serial Peripheral Interface (SPI), and a high performance dual output SPI using four pins: Serial Clock, Chip Select, Serial Data I/O and Serial Data Out. SPI clock frequencies of up to 75MHz are supported allowing equivalent clock rates of 150MHz when using the Fast Read Dual Output instruction. These transfer rates are comparable to those of 8 and 16-bit Parallel Flash memories.

A Hold pin, Write Protect pin and programmable write protect, with top or bottom array control features, provide further control flexibility. Additionally, the device supports JEDEC standard manufacturer and device identification.

2. FEATURES

- **Family of Serial Flash Memories**
 - W25X16: 16M-bit / 2M-byte (2,097,152)
 - W25X32: 32M-bit / 4M-byte (4,194,304)
 - W25X64: 64M-bit / 8M-byte (8,388,608)
 - 256-bytes per programmable page
 - Uniform 4K-byte Sectors / 64K-byte Blocks
- **SPI with Single or Dual Outputs**
 - Clock, Chip Select, Data I/O, Data Out
 - Optional Hold function for SPI flexibility
- **Data Transfer up to 150M-bits / second**
 - Clock operation to 75MHz
 - Fast Read Dual Output instruction
 - Auto-increment Read capability
- **Flexible Architecture with 4KB sectors**
 - Sector Erase (4K-bytes)
 - Block Erase (64K-byte)
 - Page program up to 256 bytes <2ms
 - Up to 100,000 erase/write cycles
 - 20-year retention
- **Low Power Consumption, Wide Temperature Range**
 - Single 2.7 to 3.6V supply
 - 5mA active current, 1 μ A Power-down (typ)
 - -40° to +85°C operating range
- **Software and Hardware Write Protection**
 - Write-Protect all or portion of memory
 - Enable/Disable protection with /WP pin
 - Top or bottom array protection
- **Space Efficient Packaging**
 - 8-pin SOIC 208-mil (W25X16, X32)
 - 8-pin PDIP 300-mil (W25X16, X32, X64)
 - 16-pin SOIC 300-mil (W25X16, X32, X64)
 - 8-pad WSON 6x5-mm (W25X16)
 - 8-pad WSON 8x6-mm (W25X32, X64)

W25X16, W25X32, W25X64



3. PIN CONFIGURATION SOIC 208-MIL

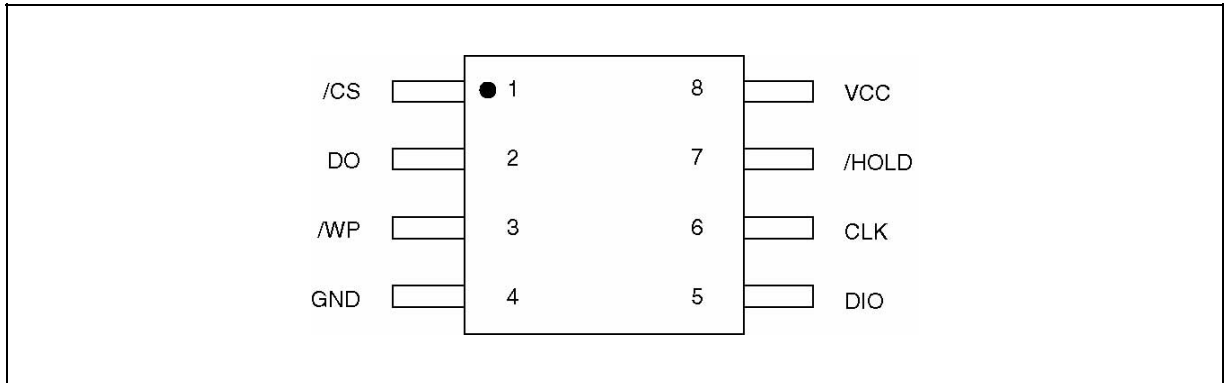


Figure 1a. W25X16 and W25X32 Pin Assignments, 8-pin SOIC (Package Code SS)

4. PIN CONFIGURATION WSON 6X5-MM

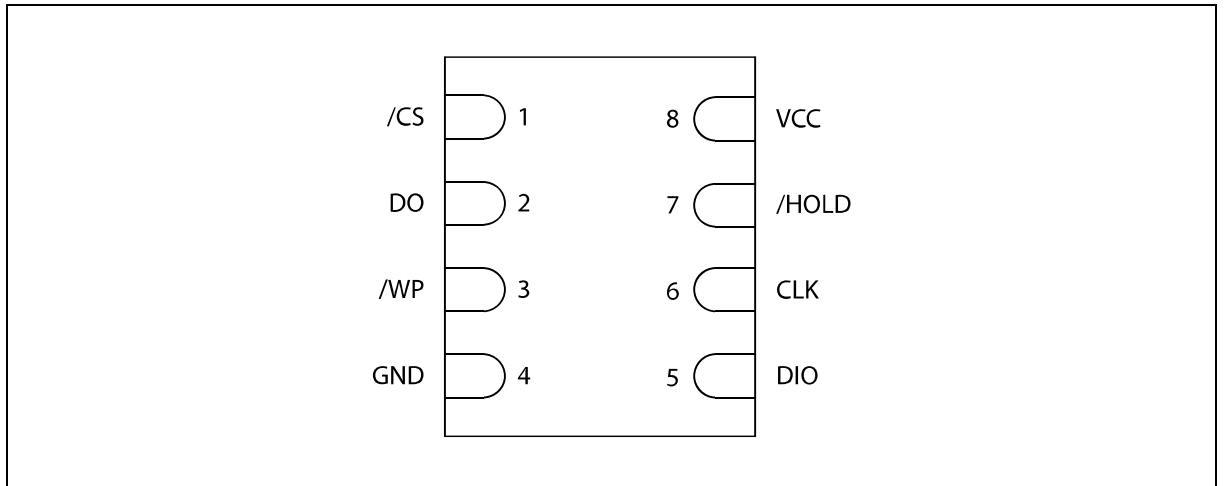


Figure 1b. W25X16 Pin Assignments, 8-pin WSON (Package Code ZP)

W25X16, W25X32, W25X64



5. PIN CONFIGURATION PDIP 300-MIL

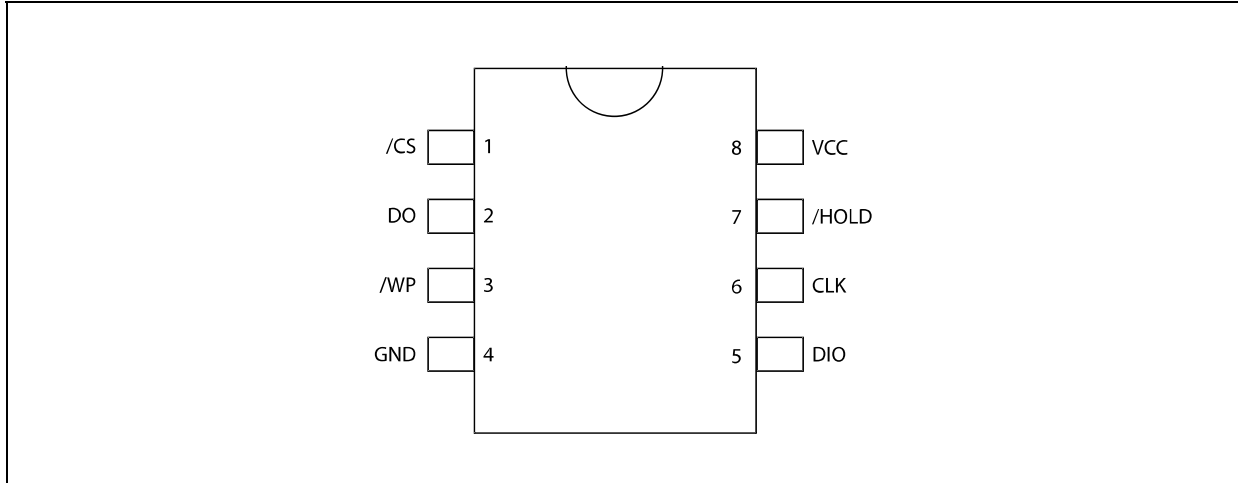


Figure 1c. W25X16, W25X32, W25X64 Pin Assignments, 8-pin PDIP (Package Code DA)

6. PIN DESCRIPTION SOIC 208-MIL, PDIP 300-MIL, AND WSON 6X5-MM

PAD NO.	PAD NAME	I/O	FUNCTION
1	/CS	I	Chip Select Input
2	DO	O	Data Output
3	/WP	I	Write Protect Input
4	GND		Ground
5	DIO	I/O	Data Input / Output
6	CLK	I	Serial Clock Input
7	/HOLD	I	Hold Input
8	VCC		Power Supply

W25X16, W25X32, W25X64



7. PIN CONFIGURATION SOIC 300-MIL

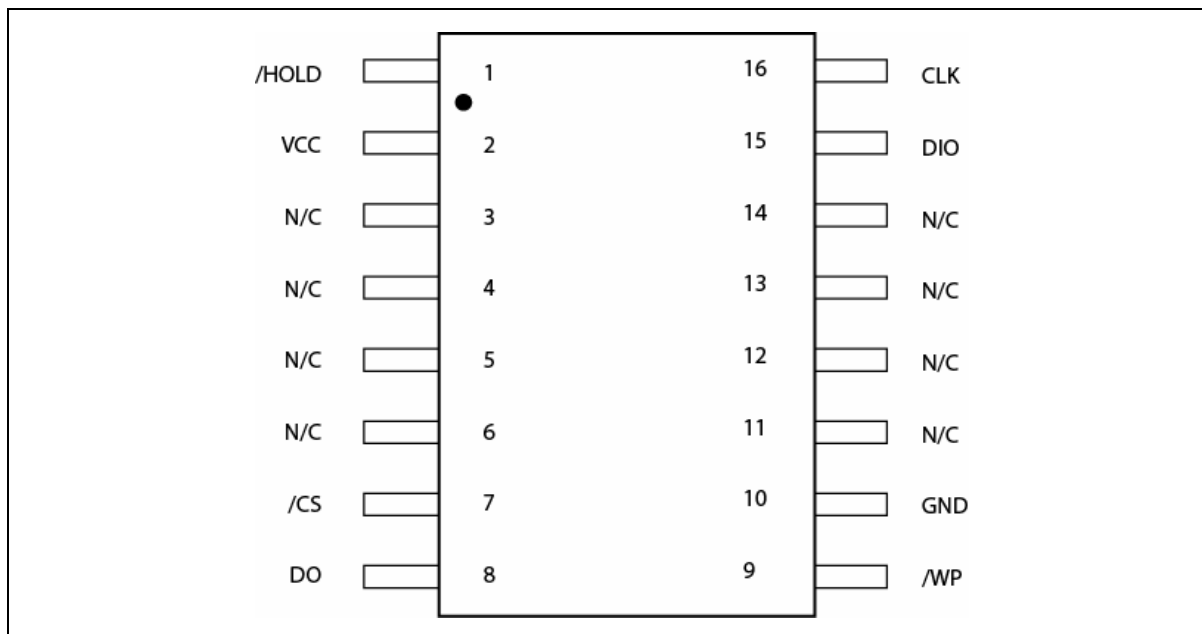


Figure 1d. W25X16, W25X32 and W25X64 Pin Assignments, 16-pin SOIC 300-mil (Package Code SF)

8. PIN DESCRIPTION SOIC 300-MIL

PAD NO.	PAD NAME	I/O	FUNCTION
1	/HOLD	I	Hold Input
2	VCC		Power Supply
3	N/C		No Connect
4	N/C		No Connect
5	N/C		No Connect
6	N/C		No Connect
7	/CS	I	Chip Select Input
8	DO	O	Data Output
9	/WP	I	Write Protect Input
10	GND		Ground
11	N/C		No Connect
12	N/C		No Connect
13	N/C		No Connect
14	N/C		No Connect
15	DIO	I/O	Data Input / Output
16	CLK	I	Serial Clock Input



8.1 Package Types

At the time this datasheet was published not all package types had been finalized. Contact Winbond to confirm availability of these packages before designing to this specification. W25X16 and W25X32 are offered in an 8-pin plastic 208-mil width SOIC (package code SS). The W25X16 in 6x5-mm WSON (package code ZP) and 25X32 and 25X64 in 8x6-mm WSON. (package code ZE). The 25X16, W25X32 and W25X64 are offered in 16-pin plastic 300-mil width SOIC (package code SF) and 300-mil DIP (package code DA). See figures 1a-d. Package diagrams and dimensions are illustrated at the end of this datasheet.

8.2 Chip Select (/CS)

The SPI Chip Select (/CS) pin enables and disables device operation. When /CS is high the device is deselected and the Serial Data Output (DO) pin is at high impedance. When deselected, the devices power consumption will be at standby levels unless an internal erase, program or status register cycle is in progress. When /CS is brought low the device will be selected, power consumption will increase to active levels and instructions can be written to and data read from the device. After power-up, /CS must transition from high to low before a new instruction will be accepted. The /CS input must track the VCC supply level at power-up (see "Write Protection" and figure 20). If needed a pull-up resistor on /CS can be used to accomplish this.

8.3 Serial Data Output (DO)

The SPI Serial Data Output (DO) pin provides a means for data and status to be serially read from (shifted out of) the device. Data is shifted out on the falling edge of the Serial Clock (CLK) input pin.

8.4 Write Protect (/WP)

The Write Protect (/WP) pin can be used to prevent the Status Register from being written. Used in conjunction with the Status Register's Block Protect (BP2, BP1, and BP0) bits and Status Register Protect (SRP) bits, a portion or the entire memory array can be hardware protected. The /WP pin is active low.

8.5 HOLD (/HOLD)

The /HOLD pin allows the device to be paused while it is actively selected. When /HOLD is brought low, while /CS is low, the DO pin will be at high impedance and signals on the DIO and CLK pins will be ignored (don't care). When /HOLD is brought high, device operation can resume. The /HOLD function can be useful when multiple devices are sharing the same SPI signals. ("See Hold function")

8.6 Serial Clock (CLK)

The SPI Serial Clock Input (CLK) pin provides the timing for serial input and output operations. ("See SPI Operations")

8.7 Serial Data Input / Output (DIO)

The SPI Serial Data Input/Output (DIO) pin provides a means for instructions, addresses and data to be serially written to (shifted into) the device. Data is latched on the rising edge of the Serial Clock (CLK) input pin. The DIO pin is also used as an output when the Fast Read Dual Output instruction is executed.

W25X16, W25X32, W25X64



9. BLOCK DIAGRAM

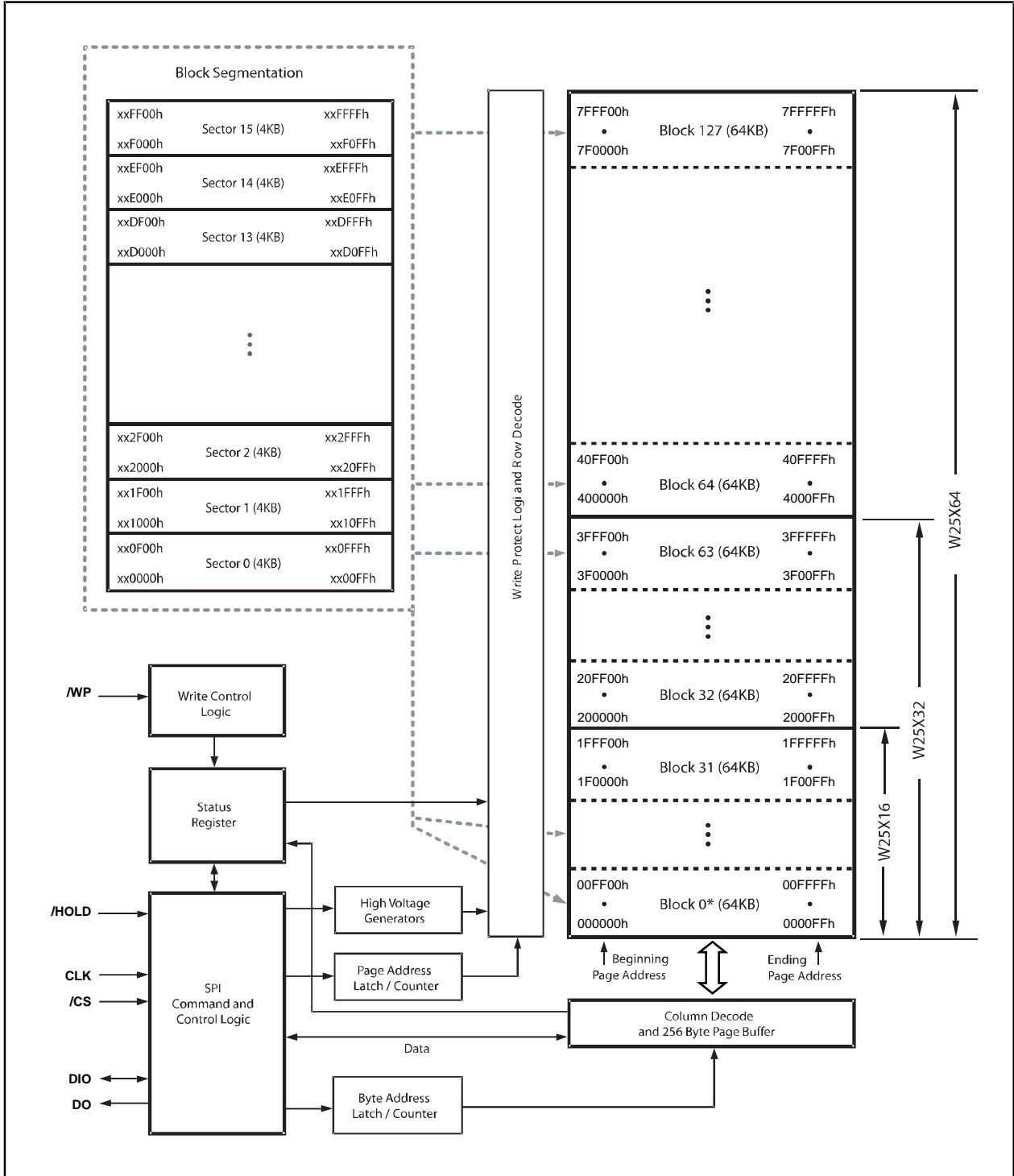


Figure 2. W25X16, W25X32 and W25X64 Block Diagram



10. FUNCTIONAL DESCRIPTION

10.1 SPI OPERATIONS

10.1.1 SPI Modes

The W25X16/32/64 is accessed through an SPI compatible bus consisting of four signals: Serial Clock (CLK), Chip Select (/CS), Serial Data Input/Output (DIO) and Serial Data Output (DO). Both SPI bus operation Modes 0 (0,0) and 3 (1,1) are supported. The primary difference between Mode 0 and Mode 3 concerns the normal state of the CLK signal when the SPI bus master is in standby and data is not being transferred to the Serial Flash. For Mode 0 the CLK signal is normally low. For Mode 3 the CLK signal is normally high. In either case data input on the DIO pin is sampled on the rising edge of the CLK. Data on the DO and DIO pins are clocked out on the falling edge of CLK.

10.1.2 Dual Output SPI

The W25X16/32/64 supports Dual output operation when using the "Fast Read with Dual Output" (3B hex) instruction. This feature allows data to be transferred from the Serial Flash memory at twice the rate possible with the standard SPI. This instruction is ideal for quickly downloading code from Flash to RAM upon power-up (code-shadowing) or for applications that cache code-segments to RAM for execution. The Dual output feature simply allows the SPI input pin to also serve as an output during this instruction. All other operations use the standard SPI interface with single output signal.

10.1.3 Hold Function

The /HOLD signal allows the W25X16/32/64 operation to be paused while it is actively selected (when /CS is low). The /HOLD function may be useful in cases where the SPI data and clock signals are shared with other devices. For example, consider if the page buffer was only partially written when a priority interrupt requires use of the SPI bus. In this case the /HOLD function can save the state of the instruction and the data in the buffer so programming can resume where it left off once the bus is available again.

To initiate a /HOLD condition, the device must be selected with /CS low. A /HOLD condition will activate on the falling edge of the /HOLD signal if the CLK signal is already low. If the CLK is not already low the /HOLD condition will activate after the next falling edge of CLK. The /HOLD condition will terminate on the rising edge of the /HOLD signal if the CLK signal is already low. If the CLK is not already low the /HOLD condition will terminate after the next falling edge of CLK.

During a /HOLD condition, the Serial Data Output (DO) is high impedance, and Serial Data Input/Output (DIO) and Serial Clock (CLK) are ignored. The Chip Select (/CS) signal should be kept active (low) for the full duration of the /HOLD operation to avoid resetting the internal logic state of the device.



10.2 WRITE PROTECTION

Applications that use non-volatile memory must take into consideration the possibility of noise and other adverse system conditions that may compromise data integrity. To address this concern the W25X16/32/64 provides several means to protect data from inadvertent writes.

10.2.1 Write Protect Features

- Device resets when VCC is below threshold.
- Time delay write disable after Power-up.
- Write enable/disable instructions.
- Automatic write disable after program and erase.
- Software write protection using Status Register.
- Hardware write protection using Status Register and /WP pin.
- Write Protection using Power-down instruction.

Upon power-up or at power-down the W25X16/32/64 will maintain a reset condition while VCC is below the threshold value of V_{WI} , (See Power-up Timing and Voltage Levels and Figure 20). While reset, all operations are disabled and no instructions are recognized. During power-up and after the VCC voltage exceeds V_{WI} , all program and erase related instructions are further disabled for a time delay of t_{PUW} . This includes the Write Enable, Page Program, Sector Erase, Block Erase, Chip Erase and the Write Status Register instructions. Note that the chip select pin (/CS) must track the VCC supply level at power-up until the VCC-min level and t_{VSL} time delay is reached. If needed a pull-up resistor on /CS can be used to accomplish this.

After power-up the device is automatically placed in a write-disabled state with the Status Register Write Enable Latch (WEL) set to a 0. A Write Enable instruction must be issued before a Page Program, Sector Erase, Chip Erase or Write Status Register instruction will be accepted. After completing a program, erase or write instruction the Write Enable Latch (WEL) is automatically cleared to a write-disabled state of 0.

Software controlled write protection is facilitated using the Write Status Register instruction and setting the Status Register Protect (SRP) and Block Protect (TB, BP2, BP1, and BP0) bits. These Status Register bits allow a portion or all of the memory to be configured as read only. Used in conjunction with the Write Protect (/WP) pin, changes to the Status Register can be enabled or disabled under hardware control. See Status Register for further information.

Additionally, the Power-down instruction offers an extra level of write protection as all instructions are ignored except for the Release Power-down instruction.



11. CONTROL AND STATUS REGISTERS

The Read Status Register instruction can be used to provide status on the availability of the Flash memory array, if the device is write enabled or disabled, and the state of write protection. The Write Status Register instruction can be used to configure the devices write protection features. See Figure 3.

11.1 STATUS REGISTER

11.1.1 BUSY

BUSY is a read only bit in the status register (S0) that is set to a 1 state when the device is executing a Page Program, Sector Erase, Block Erase, Chip Erase or Write Status Register instruction. During this time the device will ignore further instructions except for the Read Status Register instruction (see t_w , t_{pp} , t_{se} , t_{be} , and t_{ce} in AC Characteristics). When the program, erase or write status register instruction has completed, the BUSY bit will be cleared to a 0 state indicating the device is ready for further instructions.

11.1.2 Write Enable Latch (WEL)

Write Enable Latch (WEL) is a read only bit in the status register (S1) that is set to a 1 after executing a Write Enable Instruction. The WEL status bit is cleared to a 0 when the device is write disabled. A write disable state occurs upon power-up or after any of the following instructions: Write Disable, Page Program, Sector Erase, Block Erase, Chip Erase and Write Status Register.

11.1.3 Block Protect Bits (BP2, BP1, BP0)

The Block Protect Bits (BP2, BP1, and BP0) are non-volatile read/write bits in the status register (S4, S3, and S2) that provide Write Protection control and status. Block Protect bits can be set using the Write Status Register Instruction (see t_w in AC characteristics). All, none or a portion of the memory array can be protected from Program and Erase instructions (see Status Register Memory Protection table). The factory default setting for the Block Protection Bits is 0, none of the array protected. The Block Protect bits can not be written to if the Status Register Protect (SRP) bit is set to 1 and the Write Protect (/WP) pin is low.

11.1.4 Top/Bottom Block Protect (TB)

The Top/Bottom bit (TB) controls if the Block Protect Bits (BP2, BP1, BP0) protect from the Top (TB=0) or the Bottom (TB=1) of the array as shown in the Status Register Memory Protection table. The TB bit is non-volatile and the factory default setting is TB=0. The TB bit can be set with the Write Status Register Instruction provided that the Write Enable instruction has been issued. The TB bit can not be written to if the Status Register Protect (SRP) bit is set to 1 and the Write Protect (/WP) pin is low.

11.1.5 Reserved Bits

Status register bit location S6 is reserved for future use. Current devices will read 0 for this bit location. It is recommended to mask out the reserved bit when testing the Status Register. Doing this will ensure compatibility with future devices.

W25X16, W25X32, W25X64



11.1.6 Status Register Protect (SRP)

The Status Register Protect (SRP) bit is a non-volatile read/write bit in status register (S7) that can be used in conjunction with the Write Protect (/WP) pin to disable writes to status register. When the SRP bit is set to a 0 state (factory default) the /WP pin has no control over status register. When the SRP pin is set to a 1, the Write Status Register instruction is locked out while the /WP pin is low. When the /WP pin is high the Write Status Register instruction is allowed.

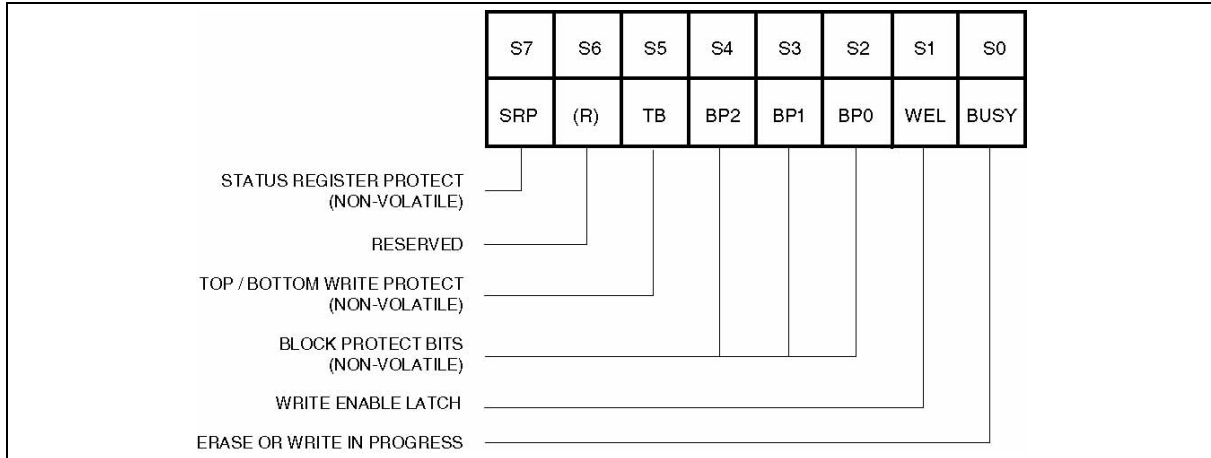


Figure 3. Status Register Bit Locations

W25X16, W25X32, W25X64



11.1.7 Status Register Memory Protection

STATUS REGISTER ⁽¹⁾				W25X64 (64M-BIT) MEMORY PROTECTION			
TB	BP2	BP1	BP0	BLOCK(S)	ADDRESSES	DENSITY (KB)	PORTION
x	0	0	0	NONE	NONE	NONE	NONE
0	0	0	1	126 and 127	7E0000h - 7FFFFFFh	1M-bit	Upper 1/64
0	0	1	0	124 and 127	7C0000h - 7FFFFFFh	2M-bit	Upper 1/32
0	0	1	1	120 thru 127	780000h - 7FFFFFFh	4M-bit	Upper 1/16
0	1	0	0	112 thru 127	700000h - 7FFFFFFh	8M-bit	Upper 1/8
0	1	0	1	96 thru 127	600000h - 7FFFFFFh	16M-bit	Upper 1/4
0	1	1	0	64 thru 127	400000h - 7FFFFFFh	32M-bit	Upper 1/2
1	0	0	1	0 and 1	000000h - 01FFFFh	1M-bit	Lower 1/64
1	0	1	0	0 thru 3	000000h - 03FFFFh	2M-bit	Lower 1/32
1	0	1	1	0 thru 7	000000h - 07FFFFh	4M-bit	Lower 1/16
1	1	0	0	0 thru 15	000000h - 0FFFFFFh	8M-bit	Lower 1/8
1	1	0	1	0 thru 31	000000h - 1FFFFFFh	16M-bit	Lower 1/4
1	1	1	0	0 thru 63	000000h - 3FFFFFFh	16M-bit	Lower 1/2
x	1	1	1	0 thru 127	000000h - 7FFFFFFh	64M-bit	ALL

STATUS REGISTER ⁽¹⁾				W25X32 (32M-BIT) MEMORY PROTECTION			
TB	BP2	BP1	BP0	BLOCK(S)	ADDRESSES	DENSITY (KB)	PORTION
x	0	0	0	NONE	NONE	NONE	NONE
0	0	0	1	63	3F0000h - 3FFFFFFh	512K-bit	Upper 1/64
0	0	1	0	62 and 63	3E0000h - 3FFFFFFh	1M-bit	Upper 1/32
0	0	1	1	60 thru 63	3C0000h - 3FFFFFFh	2M-bit	Upper 1/16
0	1	0	0	56 thru 63	380000h - 3FFFFFFh	4M-bit	Upper 1/8
0	1	0	1	48 thru 63	300000h - 3FFFFFFh	8M-bit	Upper 1/4
0	1	1	0	32 thru 63	200000h - 3FFFFFFh	16M-bit	Upper 1/2
1	0	0	1	0	000000h - 00FFFFh	512K-bit	Lower 1/64
1	0	1	0	0 and 1	000000h - 01FFFFh	1M-bit	Lower 1/32
1	0	1	1	0 thru 3	000000h - 03FFFFh	2M-bit	Lower 1/16
1	1	0	0	0 thru 7	000000h - 07FFFFh	4M-bit	Lower 1/8
1	1	0	1	0 thru 15	000000h - 0FFFFFFh	8M-bit	Lower 1/4
1	1	1	0	0 thru 31	000000h - 1FFFFFFh	16M-bit	Lower 1/2
x	1	1	1	0 thru 63	000000h - 3FFFFFFh	32M-bit	ALL

W25X16, W25X32, W25X64



STATUS REGISTER ⁽¹⁾				W25X16 (16M-BIT) MEMORY PROTECTION			
TB	BP2	BP1	BP0	BLOCK(S)	ADDRESSES	DENSITY (KB)	PORTION
x	0	0	0	NONE	NONE	NONE	NONE
0	0	0	1	31	1F0000h - 1FFFFFFh	512K-bit	Upper 1/32
0	0	1	0	30 and 31	1E0000h - 1FFFFFFh	1M-bit	Upper 1/16
0	0	1	1	28 thru 31	1C0000h - 1FFFFFFh	2M-bit	Upper 1/8
0	1	0	0	24 thru 31	180000h - 1FFFFFFh	4M-bit	Upper 1/4
0	1	0	1	16 thru 31	100000h - 1FFFFFFh	8M-bit	Upper 1/2
1	0	0	1	0	000000h - 00FFFFh	512K-bit	Lower 1/32
1	0	1	0	0 and 1	000000h - 01FFFFh	1M-bit	Lower 1/16
1	0	1	1	0 thru 3	000000h - 03FFFFh	2M-bit	Lower 1/8
1	1	0	0	0 thru 7	000000h - 07FFFFh	4M-bit	Lower 1/4
1	1	0	1	0 thru 15	000000h - 0FFFFFFh	8M-bit	Lower 1/2
x	1	1	x	0 thru 31	000000h - 1FFFFFFh	16M-bit	ALL

Note:

1. x = don't care

W25X16, W25X32, W25X64



11.2 INSTRUCTIONS

The instruction set of the W25X16/32/64 consists of fifteen basic instructions that are fully controlled through the SPI bus (see Instruction Set table). Instructions are initiated with the falling edge of Chip Select (/CS). The first byte of data clocked into the DIO input provides the instruction code. Data on the DIO input is sampled on the rising edge of clock with most significant bit (MSB) first.

Instructions vary in length from a single byte to several bytes and may be followed by address bytes, data bytes, dummy bytes (don't care), and in some cases, a combination. Instructions are completed with the rising edge of edge /CS. Clock relative timing diagrams for each instruction are included in figures 4 through 19. All read instructions can be completed after any clocked bit. However, all instructions that Write, Program or Erase must complete on a byte boundary (CS driven high after a full 8-bits have been clocked) otherwise the instruction will be terminated. This feature further protects the device from inadvertent writes. Additionally, while the memory is being programmed or erased, or when the Status Register is being written, all instructions except for Read Status Register will be ignored until the program or erase cycle has completed.

11.2.1 Manufacturer and Device Identification

MANUFACTURER ID	(M7-M0)	
Winbond Serial Flash	EFH	
Device ID	(ID7-ID0)	(ID15-ID0)
Instruction	ABh, 90h	9Fh
W25X16	14h	3015h
W25X32	15h	3016h
W25X64	16h	3017h

W25X16, W25X32, W25X64



11.2.2 Instruction Set ⁽¹⁾

INSTRUCTION NAME	BYTE 1 CODE	BYTE 2	BYTE 3	BYTE 4	BYTE 5	BYTE 6	N-BYTES
Write Enable	06h						
Write Disable	04h						
Read Status Register	05h	(S7-S0) ⁽¹⁾					⁽²⁾
Write Status Register	01h	S7-S0					
Read Data	03h	A23-A16	A15-A8	A7-A0	(D7-D0)	(Next byte)	continuous
Fast Read	0Bh	A23-A16	A15-A8	A7-A0	dummy	(D7-D0)	(Next Byte) continuous
Fast Read Dual Output	3Bh	A23-A16	A15-A8	A7-A0	dummy	I/O = (D6,D4,D2,D0) O = (D7,D5,D3,D1)	(one byte per 4 clocks, continuous)
Page Program	02h	A23-A16	A15-A8	A7-A0	(D7-D0)	(Next byte)	Up to 256 bytes
Block Erase (64KB)	D8h	A23-A16	A15-A8	A7-A0			
Sector Erase (4KB)	20h	A23-A16	A15-A8	A7-A0			
Chip Erase	C7h						
Power-down	B9h						
Release Power-down / Device ID	ABh	dummy	dummy	dummy	(ID7-ID0) ⁽⁴⁾		
Manufacturer/ Device ID ⁽³⁾	90h	dummy	dummy	00h	(M7-M0)	(ID7-ID0)	
JEDEC ID	9Fh	(M7-M0) Manufacturer	(ID15-ID8) Memory Type	(ID7-ID0) Capacity			

Notes:

1. Data bytes are shifted with Most Significant Bit first. Byte fields with data in parenthesis “()” indicate data being read from the device on the DO pin.
2. The Status Register contents will repeat continuously until /CS terminates the instruction.
3. See Manufacturer and Device Identification table for Device ID information.
4. The Device ID will repeat continuously until /CS terminates the instruction.

11.2.3 Write Enable (06h)

The Write Enable instruction (Figure 4) sets the Write Enable Latch (WEL) bit in the Status Register to a 1. The WEL bit must be set prior to every Page Program, Sector Erase, Block Erase, Chip Erase and Write Status Register instruction. The Write Enable instruction is entered by driving /CS low, shifting the instruction code “06h” into the Data Input (DI) pin on the rising edge of CLK, and then driving /CS high.

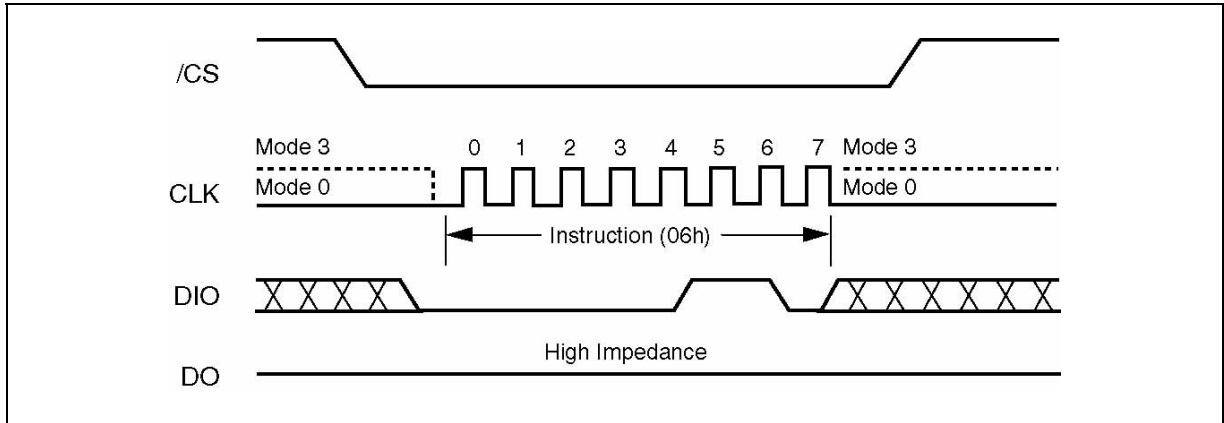


Figure 4. Write Enable Instruction Sequence Diagram

11.2.4 Write Disable (04h)

The Write Dissable instruction (Figure 5) resets the Write Enable Latch (WEL) bit in the Status Register to a 0. The Write Disable instruction is entered by driving /CS low, shifting the instruction code “04h” into the DIO pin and then driving /CS high. Note that the WEL bit is automatically reset after Power-up and upon completion of the Write Status Register, Page Program, Sector Erase, Block Erase and Chip Erase instructions.

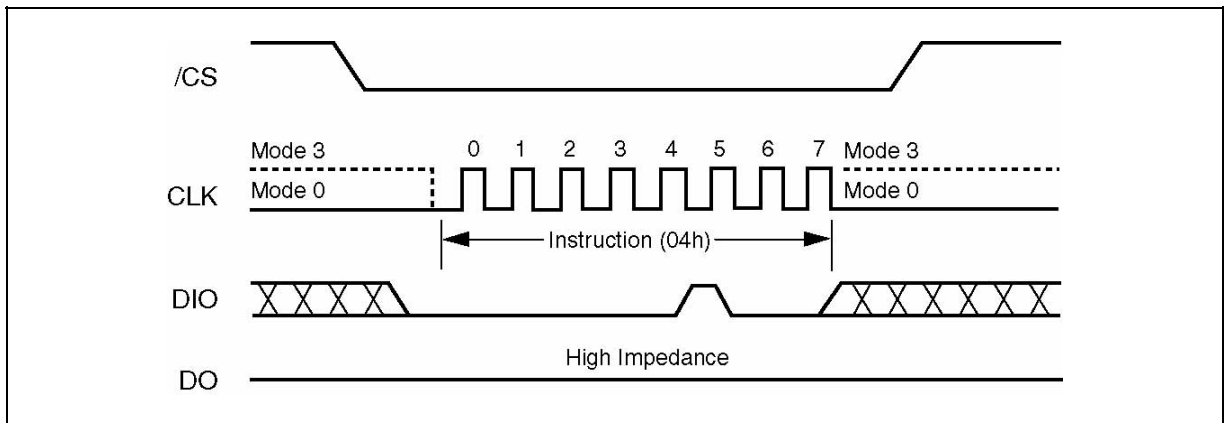


Figure 5. Write Disable Instruction Sequence Diagram

11.2.5 Read Status Register (05h)

The Read Status Register instruction allows the 8-bit Status Register to be read. The instruction is entered by driving /CS low and shifting the instruction code “05h” into the DIO pin on the rising edge of CLK. The status register bits are then shifted out on the DO pin at the falling edge of CLK with most significant bit (MSB) first as shown in figure 6. The Status Register bits are shown in figure 3 and include the BUSY, WEL, BP2-BP0, TB and SRP bits (see description of the Status Register earlier in this datasheet).

The Status Register instruction may be used at any time, even while a Program, Erase or Write Status Register cycle is in progress. This allows the BUSY status bit to be checked to determine when the cycle is complete and if the device can accept another instruction. The Status Register can be read continuously, as shown in Figure 6. The instruction is completed by driving /CS high.

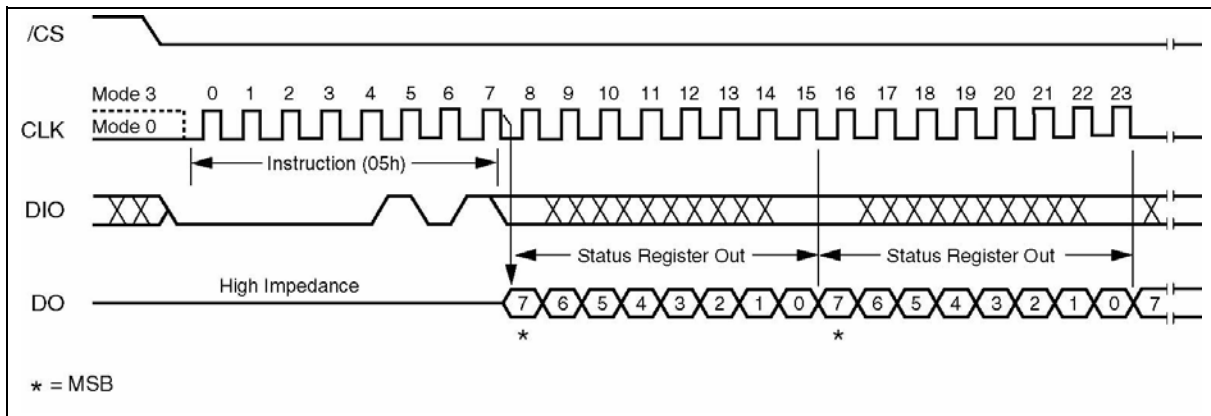


Figure 6. Read Status Register Instruction Sequence Diagram

W25X16, W25X32, W25X64



11.2.6 Write Status Register (01h)

The Write Status Register instruction allows the Status Register to be written. A Write Enable instruction must previously have been executed for the device to accept the Write Status Register Instruction (Status Register bit WEL must equal 1). Once write enabled, the instruction is entered by driving /CS low, sending the instruction code “01h”, and then writing the status register data byte as illustrated in figure 7. The Status Register bits are shown in figure 3 and described earlier in this datasheet.

Only non-volatile Status Register bits SRP, TB, BP2, BP1 and BP0 (bits 7, 5, 4, 3 and 2) can be written to. All other Status Register bit locations are read-only and will not be affected by the Write Status Register instruction.

The /CS pin must be driven high after the eighth bit of the last byte has been latched. If this is not done the Write Status Register instruction will not be executed. After /CS is driven high, the self-timed Write Status Register cycle will commence for a time duration of t_w (See AC Characteristics). While the Write Status Register cycle is in progress, the Read Status Register instruction may still be accessed to check the status of the BUSY bit. The BUSY bit is a 1 during the Write Status Register cycle and a 0 when the cycle is finished and ready to accept other instructions again. After the Write Register cycle has finished the Write Enable Latch (WEL) bit in the Status Register will be cleared to 0.

The Write Status Register instruction allows the Block Protect bits (TB, BP2, BP1 and BP0) to be set for protecting all, a portion, or none of the memory from erase and program instructions. Protected areas become read-only (see Status Register Memory Protection table). The Write Status Register instruction also allows the Status Register Protect bit (SRP) to be set. This bit is used in conjunction with the Write Protect (/WP) pin to disable writes to the status register. When the SRP bit is set to a 0 state (factory default) the /WP pin has no control over the status register. When the SRP pin is set to a 1, the Write Status Register instruction is locked out while the /WP pin is low. When the /WP pin is high the Write Status Register instruction is allowed.

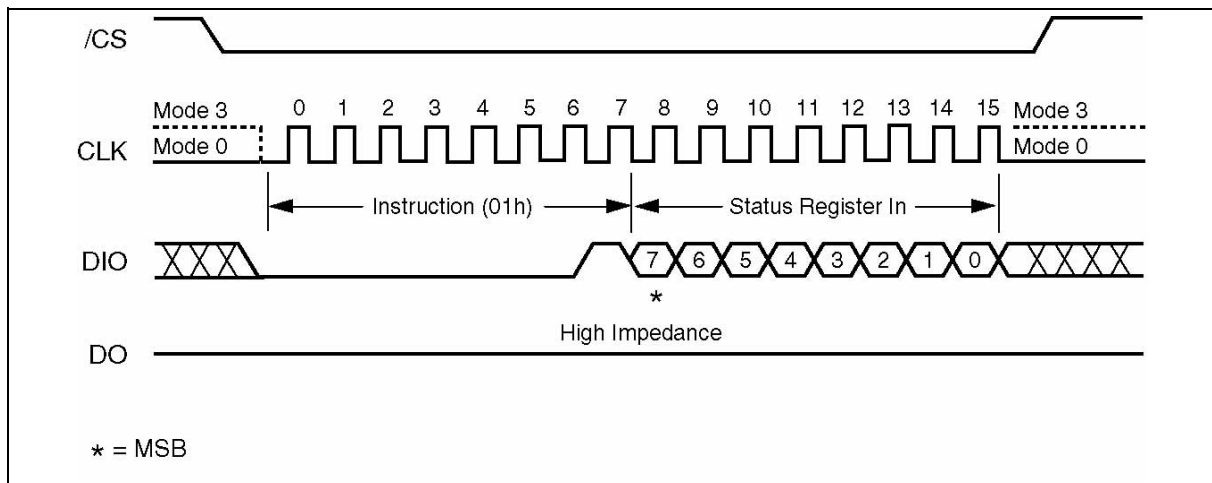


Figure 7. Write Status Register Instruction Sequence Diagram

W25X16, W25X32, W25X64



11.2.7 Read Data (03h)

The Read Data instruction allows one more data bytes to be sequentially read from the memory. The instruction is initiated by driving the /CS pin low and then shifting the instruction code "03h" followed by a 24-bit address (A23-A0) into the DIO pin. The code and address bits are latched on the rising edge of the CLK pin. After the address is received, the data byte of the addressed memory location will be shifted out on the DO pin at the falling edge of CLK with most significant bit (MSB) first. The address is automatically incremented to the next higher address after each byte of data is shifted out allowing for a continuous stream of data. This means that the entire memory can be accessed with a single instruction as long as the clock continues. The instruction is completed by driving /CS high. The Read Data instruction sequence is shown in figure 8. If a Read Data instruction is issued while an Erase, Program or Write cycle is in process (BUSY=1) the instruction is ignored and will not have any effects on the current cycle. The Read Data instruction allows clock rates from D.C. to a maximum of f_R (see AC Electrical Characteristics).

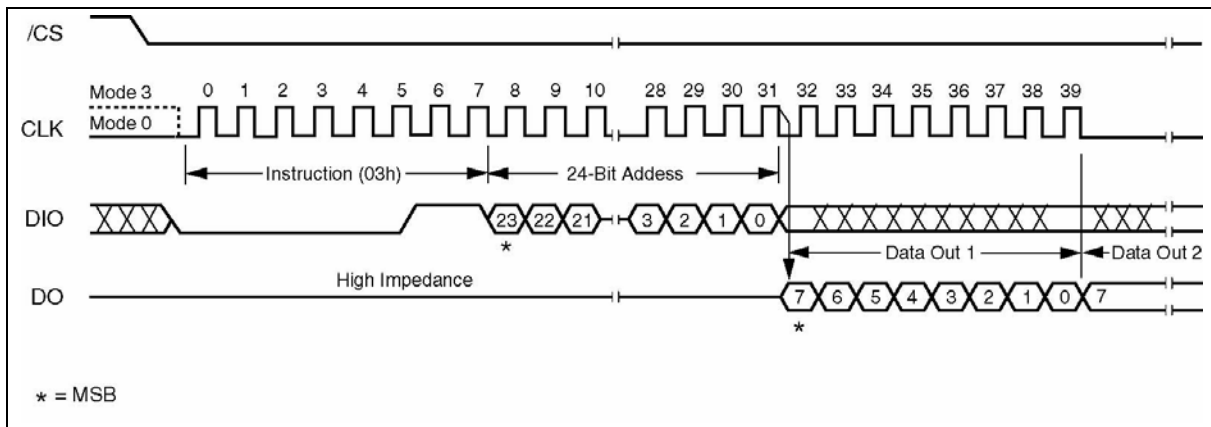


Figure 8. Read Data Instruction Sequence Diagram

W25X16, W25X32, W25X64



11.2.8 Fast Read (0Bh)

The Fast Read instruction is similar to the Read Data instruction except that it can operate at the highest possible frequency of FR (see AC Electrical Characteristics). This is accomplished by adding eight “dummy” clocks after the 24-bit address as shown in figure 9. The dummy clocks allow the devices internal circuits additional time for setting up the initial address. During the dummy clocks the data value on the DIO pin is a “don’t care”.

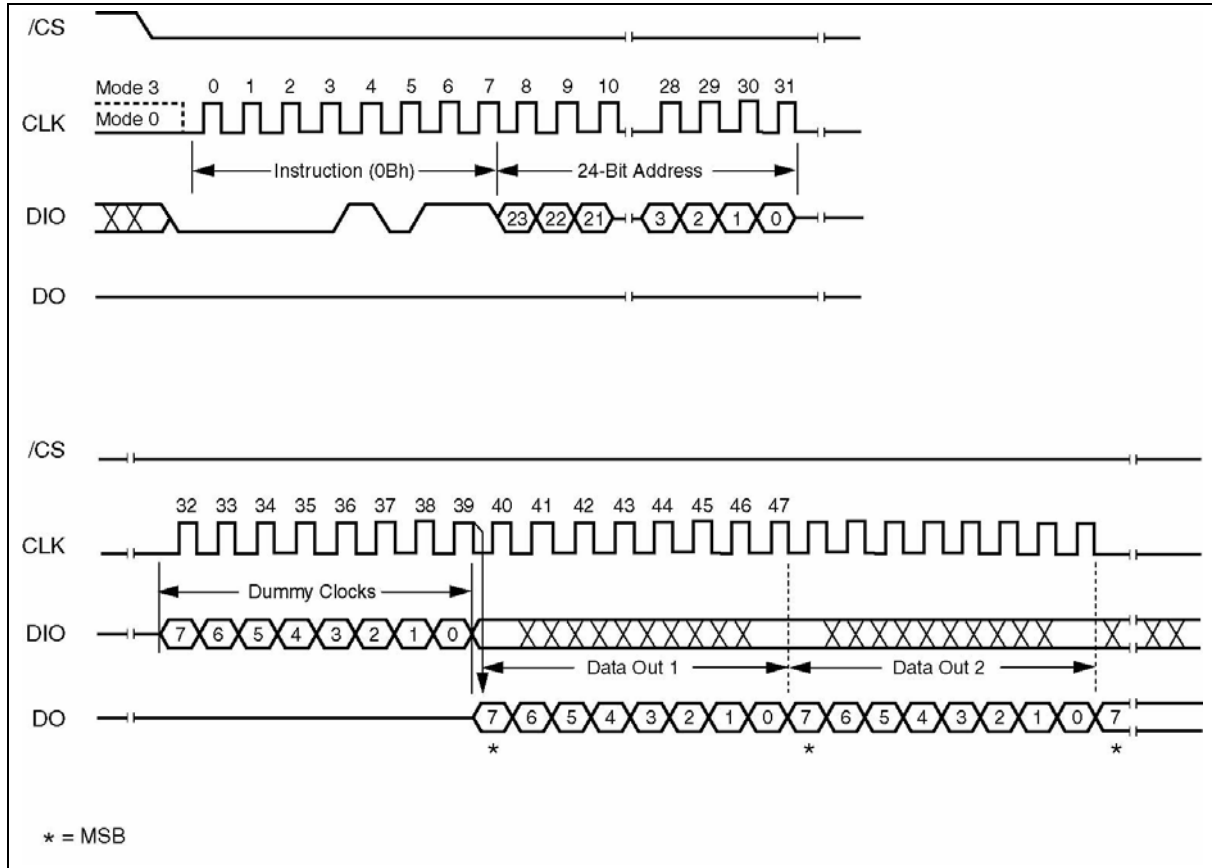


Figure 9. Fast Read Instruction Sequence Diagram

W25X16, W25X32, W25X64



11.2.9 Fast Read Dual Output (3Bh)

The Fast Read Dual Output (3Bh) instruction is similar to the standard Fast Read (0Bh) instruction except that data is output on two pins, DO and DIO, instead of just DO. This allows data to be transferred from the W25X16/32/64 at twice the rate of standard SPI devices. The Fast Read Dual Output instruction is ideal for quickly downloading code from Flash to RAM upon power-up or for applications that cache code-segments to RAM for execution.

Similar to the Fast Read instruction, the Fast Read Dual Output instruction can operate at the highest possible frequency of FR (see AC Electrical Characteristics). This is accomplished by adding eight “dummy” clocks after the 24-bit address as shown in figure 10. The dummy clocks allow the device's internal circuits additional time for setting up the initial address. The input data during the dummy clocks is “don't care”. However, the DIO pin should be high-impedance prior to the falling edge of the first data out clock.

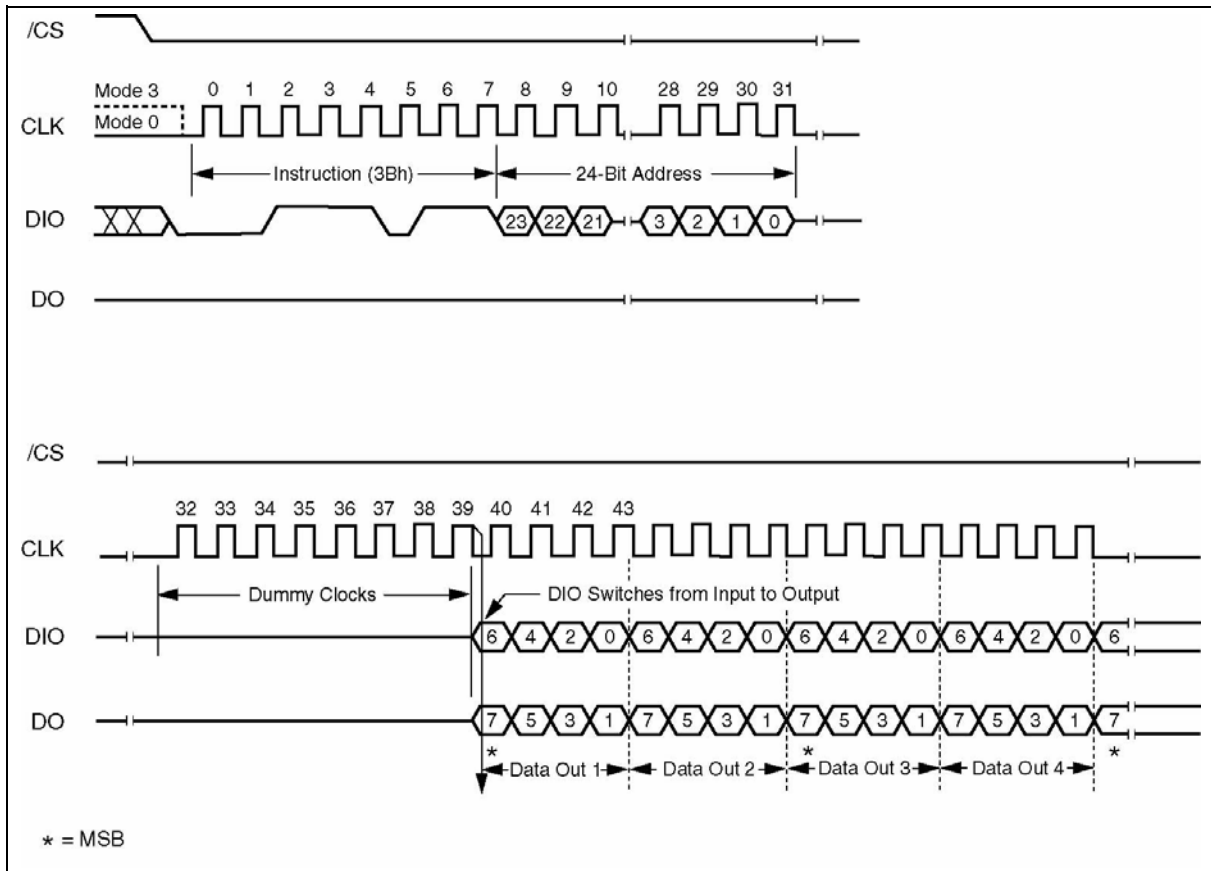


Figure 10. Fast Read Dual Output Instruction Sequence Diagram

W25X16, W25X32, W25X64



11.2.10 Page Program (02h)

The Page Program instruction allows up to 256 bytes of data to be programmed at previously erased to all 1s (FFh) memory locations. A Write Enable instruction must be executed before the device will accept the Page Program Instruction (Status Register bit WEL must equal 1). The instruction is initiated by driving the /CS pin low then shifting the instruction code “02h” followed by a 24-bit address (A23-A0) and at least one data byte, into the DIO pin. The /CS pin must be held low for the entire length of the instruction while data is being sent to the device. The Page Program instruction sequence is shown in figure 11.

If an entire 256 byte page is to be programmed, the last address byte (the 8 least significant address bits) should be set to 0. If the last address byte is not zero, and the number of clocks exceed the remaining page length, the addressing will wrap to the beginning of the page. In some cases, less than 256 bytes (a partial page) can be programmed without having any effect on other bytes within the same page. One condition to perform a partial page program is that the number of clocks can not exceed the remaining page length. If more than 256 bytes are sent to the device the addressing will wrap to the beginning of the page and overwrite previously sent data.

As with the write and erase instructions, the /CS pin must be driven high after the eighth bit of the last byte has been latched. If this is not done the Page Program instruction will not be executed. After /CS is driven high, the self-timed Page Program instruction will commence for a time duration of tpp (See AC Characteristics). While the Page Program cycle is in progress, the Read Status Register instruction may still be accessed for checking the status of the BUSY bit. The BUSY bit is a 1 during the Page Program cycle and becomes a 0 when the cycle is finished and the device is ready to accept other instructions again. After the Page Program cycle has finished the Write Enable Latch (WEL) bit in the Status Register is cleared to 0. The Page Program instruction will not be executed if the addressed page is protected by the Block Protect (BP2, BP1, and BP0) bits (see Status Register Memory Protection table).

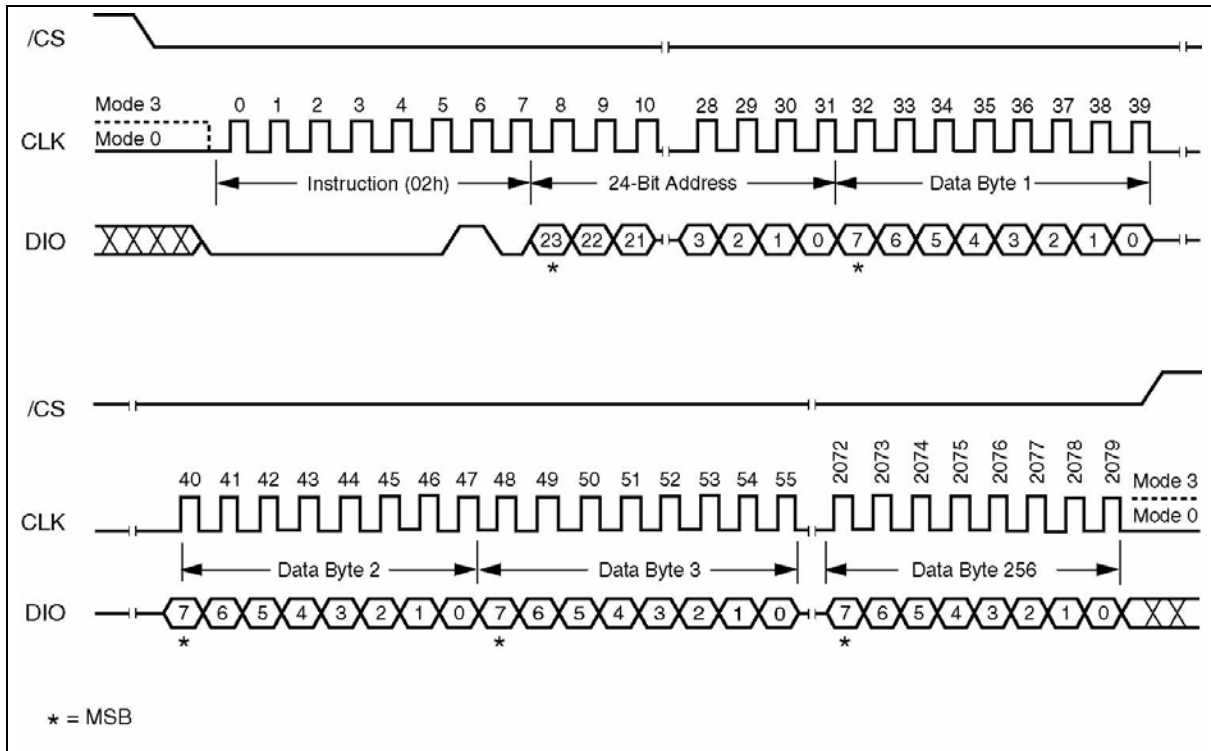


Figure 11. Page Program Instruction Sequence Diagram

11.2.11 Sector Erase (20h)

The Sector Erase instruction sets all memory within a specified sector (4K-bytes) to the erased state of all 1s (FFh). A Write Enable instruction must be executed before the device will accept the Sector Erase Instruction (Status Register bit WEL must equal 1). The instruction is initiated by driving the /CS pin low and shifting the instruction code “20h” followed a 24-bit sector address (A23-A0) (see Figure 2). The Sector Erase instruction sequence is shown in figure 12.

The /CS pin must be driven high after the eighth bit of the last byte has been latched. If this is not done the Sector Erase instruction will not be executed. After /CS is driven high, the self-timed Sector Erase instruction will commence for a time duration of t_{SE} (See AC Characteristics). While the Sector Erase cycle is in progress, the Read Status Register instruction may still be accessed for checking the status of the BUSY bit. The BUSY bit is a 1 during the Sector Erase cycle and becomes a 0 when the cycle is finished and the device is ready to accept other instructions again. After the Sector Erase cycle has finished the Write Enable Latch (WEL) bit in the Status Register is cleared to 0. The Sector Erase instruction will not be executed if the addressed page is protected by the Block Protect (TB, BP2, BP1, and BP0) bits (see Status Register Memory Protection table).

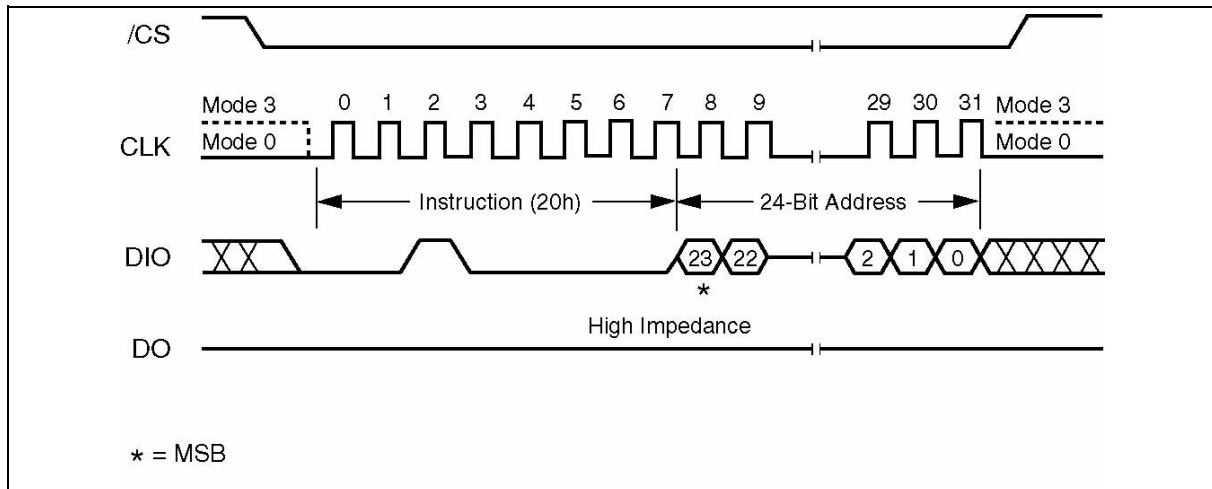


Figure 12. Sector Erase Instruction Sequence Diagram

11.2.12 Block Erase (D8h)

The Block Erase instruction sets all memory within a specified block (64K-bytes) to the erased state of all 1s (FFh). A Write Enable instruction must be executed before the device will accept the Block Erase Instruction (Status Register bit WEL must equal 1). The instruction is initiated by driving the /CS pin low and shifting the instruction code “D8h” followed a 24-bit block address (A23-A0) (see Figure 2). The Block Erase instruction sequence is shown in figure 13.

The /CS pin must be driven high after the eighth bit of the last byte has been latched. If this is not done the Block Erase instruction will not be executed. After /CS is driven high, the self-timed Block Erase instruction will commence for a time duration of tBE (See AC Characteristics). While the Block Erase cycle is in progress, the Read Status Register instruction may still be accessed for checking the status of the BUSY bit. The BUSY bit is a 1 during the Block Erase cycle and becomes a 0 when the cycle is finished and the device is ready to accept other instructions again. After the Block Erase cycle has finished the Write Enable Latch (WEL) bit in the Status Register is cleared to 0. The Block Erase instruction will not be executed if the addressed page is protected by the Block Protect (TB, BP2, BP1, and BP0) bits (see Status Register Memory Protection table).

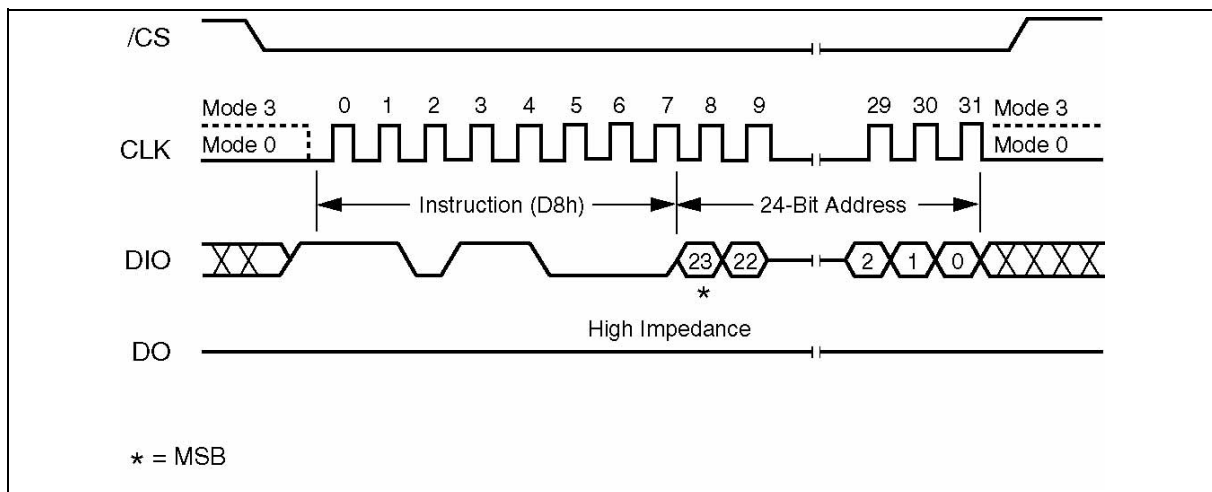


Figure 13. Block Erase Instruction Sequence Diagram

W25X16, W25X32, W25X64



11.2.13 Chip Erase (C7h)

The Chip Erase instruction sets all memory within the device to the erased state of all 1s (FFh). A Write Enable instruction must be executed before the device will accept the Chip Erase Instruction (Status Register bit WEL must equal 1). The instruction is initiated by driving the /CS pin low and shifting the instruction code "C7h". The Chip Erase instruction sequence is shown in figure 14.

The /CS pin must be driven high after the eighth bit has been latched. If this is not done the Chip Erase instruction will not be executed. After /CS is driven high, the self-timed Chip Erase instruction will commence for a time duration of tCE (See AC Characteristics). While the Chip Erase cycle is in progress, the Read Status Register instruction may still be accessed to check the status of the BUSY bit. The BUSY bit is a 1 during the Chip Erase cycle and becomes a 0 when finished and the device is ready to accept other instructions again. After the Chip Erase cycle has finished the Write Enable Latch (WEL) bit in the Status Register is cleared to 0. The Chip Erase instruction will not be executed if any page is protected by the Block Protect (BP2, BP1, and BP0) bits (see Status Register Memory Protection table).

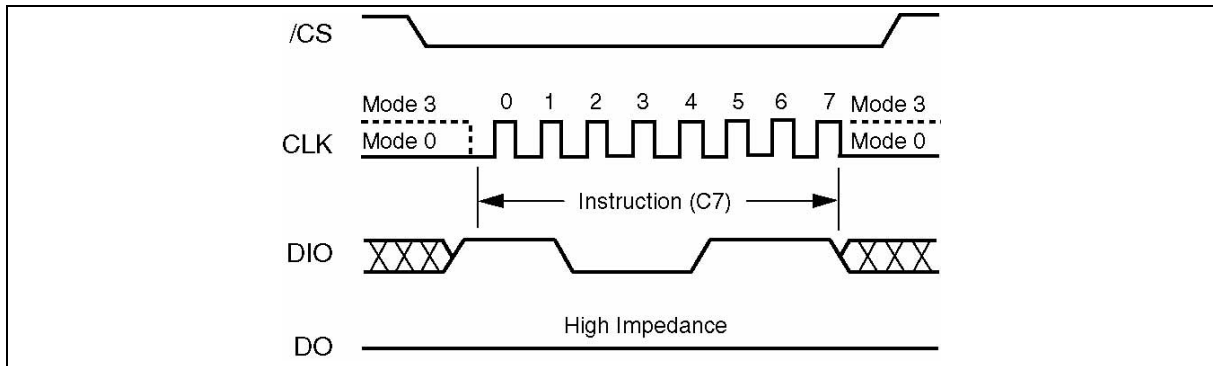


Figure 14. Chip Erase Instruction Sequence Diagram

11.2.14 Power-down (B9h)

Although the standby current during normal operation is relatively low, standby current can be further reduced with the Power-down instruction. The lower power consumption makes the Power-down instruction especially useful for battery powered applications (See ICC1 and ICC2 in AC Characteristics). The instruction is initiated by driving the /CS pin low and shifting the instruction code "B9h" as shown in figure 15.

The /CS pin must be driven high after the eighth bit has been latched. If this is not done the Power-down instruction will not be executed. After /CS is driven high, the power-down state will be entered within the time duration of t_{DP} (See AC Characteristics). While in the power-down state only the Release from Power-down / Device ID instruction, which restores the device to normal operation, will be recognized. All other instructions are ignored. This includes the Read Status Register instruction, which is always available during normal operation. Ignoring all but one instruction makes the Power Down state a useful condition for securing maximum write protection. The device always powers-up in the normal operation with the standby current of ICC1.

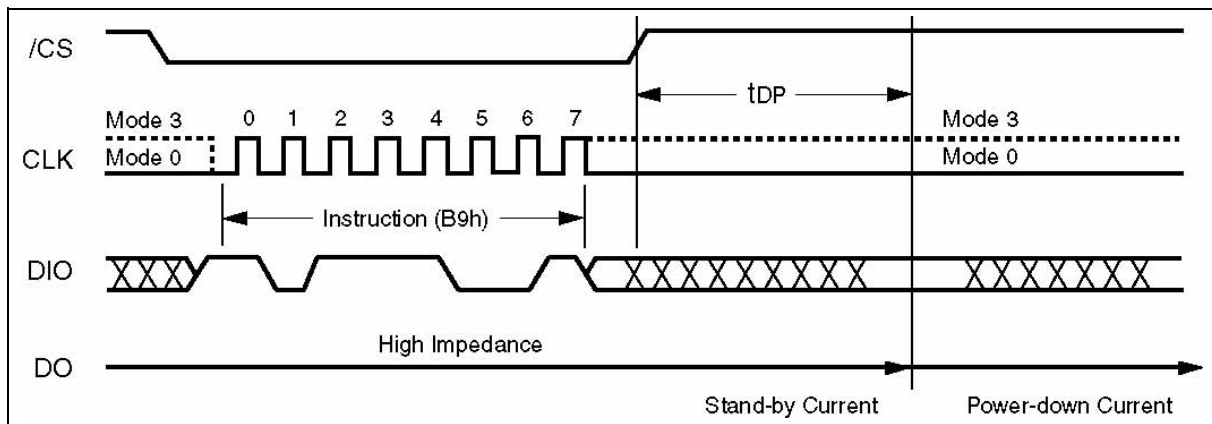


Figure 15. Deep Power-down Instruction Sequence Diagram

W25X16, W25X32, W25X64



11.2.15 Release Power-down / Device ID (ABh)

The Release from Power-down / Device ID instruction is a multi-purpose instruction. It can be used to release the device from the power-down state, obtain the devices electronic identification (ID) number or do both.

When used only to release the device from the power-down state, the instruction is issued by driving the /CS pin low, shifting the instruction code "ABh" and driving /CS high as shown in figure 16. After the time duration of t_{RES1} (See AC Characteristics) the device will resume normal operation and other instructions will be accepted. The /CS pin must remain high during the t_{RES1} time duration.

When used only to obtain the Device ID while not in the power-down state, the instruction is initiated by driving the /CS pin low and shifting the instruction code "ABh" followed by 3-dummy bytes. The Device ID bits are then shifted out on the falling edge of CLK with most significant bit (MSB) first as shown in figure 17. The Device ID values for the W25X16, W25X32, AND W25X64 are listed in Manufacturer and Device Identification table. The Device ID can be read continuously. The instruction is completed by driving /CS high.

When used to release the device from the power-down state and obtain the Device ID, the instruction is the same as previously described, and shown in figure 17, except that after /CS is driven high it must remain high for a time duration of t_{RES2} (See AC Characteristics). After this time duration the device will resume normal operation and other instructions will be accepted.

If the Release from Power-down / Device ID instruction is issued while an Erase, Program or Write cycle is in process (when BUSY equals 1) the instruction is ignored and will not have any effects on the current cycle

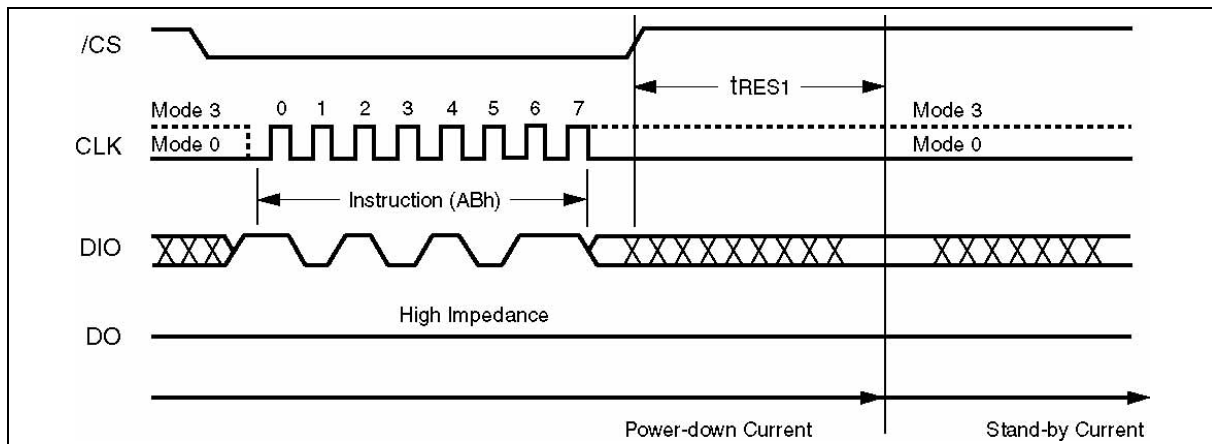


Figure 16. Release Power-down Instruction Sequence

W25X16, W25X32, W25X64

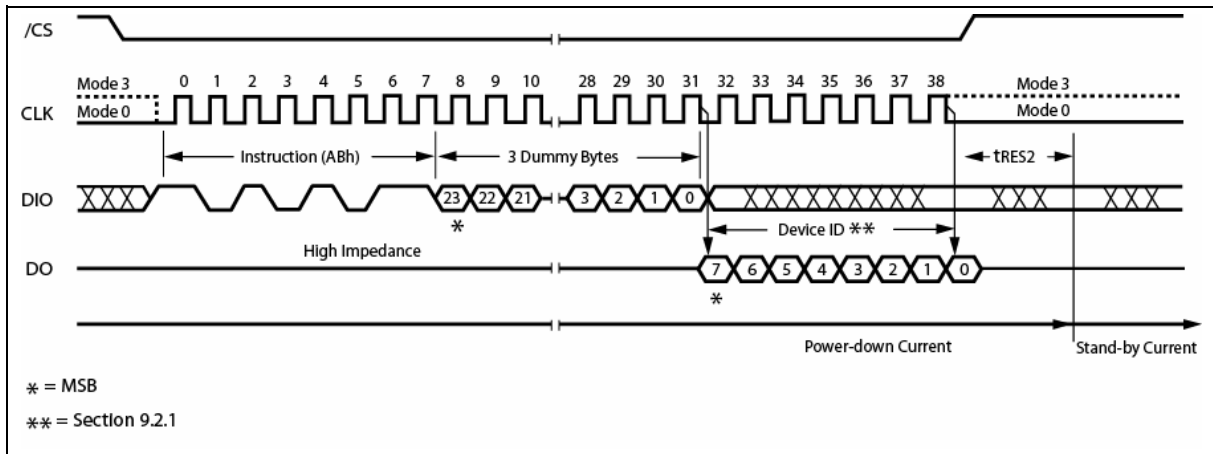


Figure 17. Release Power-down / Device ID Instruction Sequence Diagram

W25X16, W25X32, W25X64



11.2.16 Read Manufacturer / Device ID (90h)

The Read Manufacturer/Device ID instruction is an alternative to the Release from Power-down / Device ID instruction that provides both the JEDEC assigned manufacturer ID and the specific device ID.

The Read Manufacturer/Device ID instruction is very similar to the Release from Power-down / Device ID instruction. The instruction is initiated by driving the /CS pin low and shifting the instruction code "90h" followed by a 24-bit address (A23-A0) of 000000h. After which, the Manufacturer ID for Winbond (EFh) and the Device ID are shifted out on the falling edge of CLK with most significant bit (MSB) first as shown in figure 18. The Device ID values for the W25X16, W25X32, AND W25X64 are listed in Manufacturer and Device Identification table. If the 24-bit address is initially set to 000001h the Device ID will be read first and then followed by the Manufacturer ID. The Manufacturer and Device IDs can be read continuously, alternating from one to the other. The instruction is completed by driving /CS high.

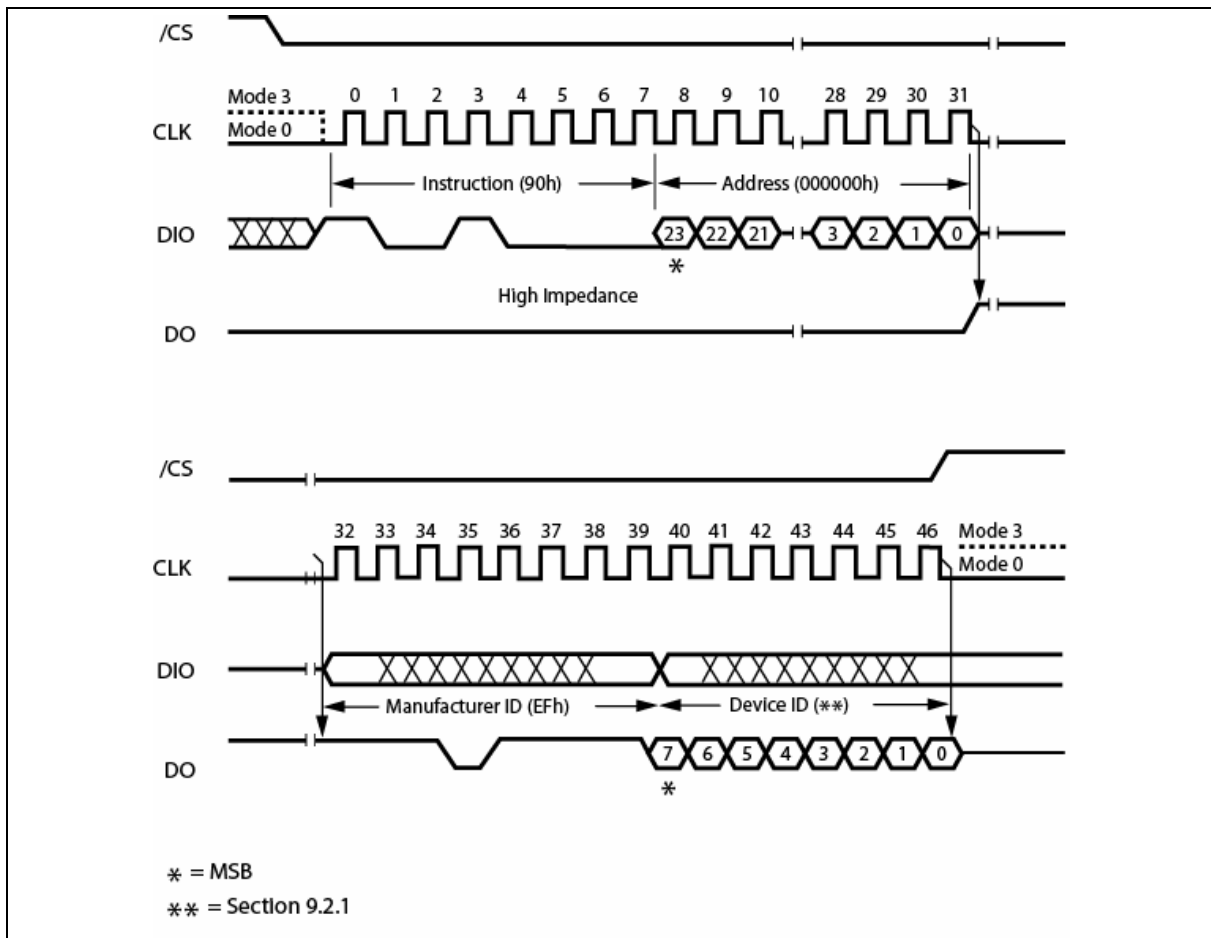


Figure 18. Read Manufacturer / Device ID Diagram

W25X16, W25X32, W25X64



11.2.17 JEDEC ID (9Fh)

For compatibility reasons, the W25X16/32/64 provides several instructions to electronically determine the identity of the device. The Read JEDEC ID instruction is compatible with the JEDEC standard for SPI compatible serial memories that was adopted in 2003.

The instruction is initiated by driving the /CS pin low and shifting the instruction code "9Fh". The JEDEC assigned Manufacturer ID byte for Winbond (EFh) and two Device ID bytes, Memory Type (ID15-ID8) and Capacity (ID7-ID0) are then shifted out on the falling edge of CLK with most significant bit (MSB) first as shown in figure 19. For memory type and capacity values refer to Manufacturer and Device Identification table.

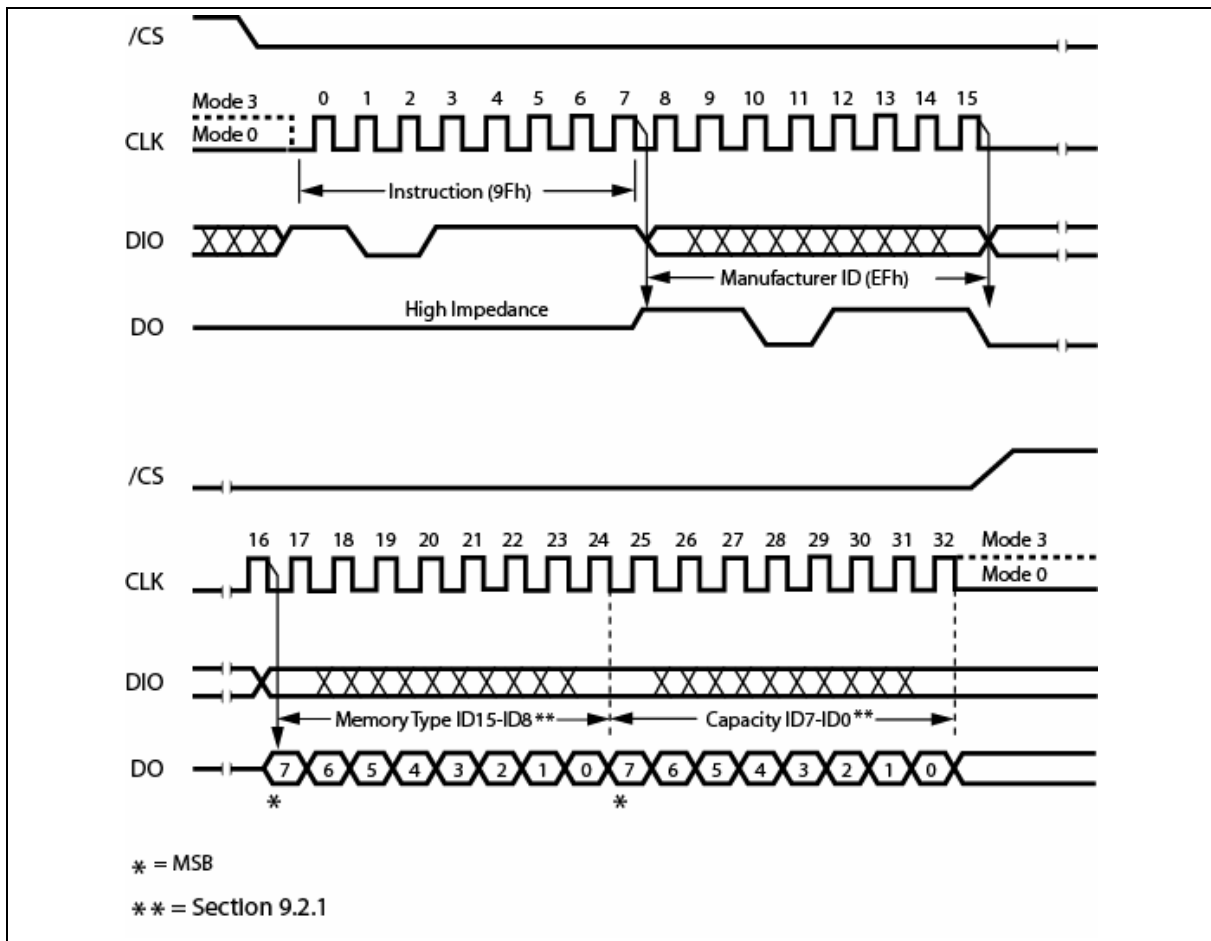


Figure 19. Read JEDEC ID

W25X16, W25X32, W25X64



12. ELECTRICAL CHARACTERISTICS ⁽¹⁾

12.1 Absolute Maximum Ratings ⁽²⁾

PARAMETERS	SYMBOL	CONDITIONS	RANGE	UNIT
Supply Voltage	VCC		-0.6 to +4.0	V
Voltage applied to any Pin	VIO	Relative to Ground	-0.6 to VCC +0.4	V
Transient Voltage on any Pin	VIOT	<20nS Transient Relative to Ground	-2.0V to VCC+2.0V	V
Storage Temperature	TSTG		-65 to +150	°C
Lead Temperature	TLEAD		See Note ⁽³⁾	°C
Electrostatic Discharge Voltage	VESD	Human Body Model ⁽⁴⁾	-2000 to +2000	V

Notes:

1. Specifications for W25X32 and W25X64 are preliminary. See preliminary designation at the end of this datasheet.
2. This device has been designed and tested for the specified operation ranges. Proper operation outside of these levels is not guaranteed. Exposure to absolute maximum ratings may affect device reliability. Exposure beyond absolute maximum ratings may cause permanent damage.
3. Compliant with JEDEC Standard J-STD-20C for small body Sn-Pb or Pb-free (Green) assembly and the European directive on restrictions on hazardous substances (RoHS) 2002/95/EU.
4. JEDEC Std JESD22-A114A (C1=100 pF, R1=1500 ohms, R2=500 ohms).

12.2 Operating Ranges

PARAMETER	SYMBOL	CONDITIONS	SPEC		UNIT
			MIN	MAX	
Supply Voltage ⁽¹⁾	VCC	F _R = 50MHz, f _R = 33MHz	2.7	3.6	V
		F _{R0} = 70MHz, f _R = 33MHz	3.0	3.6	
		F _{R1} = 75MHz, f _R = 33MHz	3.0	3.6	
Ambient Temperature, Operating	T _A	Commercial ⁽²⁾	0	+70	°C
		Industrial	-40	+85	

Note:

1. VCC voltage during Read can operate across the min and max range but should not exceed ±10% of the programming (erase/write) voltage.
2. Commercial temperature only applies to Fast Read (F_{R0} & F_{R1}) and 100K cycles endurance for 4K byte sectors. Industrial temperature applies to all other parameters.

W25X16, W25X32, W25X64



12.3 Endurance and Data Retention

PARAMETER	CONDITIONS	MIN	MAX	UNIT
Erase/Program Cycles	4KB sector, 64KB block or full chip.		100,000	cycles
Data Retention	Full Temperature Range		20	years

12.4 Power-up Timing and Write Inhibit Threshold

PARAMETER	SYMBOL	SPEC		UNIT
		MIN	MAX	
VCC (min) to /CS Low	tvSL ⁽¹⁾	10		μs
Time Delay Before Write Instruction	tPUW ⁽¹⁾	1	10	ms
Write Inhibit Threshold Voltage	VWI ⁽¹⁾	1	2	V

Note:

1. These parameters are characterized only.

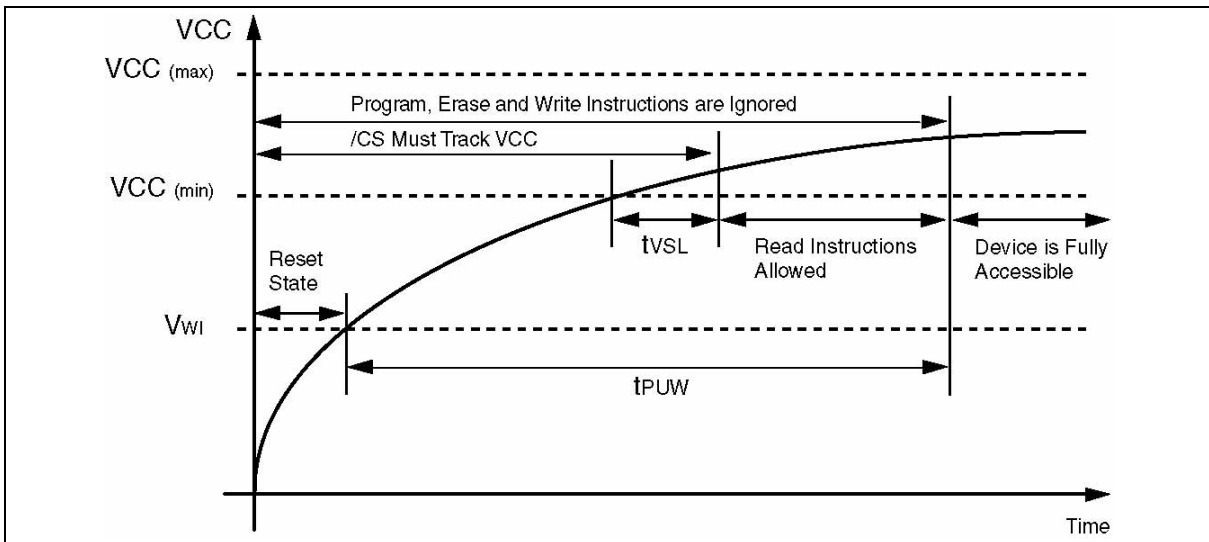


Figure 20. Power-up Timing and Voltage Levels

W25X16, W25X32, W25X64



12.5 DC Electrical Characteristics

PARAMETER	SYMBOL	CONDITIONS	SPEC			UNIT
			MIN	TYP	MAX	
Input Capacitance	C _{IN} ⁽¹⁾	V _{IN} = 0V ⁽²⁾			6	pf
Output Capacitance	C _{OUT} ⁽¹⁾	V _{OUT} = 0V ⁽²⁾			8	pf
Input Leakage	I _{LI}				±2	μA
I/O Leakage	I _{LO}				±2	μA
Standby Current	I _{CC1}	/CS = VCC, V _{IN} = GND or VCC		25	50	μA
Power-down Current	I _{CC2}	/CS = VCC, V _{IN} = GND or VCC		<1	10	μA
Current Read Data / Dual Output Read 1MHz ⁽²⁾	I _{CC3}	C = 0.1 VCC / 0.9 VCC DO = Open		4/5	6/7.5	mA
Current Read Data / Dual Output Read 33MHz ⁽²⁾	I _{CC3}	C = 0.1 VCC / 0.9 VCC DO = Open		6/7	9/10	mA
Current Read Data / Dual Output Read 50MHz ⁽²⁾	I _{CC3}	C = 0.1 VCC / 0.9 VCC DO = Open		7/8	10/12	mA
Current Read Data / Dual Output Read 75MHz ⁽²⁾	I _{CC3}	C = 0.1 VCC / 0.9 VCC DO = Open		10/11	15/16.5	mA
Current Page Program	I _{CC4}	/CS = VCC		20	25	mA
Current Write Status Register	I _{CC5}	/CS = VCC		8	12	mA
Current Sector/Block Erase	I _{CC6}	/CS = VCC		20	25	mA
Current Chip Erase	I _{CC7}	/CS = VCC		20	25	mA
Input Low Voltage	V _{IL}		-0.5		VCC x 0.3	V
Input High Voltage	V _{IH}		VCC x 0.7		VCC + 0.4	V
Output Low Voltage	V _{OL}	I _{OL} = 1.6 mA			0.4	V
Output High Voltage	V _{OH}	I _{OH} = -100 μA	VCC - 0.2			V

Notes:

1. Tested on sample basis and specified through design and characterization data. TA=25° C, VCC 3V.
2. Checker Board Pattern.

W25X16, W25X32, W25X64



12.6 AC Measurement Conditions

PARAMETER	SYMBOL	SPEC		UNIT
		MIN	MAX	
Load Capacitance	CL		30	pF
Load Capacitance for FR ₁ only			15	
Input Rise and Fall Times	T _R , T _F		5	ns
Input Pulse Voltages	V _{IN}	0.2 VCC to 0.8 VCC		V
Input Timing Reference Voltages	I _N	0.3 VCC to 0.7 VCC		V
Output Timing Reference Voltages	O _{UT}	0.5 VCC to 0.5 VCC		V

Note:

1. Output Hi-Z is defined as the point where data out is no longer driven.

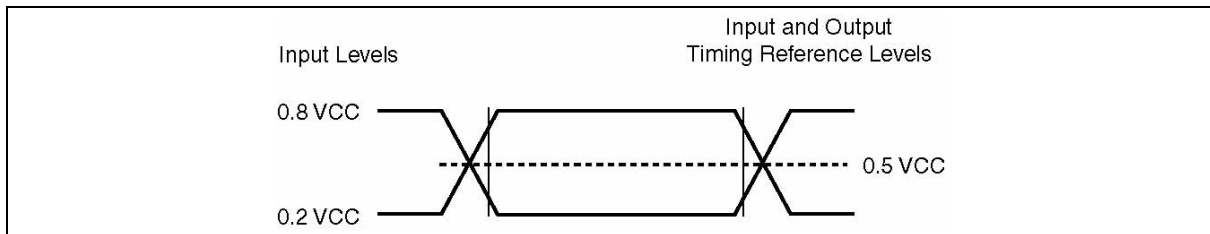


Figure 21. AC Measurement I/O Waveform

W25X16, W25X32, W25X64



12.7 AC Electrical Characteristics

DESCRIPTION	SYMBOL	ALT	SPEC			UNIT
			MIN	TYP	MAX	
Clock frequency for all instructions, except Read Data (03h) 2.7V-3.6V VCC & Industrial Temperature	F _R	f _C	D.C.		50	MHz
Clock frequency for all instructions, except Read Data (03h) 3.0V-3.6V VCC & Commercial Temperature	F _{R0} ⁽⁴⁾	f _{C0}	D.C.		70	MHz
Clock frequency, for Fast Read (0Bh, 3Bh) only 3.0V-3.6V VCC & Commercial Temperature	F _{R1} ⁽⁴⁾	f _{C1}	D.C.		75	MHz
Clock freq. Read Data instruction 03h	f _R		D.C.		33	MHz
Clock High, Low Time, for Fast Read (0Bh, 3Bh) / other instructions except Read Data (03h)	t _{CLH} , t _{CLL} ⁽¹⁾		6/7			ns
Clock High, Low Time for Read Data (03h) instruction	t _{CRLH} , t _{CRLL} ⁽¹⁾		8			ns
Clock Rise Time peak to peak	t _{CLCH} ⁽²⁾		0.1			V/ns
Clock Fall Time peak to peak	t _{CHCL} ⁽²⁾		0.1			V/ns
/CS Active Setup Time relative to CLK	t _{SLCH}	t _{CSS}	5			ns
/CS Not Active Hold Time relative to CLK	t _{CHSL}		5			ns
Data In Setup Time	t _{DVCH}	t _{DSU}	2			ns
Data In Hold Time	t _{CHDX}	t _{DH}	5			ns
/CS Active Hold Time relative to CLK	t _{CHSH}		5			ns
/CS Not Active Setup Time relative to CLK	t _{SHCH}		5			ns
/CS Deselect Time	t _{SHSL}	t _{CSH}	100			ns
Output Disable Time	t _{SHQZ} ⁽²⁾	t _{DIS}			7	ns
Clock Low to Output Valid 2.7V-3.6V / 3.0V-3.6V	t _{CLQV}	t _V			7 / 6	ns
Output Hold Time	t _{CLQX}	t _{HO}	0			ns

Continued – next page

W25X16, W25X32, W25X64



12.8 AC Electrical Characteristics (cont'd)

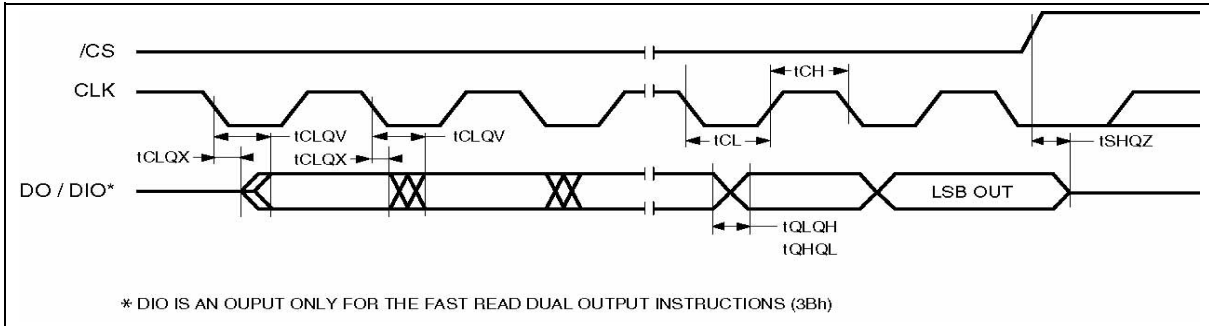
DESCRIPTION	SYMBOL	ALT	SPEC			UNIT
			MIN	TYP	MAX	
/HOLD Active Setup Time relative to CLK	tHLCH		5			ns
/HOLD Active Hold Time relative to CLK	tCHHH		5			ns
/HOLD Not Active Setup Time relative to CLK	tHHCH		5			ns
/HOLD Not Active Hold Time relative to CLK	tCHHL		5			ns
/HOLD to Output Low-Z	tHHQX ⁽²⁾	tLZ			7	ns
/HOLD to Output High-Z	tHLQZ ⁽²⁾	tHZ			12	ns
Write Protect Setup Time Before /CS Low	tWHSL ⁽³⁾		20			ns
Write Protect Hold Time After /CS High	tSHWL ⁽³⁾		100			ns
/CS High to Power-down Mode	tDP ⁽²⁾				3	μs
/CS High to Standby Mode without Electronic Signature Read	tRES1 ⁽²⁾				3	μs
/CS High to Standby Mode with Electronic Signature Read	tRES2 ⁽²⁾				1.8	μs
Write Status Register Time	tW			10	15	ms
Byte Program Time (First Byte) ⁽⁵⁾	t _{BP1}			100	150	μs
Additional Byte Program Time (After First Byte) ⁽⁵⁾	t _{BP2}			6	12	μs
Page Program Time	tPP			1.6	3	ms
Sector Erase Time (4KB)	tSE			150	300	ms
Block Erase Time (64KB)	tBE			0.8	2	s
Chip Erase Time W25X16	tCE			25	40	s
Chip Erase Time W25X32				40	80	s
Chip Erase Time W25X64				40	100	s

Notes:

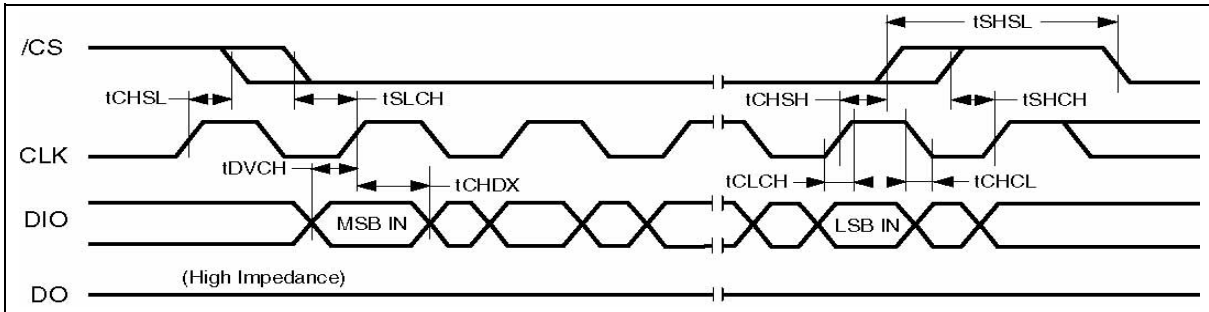
1. Clock high + Clock low must be less than or equal to 1/fc.
2. Value guaranteed by design and/or characterization, not 100% tested in production.
3. Only applicable as a constraint for a Write Status Register instruction when Sector Protect Bit is set to 1.
4. Commercial temperature only applies to Fast Read (F_{R0} & F_{R1}). Industrial temperature applies to all other parameters.
5. For multiple bytes after first byte within a page, t_{BP_N} = t_{BP1} + t_{BP2}*N (typical) and t_{BP_N} = t_{BP1} + t_{BP2}*N (max), where N = number of bytes programmed.



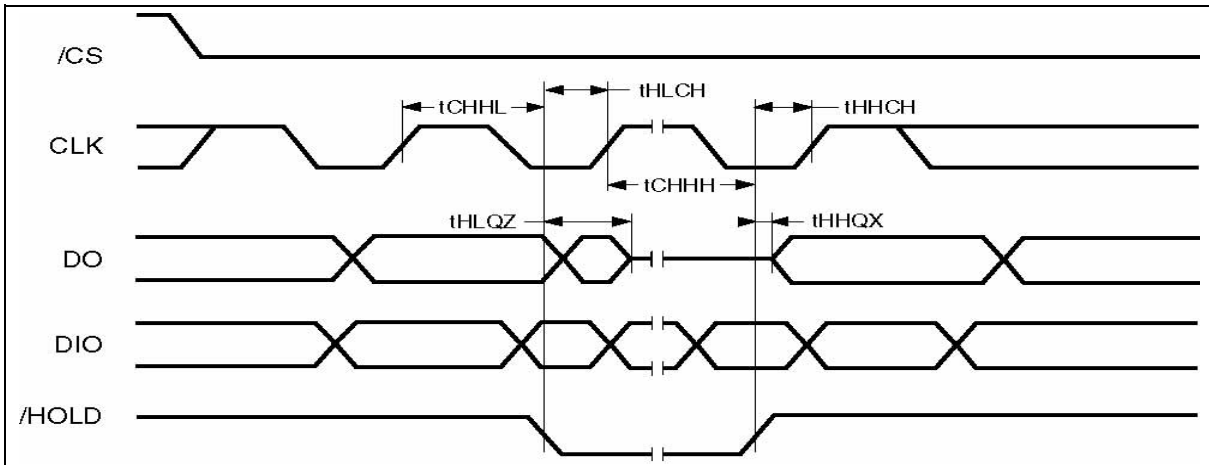
12.9 Serial Output Timing



12.10 Input Timing



12.11 Hold Timing

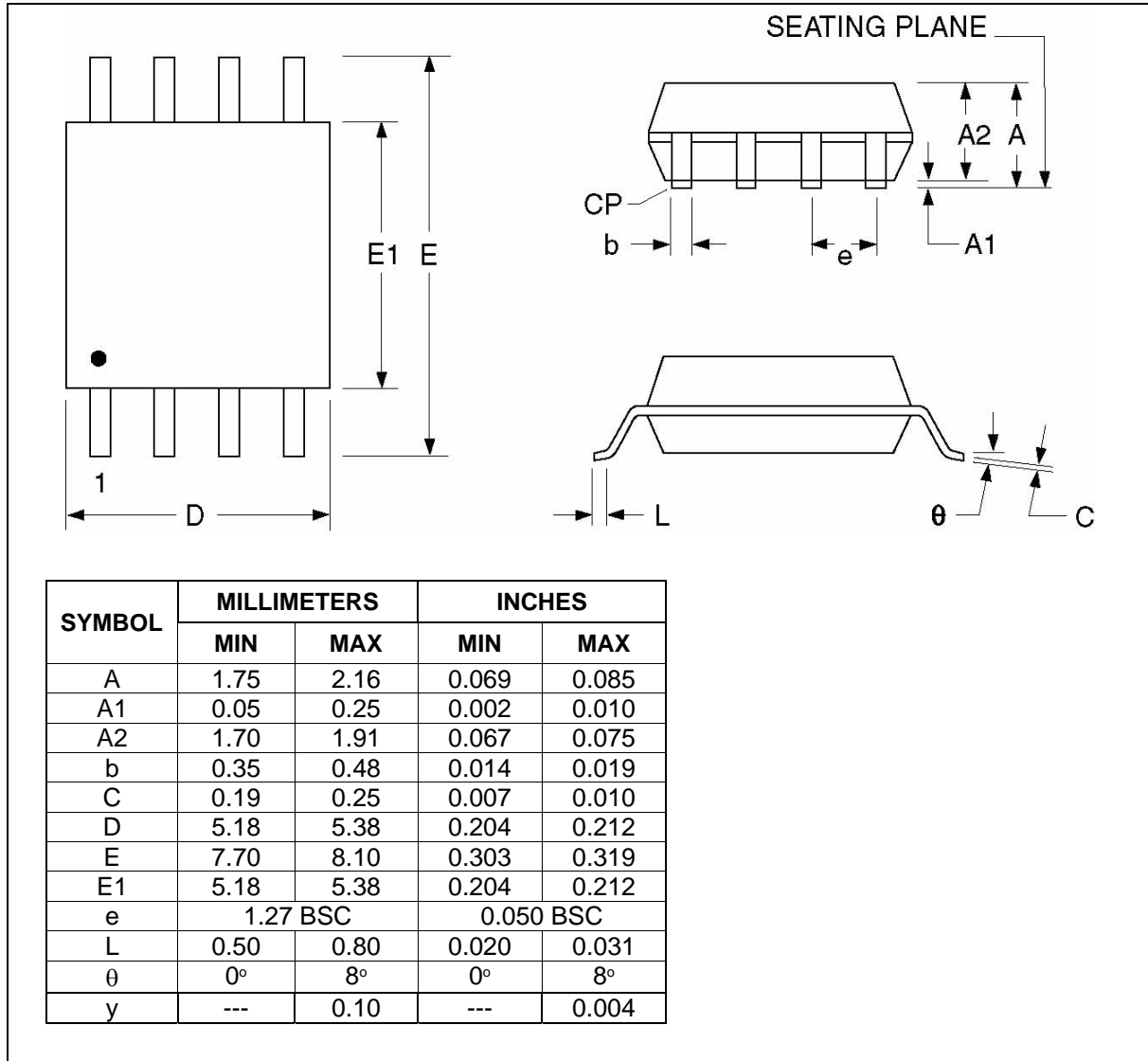


W25X16, W25X32, W25X64



13. PACKAGE SPECIFICATION

13.1 8-Pin SOIC 208-mil (Package Code SS)



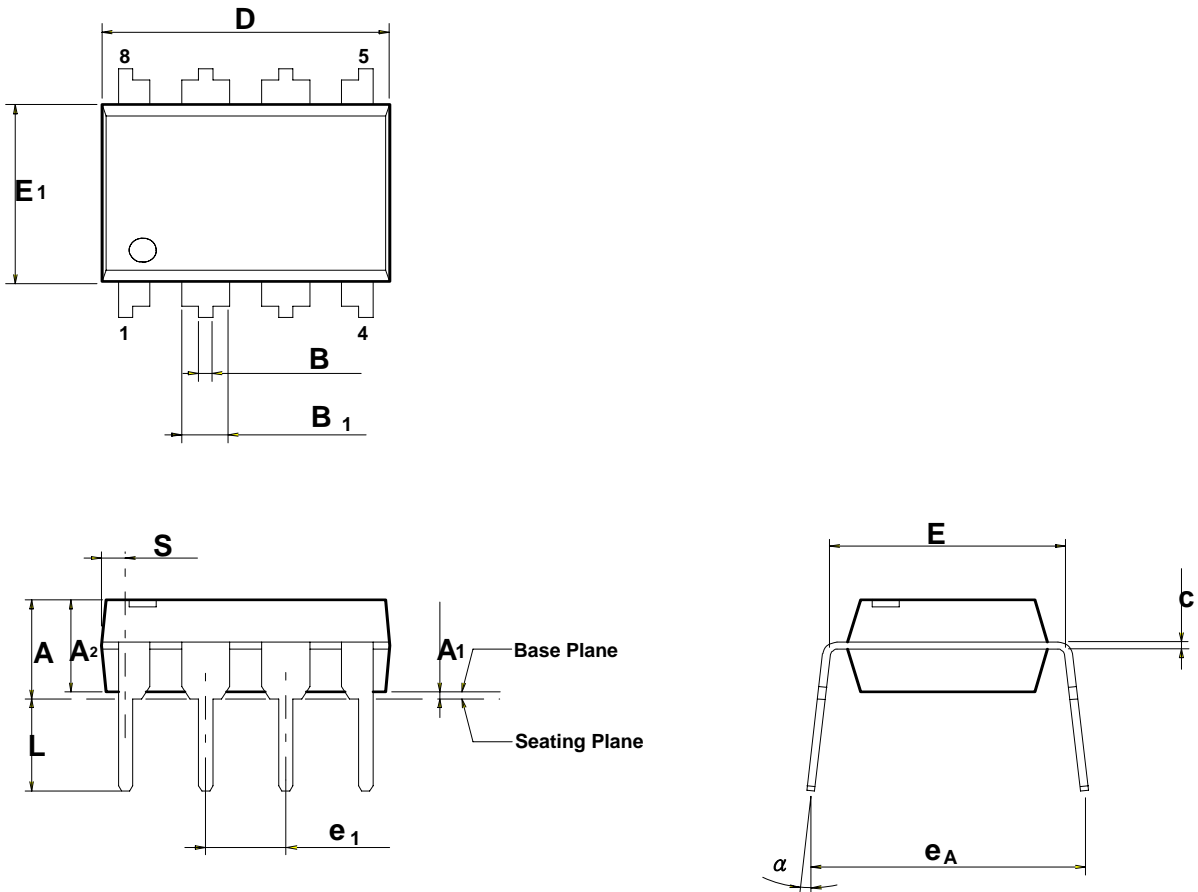
Notes:

1. Controlling dimensions: inches, unless otherwise specified.
2. BSC = Basic lead spacing between centers.
3. Dimensions D and E1 do not include mold flash protrusions and should be measured from the bottom of the package.
4. Formed leads shall be planar with respect to one another within .0004 inches at the seating plane.

W25X16, W25X32, W25X64



13.2 8-Pin PDIP 300-mil (Package Code DA)



Symbol	Dimension in inch			Dimension in mm		
	Min	Nom	Max	Min	Nom	Max
A	—	—	0.175	—	—	4.45
A₁	0.010	—	—	0.25	—	—
A₂	0.125	0.130	0.135	3.18	3.30	3.43
B	0.016	0.018	0.022	0.41	0.46	0.56
B₁	0.058	0.060	0.064	1.47	1.52	1.63
c	0.008	0.010	0.014	0.20	0.25	0.36
D	—	0.360	0.380	—	9.14	9.65
E	0.290	0.300	0.310	7.37	7.62	7.87
E₁	0.245	0.250	0.255	6.22	6.35	6.48
e₁	0.090	0.100	0.110	2.29	2.54	2.79
L	0.120	0.130	0.140	3.05	3.30	3.56
α	0	—	15	0	—	15
e_A	0.335	0.355	0.375	8.51	9.02	9.53
S	—	—	0.045	—	—	1.14

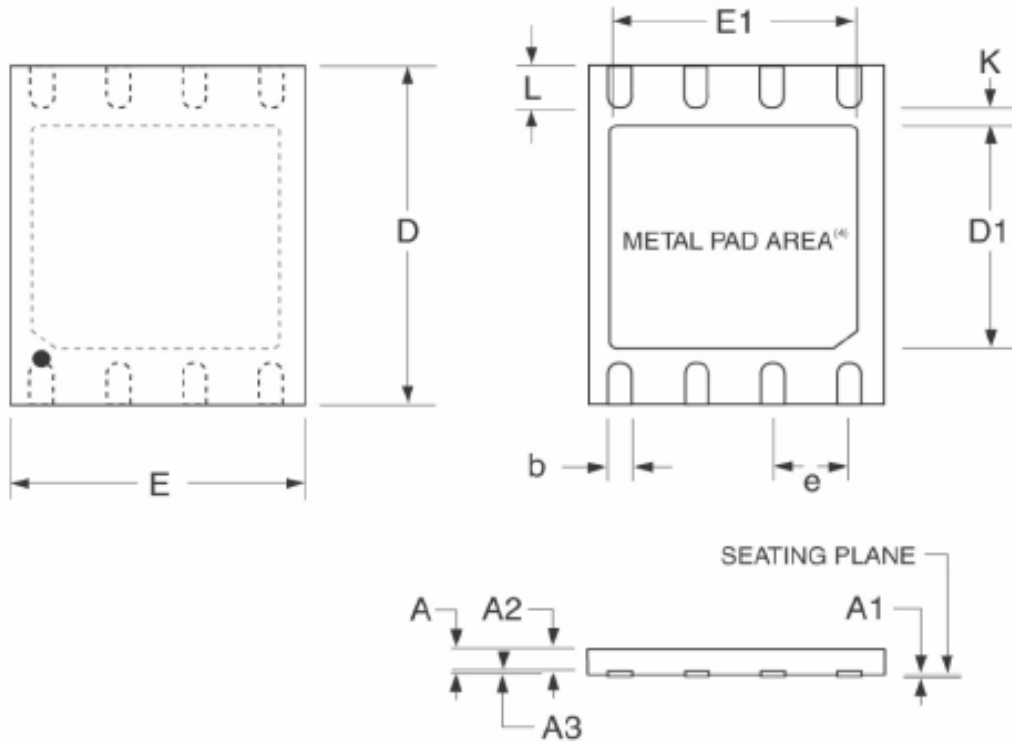
Publication Release Date:

February 26, 2007, Revision E

W25X16, W25X32, W25X64



13.3 8-contact 6x5 WSON

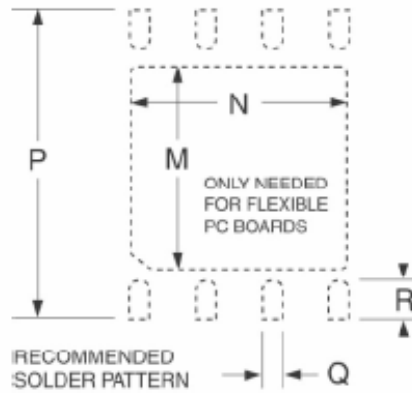


SYMBOL	MILLIMETERS			INCHES		
	MIN	TYP.	MAX	MIN	TYP.	MAX
A	0.70	0.75	0.80	0.0276	0.0295	0.0315
A1	0.00	0.02	0.05	0.0000	0.0008	0.0019
A2		0.55			0.0126	
A3	0.19	0.20	0.25	0.0075	0.0080	0.0098
b	0.36	0.40	0.48	0.0138	0.0157	0.0190
D ⁽³⁾	5.90	6.00	6.10	0.2320	0.2360	0.2400
D1	3.30	3.40	3.50	0.1299	0.1338	0.1377
E	4.90	5.00	5.10	0.1930	0.1970	0.2010
E1 ⁽³⁾	4.20	4.30	4.40	0.1653	0.1692	0.1732
e ⁽²⁾	1.27 BSC			0.0500 BSC		
K	0.20			0.0080		
L	0.50	0.60	0.75	0.0197	0.0236	0.0295

W25X16, W25X32, W25X64



13.4 8-contact 6x5 WSON Cont'd.



SYMBOL	MILLIMETERS			INCHES		
	MIN	TYP.	MAX	MIN	TYP.	MAX
SOLDER PATTERN						
M		3.40			0.1338	
N		4.30			0.1692	
P		6.00			0.2360	
Q		0.50			0.0196	
R		0.75			0.0255	

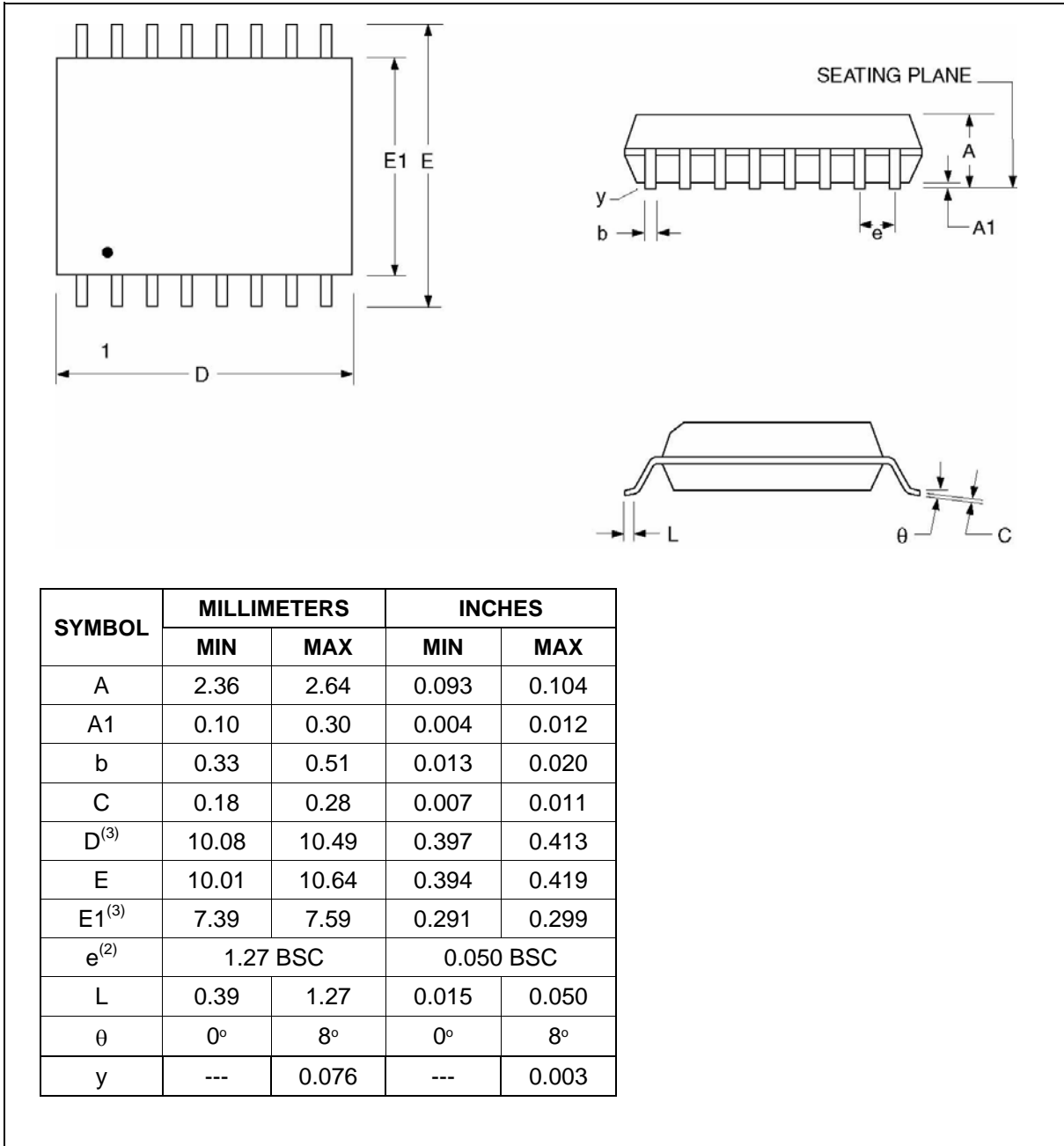
Notes:

1. Advanced Packaging Information; please contact Winbond for the latest minimum and maximum specifications.
2. BSC = Basic lead spacing between centers.
3. Dimensions D and E1 do not include mold flash protrusions and should be measured from the bottom of the package.
4. The metal pad area on the bottom center of the package is connected to the device ground (GND pin). Avoid placement of exposed PCB vias under the pad.

W25X16, W25X32, W25X64



13.5 16-Pin SOIC 300-mil (Winbond Package Code SF)



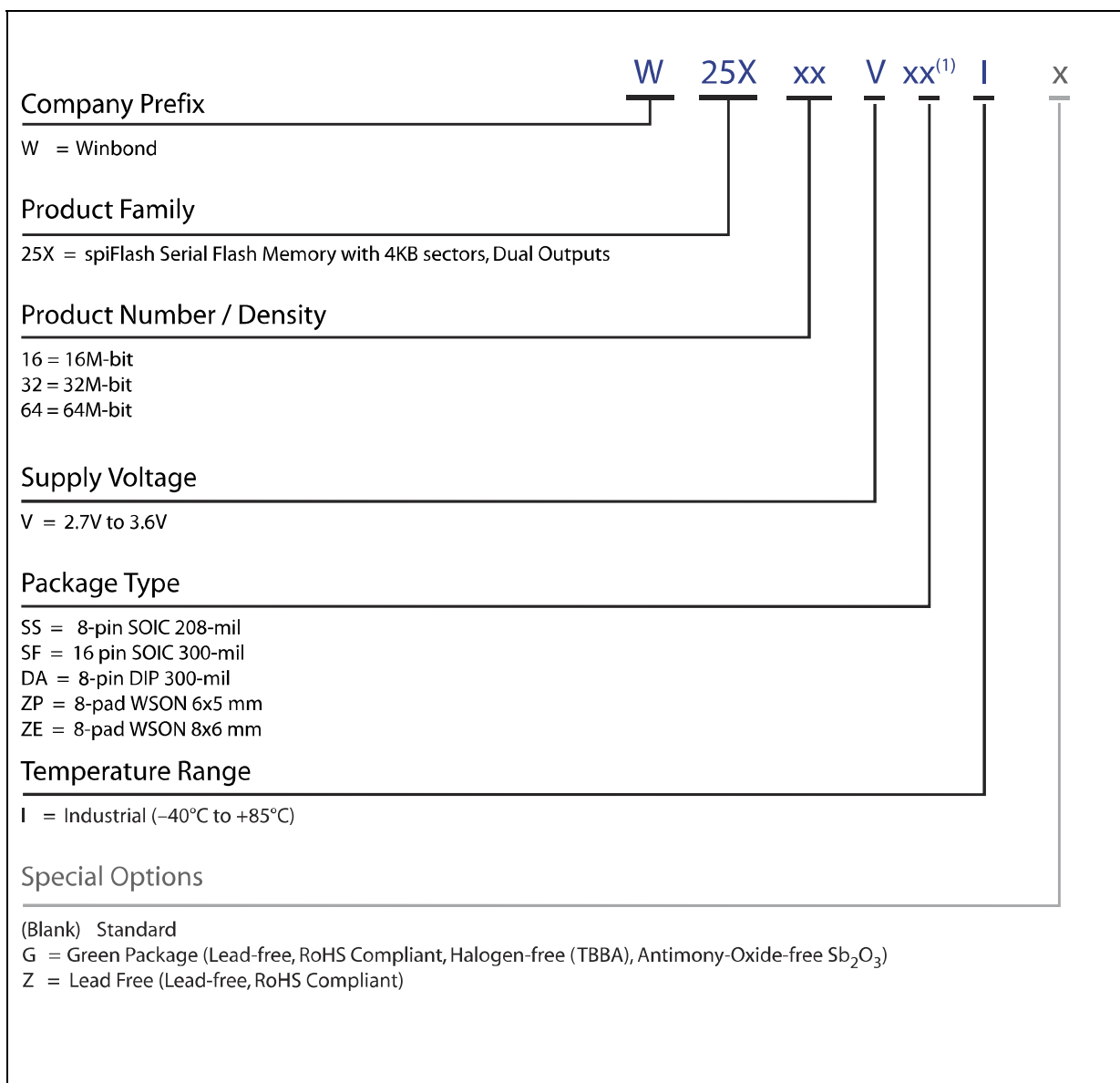
Notes:

1. Controlling dimensions: inches, unless otherwise specified.
2. BSC = Basic lead spacing between centers.
3. Dimensions D and E1 do not include mold flash protrusions and should be measured from the bottom of the package.

W25X16, W25X32, W25X64



14. ORDERING INFORMATION ⁽¹⁾



Notes:

- 1a. Only the 2nd letter is used for the part marking.
- 1b. Standard bulk shipments are in Tube (shape E). Please specify alternate packing method, such as Tape and Reel (shape T), when placing orders.
- 1c. The "W" prefix is not included on the part marking.

Valid Combinations for W25X16/32/64:

W25X16VSSIG
W25X16VSFIG
W25X16VDAIG
W25X16VZPIG

W25X32VSSIG
W25X32VSFIG
W25X32VDAIG
W25X32VZEIG

W25X64VSFIG
W25X64VDAIG
W25X64VZEIG

W25X16, W25X32, W25X64



15. REVISION HISTORY

VERSION	DATE	PAGE	DESCRIPTION
A	02/13/06		New Create
B	06/28/06	1-4, 6, 32-36, 41, 42	Added W25X64 in the product family of W25X16/32/64. Added 300mil PDIP package. Added 6x5 mm WSON package. Updated Endurance and Data Retention table (11.3), ICC's in DC Parameter table (11.5 & 11.6). Reduced tPP (max) from 5mS to 3mS. Changed tSHCH from 5nS to 0nS. Added byte programming parameters (tBP1 & tBPn. Added additional byte programming parameter, tBP2 and moved multiple byte programming tBPn with formula to foot note.
C	10/19/06	18, 35, 37 & 45	Changed tCHSH and tSHCH respectively from 10nS and 0nS to 5nS to 5nS. Modified to the ordering information table to eliminate the hyphen in the part number. Corrected Write Enable/Disable text. Change ICC2 from 5uA to 10uA.. Added footnotes in the ordering information table. Changed ICC3 specs: 33Mhz (typ): from 10/10mA to 10/13mA 50Mhz (typ): from 10/15mA to 12/15mA 50Mhz (max): from 15/20mA to 17/22mA
D	2/1/07	4 - 8 & 45	Updated package and ordering information.
E	2/26/07	6-9, 29, 33, 35, 38 & 45	Updated Figure 2. Updated ICC3 specs: 1MHz (typ): from 5/8mA to 4/5mA 1MHz (max): from 10/12mA to 6/7.5mA 33MHz (typ): from 10/13mA to 6/7mA 33MHz (max): from 15/20mA to 9/10mA 50MHz (typ): from 12/15mA to 7/8mA 50MHz (max): from 17/22mA to 10/12mA 75MHz (typ): from 15/20mA to 10/11mA 75MHz (max): from 20/25mA to 15/16.5mA Added Valid Combinations for ordering info. Added transient voltage specification. Removed preliminary designation for 25X16. Updated typical ratings on erase operations.

W25X16, W25X32, W25X64



Preliminary Designation

The "Preliminary" designation on a *Winbond* datasheet indicates that the product is not fully characterized. The specifications are subject to change and are not guaranteed. *Winbond* or an authorized sales representative should be consulted for current information before using this product.

Trademarks

Winbond and *spiFlash* are trademarks of *Winbond Electronics Corporation*. All other marks are the property of their respective owner.

Important Notice

Winbond products are not designed, intended, authorized or warranted for use as components in systems or equipment intended for surgical implantation, atomic energy control instruments, airplane or spaceship instruments, transportation instruments, traffic signal instruments, combustion control instruments, or for other applications intended to support or sustain life. Further more, Winbond products are not intended for applications wherein failure of Winbond products could result or lead to a situation wherein personal injury, death or severe property or environmental damage could occur. Winbond customers using or selling these products for use in such applications do so at their own risk and agree to fully indemnify Winbond for any damages resulting from such improper use or sales.

Information in this document is provided solely in connection with Winbond products. Winbond reserves the right to make changes, corrections, modifications or improvements to this document and the products and services described herein at any time, without notice.



Headquarters

No. 4, Creation Rd. III,
Science-Based Industrial Park,
Hsinchu, Taiwan
TEL: 886-3-5770066
FAX: 886-3-5665577
<http://www.winbond.com.tw/>

Taipei Office

9F, No.480, Rueiguang Rd.,
Neihu District, Taipei, 114,
Taiwan, R.O.C.
TEL: 886-2-8177-7168
FAX: 886-2-8751-3579

Winbond Electronics Corporation America

2727 North First Street, San Jose,
CA 95134, U.S.A.
TEL: 1-408-9436666
FAX: 1-408-5441798

Winbond Electronics Corporation Japan

7F Daini-ueno BLDG, 3-7-18
Shinyokohama Kohoku-ku,
Yokohama, 222-0033
TEL: 81-45-4781881
FAX: 81-45-4781800

Winbond Electronics (Shanghai) Ltd.

27F, 2299 Yan An W. Rd. Shanghai,
200336 China
TEL: 86-21-62365999
FAX: 86-21-62365998

Winbond Electronics (H.K.) Ltd.

Unit 9-15, 22F, Millennium City,
No. 378 Kwun Tong Rd.,
Kowloon, Hong Kong
TEL: 852-27513100
FAX: 852-27552064

*Please note that all data and specifications are subject to change without notice.
All the trademarks of products and companies mentioned in this datasheet belong to their respective owners.*