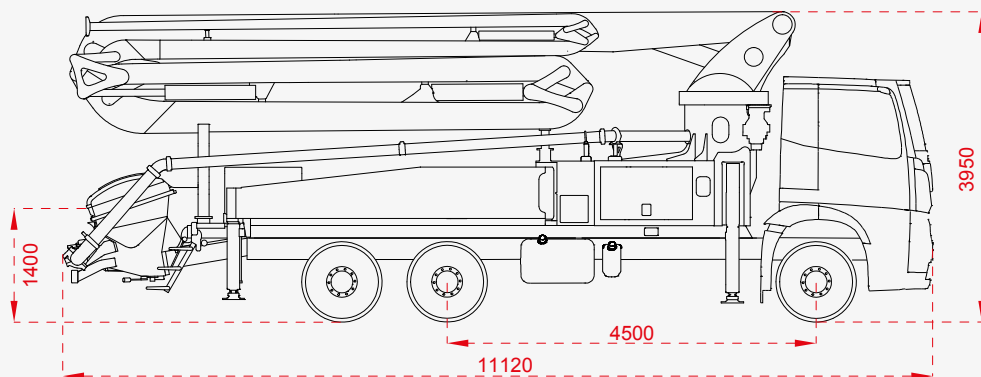


TRUCK MOUNTED CONCRETE PUMPS

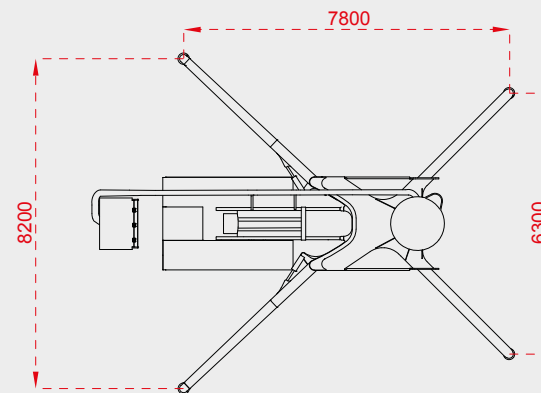
# H 40 5RZ



## ● TECHNICAL DETAILS



## ● SUPPORT LEGS DIMENSIONS



## ● PUMP GROUP

	Standard BST 40.14-5RZ	Optional BST 40.16-5RZ
Theo. Concrete Output (max) (Rod Side)	140 m <sup>3</sup> / h	160 m <sup>3</sup> / h
Theo. Concrete Pressure (max) (Rod Side)	81 bar	81 bar
Stroke	26 stroke / min	26 stroke / min
Concrete Cylinder Dimensions	230 mm x 2100 mm	250 mm x 2100 mm
Main Hydraulic Pump	2x A4 VG 125 (REXROTH)	2x A4 VG 125 (REXROTH)

## ● PUMP SPECIFICATIONS

Hopper Capacity	: 650 liter
Switching System	: Elect. Magn. Sensor
Concrete Valve	: S Valve System
Boom Pump	: A7V028 or A17F0045 (REXROTH)
Agitator Pump	: Included (ASC)

## ● STANDARD EQUIPMENTS

Smartstar Control System	: Included
Electric Box	: Water Proof and Computer Control
Proportional Remote Controller	: Included (HETRONIC)
End Hose	: 3 m
Water Pump	: Included, 4 m <sup>3</sup> /h
Water Tank Capacity (Material: Composite)	: 500 liter, 15 m hose with fittings
Lubrication System	: Hydraulic (LINCOLN and ALLFETT)

## ● OPTIONAL EQUIPMENTS

Driven by	: PTO or Gear Box
Vibrator	: Optional
Air Compressor	: Optional
Stability Control System	: Optional
End Hose Squeezer	: Optional
High Pressure Washing Pump	: Optional

## ● BOOM SYSTEM

Boom Type	: 5RZ
Vertical Reach (max)	: 39,5 m
Horizontal Reach (max)	: 34,7 m
Boom Unfolding Height (min)	: 8 m
1. Boom Length	: 9 m
2. Boom Length	: 6,6 m
3. Boom Length	: 6,3 m
4. Boom Length	: 6,5 m
5. Boom Length	: 6,6 m
Boom Swing Speed	: 113 sec
Boom Swinging Angle	: 365°
Concrete Pump Diameter	: 5"

## ● SUPPORT LEG SYSTEM

Front Legs	: Diagonal Folding
Rear Legs	: Side Hydraulic Swing
Distance of Front Legs (max)	: 6,3 m
Distance of Rear Legs (max)	: 8,2 m

## ● BOOM WORKING DIAGRAM

