

AUTOLIFT™



TWIN-ARM LIFTS

WELCOME TO AUTOLIFT

Autolift S.r.l. is a young, dynamic company. With twenty years of experience in the lifting sector, the company has specialized in the production of equipment for the disabled. Thanks to its highly specialized staff, cutting-edge technologies and full range of products, Autolift S.r.l. can meet the market demand for motor vehicle outfitting to serve the disabled, both for private and public use.

The company's mission focuses on:

- Ongoing research to find the best solutions to eliminate the barriers to access and transport for people with disabilities.
- Development and engineering of special devices to cover the full range of requirements from our global clientele.
- Produce aids that comply with current regulations concerning the disabled, first aid and public transport.
- Offer prompt, efficient service that enables installers to provide their customers with impeccable service both during installation and after-sales (warranty, spare parts, assistance).
- An offering that can even meet the needs of people with disabilities to board trains, ships and aircraft as per European regulations.
- Compliance of all our products with CE markings and regulations on electromagnetic compatibility. Each product, whether a lift or access step, comes not only with the relative manuals, but also with certificates of origin and conformity.

*“There’s a multitude of ways to lift something, the key is how you lift it.
Autolift... The lifts”*

Our internal lifts are completely automatic, twin-arm tail-lifts, which are fastened internally to the vehicle floor. These devices are suitable for side or rear installation, depending on the type of product and vehicle to be converted.

In this catalogue you will find:

Steel twin-arm lifts

Page 04 - 05 BB Series One-piece Platform

Page 06 - 07 SKY Series Horizontally Folding Platform

Page 08 - 09 BBW Series Vertically Folding Platform

Aluminium twin-arm lifts

Page 10 - 11 Presentation of PIUMA Series

Page 12 - 13 BAI Series One-piece Platform

Page 14 - 15 BAS Series Horizontally Folding Platform

BB Series

LIFTS WITH ONE-PIECE PLATFORM

Uniquely robust and reliable



The automatic, twin-arm, electro-hydraulic lifts in the BB Series have a one-piece platform. Thanks to a two-button control unit and the use of top quality materials, these devices are not only user friendly, they are also extremely reliable. Available in a wide range of sizes, they can be internally rear or side mounted in a wide variety of people carriers.

SPECIFICATIONS

- Movement powered by two hydraulic cylinders
- One-piece platform with anti-slip surface
- Anti-rust powder paint coating
- Self-lubricating bushings and pins
- Two-button control unit
- 12-24V Electrical System
- For use at temperatures between -30°C and +70°C
- Valid EMC accreditation (E50)
- EC standard compliant

SAFETY DEVICES

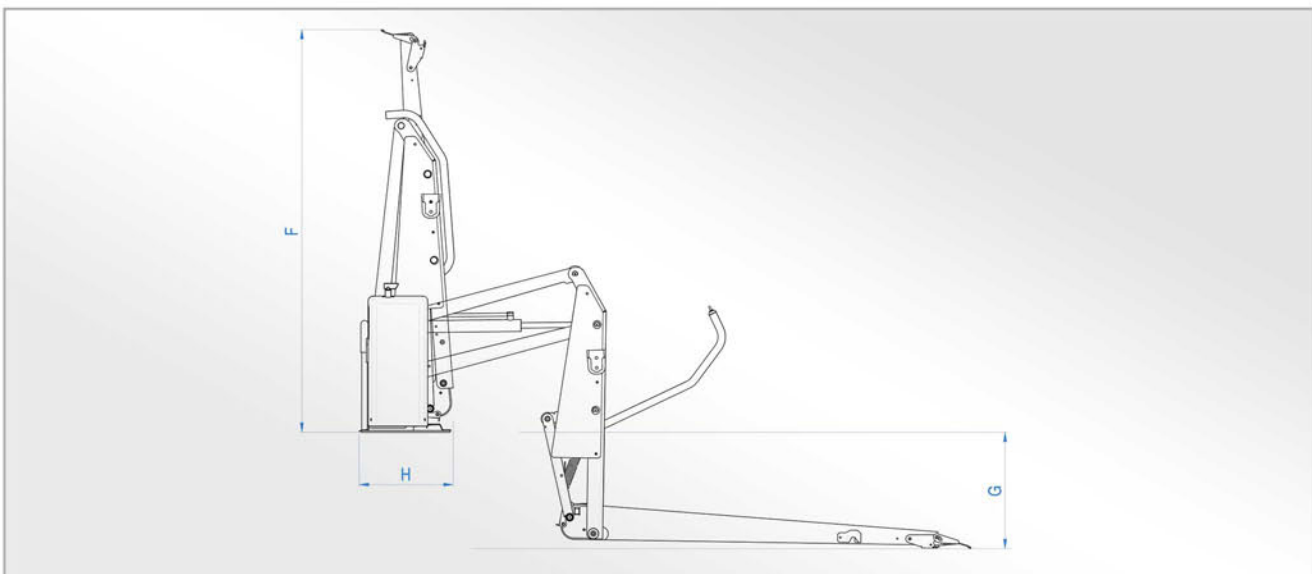
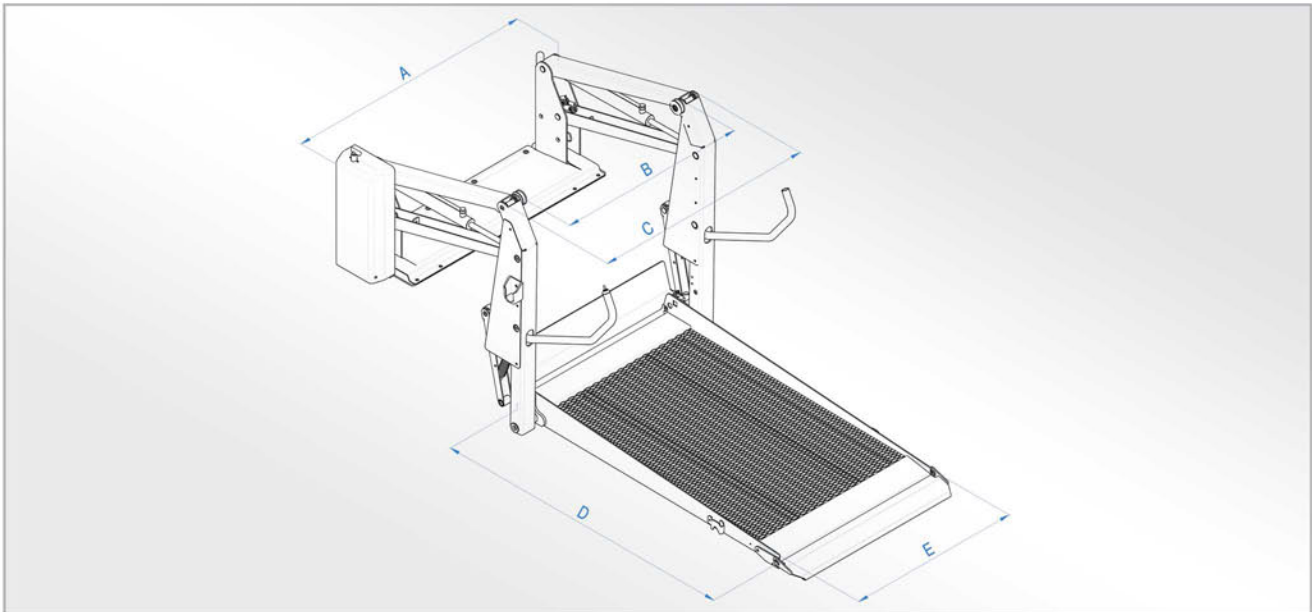
- Front roll-stop stop plate on the automatic loading platform
- Rear roll-stop stop plate on the automatic loading platform
- Anti-tilting control valve
- Automatic extendable/retractable handrails

EMERGENCY

- Emergency operation lift via auxiliary hydraulic pump
- Emergency descent by unlocking descent valve



Technical Features



	Stationary lift width	Clear entry width	Traveling frame lift	Clear platform length	Clear platform width	Overall lift height	Max loading height	Overall lift depth	Rated load capacity (Kg)	Lift weight (Kg)
	A	B	C	D	E	F	G	H		
BB 1150	1165	880	1030	1110	800	1210	920	350	350	148
BB 1350	1165	880	1030	1300	800	1400	920	350	350	153
BB 1370	1265	970	1120	1370	900	1470	920	350	350	162
BB 1401	1265	970	1120	1395	900	1500	920	350	350	163
Special executions										
BB 1402	1265	970	1120	1395	900	1500	920	295	350	142

SKY Series

LIFTS WITH HORIZONTALLY FOLDING PLATFORM

The importance of good rear visibility



The automatic, twin-arm, electro-hydraulic lifts in the SKY Series have a horizontally folding platform. Thanks to a two-button control unit and the use of top quality materials, these devices are not only user friendly, they are also extremely reliable. Available in a wide range of sizes, they can be internally rear and side mounted in a wide variety of people carriers, whilst ensuring good visibility.

SPECIFICATIONS

- Movement powered by two hydraulic cylinders
- Horizontally folding platform with anti-slip surface
- Anti-rust powder paint coating
- Self-lubricating bushings and pins
- Two-button control unit
- 12-24V Electrical System
- For use at temperatures between -30°C and +70°C
- Valid EMC accreditation (E50)
- EC standard compliant



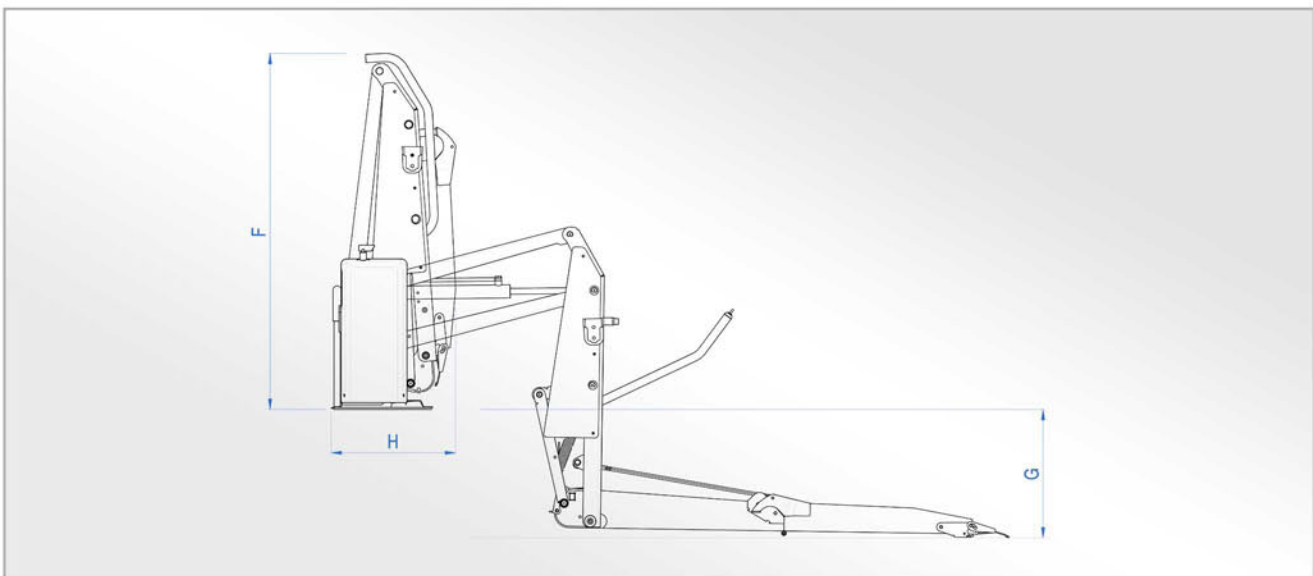
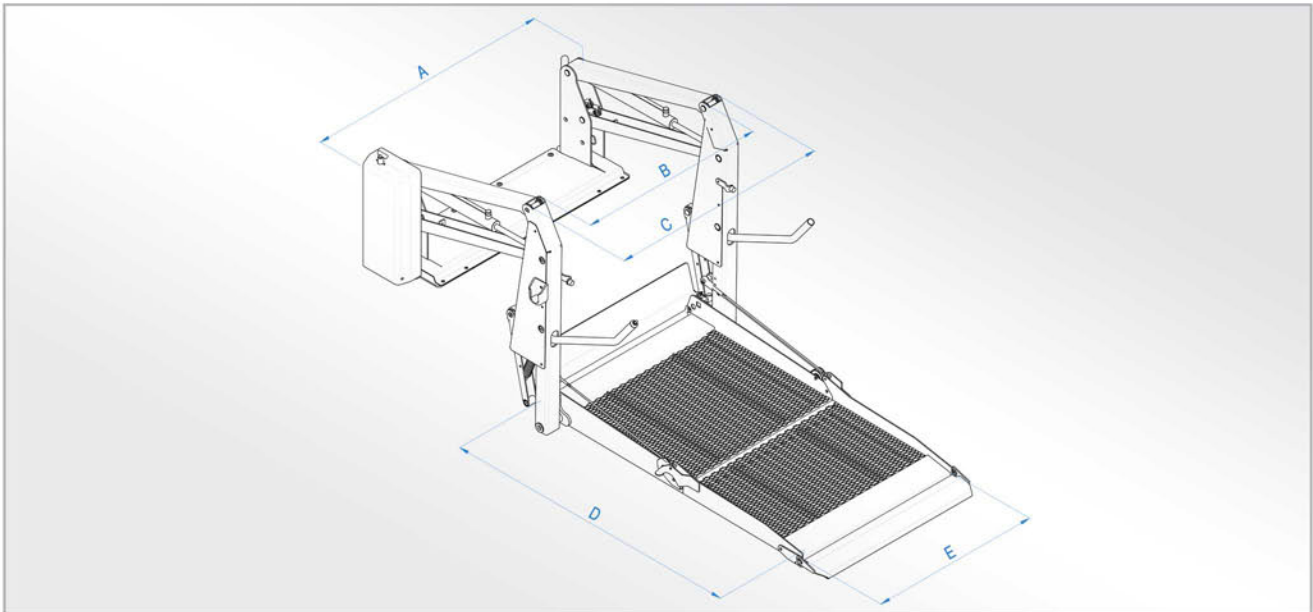
SAFETY DEVICES

- Front safety roll stop on the automatic loading platform
- Rear safety roll stop on the automatic loading platform
- Anti-tilting control valve
- Automatic extendable/retractable handrails

EMERGENCY

- Emergency operation lift via auxiliary hydraulic pump
- Emergency descent by unlocking descent valve

Technical Features



	Stationery lift width	Clear entry width	Traveling frame lift	Clear platform length	Clear platform width	Overall lift height	Max loading height	Overall lift depth	Rated load capacity (Kg)	Lift weight (Kg)
	A	B	C	D	E	F	G	H		
BBSM 1000	970	690	840	970	620	970	690	350	320	109
BBSL 1150	1085	790	940	1150	720	1130	880	350	320	122
BBS 1250	1165	880	1030	1250	800	1220	920	370	350	155
BBS 1395	1165	880	1030	1395	800	1220	920	370	350	156
BBS 1400	1265	970	1120	1395	900	1120	920	370	350	166

BBW Series

LIFTS WITH VERTICALLY FOLDING PLATFORM

Easy access and good visibility



The automatic, twin-arm, electro-hydraulic lifts in the BBW Series have a vertically folding platform. Thanks to a two-button control unit and the use of top quality materials, these devices are not only user friendly, they are also extremely reliable. Available in a wide range of sizes, they can be internally rear and side mounted in a wide variety of people carriers. These devices are unusual, as they not only guarantee good visibility, but also provide an additional access point.

SPECIFICATIONS

- Movement powered by two hydraulic cylinders
- Vertically folding platform with anti-slip surface
- Anti-rust powder paint coating
- Self-lubricating bushings and pins
- Two-button control unit
- 12-24V Electrical System
- For use at temperatures between -30°C and +70°C
- Valid EMC accreditation (E50)
- EC standard compliant



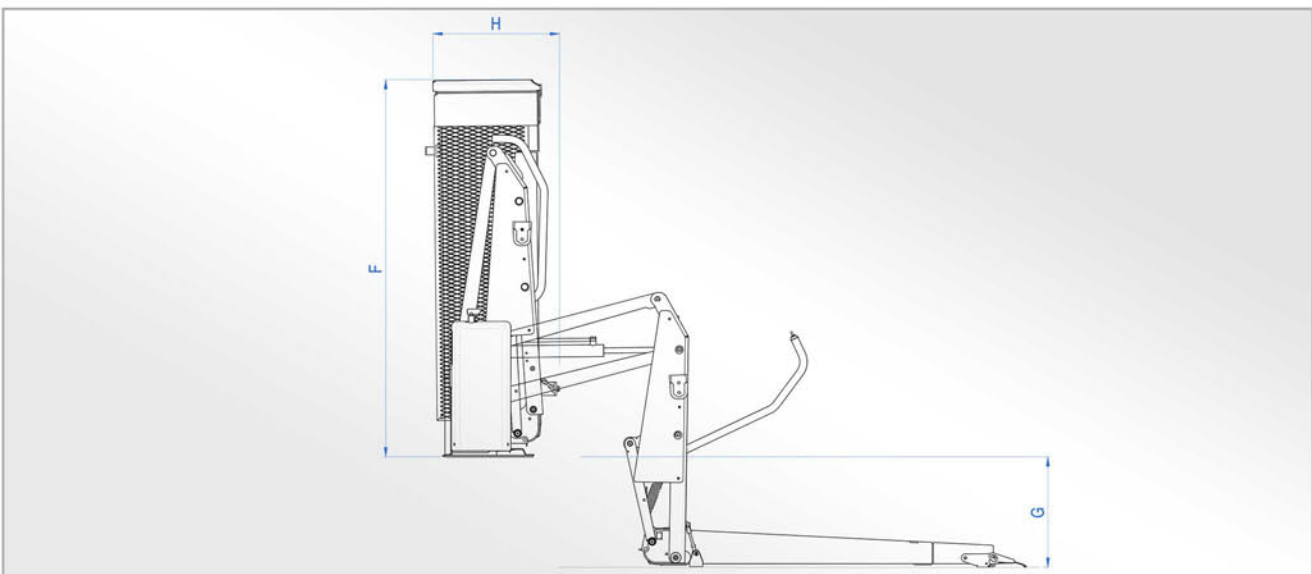
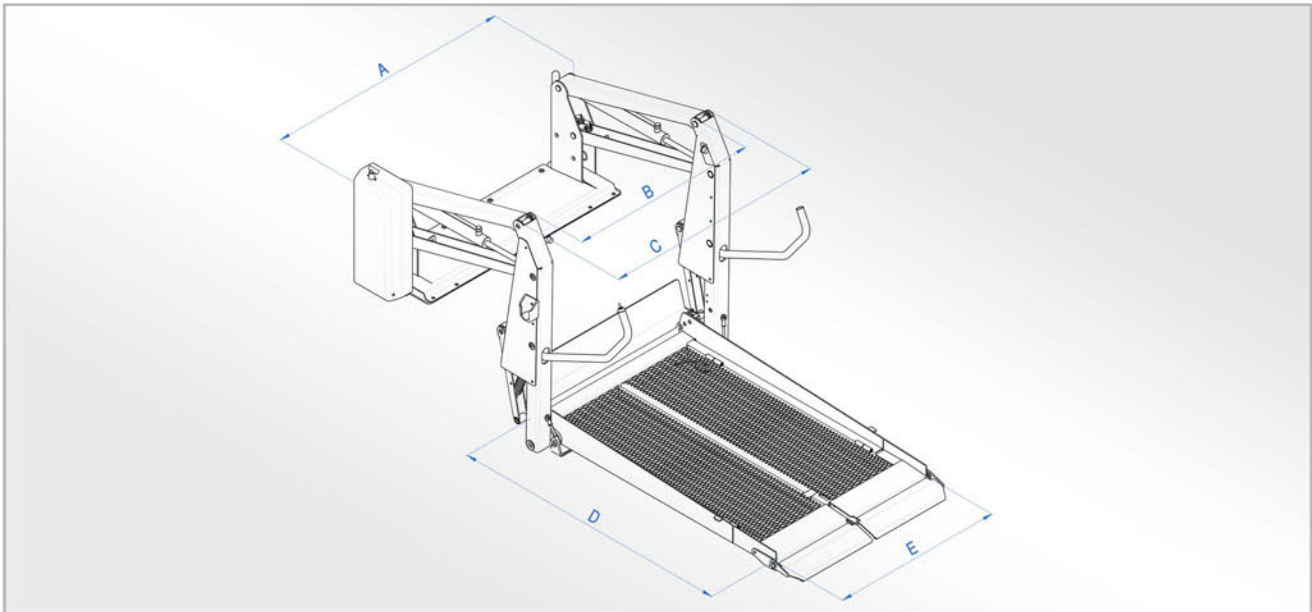
SAFETY DEVICES

- Front safety roll stop on the automatic loading platform
- Rear safety roll stop on the automatic loading platform
- Anti-tilting control valve
- Automatic extendable/retractable handrails

EMERGENCY

- Emergency operation lift via auxiliary hydraulic pump
- Emergency descent by unlocking descent valve

Technical Features



	Stationery lift width	Clear entry width	Traveling frame lift	Clear platform length	Clear platform width	Overall lift height	Max loading height	Overall lift depth	Rated load capacity (Kg)	Lift weight (Kg)
	A	B	C	D	E	F	G	H		
BBWM 905	970	690	840	915	645	1020	690	420	320	108
BBWL 1030	1085	790	940	1030	745	1180	880	485	320	126
BBW 1350	1165	880	1030	1300	800	1450	920	500	350	160
Special executions										
BBWL 1030C	1075	780	950	1030	745	1150	880	450	250	95
BBWL 1030T	1090	765	935	1030	745	1150	880	480	320	100
BBW 1350UK	1220	865	1035	1350	820	1450	880	520	400	145

PIUMA LIFT FEATURES

- Modern Design
- No Corrosion
- Flashing Lights integrated in the Arms
- Weight reduced up to 50%
- Increased Payload (1 more seat)
- Lower Fuel Consumption
- Environment Friendly through reduced CO2 Emissions
- Vehicle Improved Stability



ALSF
AUTOLIFT SPACE FRAME

Patents Pending

Lighter than



Lower fuel
consumption



Environment
friendly



100%
recyclable



made in
Italy

IMPROVEMENT OF VEHICLE EFFICIENCY

All car producers advice not to carry unnecessary loads in vehicle in order to reduce fuel consumption.

From our research we can estimate that the reduced weight of the PIUMA Lift can help to reduce the fuel consumption up to **0,3 lt/100km**.

On this base we can calculate following savings:

FUEL SAVING (Diesel Engines)

Year	Saving 10.000 Km / Year	20.000 Km / Year	30.000 Km / Year
1	45	90	135
2	90	180	270
3	135	270	405
4	180	360	540
5	225	450	675
6	270	540	810
7	315	630	945
8	360	720	1080
9	405	810	1215
10	450	900	1350
Total	450 Euro	900 Euro	1350 Euro

Reduction of CO2 Emission (1lt Diesel fuel = 2.650 g)

Year	Reduction by 10.000 Km / Year	20.000 Km / Year	30.000 Km / Year
1	79.500 g	159.000 g	238.500 g
2	159.000 g	318.000 g	477.000 g
3	238.500 g	477.000 g	715.000 g
4	318.000 g	636.000 g	954.000 g
5	397.000 g	795.000 g	1.192.500 g
6	477.000 g	954.000 g	1.431.000 g
7	556.500 g	1.113.000 g	1.669.500 g
8	636.000 g	1.272.000 g	1.908.000 g
9	715.500 g	1.431.000 g	2.146.500 g
10	795.000 g	1.590.000 g	2.380.500 g
Total	795.000 g	1.590.000 g	2.380.000 g

BAI Series

ALUMINIUM LIFTS WITH A ONE-PIECE PLATFORM

Lightweight yet robust



The electro-hydraulic lifts in the BAI Series have automatic, aluminium twin-arms and horizontal platform. Thanks to a two-button control unit and the use of top quality materials, these devices are not only user friendly, they are also extremely reliable. Available in a wide range of sizes, they can be internally rear or side mounted in a wide variety of people carriers. The aluminium structure of BAI lifts is completely corrosion proof and its light weight construction ensures considerable fuel saving, whilst remaining sturdy and reliable.

SPECIFICATIONS

- Movement powered by two hydraulic cylinders
- All-aluminium, one-piece platform with anti-slip surface
- Anti-rust powder paint coating
- Self-lubricating bushings and pins
- Two-button control unit
- 12-24V Electrical System
- For use at temperatures between -30°C and +70°C
- Valid EMC accreditation (E30)
- EC standard compliant
- 100% corrosion and rust proof



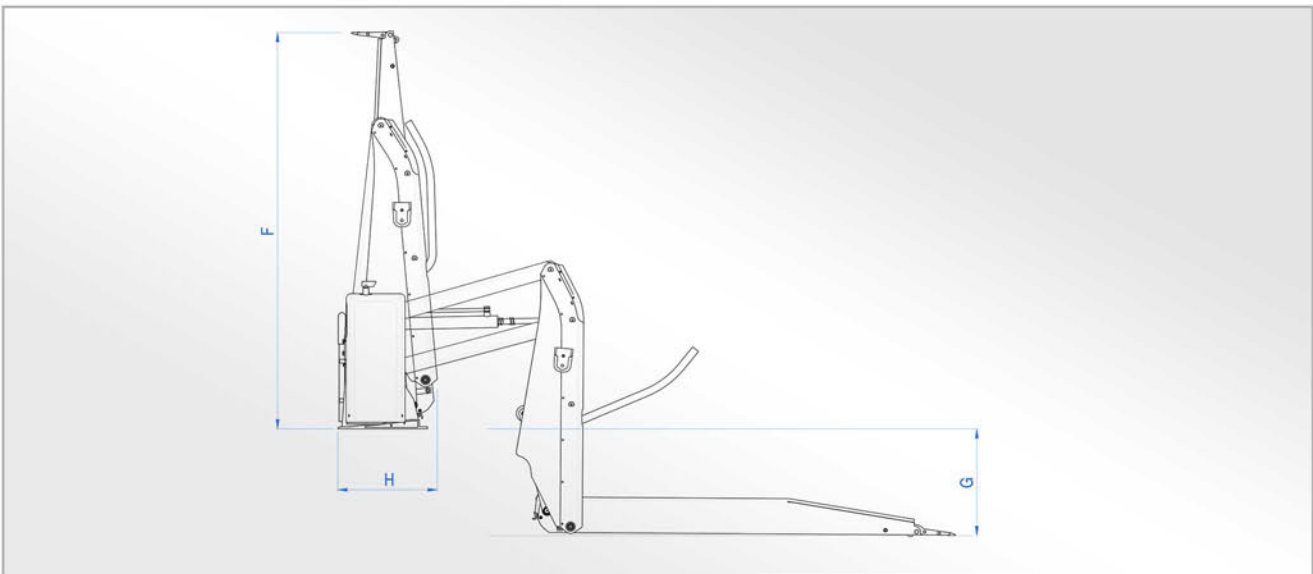
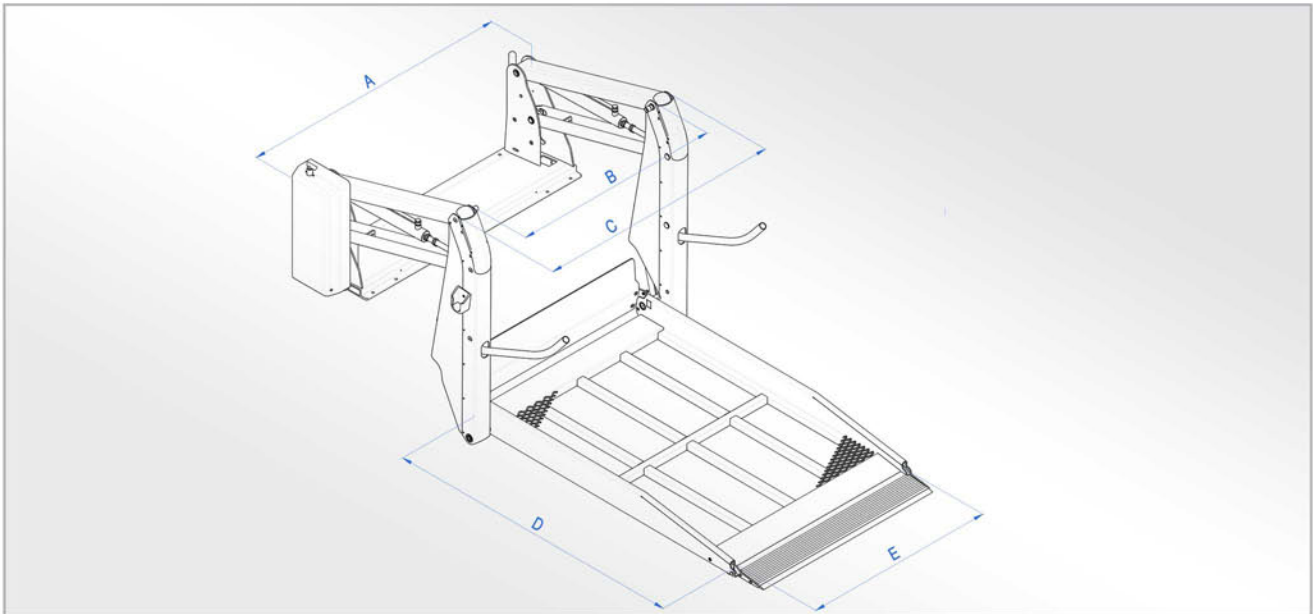
SAFETY DEVICES

- Front safety roll stop on the automatic loading platform
- Rear safety roll stop on the automatic loading platform
- Anti-tilting control valve
- Automatic extendable/retractable handrails

EMERGENCY

- Emergency operation lift via auxiliary hydraulic pump
- Emergency descent by unlocking descent valve

Technical Features



	Stationery lift width	Clear entry width	Traveling frame lift	Clear platform length	Clear platform width	Overall lift height	Max loading height	Overall lift depth	Rated load capacity (Kg)	Lift weight (Kg)
	A	B	C	D	E	F	G	H		
BAI 1401	1290	975	1145	1400	900	1525	920	370	350	104
Special executions										
BAI 1402	1290	975	1145	1400	900	1510	880	295	350	106

Lower fuel consumption



Environment friendly



made in
Italy



BAS Series

ALUMINIUM LIFTS WITH HORIZONTALLY FOLDING PLATFORM

Lightweight plus good visibility



The electro-hydraulic lifts in the BAS Series have automatic, aluminium twin-arms and horizontally foldable platform. Thanks to a two-button control unit and the use of top quality materials, these devices are not only user friendly, they are also extremely reliable. Available in a wide range of sizes, they can be internally rear or side mounted in a wide variety of people carriers. The aluminium structure of BAS lifts is completely corrosion proof and its light weight ensures considerable fuel saving, whilst remaining sturdy and reliable.

SPECIFICATIONS

- Movement powered by two hydraulic cylinders
- All-aluminium, horizontally folding platform with anti-slip surface
- Anti-rust powder paint coating
- Self-lubricating bushings and pins
- Two-button control unit
- 12-24V Electrical System
- For use at temperatures between -30°C and +70°C
- Valid EMC accreditation (E50)
- EC standard compliant
- 100% corrosion and rust proof



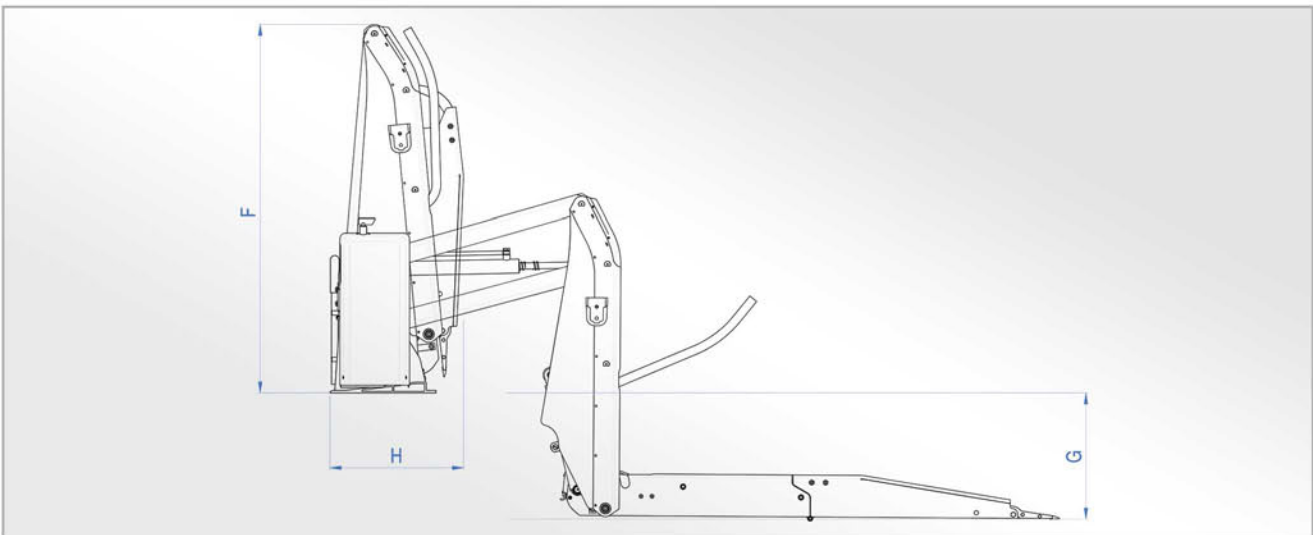
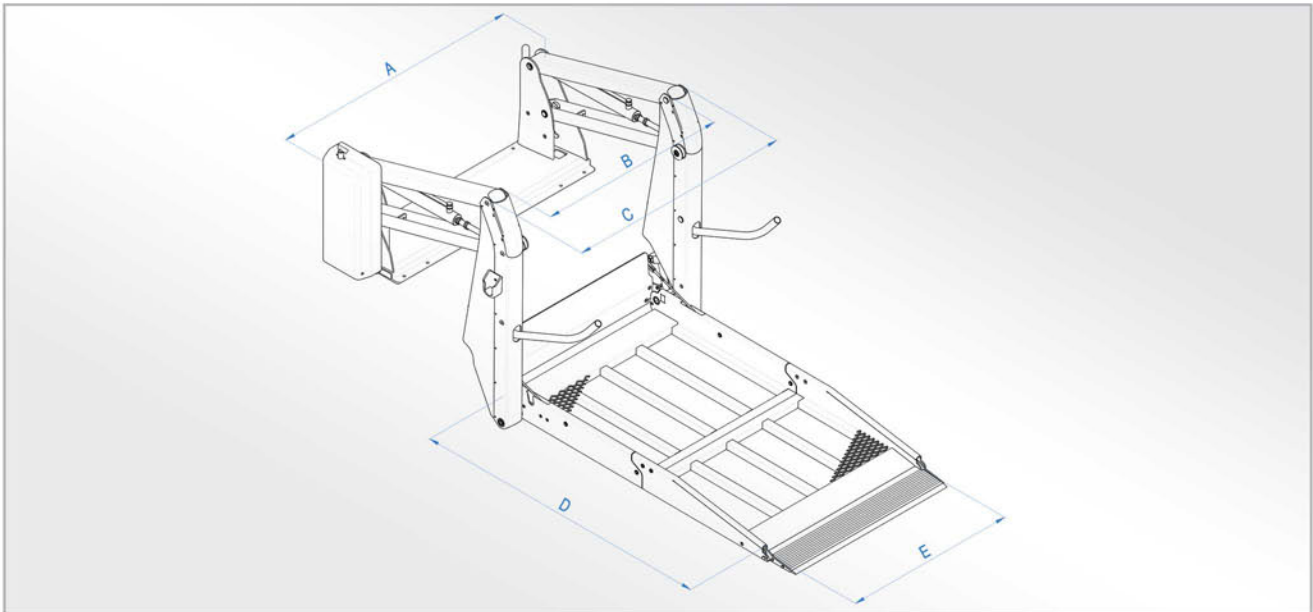
SAFETY DEVICES

- Front safety roll stop on the automatic loading platform
- Rear safety roll stop on the automatic loading platform
- Anti-tilting control valve
- Automatic extendable/retractable handrails

EMERGENCY

- Emergency operation lift via auxiliary hydraulic pump
- Emergency descent by unlocking descent valve

Technical Features



	Stationery lift width	Clear entry width	Traveling frame lift	Clear platform length	Clear platform width	Overall lift height	Max loading height	Overall lift depth	Rated load capacity (Kg)	Lift weight (Kg)
	A	B	C	D	E	F	G	H		
BAS 1150	1090	765	935	1115	700	1140	900	450	350	95
BAS 1395	1190	875	1045	1395	800	1190	920	450	350	109
Special executions										
BAS 1150E	1090	765	935	1115	700	1140	900	450	350	97
BAS 1395E	1190	875	1045	1395	800	1190	920	450	350	113

Lower fuel consumption

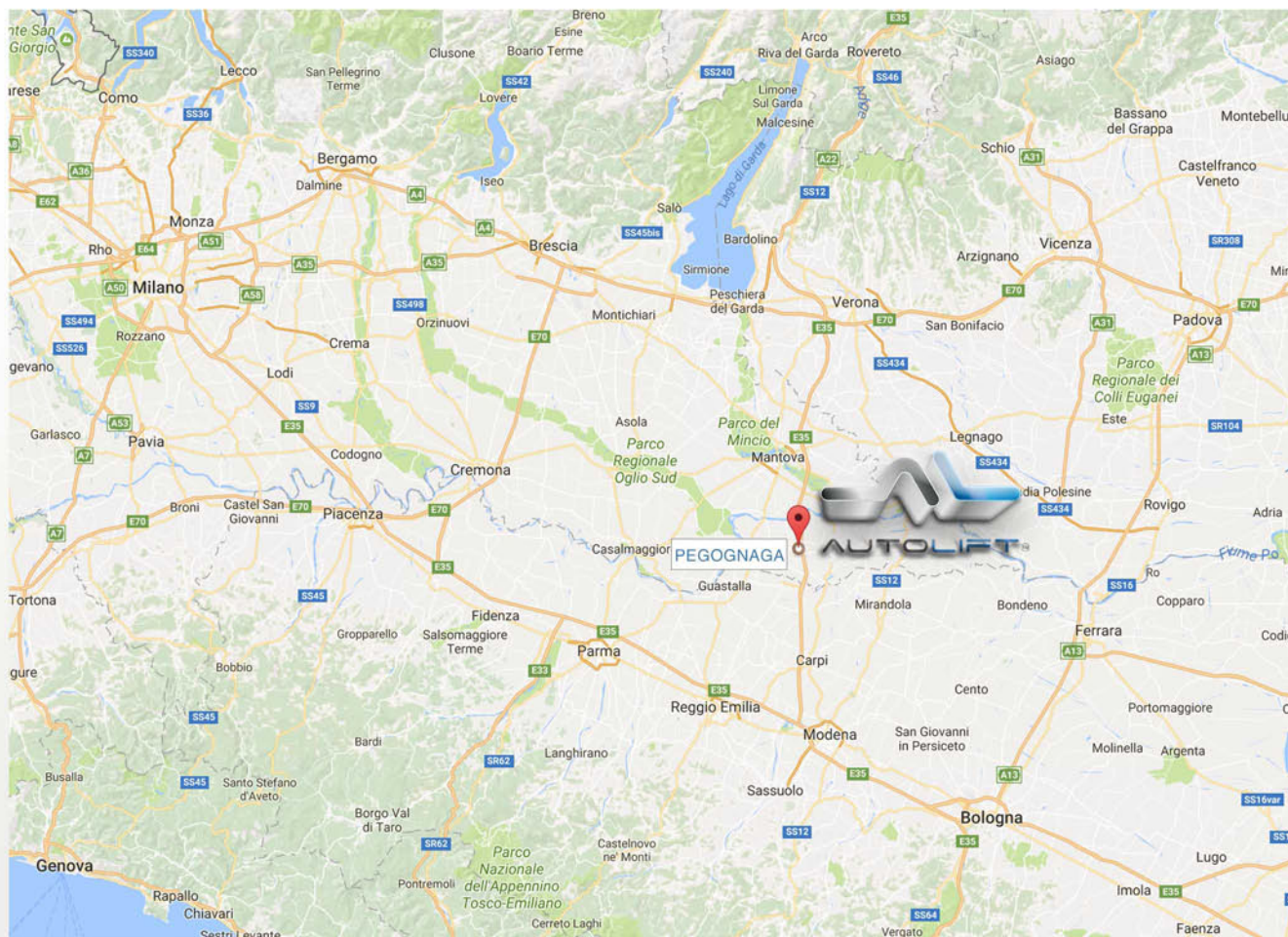


Environment friendly



made in
Italy

WHERE WE ARE



Autolift S.r.l. is the leading Italian manufacturer of lifts, steps and assistance equipment for the transportation of disabled persons.

All products are **MADE IN ITALY** and are marketed nationwide and throughout Europe. Our factory is located in Mantua, near the Pegognaga highway exit.

AUTOLIFT S.r.l.

Via Ferri 3, 46020 Pegognaga (MN)

Tel. +39 0376 550375 - Fax +39 0376 553728

info@autoliftsrl.com

WWW.AUTOLIFTSRL.COM