

RICON® CLASSIC LINE

RICON CLASSIC S-SERIES® AND K-SERIES® WHEELCHAIR LIFTS



The Industry
Standard
for Value and
Performance



Ricon®

Faiveley ACCESS & MOBILITY

A **Wabtec** company

K-Series



KlearVue™ Model – Platform automatically and safely folds horizontally for unobstructed driver and passenger views. Accommodates longer lift platform inside a standard door opening, ideal for side and rear-door applications.



Roller Bracket – Secures K platform folding brackets and locks outboard rollstop in place for quiet ride.



Linkage Springs – Reinforced springs provide reliable performance on uneven surfaces.

Innovation and Leadership Since 1971

Ricon Corporation is dedicated to the design and manufacture of innovative commercial access products that meet the growing demands of the transportation industry. Operating from modern facilities in Los Angeles, CA and Elkhart, IN, Ricon is the largest manufacturer of its kind in the world and a subsidiary of Wabtec Corporation and Faiveley Transport, leading global providers for the passenger transit and freight rail industries.

All Ricon paratransit designs are tested to meet or exceed the most rigorous elements of FMVSS 403/404, 49 CFR, part 38 (ADA), CSA D409, and the California Vehicle Code (CA Title 13).

Classic Performance, Reliability and Value

Safety, dependability and a space-saving footprint are important considerations when choosing wheelchair lifts to serve the growing community of mobility-challenged passengers, driver operators, school districts, transportation agencies and the OEM installer. Featuring the industry-leading Ricon Safety Zone, Classic S-Series and K-Series wheelchair lifts provide secure and reliable access transporting passengers across town or children to and from school. The standard for performance, value and ease of use, lightweight Classic designs comply with all applicable ADA and FMVSS regulations.

- 800-pound lift capacity
- KlearVue™ model maximizes visibility
- Easy to operate and maintain
- Automatic inboard/outboard rollstops
- Patented Sto-Loc™ technology
- Handrail-mounted platform lights
- Stainless steel fittings
- Lubrication-free bearings and pins
- Built-in manual backup system
- FMVSS and ADA compliant
- 5-year limited warranty

Designed for “DOT PUBLIC USE” vehicles.



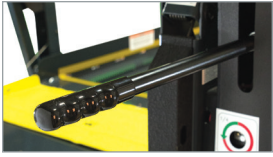
THE RICON SAFETY ZONE

Surrounds passenger with industry-leading safety features to optimize security during lift operations.

- Patented fully interlocked restraint belt system
- Contoured handrails with platform lighting
- Inner and outer rollstop barriers and side rails

Photo courtesy of Collins Bus

Ricon Classic S-Series and K-Series Lifts Deliver Reliable Performance by Design.



Manual Backup System – Hand pump mechanism provides manual operation in case of power loss.



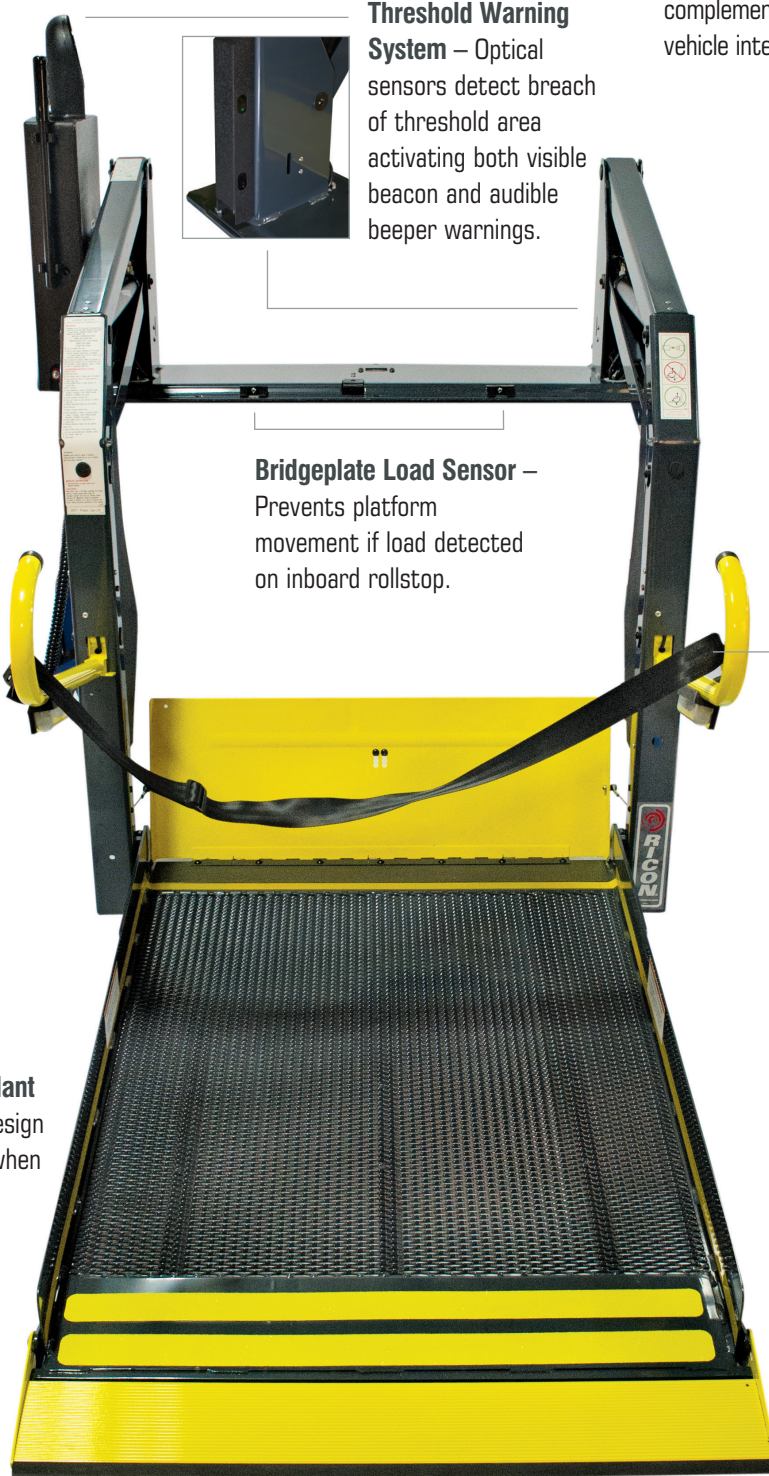
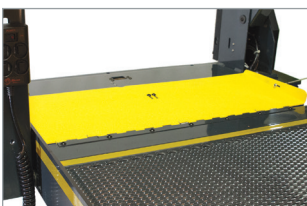
Hydraulic Cylinder Controls – Easy-to-reach flow control valves eliminate need to remove hose or fitting to provide years of worry-free operation. Melonite® coated pins with Teflon® coated bearings require no lubrication.



Magnetized Hand Control Pendant – Convenient control pendant design attaches directly to the frame when lift is stowed or loading.

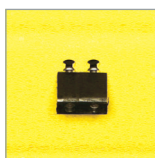
■ **Inboard Rollstop** – Automatic inner barrier.

Patented Sto-Loc™ Technology – Prevents lift drift (located on reverse side of the inboard rollstop).



Threshold Warning System – Optical sensors detect breach of threshold area activating both visible beacon and audible beeper warnings.

Bridgeplate Load Sensor – Prevents platform movement if load detected on inboard rollstop.



Rugged 800-Pound Lift Platform – Durable gray powder coat finish complements most vehicle interiors.

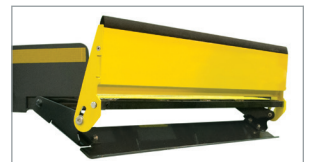


Cycle Counter – Tracks usage for service and maintenance.

■ **Easy-Grip Contoured Handrails with Platform Lighting**



■ **Occupant Restraint Belt System** – Patented fully interlocked Ricon occupant restraint belt system combines with dual handrails, inner and outer rollstop barriers and side rails for industry-leading passenger security. Lift will not operate unless belt is securely fastened.



■ **Spring-Loaded Outboard Rollstop** – Outer rollstop features durable one-piece extruded aluminum design and mechanical actuator for smooth operation on widest range of surfaces.

RICON® CLASSIC LINE

S-SERIES® LIFT: Models: S2005-S5503

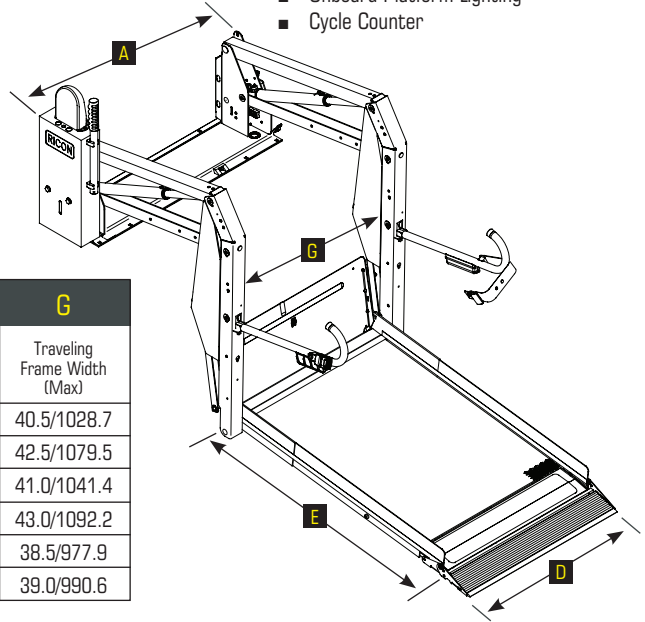
Rated Load Capacity Up to 800 lbs / 363 kg
 Lift Weight Approx. 340-370 lbs / 154-168 kg
 Power Electro-Hydraulic
 Hydraulic Cylinders (2) each, 1.5" Power-Up / Gravity Down
 Motor Rating @ 12V DC 65 amp avg. / cycle 1500 psi
 Manual Backup (up) Hand Pump
 Manual Backup (down) Pressure Release Valve

Inches/Millimeters

MODEL	A	B	C	D	E	F	G
	Stationary Frame Width	Height (folded)	Installation Depth (folded)	Usable Platform Width	Usable Platform Length	Floor-to-Ground Travel	Traveling Frame Width (Max)
S2005	47/1194	54.0/1372.0	14/356	32/813	51/1295	42/1067	40.5/1028.7
S2010	49/1245	57.0/1448.0	14/356	34/864	54/1372	42/1067	42.5/1079.5
S5505	47/1194	57.5/1460.5	15/381	32/813	51/1295	51/1295	41.0/1041.4
S5510	49/1245	57.5/1460.5	15/381	34/864	54/1372	51/1295	43.0/1092.2
S2003*	45/1143	54.0/1372.0	14/356	30/762	51/1295	42/1067	38.5/977.9
S5503*	45/1143	57.5/1460.5	14/356	30/762	51/1295	51/1295	39.0/990.6

* Non-standard production order required

- Audible/Visual Threshold Warning Display
- Optical Threshold Warning Sensors
- Inboard Rollstop Interlock
- Automatic Inner Barrier Rollstop
- Two-Tiered Outer Barrier
- Onboard Platform Lighting
- Cycle Counter



- Audible/Visual Threshold Warning Display
- Optical Threshold Warning Sensor
- Inboard Rollstop Interlock
- Automatic Inboard Rollstop
- Two-Tiered Outer Barrier
- Onboard Platform Lighting
- Cycle Counter

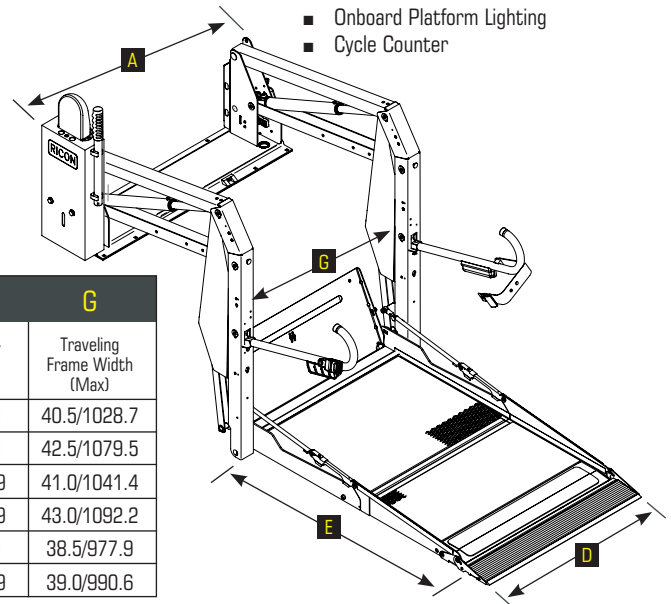
K-SERIES® LIFT: Models: K2005-K5503

Rated Load Capacity Up to 800 lbs / 363 kg
 Lift Weight Approx. 340-370 lbs / 154-168 kg
 Power Electro-Hydraulic
 Hydraulic Cylinders (2) each, 1.5" Power-Up / Gravity Down
 Motor Rating @ 12V DC 65 amp avg. / cycle 1500 psi
 Manual Backup (up) Hand Pump
 Manual Backup (down) Pressure Release Valve

Inches/Millimeters

MODEL	A	B	C	D	E	F	G
	Stationary Frame Width	Height (folded)	Installation Depth (folded)	Usable Platform Width	Usable Platform Length	Floor-to-Ground Travel	Traveling Frame Width (Max)
K2005	47/1194	54.0/1372.0	16.5/419	31/787	51/1295	37/940	40.5/1028.7
K2010	49/1245	54.0/1372.0	16.5/419	33/838	54/1372	37/940	42.5/1079.5
K5505	47/1194	57.5/1460.5	17.5/444.5	31/787	51/1295	48/1219	41.0/1041.4
K5510	49/1245	57.5/1460.5	17.5/444.5	33/838	54/1372	48/1219	43.0/1092.2
K2003*	47/1194	47.0/1194.0	15.5/394	29/737	51/1295	37/940	38.5/977.9
K5503*	45/1143	58.0/1473.0	15.5/394	30/762	51/1295	48/1219	39.0/990.6

* Non-standard production order required



CALL TOLL-FREE: 1-800-322-2884

RICONCORP.COM 1135 Aviation Place, San Fernando, CA 91340

Copyright 2017 Ricon Corporation. Ricon, S-Series, K-Series, KlearVue and Sto-Loc are trademarks of Ricon Corporation. All Rights Reserved. Ricon Corp. reserves the right to discontinue models or options at any time or change specifications, materials, equipment, or pricing without notice and without incurring obligation.

PN 32SL640-A (10 17 1M)

