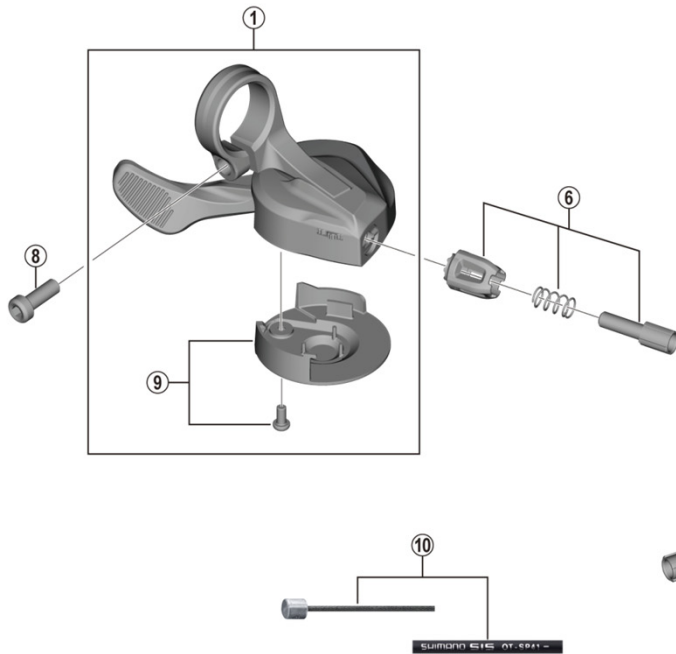
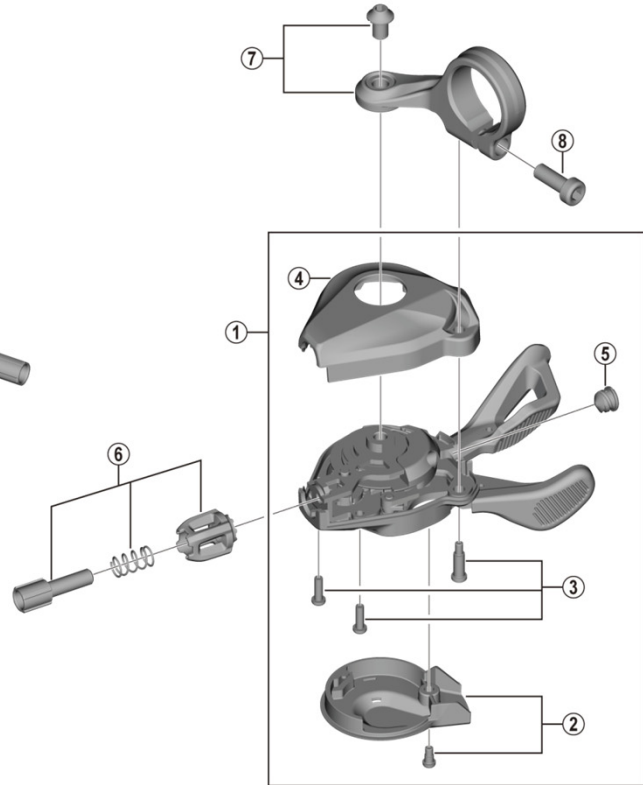


SLX Shifting Lever SL-M7100 (2x12-speed)

For Left Hand



For Right Hand



ITEM NO.	SHIMANO CODE NO.	DESCRIPTION
1	Y0GV98010	R.H. Shifting Lever Unit
	Y0GW98010	L.H. Shifting Lever Unit
2	Y0GV98020	R.H. Main Lever Cover & Fixing Screw
3	Y0GV98030	R.H. Base Cover Fixing Screw Unit
4	Y0GV01000	R.H. Base Cover
5	Y6CD33000	R.H. Inner Hole Cap
6	Y03K98030	R.H. Cable Adjusting Bolt Unit
	Y06N98040	L.H. Cable Adjusting Bolt Unit
7	Y0GV98040	R.H. Bracket Unit
8	Y6T842100	Clamp Bolt (M5 x 13.5)
9	Y0GW98020	L.H. Lever Cap & Fixing Screw
10	Y60198090	OT-SP41 OPTISLICK shift cable sets (Black) <ul style="list-style-type: none"> • Sealed outer caps, plastic (9 pcs.) • Sealed outer cap nose (1 pc.) • Rubber shield (1 pc.) • Inner end caps (2 pcs.)
	Y60198091	OT-SP41 OPTISLICK shift cable sets (White) <ul style="list-style-type: none"> • Sealed outer caps, plastic (9 pcs.) • Sealed outer cap nose (1 pc.) • Rubber shield (1 pc.) • Inner end caps (2 pcs.)

Jul.-2019-4609
© Shimano Inc. I

Specifications are subject to change without notice.

SHIMANO