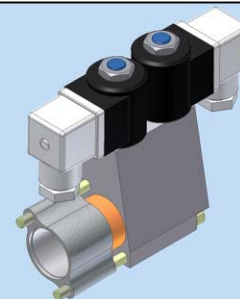


ELECTRO-HYDRAULIC OPERATING UNIT

EHO....



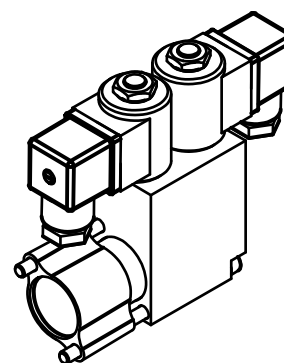
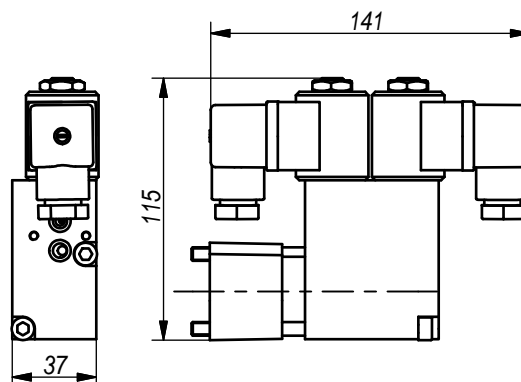
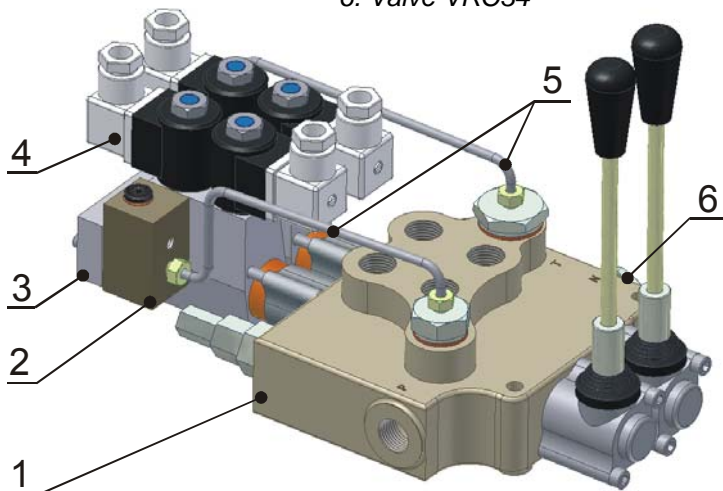
The electro-hydraulic operating unit **EHO...** is designed for coupling to manually operated, hydraulic directional control valves of the **P40** and **P80** types, which are produced by the Bulgarian company **BADESHTNOST AD**, as an additional option for electric operation. It can be mounted on a monoblock or sectional implementation, with no limit to the number of the sections. It is fixed by two screws M6 at the place of the decorative cap, closing the spring package of the section. The existing screw, which holds the spring, is removed and the connector of the unit is screwed on its place. The hydraulic inlets and outlets of all the sections are joined together by a strip, which is fixed by two screws to each section.

The oil supply can be realized in two ways:

- from external source with pressure between 10 to 20 bar;
- from the flow which supplies the directional control valve. For that purpose, some flow is directed from one of the inlets **P**, by a pipe and a nipple to a reducing valve, mounted on the collector and providing the necessary supply pressure. The outlet line is connected to the free outlet **T** of the directional control valve by a special transient nipple. The connections are made by $\varnothing 8$ steel tubes. To provide minimum pressure of 10 bar in the case of non-operating (unloaded) directional control valve, a back pressure valve **VRC34** is mounted in the seat **N**, designed to maintain the minimum pressure during the running of the flow.

The electro-hydraulic operating unit is shown below, mounted on a double monoblock directional control valve **P80** with own supply.

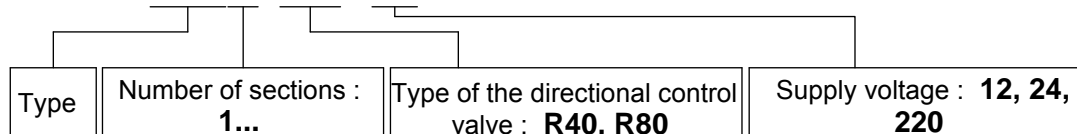
1. Directional control valve 2R80...
2. Reducing valve
3. Collector
4. Operating units EHO...
5. Supplying tubes
6. Valve VRC34



Technical characteristics of EHO.R...-		
Supply pressure	bar	min.10 max.20
Maximum pressure in the outlet line of the directional control valve	bar	20
Supply voltage	V	12, 24 VDC; 220 VAC
Consumption per 1 solenoid	W	18
Type of the basic directional control valve		P40; P80

ORDERING CODE

EHO 2 R80 - 12



ELECTRO-HYDRAULIC OPERATING UNIT

EHO....

