

Specifications

Max. working pressure ⁴	250 bar
Weight	247 kg
Working volume	85 L
Total volume	88 L
Max. cyl. load (start tipping)	245 kN
Max. cyl. load (end of stroke) ²	101 kN
Max. cyl. load (end of stroke) ³	117 kN

Max. pump flow

With KO ¹	170 L/min
Without KO ¹	119 L/min
With KO ¹ below -20°C	119 L/min
Without KO ¹ below -20°C	83 L/min

Tipping time

With KO ¹	30 sec
Without KO ¹	43 sec
With KO ¹ below -20°C	43 sec
Without KO ¹ below -20°C	61 sec
Allowable lowering time	30 sec

Extension	1	2	3	4	5	6	7	Total
Effective diameter [mm]	169	149	129	110	85			6230
Stroke* [mm]	1230	1250	1250	1250	1250			

Technical notes

- This cylinder is a lifting device only. • It should not be used as a structural member and should not be subjected to side loads. • Tipping valve must have a pressure relief at the cylinder port set not higher than max. working pressure. • Verify max. cyl. load. • Working temperature range is between -40°C and +80°C. • Max. duration of extension is 0.5 hours (excluded hard chromed stages). • Cylinder is painted black (RAL9005) with a min. thickness conforming to the 480 hours neutral salt spray test as per ISO 9227. • ¹ Hyva knock-off. • ² Unsubstantial unloading (sticky load). • ³ Substantial unloading. • ⁴ Max. working pressure does not relate to max. cyl. load (end of stroke); substantial unloading required before tipping to end of stroke.

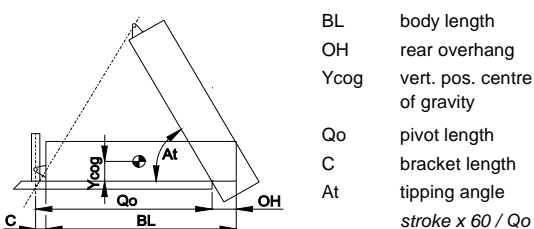
Related documentation

Bracket options: 015BRA10 & 015BRA13

Mounting instructions: CYL-0031

Oil specifications: OIL-0011
Spec sheet explanation: CYL-0041

Tipping weight



BL [mm]	8200			7850			7500		
OH [mm]	200	500	800	200	500	800	200	500	800
At [°]	46	48	50	48	50	52	50	53	55
Ycog [mm]									
600	39	42	46	40	44	48	42	46	51
900	42	45	50	43	48	53	45	51	58
1200	45	49	55	47	52		50		

Tipping weight [ton] at maximum pressure of 250 bar for a vertically mounted cylinder and C is 158 mm

For detailed tipping calculations please refer to: <https://tipper.hyva.com>

Alpha series - Front end cylinder with single eye



FE A169-5-06230-019-K1529-P85*290

Item no.

70596522

Pos.	Part no.	Description	Qty.
C01	71839131	DUST COVER FE 169-5/179-5/191-6	1
P01	74432441	PISTON FL2 S 085-1445-HC	1
P02	71853085 K	SLIDER FL 085 (2 X 1/2) A22	1
P03	71851085 K	OUTER STOPRING FL 085 A22	1
P04	75322085	BOTTOM PLATE PISTON 085	1
P05	01770560 K	CIRCLIP 75 DIN 472 (79.5x3.0)	1
P06	75372085 K	O-RING PISTON BOTTOM HP 085	1
P07	71847150	PISTON EYE SPH. FL 085 MK2 L=075	1
P08	01225807 K	O-RING 66.27 X 3.53 MM	1
P09	71875450 K	SPHERICAL BEARING D.50 MAINT. FREE	1
P10	01770560 K	CIRCLIP 75 DIN 472 (79.5x3.0)	1
P11	71875012	PIN ROUND HEAD GROOVED 8x15 mm	2

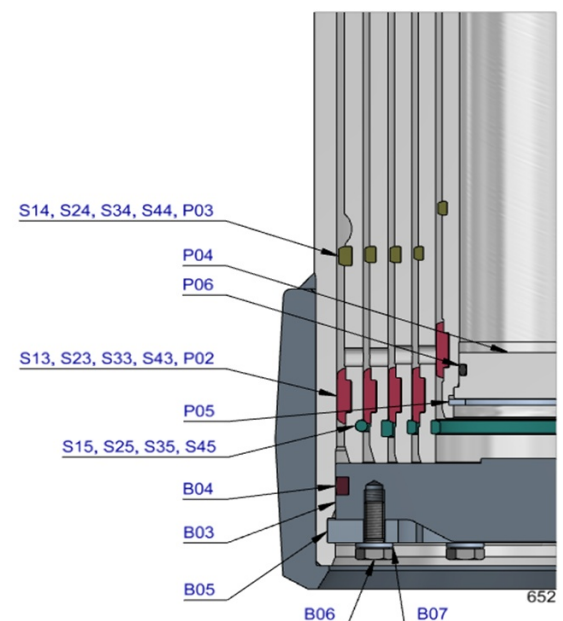
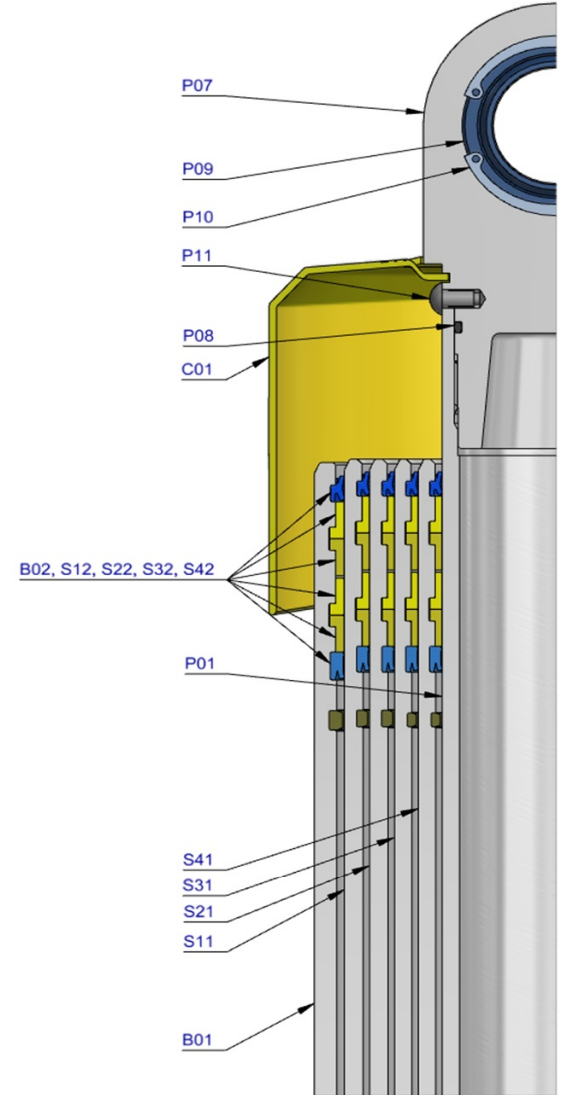
S41	74633440	STAGE FL2 110-1440 ID90	1
S42	75302110 K	PACKSET HP 110	1
S43	71853110 K	SLIDER FL 110 (2 X 1/2) A22	1
S44	71851110 K	OUTER STOPRING FL 110 A22	1
S45	71850111 K	INNER STOPRING/LIFTRING FL 110 ID 90 A22	1

S31	74604440	STAGE FL2 129-1440	1
S32	71802129 K	PACKSET FL 129/HP 129	1
S33	71853129 K	SLIDER FL 129 (2 X 1/2) A22	1
S34	71851129 K	OUTER STOPRING FL 129 A22	1
S35	71852129 K	LIFTRING FL 129 A22	1

S21	74605440	STAGE FL2 149-1440	1
S22	71802149 K	PACKSET FL 149/HP 150	1
S23	71807151 K	SLIDER FL 149 A35	1
S24	71851149 K	OUTER STOPRING FL 149 A22	1
S25	71852149 K	LIFTRING FL 149 A22	1

S11	74606440	STAGE FL2 169-1440	1
S12	71802169 K	PACKSET FL 169	1
S13	71807171 K	SLIDER FL 169 A35	1
S14	71851169 K	OUTER STOPRING FL 169 A22	1
S15	71813169 K	LIFTRING FL 169x5	1

B01	74507444	BASE FL2 191-1483-4/4BSAE-290	1
B02	71802191 K	PACKSET FL 191	1
B03	71825430	BOTTOM PLATE FL2 191	1
B04	71870040 K	SEAL BOTTOM PLATE FL 191	1
B05	71820195	LOCKING PLATE FL2 191	3
B06	01732055 K	BOLT HEX M8X20X1.25 SET 6 PCS	1
B07	01732559 K	WASHER SPRING M8 SET 6 PCS	1



Seal kit complete

	71908652 K	Consists of all packsets with packset grease and O-rings	
--	------------	--	--

Notes

The inner stopring is pre-mounted in the grooves on spare bases and stages. Therefore, when ordering new tubes, it is not required to order inner stoprings separately.

For repair instructions see: CYL-0040. Serial no. is located on type plate and near type plate support.