

GELEN

CRUSHING & SCREENING PLANTS



ABOUT US

GELEN was established in 1981 with the intention of manufacturing mining, road and construction machineries and plants. With more than 30 years of experience now, GELEN has realized a great number of successful projects in interior and exterior markets and has been a reliable supplier of some of the leading construction companies in Turkey.

The production program of the company consists of complete crushing, screening and washing plants, bulk material conveying and stock-piling plants, screw conveyors, bucket elevators, cement and aggregate silos.

We offer reliable and rational engineering solutions for any aggregate size-reduction projects, upgrade existing plants and supply individual machines; always following the technological developments. An after-sales service of field technical assistance, repair, installation and spare parts services for the plants provided by GELEN allowed us to grow consistently and retain existing customers. Our project and customer-oriented philosophy has led to the satisfaction and happiness of our customers.



CK SERIES

JAW CRUSHERS

GELEN jaw crushers are satisfactorily used to crush hard and abrasive materials in a wide range of applications including:

- Quarry
- Recycling
- River Material
- Industrial

High Durability;

- Cast steel pitman designed for maximum strength with minimum weight.
- Stress-relieved main frame.
- Cast steel frame bearing housing with four equal size bearings.

High performance;

- Symmetrical crushing chamber
- Large flywheel
- Robust eccentric shaft design with high swing

Low operational costs;

- Optional central lubrication
- Reversible jaw plates
- Adaptable motor base

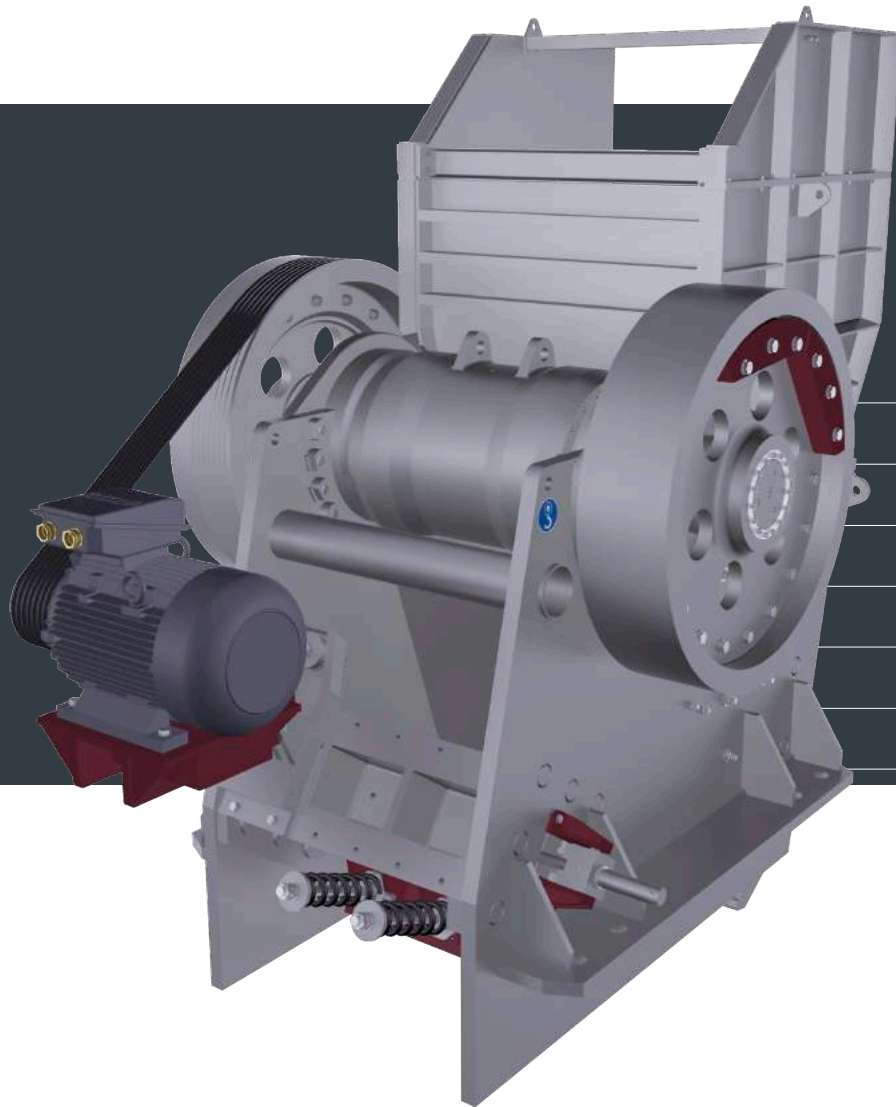


GELEN



CK SERIES

PRIMARY JAW CRUSHERS



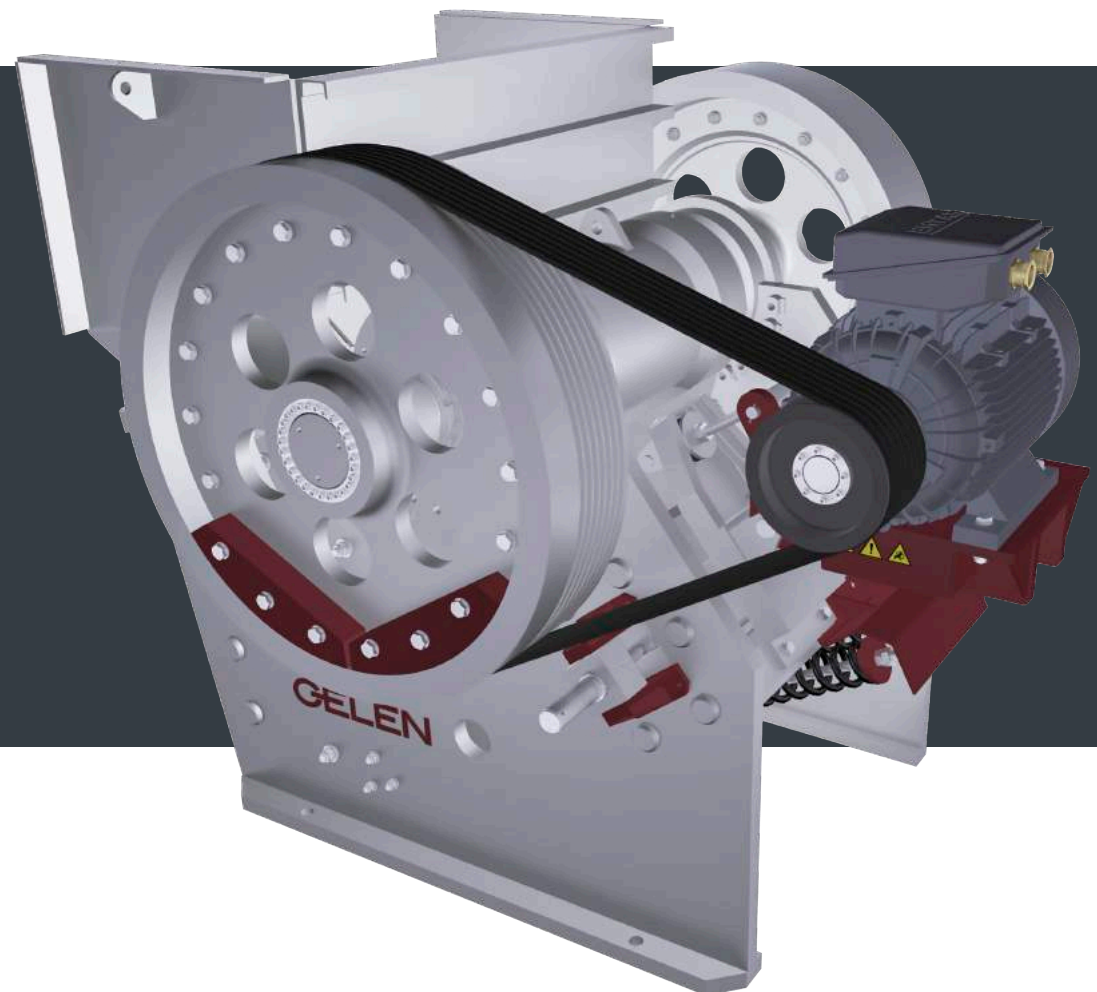
CK series jaw crushers are your reliable partner in the toughest feed conditions. With a wide range of size selection GELEN jaw crushers offer you the most productive and cost-efficient solution for your primary and secondary applications. Easy setting, safe and quick maintenance increase your production efficiency to a maximum level.

	CK1612	CK1411	CK1395	CK1185	CK965	CK685
INLET OPENING mm	1600x1200	1400x1100	1250x950	1100x850	900x650	600x380
MAX. FEED SIZE mm	1200	1100	950	850	650	380
OUTLET SETTING mm	1200	1100	950	850	650	380
OUTPUT tph	500-1000	400-850	275-700	120-450	70-270	25-120
POWER kw	250	200	160	132	75	30
WEIGHT kg	74.200	54.500	42.000	33.000	13.400	6.300

CK SERIES

SECONDARY JAW CRUSHERS

	CK920	CK1465
INLET OPENING mm	900x200	1400x650
MAX. FEED SIZE mm	200	650
OUTLET SETTING mm	30-90	75-175
OUTPUT tph	20-75	200-550
POWER kw	30	132
WEIGHT kg	5.600	24.300



GELEN





HORIZONTAL SHAFT IMPACT CRUSHERS

GELEN impact crushers provide high performance in all stages of crushing with their unique designs. The robust rotor production, high quality wear parts and well engineered chamber design are the key factors of the GELEN quality in impact crushers.

PDK SERIES

HORIZONTAL SHAFT IMPACT CRUSHERS



PDK series impact crushers are used in the first stage crushing of the soft to medium-hard quarry minerals. With ability to process a wide range of materials they offer a high reduction rates in one step with an excellent product grading and increased quality.

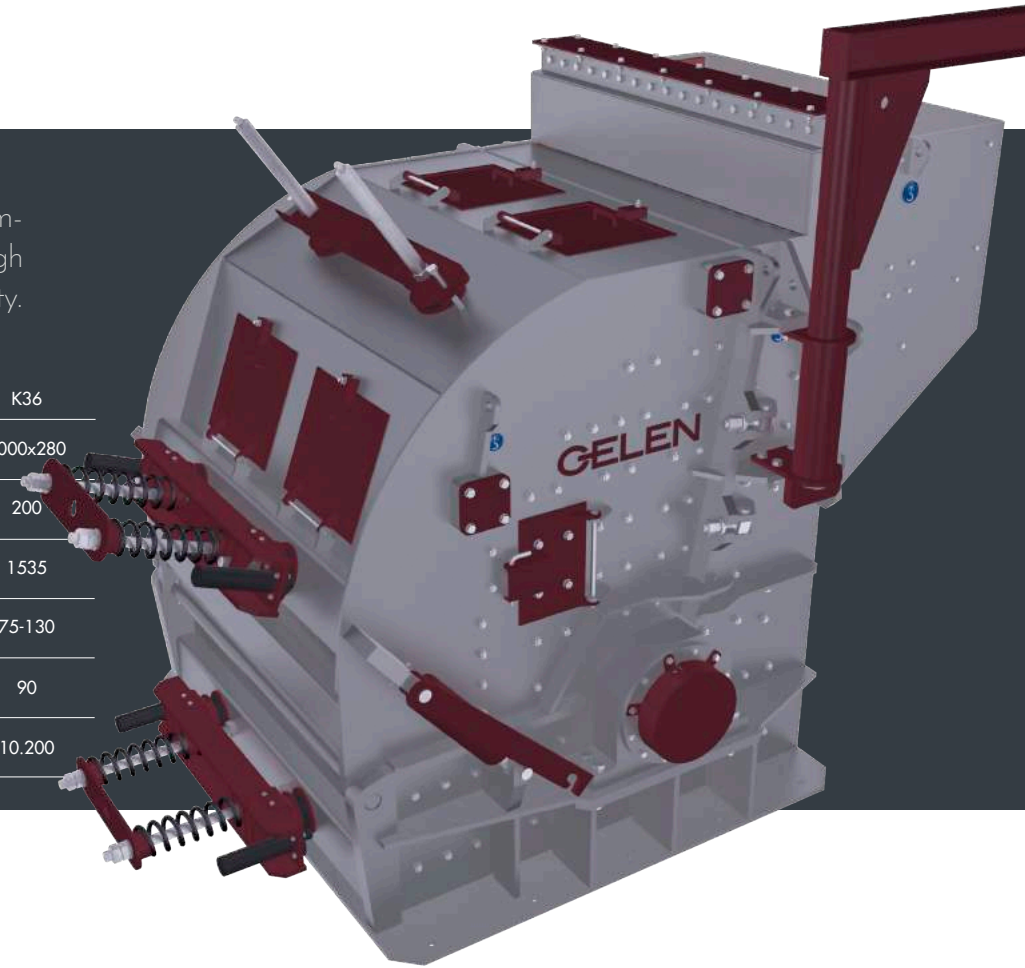
	PDK1620	PDK1518	PDK1415	PDK1313	PDK1210
INLET OPENING mm	2040x1600	1840x1400	1540x1300	1340x1200	1040x900
MAX. FEED SIZE mm	1300	1100	1000	900	800
ROTOR DIAMETER mm	1600	1500	1400	1300	1200
OUTPUT tph	500-900	400-750	300-600	250-400	150-250
POWER kw	355	315	250	200	160
WEIGHT kg	41.800	34.600	22.000	18.200	14.000

SDK SERIES

HORIZONTAL SHAFT IMPACT CRUSHERS

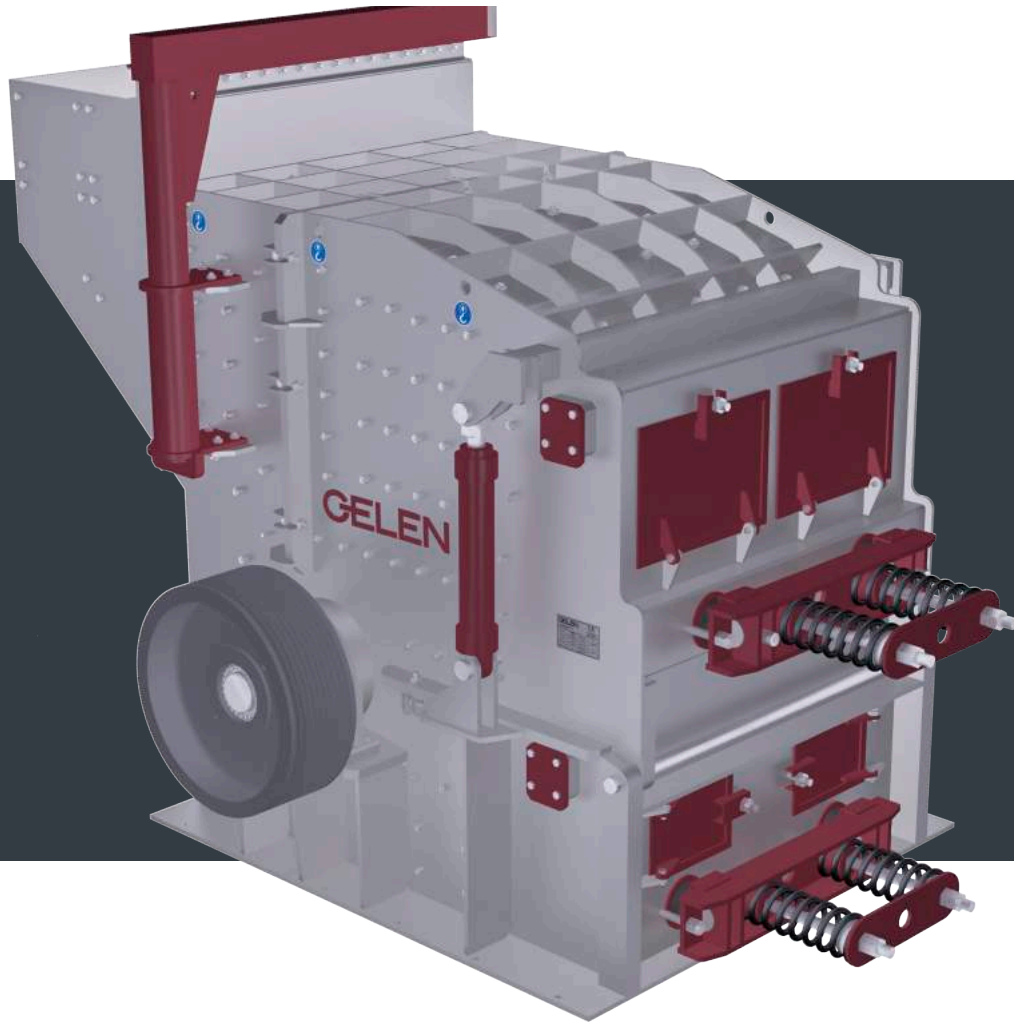
SDK series secondary impact crushers are used for the crushing of soft to medium-hard quarry minerals. With ability to process a wide range of materials they offer a high degree of crushing in one step with an excellent product grading and increased quality.

	SDK1520	SDK1418	SDK1315	SDK1213	SDK1210	K35	K36
INLET OPENING mm	2040x980	1840x900	1540x900	1340x800	1020x800	1500x280	1000x280
MAX. FEED SIZE mm	700	700	600	600	500	200	200
ROTOR DIAMETER mm	1500	1400	1300	1200	1200	1535	1535
OUTPUT tph	300-750	300-550	200-450	150-300	100-250	175-250	75-130
POWER kw	400	355	250	200	160	160	90
WEIGHT kg	29.300	24.800	18.000	12.700	9.800	18.600	10.200



DST SERIES

HORIZONTAL SHAFT IMPACT CRUSHERS



DST series impact crushers are mainly used in river bed minerals crushing. With its advantageous chamber design, greater material sizes can be fed. Also higher percentage of small sized output is achieved.

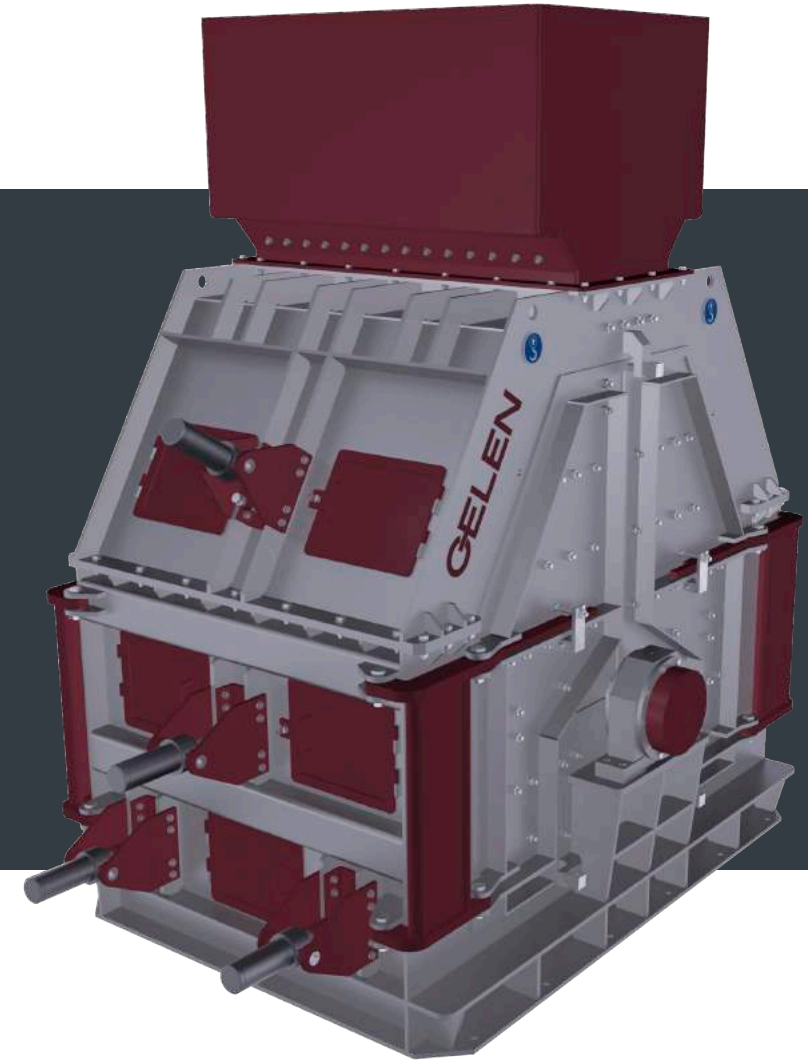
	DST1418	DST1315	DST1112	DST1110
INLET OPENING mm	900x1840	800x1540	600x1250	600x1000
MAX. FEED SIZE mm	600	500	450	455
ROTOR DIAMETER mm	1400	1300	1100	1100
OUTPUT tph	250-510	180-330	110-250	90-170
POWER kw	355	315	200	160
WEIGHT kg	30.600	21.500	16.800	10.900

TDK SERIES

HORIZONTAL SHAFT IMPACT CRUSHERS

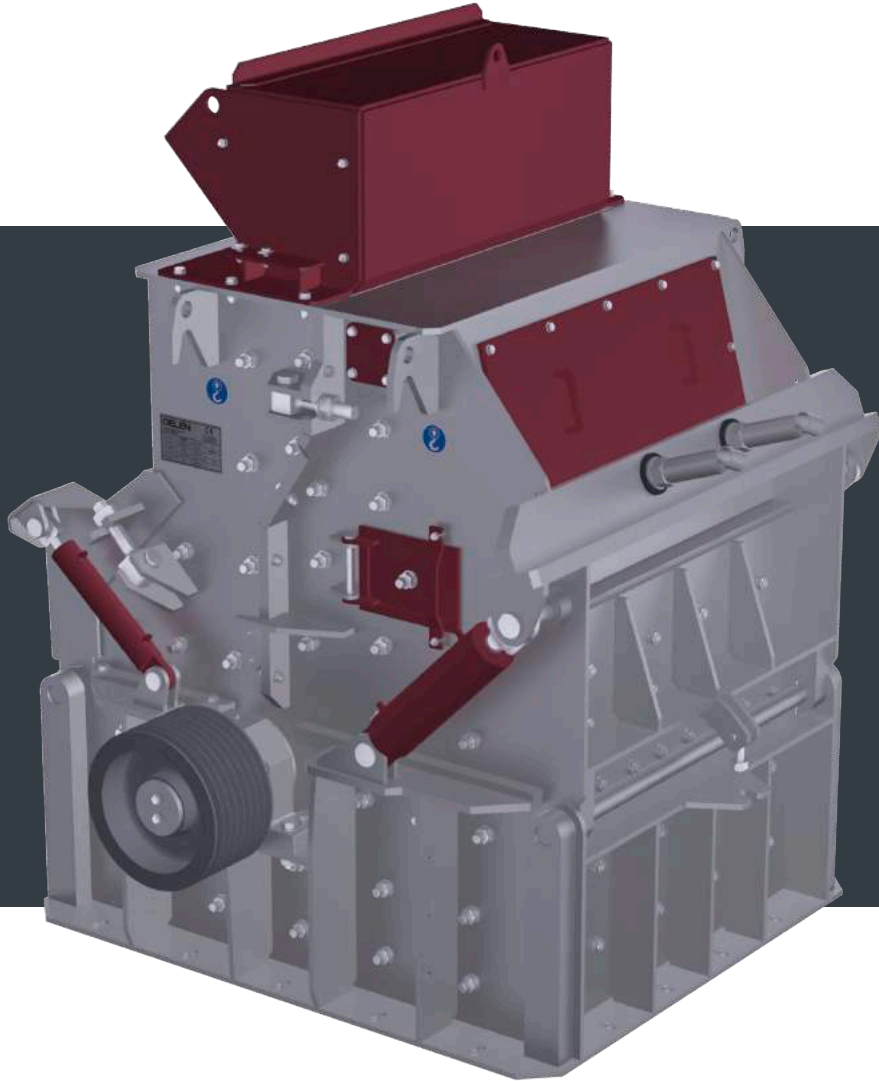
TDK series impact crushers are third stage impact crushers suited to crush soft to medium-hard materials. Thanks to the versatile design of the breaker plates a wide range of highly cubical final product grading can be obtained. TDK series crushers are the right choice especially when higher percentage of mechanical sand is demanded.

	TDK1215	TDK1212	TDK1285	TDK1260
INLET OPENING mm	330x1540	230x1240	230x890	230x640
MAX. FEED SIZE mm	120	80	80	80
ROTOR DIAMETER mm	1200	1200	1200	1200
OUTPUT tph	150-250	100-150	70-100	40-70
POWER kw	315	250	160	110
WEIGHT kg	20.600	16.500	10.500	7.200



HTK SERIES

HIGH SPEED IMPACT CRUSHERS



HTK series high velocity tertiary crushers offer an economical alternative in producing highly cubical mechanical sand. The lightweight 2 row rotor design with increased speed is the key element in its greater efficiency.

	HTK1010
INLET OPENING mm	300x1040
MAX. FEED SIZE mm	40
ROTOR DIAMETER mm	1000
OUTPUT tph	80-100
POWER kw	200
WEIGHT kg	6.000



HIGH PRODUCT QUALITY

VERTICAL SHAFT IMPACT CRUSHERS

VSI is mainly a third or fourth stage crusher. These impact crushers combine crushing and grinding processes especially for all abrasive, brittle and moist materials. Closed rotor VSI's use rock-on-rock impact crushing system which means that the rock fed into the machine crushes itself. This allows economical and high quality solution for the production of concrete, asphalt and base mixtures.



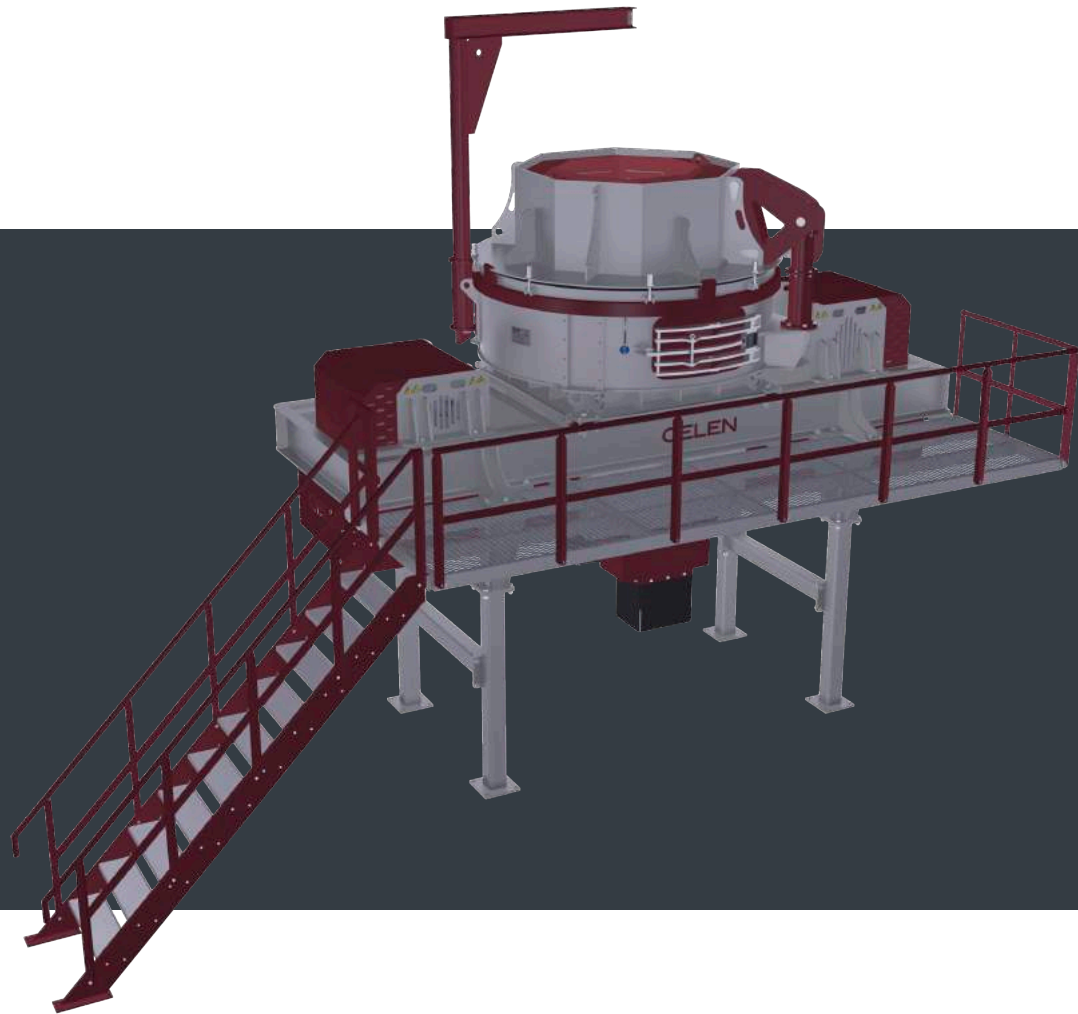


ROTOR DÖNÜŞ YÖNÜ
→

GELEN MAKİNA

VSI SERIES

VERTICAL SHAFT IMPACT CRUSHERS



	VSI900-CR	VSI800-CR	VSI900-OR
ROTOR DIAMETER mm	900	800	900
MAX. FEED SIZE mm	50	40	120
ROTOR SPEED mm	45-65	45-65	40-60
OUTPUT tph	250-350	115-185	240-280
POWER kw	320-500	220-264	320-500
WEIGHT kg	13.600	8.900	13.800



LOW OPERATIONAL COSTS



GELEN



VIBRATING SCREENS

The vibrating screens consist of a screen body, a vibrator mechanism, a drive assembly and spring suspension units mounted on a frame or support structure

The screen body is supported by coil springs which makes the body bounce freely. The vibrating motion thus is given by counterweights built on the shaft. Depending on their shaft location, GELEN two bearing inclined screens have two types:

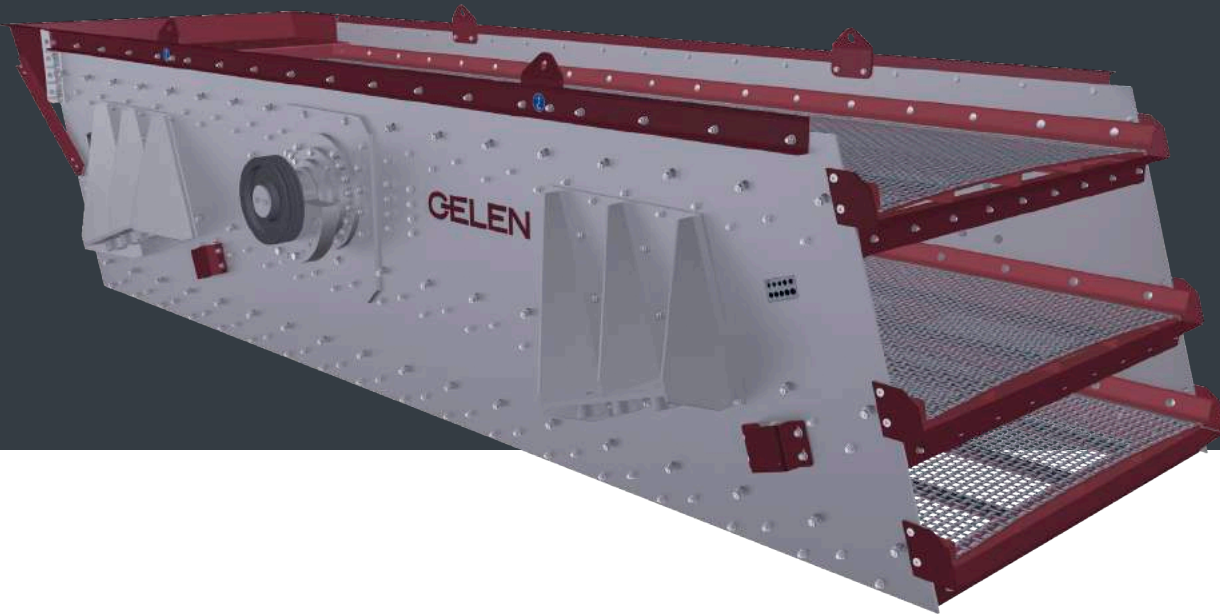
- STE Series Circular motion screens and ITE Series Grizzly screens with center mounted counterweights.
- ELTE Series Elvar screens with off center counterweights which provide different stroke patterns on the deck.

The ETE Series Elliptical Vibrating Screens are horizontal type screens with triple shaft geared together resulting in elliptical motion. Elliptical vibrating screens give better results when the feed material is sticky or flaky. Also depending on the application, the shape and the angle of the ellipse can be adjusted.

STE SERIES

CIRCULAR VIBRATING SCREENS

STE inclined screens are engineered to perform from the coarsest to the finest separations in aggregate plants. The shaft is positioned at the center of gravity of the screen resulting in a circular uniform motion at all points. They are remarkably versatile that they can be adjusted for wet screening, washing and rinsing purposes. To benefit to maximum in every application, the stroke inclination angle and the rotational speed can be set.



	MAIN DIMENSIONS mm		WEIGHT kg			POWER kw
	WIDTH	LENGTH	2-DECK	3-DECK	4-DECK	
STE2470	2400	7000	14.500	-	-	30
STE2470	2400	7000	-	16.900	19.600	37
STE2460	2400	6000	12.600	-	-	22
STE2460	2400	6000	-	15.400	18.500	30
STE2060	2000	6000	10.500	-	-	18.5
STE2060	2000	6000	-	13.700	14.600	22
STE2050	2000	5000	11.400	-	-	15
STE2050	2000	5000	-	12.200	13.800	18.5
STE1650	1600	5000	8.100	8.800	9.500	15
STE1640	1600	4000	6.600	7.000	-	11
STE1240	1200	4000	4.200	4.700	5.200	7.5
STE1030	1000	3000	2.300	2.500	-	5.5
STE1025	1000	2500	2100	-	-	4
STE1020	1000	2000	1550	-	-	3

ITE SERIES

GRIZZLY VIBRATING SCREENS

Grizzly scalpers are specially designed for heavy duty applications due to bigger top size material coming from primary crushing. Top decks are equipped with grizzly bars or specially perforated wear and abrasion steel plates. Stronger frame structure is the key element for a long lasting high performance of GELEN scalpers.

	MAIN DIMENSIONS mm		WEIGHT kg			POWER kw
	WIDTH	LENGTH	2-DECK	3-DECK	4-DECK	
ITE2050	2000	5000	9.200	-	-	22
ITE1850	1800	5000	8.500	9.550	-	22
ITE1650	1600	5000	8.100	8.800	-	18.5
ITE1440	1400	4000	4.200	4.700	-	15
ITE1240	1200	4000	2.300	2.850	-	11
ITE1230	1200	3000	1.800	2.000	-	5.5
ITE1225	1200	2500	1.650	1.900	-	5.5



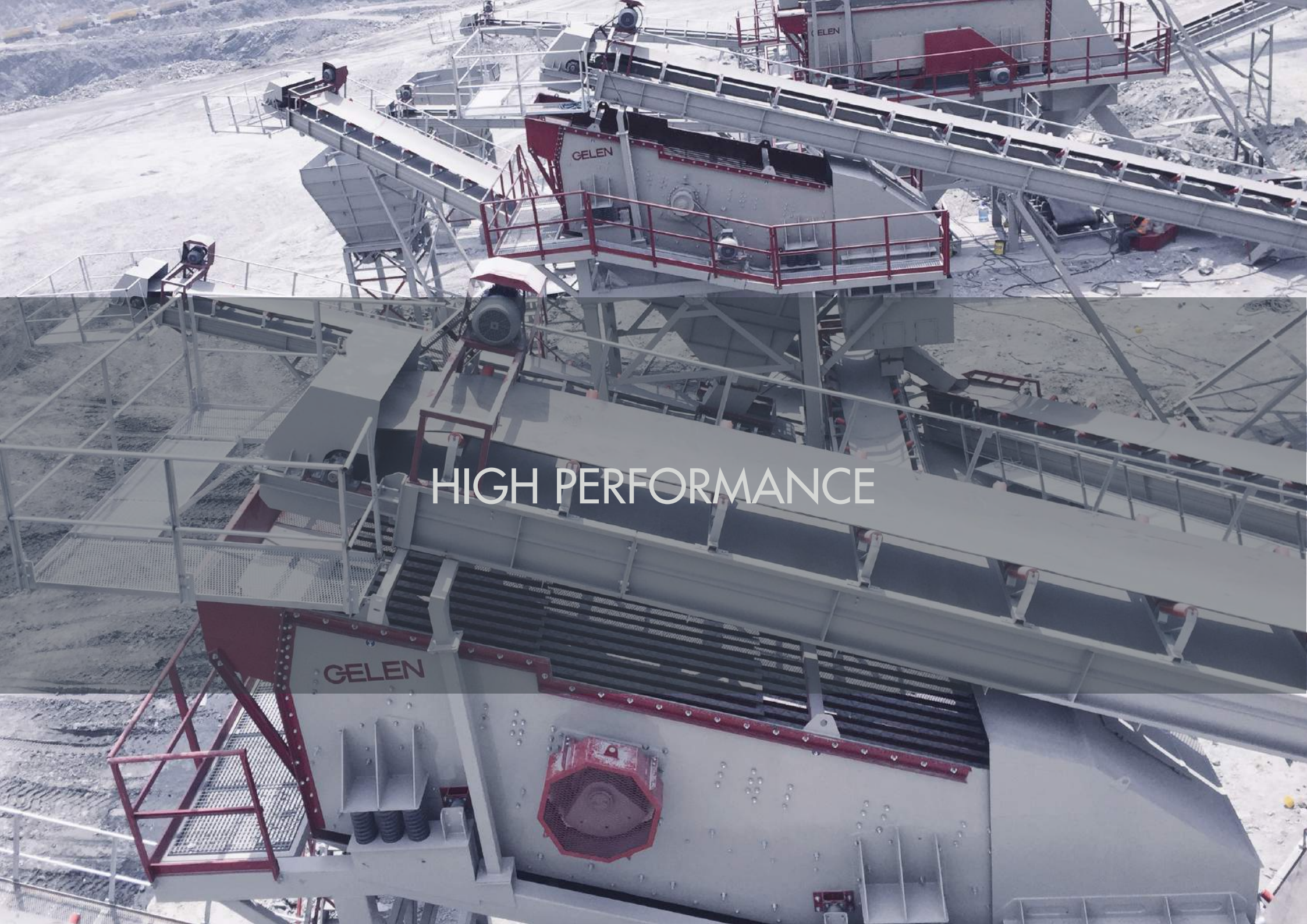
ETE SERIES

ELLIPTICAL VIBRATING SCREENS



The ETE Series Elliptical vibrating screens are of horizontal type screens with triple shaft geared together resulting in elliptical motion which is the most efficient screening motion in the industry. The ability to change the shape and angle of the ellipse allows you to best suit your screening needs from scalping to fine screening. These screens are available in wet screening and washing applications.

	MAIN DIMENSIONS mm		WEIGHT kg			POWER kw
	WIDTH	LENGTH	2-DECK	3-DECK	4-DECK	
ETE2260	2200	6000	13.800	14.800	15.700	37-45
ETE2561	2500	6100	14.700	15.700	-	45



HIGH PERFORMANCE

FEEDERS & DISCHARGE SYSTEMS

GELEN offers you a wide range of feeders for different feeding applications. Safe and easy handling, range of wear protection, reduced maintenance and operating costs are some of many advantages.

Heavy duty grizzly primary feeders designed for high capacities and long term use, separate pan feeder and a double-deck vibrating screen combination for efficient scalping applications, vibration free heavy duty hydraulic reciprocating plate feeders with multiple feed rate adjustments all come with a wide range of sizes to best suit your primary feeding requirements.

Also a wide range of pan feeders for secondary and tertiary stage feeding with base mounted and suspended installations offer reliable and low cost solutions.





TB SERIES

VIBRATING FEEDERS

Smooth, uniform feeding of the material is crucial for the efficiency in a crushing plant. Having this in mind, GELEN vibrating feeders are designed to give the best feeding solutions with different sized crushing equipment. High feeding capacity and success with hard and abrasive materials make GELEN feeders ideal for the customer.



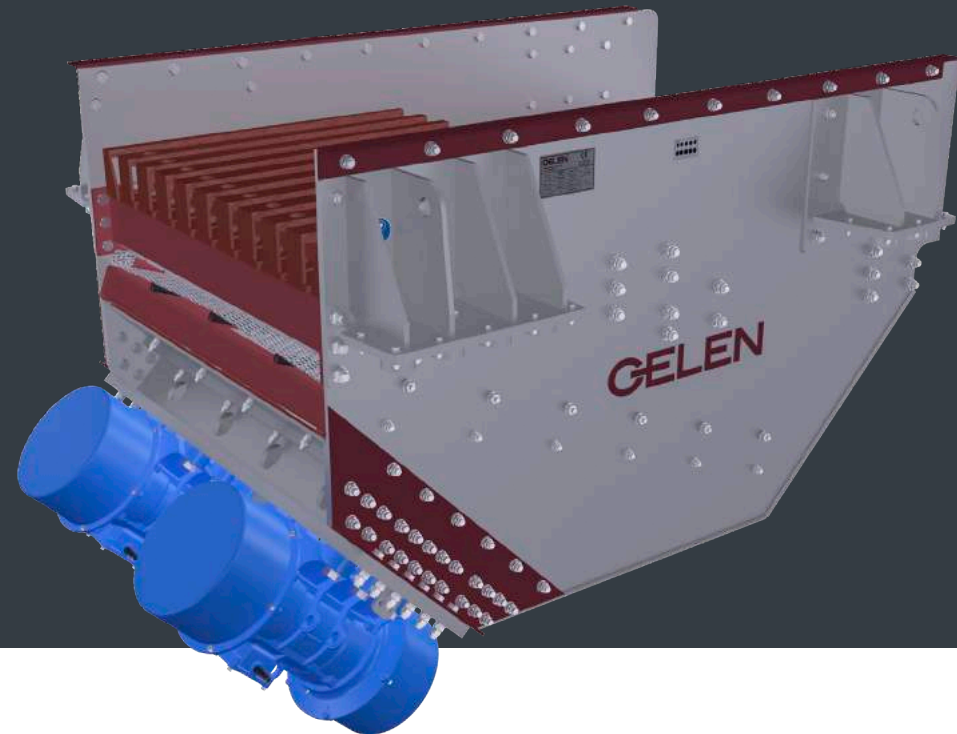
	MAIN DIMENSIONS mm		POWER kw
TB615	600	1500	2x0.9
TB817	800	1700	2x1.2
TB917	900	1700	2x1.2
TB920	900	2000	2x2.6
TB930	900	3000	2x5.5
TB940	900	4000	2x7.1
TB9540	950	4000	2x7.6
TB9555	950	5500	2x7.6
TB1020	1000	2000	2x2.6
TB1255	1200	5500	2x9.8
TB1320	1300	2000	2x2.6
TB1335	1300	3500	2x8.5
TB1355	1300	5500	2x11.5
TB1445	1400	4500	2x11.5
TB1455	1400	5500	2x13

BE SERIES

GRIZZLY FEED SCREEN

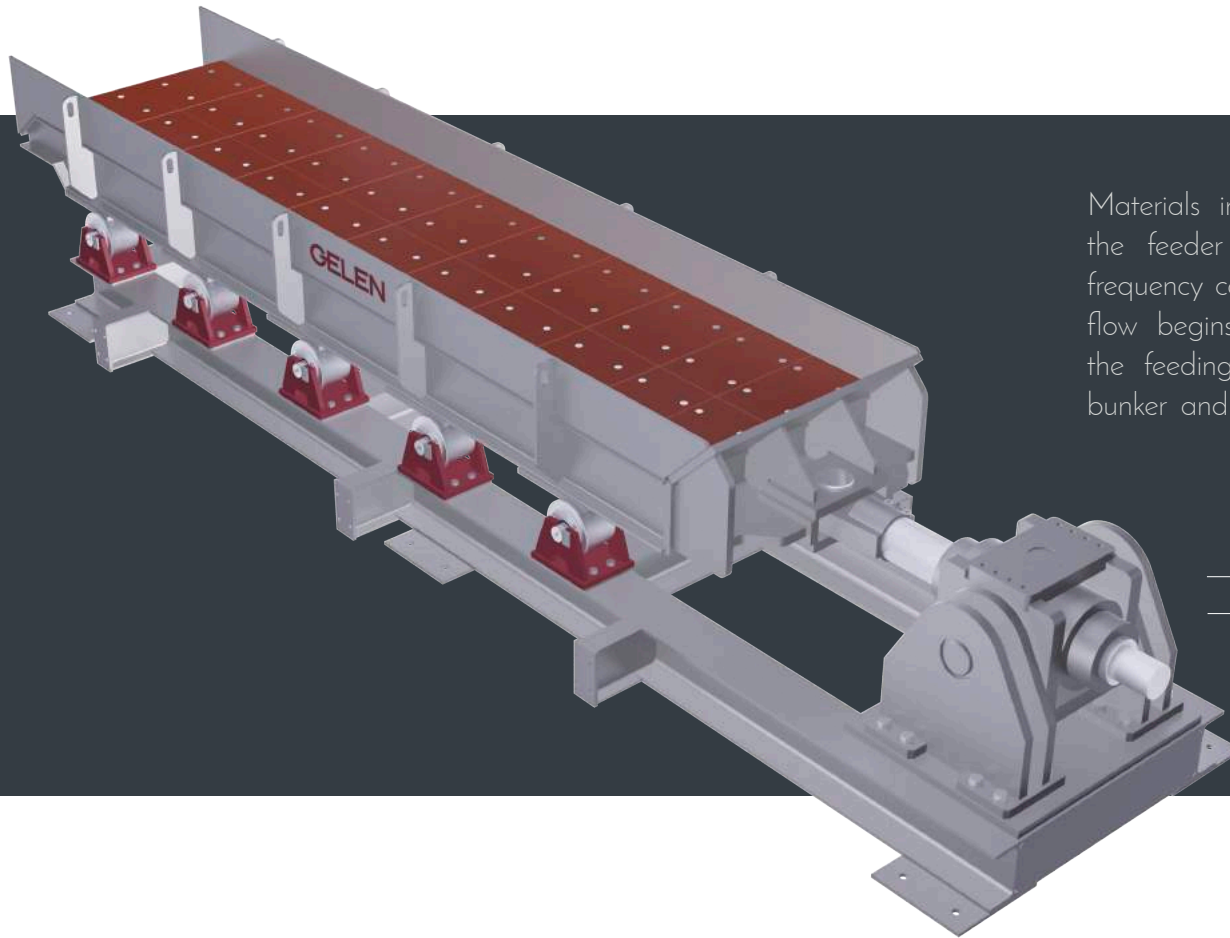
Designed for the toughest conditions, GELEN Grizzly Feed Screens offer the most efficient solution matching GELEN primary vibrating feeders. Easily adjustable speed and stroke gives maximum control over the feed material. Many applications need special configurations in grizzly design. GELEN offers high capacity solutions for every application. Practical change of grizzly bars minimizes downtime thus increasing the overall efficiency during service life.

	MAIN DIMENSIONS mm		POWER kw
BE1525	1500	2500	2x8
BE1423	1400	2300	2x5.3
BE1323	1300	2300	2x5.3



RB SERIES

RECIPROCATING FEEDERS



Materials introduced by means of a hopper are unloaded from the feeder by a reciprocating motion. Back and forth motion frequency can be adjusted. With the forward movement the material flow begins at the transfer point, with the backward movement the feeding material supports itself against the rear wall of the bunker and feeds the material in the direction of the transfer point.

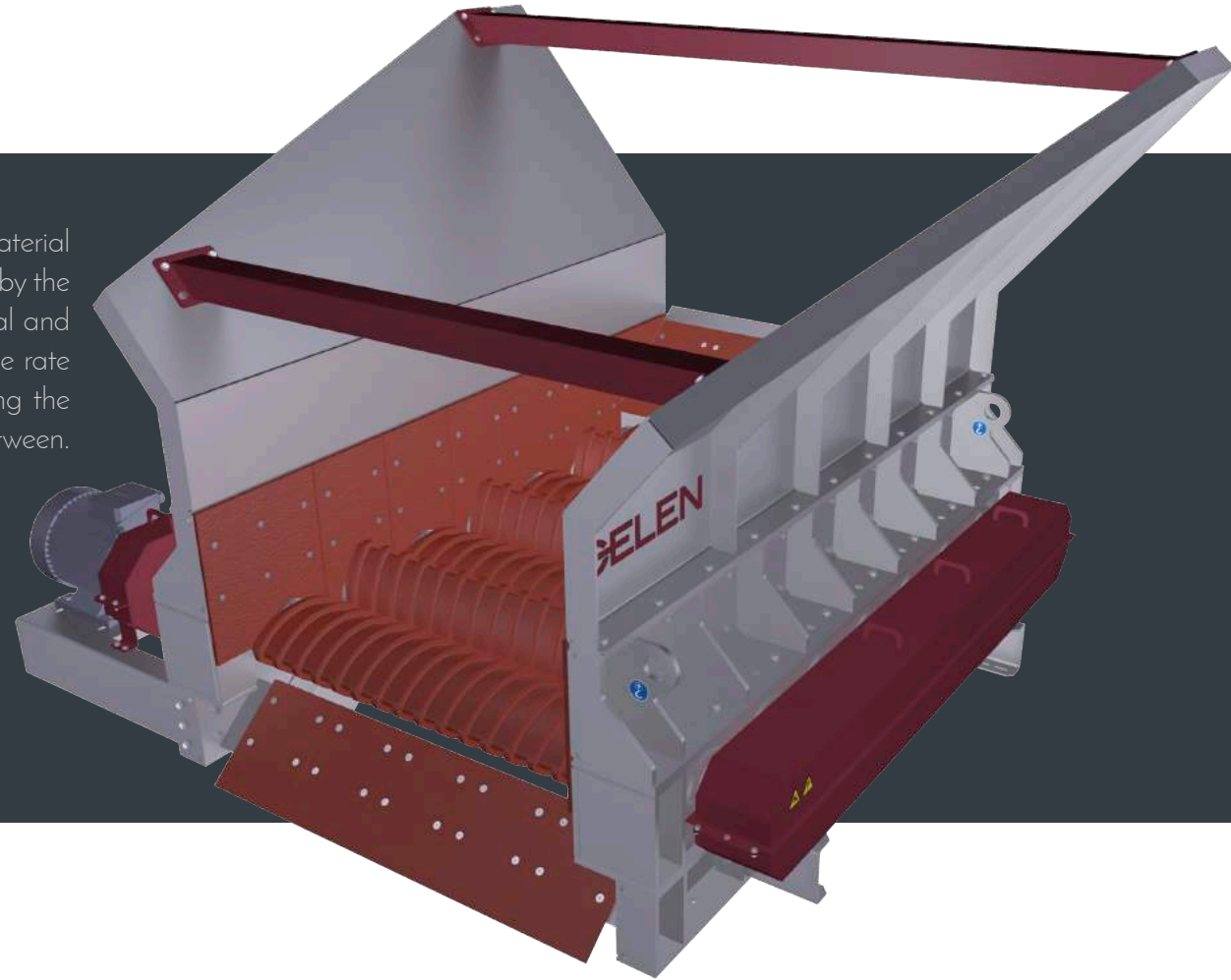
	MAIN DIMENSIONS mm		POWER kw
RB1460	1400	6000	90

WB SERIES

WOBBLER FEEDERS

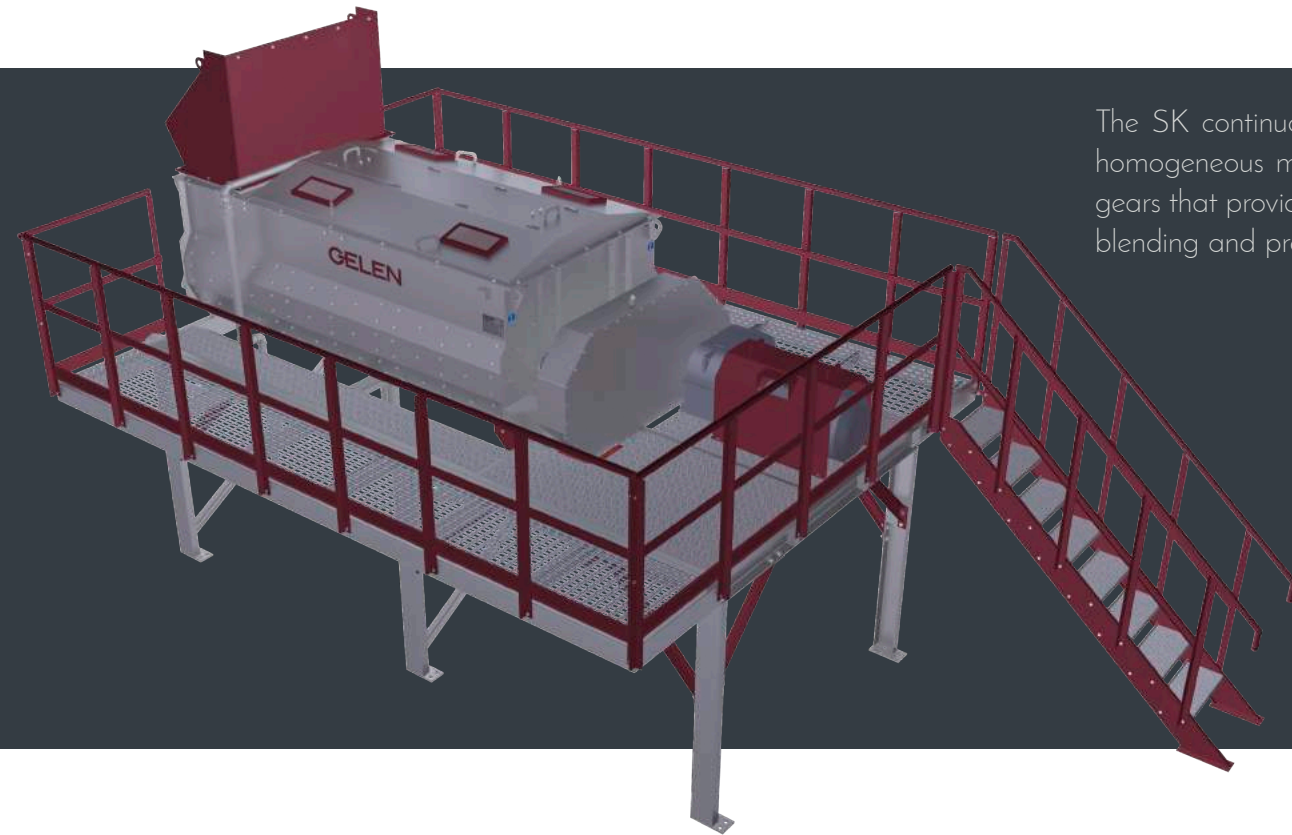
The WB series wobbler feeders are designed for feeding oversized material at a controlled rate and scalping out the fines. This is accomplished by the rotation of elliptical bars 90 degrees apart, one bar tip in a vertical and the next bar tip in a horizontal position. All bars rotate at the same rate of speed, moving the loaded material along the bars and causing the separation of the fines, mud and dirt through the constant gaps in between.

	MAIN DIMENSIONS mm		POWER kw
WB1630	1600	3000	37
WB1430	1400	3000	37



MP SERIES

CONTINUOUS MIXING PLANTS



The SK continuous mixers offer a highly efficient and aggressive mixing for producing a homogeneous mixture. By the two counter rotating shafts with paddles, along with timing gears that provide optimum speed to obtain the required quality mix is obtained. Controlled blending and proportioning ensures your end product is in the quality standards you require.

	MP500	MP350
METERING FEED HOPPERS m ³	4x20	4x15
CONTINUOUS MIXER TYPE	SK1430	SK1226
BASE COURSE SILO m ³	40	25
OUTPUT tph	450-550	300-400
TOTAL INSTALLED POWER kw	97	80



MAXIMUM EFFICIENCY

BAHTLARIŖ ALTIŖDAŖ
GEŖMEK
TEHLIKELI 88 YASAKTIR

BAHTLARIŖ ALTIŖDAŖ
GEŖMEK
TEHLIKELI 88 YASAKTIR

BAHTLARIŖ ALTIŖDAŖ
GEŖMEK
TEHLIKELI 88 YASAKTIR

BAHTLARIŖ ALTIŖDAŖ
GEŖMEK
TEHLIKELI 88 YASAKTIR

WASHING SYSTEMS

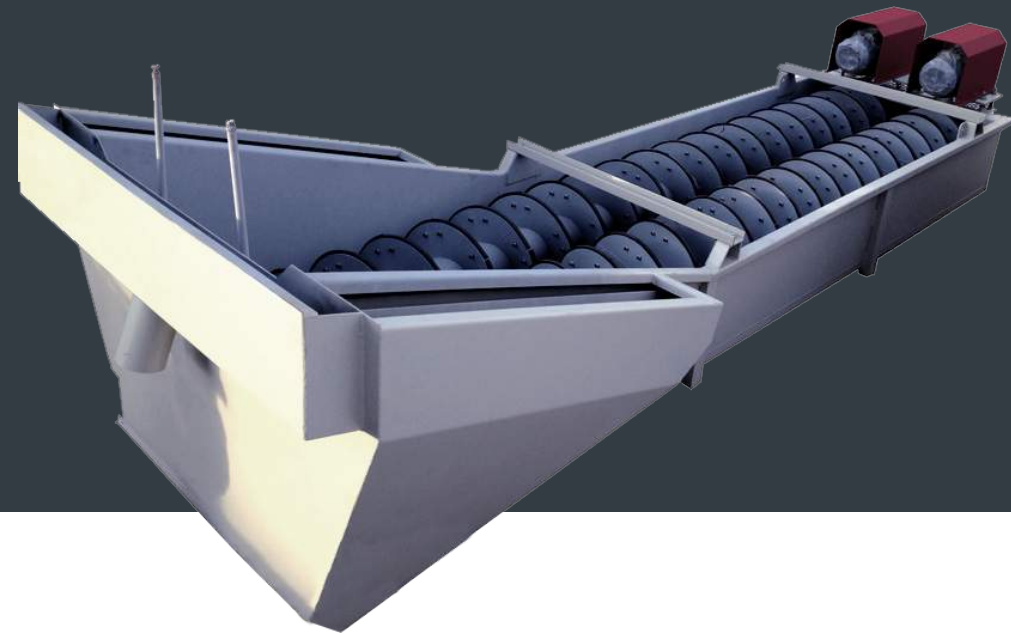
GELEN screw classifiers are used for washing and dewatering sand. It is an inclined conveyor which is composed of a tank in which the sand is washed and a spiral shaft which transports the washed sand up the incline to the chute during which the dewatering happens. GELEN has both the one spiral and the two spiral designs with different length selections suitable for different output needs.



HY SERIES

SCREW CLASSIFIERS

		MAIN DIMENSIONS mm	OUTPUT TPH		POWER kw	WEIGHT kg
			0-3 mm	0-7 mm		
SINGLE	HY800	Ø 800x8000	75	100	11	4.500
	HY600	Ø 600x6000	30	45	5.5	2.500
DOUBLE	HY800-2	Ø 800x8000-2	110	160	2x11	6.500
	HY600-2	Ø 600x6000-2	55	85	2x5.5	3.500
	HY500-2	Ø 500x5000-2	40	60	2x4	2.700



CONVEYING

The modular design of GELEN Belt Conveyors offer easy setup and maintenance in the work site. The welded construction of modules gives a reliable conveying experience. Impact rollers and bars are used to increase the service life of the belt absorbing the energy generated by the impacting material.

Highly efficient PU belt cleaners and sealing systems are standard GELEN conveying solutions.



AUTOMATION

The control room is where all the process is controlled and monitored. Depending on the site conditions and the customers needs GELEN finds a unique solution to maximize the uptime for every single crushing plant project.

Some of the features are:

- Process safety controls
- Collection of production data
- Malfunction records
- Current control
- Frequency control
- Sequential start/stop



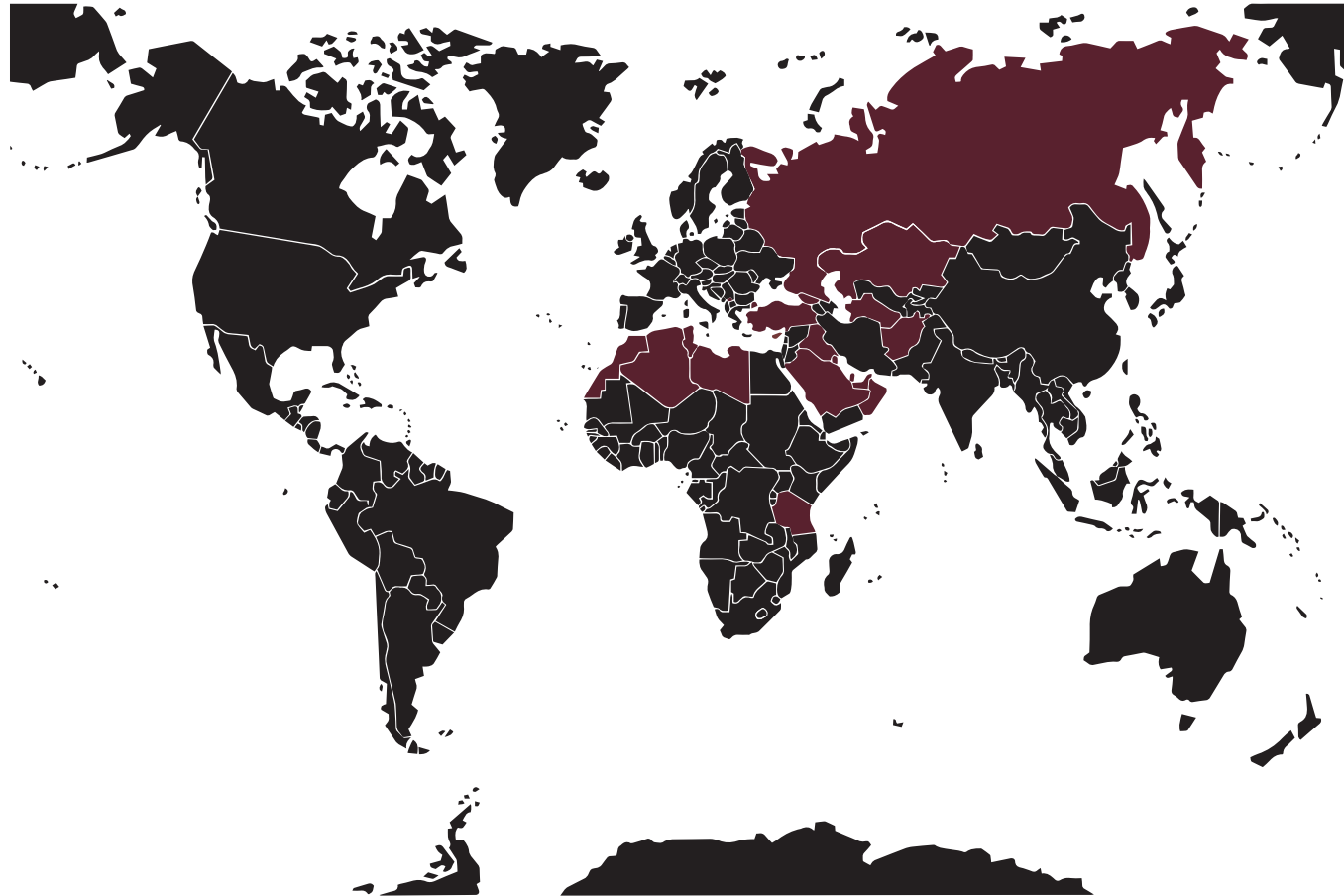
MOBILE UNITS

When it comes to short-term projects, easy setup and quick operation are key elements. Having this in mind GELEN has realized hundreds of mobile and semi mobile units throughout the years on rubber wheels.

Most of GELEN crushing and screening equipments can be mounted on a mobile chassis within the regulatory limitations.



REFERENCES



Afghanistan
Algeria
Azerbaijan
Cyprus
Georgia
Iraq
Kazakhstan
Libya
Morocco
Oman
Russia
Saudi Arabia
Tanzania
Tunisia
Turkey
Turkmenistan
U.A.E.

ASO 1. OSB, Ođuz Caddesi No: 31

Ankara, Turkey

+90 (312) 267 06 20

info@gelencrushers.com

<http://gelencrushers.com>