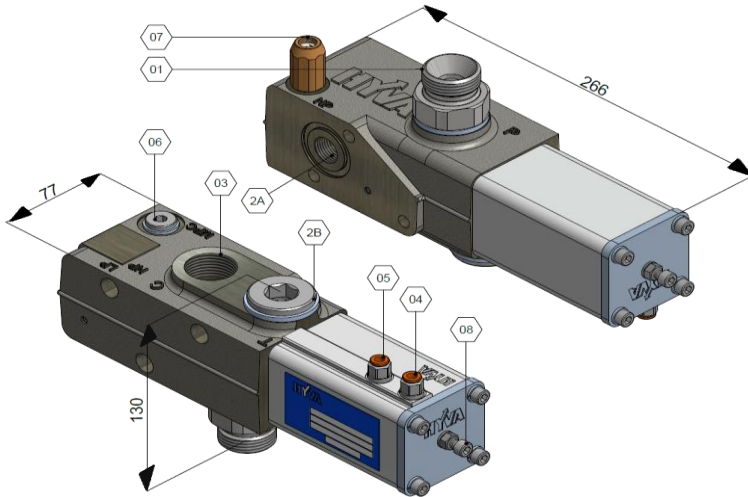


For direct mounting on  
 • TNK: Hyva tank mounting plate



3D model is available on request

- 1 P Pump connection
- 2A T1 Tank connection
- 2B T2 Alternative tank connection
- 3 C Cylinder connection
- 4 Pneumatic connection (Tip) 6 mm
- 5 Pneumatic connection (Lower) 6 mm
- 6 MPC Measure Pressure Cylinder (Pressure gauge point)
- 7 Pressure relief cartridge
- 8 Adjustment screw (int.hex. 5) (To adjust the lowering speed)

### Types

Hydraulic connections	Pressure (bar)	Part Number	Description
	Max.		
P: G1" T1: G1/2" T2: G1" C: G1" MPC: G1/4"	110	14767111	TIP VALVE HT-TNK-1220-110-P1"
	135	14767113	TIP VALVE HT-TNK-1220-135-P1"
	150	14767115	TIP VALVE HT-TNK-1220-150-P1"
	170	14767117	TIP VALVE HT-TNK-1220-170-P1"
	190	14767119	TIP VALVE HT-TNK-1220-190-P1"
	220	14767122	TIP VALVE HT-TNK-1220-220-P1"
	250	14767125	TIP VALVE HT-TNK-1220-250-P1"
	280	14767128	TIP VALVE HT-TNK-1220-280-P1"
	350	14767135	TIP VALVE HT-TNK-1220-350-P1"

Mounting kits	Kit number
Tank (TNK)*	14735168
Chassis**	14735208

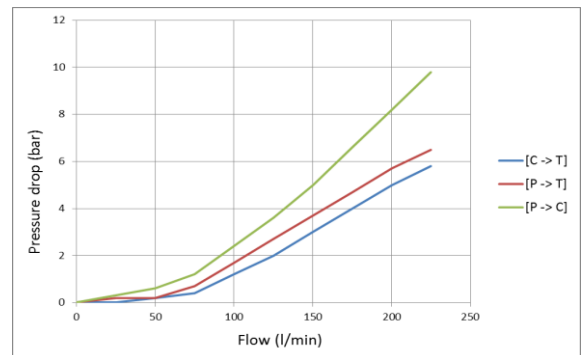
\* included with valve

\*\* not included with valve

### Specifications

Type	3/3 pneumatic operated tipping valve with proportional lowering		
Max. pump flow	220	L/min	
Max. pressure	350	bar	
Pneumatic pilot pressure	6 - 12	bar	
Max. pressure on T-connections	10	bar	
Min. filtration	25	µm	
Viscosity range	min / max	12 / 100	mm <sup>2</sup> /s (cSt)
Max. starting viscosity		1500	mm <sup>2</sup> /s (cSt)
Temperature range	min / max	-40 / 80	°C
Mass	6,1	kg	

### Δp - Q characteristic



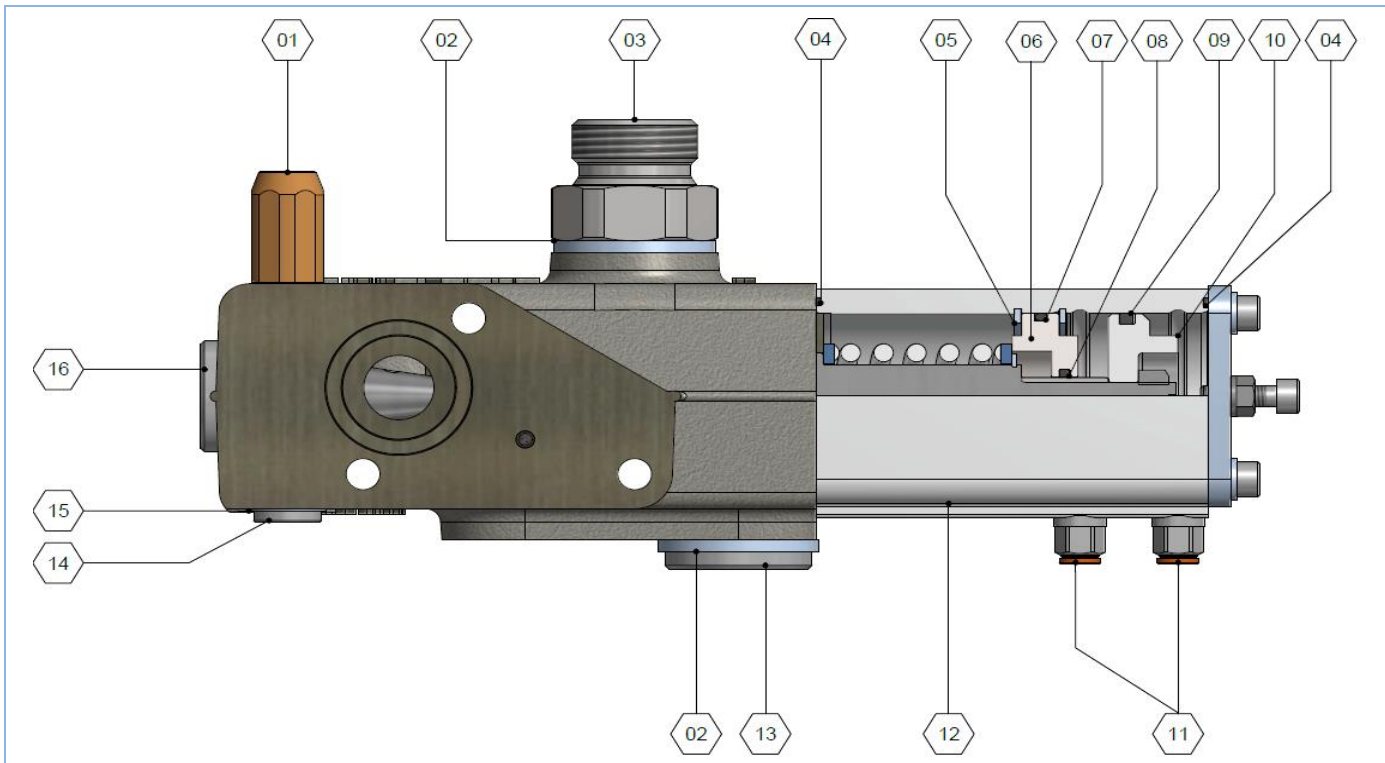
### Technical notes

• Mount the valve according the mounting instructions • Use the correct washers and adapters in the ports to prevent deformation of the housing. Do not use adapters with tapered threads • To further prevent deformation of the valve housing, the mounting plate surface or block must be completely flat and smooth • Do not weld to the valve • Ideal air pressure for valve is 8 bar • Make sure inlet air is dry and clean • Painted black (RAL9005)

### Related documentation

Mounting instructions: VAL-0022

Oil specifications: OIL-0011



### Spare parts

No.	Part no.	Description	Qty.
1	14772	Pressure relief cartridge	1
	110	110 bar	
	135	135 bar	
	150	150 bar	
	170	170 bar	
	190	190 bar	
	220	220 bar	
	250	250 bar	
	280	280 bar	
	350	350 bar	
	2	01313848	
3	14739975A	Non-return valve 1"	1
4	n.a; see repair kit	O-ring	2
5	n.a; see repair kit	Circlip	2
6	n.a; see repair kit	Closing plate	1
7	n.a; see repair kit	O-ring	1

No.	Part no.	Description	Qty.
8	n.a; see repair kit	Quadring	1
9	n.a; see repair kit	Quadring	1
10	n.a.	Piston air cylinder	1
11	14810517	Air coupling 6 mm	2
12	n.a; see repair kit	Aluminium head	1
13	n.a.	Plug 1"	1
14	n.a.	Plug 1/4"	1
15	01206813	Bonded seal 1/4"	1
16	n.a.	Plug M27	1

### Repair kits

	14844010	Seal kit (contains pos. 4, 7, 8, 9)
	14845003	Air cylinder kit (contains pos. 5, 6, 7, 8, 12)

### Hydraulic symbol HT valve

