

EN

OWNER'S MANUAL



ELECTRIC CONVECTOR HEATER

DOMESTIC black Series

SLIMLINE PANEL HEATER WITH
MECHANICAL CONTROL

MODEL: CH-1000 MD
CH-1500 MD
CH-2000 MD



User instructions

Please read and save these instructions

BEFORE FIRST USE

Read and follow all the instructions in this manual even if you feel you are familiar with the product, and find a place to keep it handy for future reference.

For your convenience record the complete model number (located on the product identification plate) and the date you received the product, together with your purchase receipt and attach to the warranty and service information. Retain in the event that warranty service is required.

NOTE: The rating of this product (as marked on the product identification plate) is based on specific loading tests. Normal use or the use of other recommended attachments may draw significantly less power.

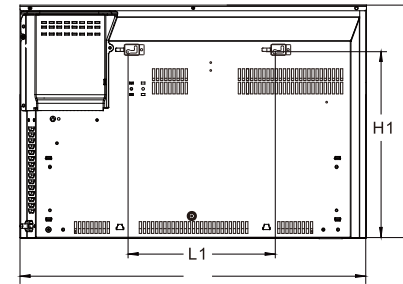
IMPORTANT SAFEGUARDS

When using any electrically powered product, basic safety precautions should always be followed, including the following:

PLEASE READ ALL INSTRUCTIONS CAREFULLY BEFORE USING THE PRODUCT.

WARNING - to reduce the risk of fire, electrical shock or injury to persons or property:

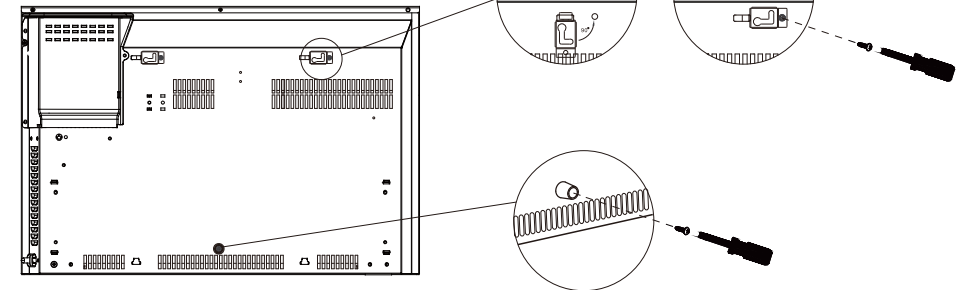
- Read all instructions before using this appliance and keep them for future reference.
- Use only the voltage specified on the rating plate of the heater.
- Do not cover or restrict airflow to the inlet or exhaust grilles in any manner as the appliance may overheat and become a fire risk.
- Do not cover grilles, block entry or exhaust of airflow by placing appliance against any surface. Keep all object at least 1 meter from the front, side and rear of the appliance.
- Do not place the appliance close to a radiant heat source.
- Do not operate in areas where gasoline, paint or other flammable liquids are used or stored.
- This appliance heats up when in use. To avoid burns, do not let bare skin touch hot surface. Switch off and let cooling before moving.
- Do not use the appliance to dry clothes.
- Do not insert or allow foreign object or metal utensils to enter any ventilation or exhaust opening, as this may cause an electric shock, fire or damage to the appliance.
- Do not immerse in liquid or allow running into the interior of the appliance, as this could create an electrical shock hazard.
- Do not reach for an appliance that has fallen into water. Switch off at supply and unplug immediately.
- Do not operate any appliance with a damaged cord, plug or after the appliance malfunctions or has been dropped or damaged in any manner. Return to a qualified electrical person for examination, electrical or mechanical adjustment, service or repair.
- Do not operate appliance with wet hands.
- The most common cause of overheating is deposits of dust or fluff in the appliance. Ensure these deposits are removed regularly by unplugging the appliance and vacuum cleaning air vents and grilles.
- Do not use this appliance in a window as rain may cause electric shock.
- Do not use a abrasive cleaning products on this appliance. Clean with a damp cloth (not wet) rinsed in hot soapy water only. Always remove plug from the mains supply before cleaning.
- Do not connect the appliance to the mains voltage until completely assembled and adjusted.



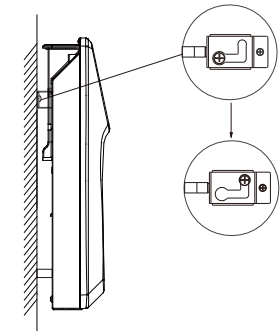
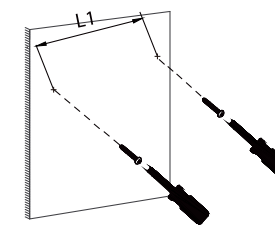
Specification

POWER (W)	L mm	H mm	L1 mm	H1 mm
500W	460	400	155	317
1000W	460	400	155	317
1500W	595	400	250	317
2000W	830	400	250	317

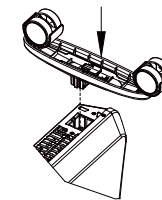
Wall mounted mode



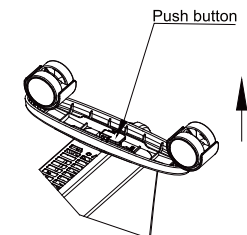
1. Insert the bracket (to the hole), turn it anticlockwise 90°, fasten it with screw;
2. Press the rubber pad (in the hole), fasten it with screw.



Caster Installation & removal



if the installation is complete, it's will hear a sound click.



press the button up, take down the caster

5.Warning

1. Fixing the heater rightly on the wall or put the heater in the right position.
2. The heater is to be installed so that the controls cannot be touched by a person using a bath or shower.
3. The heater is to be installed so that it is not located directly under a socket outlet.
4. When the heater is working as it is in free standing mode with the foot set, please do not use it in the vicinity of bath, shower, or swimming pool.
5. When the heater is working as it is in wall mounted mode, do not touch the control unit when using it in the vicinity of bath, shower or swimming pool.
6. Consult a qualified electrician or service technician If the power cord is damaged.
7. DO NOT cover the heater when it is working.
8. Always store the heater when not in use.
9. Make sure the heater has cooled down before store it away.

6.Service

When you require service, contact your local dealer.

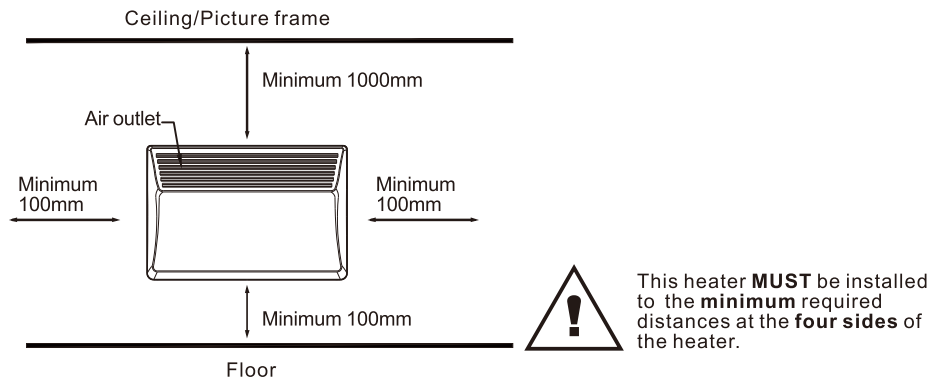
REPLACEMENT OF SUPPLY CORD

The supply cord damaged must be replaced by a service agent or equivalent qualified person in order to prevent a hazard.

7.Storage

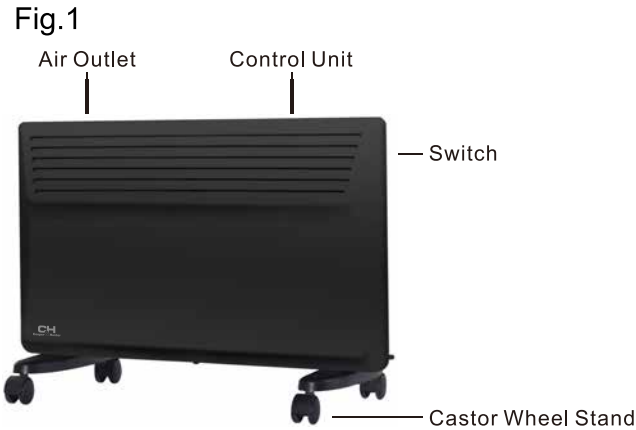
If you do not plan to use the heater for extended periods of time, it is recommended that the heater is cleaned and then stored (preferably in its original packaging) in a cool dry place.

Mounting Guide



- This appliance is not intended for use in outdoor locations.
- Do not use this appliance in the immediate surrounds of a bath, a shower or a swimming pool or other liquids.
- Always operate upright.
- Switch off and let cooling before moving.
- Do not operate with cord set coiled up as a build up of heat is likely, which could be sufficient to become a hazard.
- The use of an extension cord with this appliance is not recommended.
- Do not remove plug from power socket until the appliance has been switched off.
- Do not remove plug from power socket by pulling the supply cord-always grip plug.
- Always unplug appliance when not in use.
- CAUTION: This product is NOT suitable to be used on long pile carpets or Flokati rugs.
- Do not allow cord to come in contact with heated surface during operation.
- Do not run cord under carpeting, throw rugs or runners etc. Arrange cord away from traffic areas so that it will not be tripped over.
- Do not twist, kink or wrap the cord around the appliance, as this may cause the insulation to weaken and split. Always ensure that all cord has been removed from any cord storage area.
- Do not use outdoors or whilst standing on a damp floor.
- Do not store appliance while it is still hot.
- This appliance is not intended for use by young children or infirm persons without supervision.
- Young children should be supervised to ensure they do not play with the appliance.
- The appliance must not be located immediately below a socket-outlet.
- Do not use this appliance with another programmer, timer or any other device that switches the heater on automatically, since a fire risk exists if the appliance is covered or positioned incorrectly.
- All covers of this appliance is intended to prevent direct access to the heating elements and must be in place when the appliance is in use.
- WARNING: In order to avoid overloading, do not cover the heater."
- To reduce the risk of electric shock, do not immerse or expose the product or flexible cord to rain, moisture or any liquid other than those necessary for correct operation of the product.
- the fireguard does not give full protection for young children and for infirm persons.
- If the supply cord is damaged, it must be replaced by a qualified electrical persons in order to avoid a hazard.
- Do not use this appliance outdoors or on wet surfaces Avoid spilling liquid on the appliance .
- CAUTION: In order to avoid a hazard due to inadvertent resetting of the thermal cutout, this appliance must not be supplied through an external switching device, such a timer, or connected to a circuit that is regularly on and off by the utility."
- Use this appliance only as described in this manual. Any other use is not recommended by the manufacturer and may cause fire, electric shock or injury.
- This appliance is intended for household use only and not for commercial or industrial use.

Overview of the appliance



Specifications

Model Number	CH-1000 MD	CH-1500 MD	CH-2000 MD
Rated Power	500W/1000W	750W/1500W	1000W/2000W
Rated Voltage	220V-240V~50Hz		
Dimensions(mm)	460*107*400	595*107*400	830*107*400

1. The function module

This function module is designed for use with the Heller Panel Convector Heater. It is supplied fully assembled and can be replaced by an authorised technician. The heater must be shut down during installation. The function module contains an accurate electronic Thermostat.

Circuit Diagram

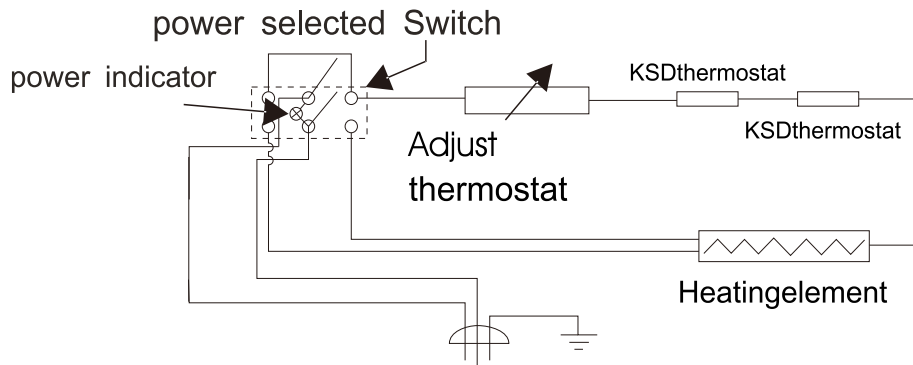
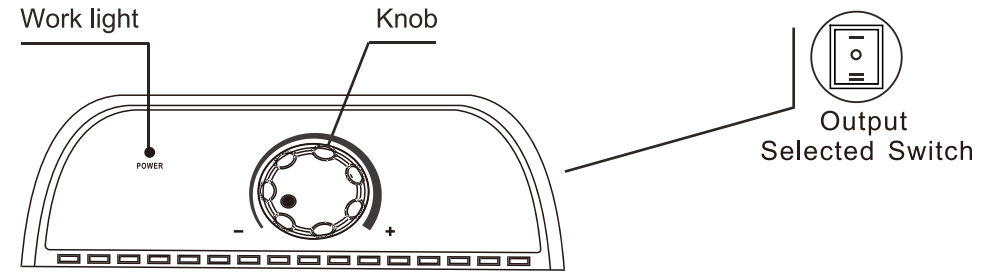


Fig.2 Control panel



2.Operation Guide

2.1 STARTING

- 2.1.1 Take out the heater from the carton carefully. Please save the carton for off-season storage.
- 2.1.2 Make sure the convector heater in OFF position before switching on.
- 2.1.3 Fixing the convector steadily according to the mounting instruction.
- 2.1.4 It's better not to use the same electric outlet with other high wattage electrical appliances in order to avoid overloading your circuit.

2.2 POWER CONTROL

Plug in the convector, then set the power selected switch "1(ON)"- "0(OFF)" -"2(ON)" switches to the 1(ON) and 2(OFF), then the heater will work with "I" power. If set the switches to the 2(ON) and 1(OFF), the heater will work with "II" power.

2.3 TEMPERATURE CONTROL

Plug in the convector, rotating the knob to set the desired temperature. When the ambient temperature is lower than the setting temperature, the convector starts to work, and the heating light will be on; when it is higher than the setting temperature, the unit will automatically switch to "STAND-BY" condition, and the heating light will be out.

3 SAFETY FEATURE

The unit is equipped with a high limit switch, the heater will automatically shut off if it is in an over-heating condition. It will automatically come back to work when it cools down.

4. User tips

CLEANING INSTRUCTIONS

The heater requires regular cleaning to ensure trouble-free operation:

- Unplug the heater from the mains supply before cleaning.
- Ensure that the heater has been allowed to cool down completely before cleaning.
- Use a damp cloth (not wet) to wipe the exterior of the heater to remove dust and dirt.
- Use a vacuum cleaner to remove dust and fluff from around the grilles.
- Ensure the heater is dry before plugging back into the mains supply.