

Since 1968

COMMAX
SmartHome & Security

User Manual

Door Camera DRC-4CPHD2



www.commax.com

COMMAX Co.,Ltd.



- Thank you for purchasing COMMAX products.
- Please carefully read this User's Guide (in particular, precautions for safety) before using a product and follow instructions to use a product exactly.
- The company is not responsible for any safety accidents caused by abnormal operation of the product.

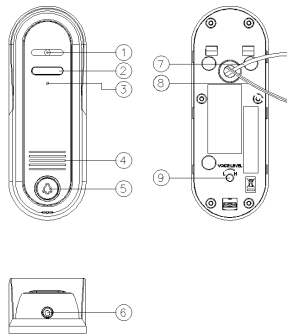
Contens

1. The names of Each Part
2. Wiring & Installation
3. Package
4. Specification

1. The names of Each Part

Front side

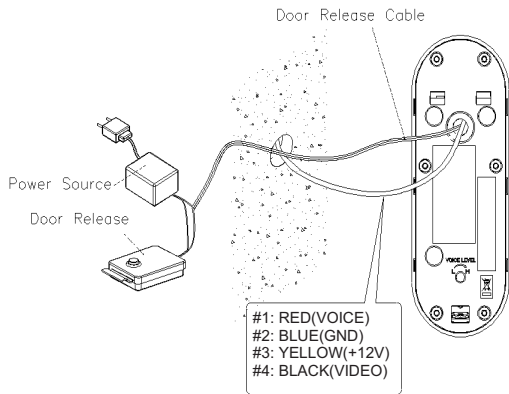
Back side



- | | |
|---------------|----------------------|
| ① Camera | ⑥ Mounting Holes |
| ② LED Lamp | ⑦ Monitor cable |
| ③ Microphone | ⑧ Door release cable |
| ④ Speaker | ⑨ Volume control |
| ⑤ Call Button | |



2. Wiring & Installation



[FIG-3]

1. Align holes on the wall where the unit is to be installed with mounting brackets hole and secure.

FIG-1 : Install the camera at a 30° angle to the left (install the bracket in reverse to angle 30° to the right)

FIG-2 : Install the camera at a perpendicular angle to the front

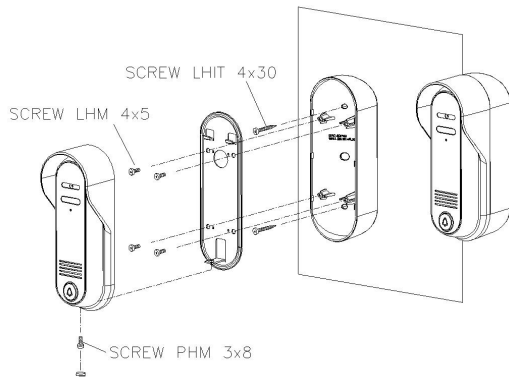
2. Wire the household monitor cables as shown below with matched polarity as picture below[FIG-3]

(#1:RED/VOICE, #2:BLUE/GND, #3:YELLOW/DC12V, #4:BLACK/VIDEO)

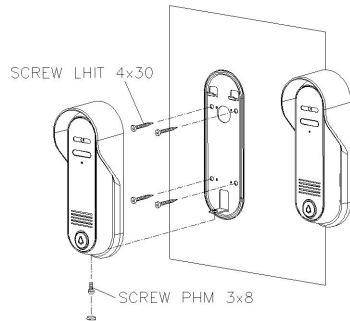
3. Wire the door release cable as shown in the diagram.[FIG-3]

4. Tighten using bolts and a wrench, then cover using the AL. screw covers.

5. It is recommended to use coaxial cable for video (VD) line and GND line during wiring of door camera and video monitor. When using UTP cable, video quality may be degraded.

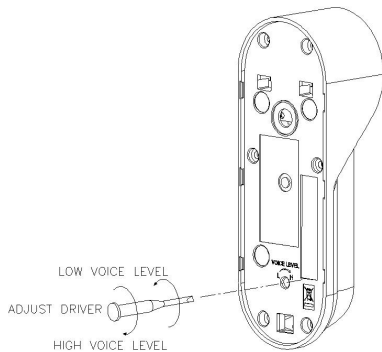


[FIG-1]



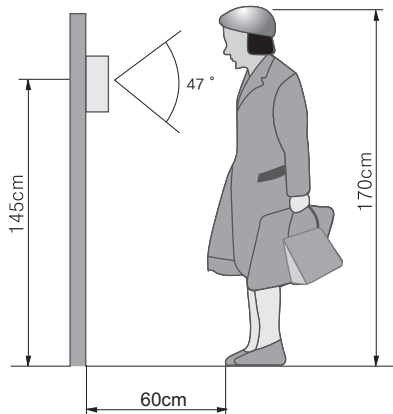
[FIG-2]

- You can adjust speaker volume using driver as shown below. [FIG-4]

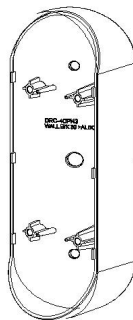
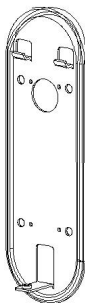
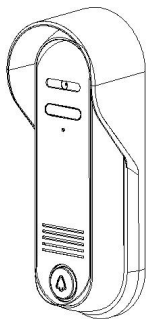


[FIG-4]

- Please refer to the below images regarding the installation position of the product.



3. Package



M/T HOLE CAP



SCREW PHM 3*8



SCREW LHM 4*5



SCREW LH1T 4*30



4. Specification

Model No.	DRC-4CPHD2	
Power Consumption	DC 12V (Supplied from monitor)	
Wiring (Main Unit /Door Release)	4 wires to a monitor (polarity) 2 wires to the door release (non-polarity)	
Sensor Type	CMOS 2 megapixel(AHD)	
Video Format	NTSC or PAL STANDARD.	
Communication	Simultaneous communication	
Minimum Illumination	0.1Lux (within 300mm / LED On)	
LED	Embedded night LED (activated at night)	
Effective Viewing Angle	97°(D)	
Operating Temperature	-10 °C(tested up to -40°C) ~ +40 °C	
Weight (g)	415g (B/K included)	
Dimension (mm)	59(W) x 164(H) x 42.1(D)	
Distance between a door camera and monitor(Resistance under 10Ω per 100 meters on UTP Cat 5e.)	Ø 0.5 UTP	
	28 meters	
Warranty Period	1 year	
Environment Condition	Storage Temperature	-40 °C to 50 °C
	Storage Humidity	Less than 90 %

COMMAX

COMMAX Co.,Ltd.

513-11, Sangdaewon-dong, Jungwon-gu, Seongnam-si, Gyeonggi-do, Korea
Int'l Business Dept. : Tel.; +82-31-7393-540~550 Fax.; +82-31-745-2133
Web site : www.commax.com

Printed In Korea / 2018.04.105