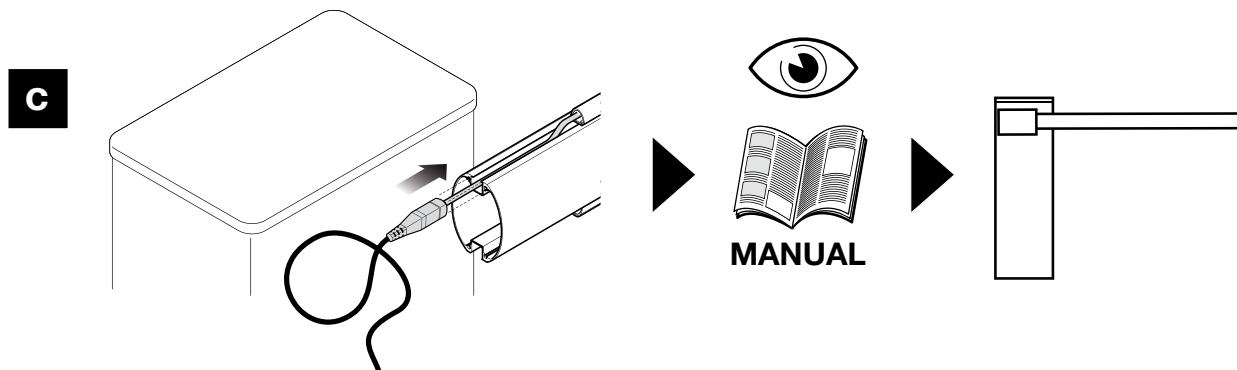
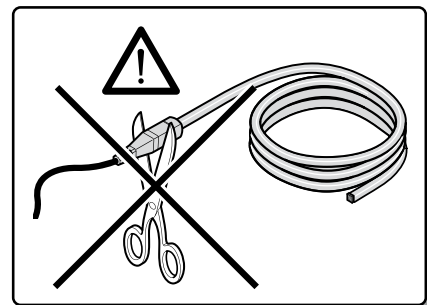
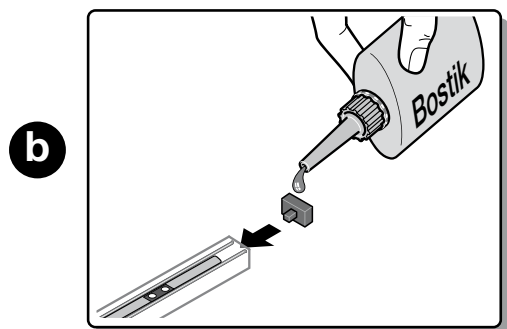
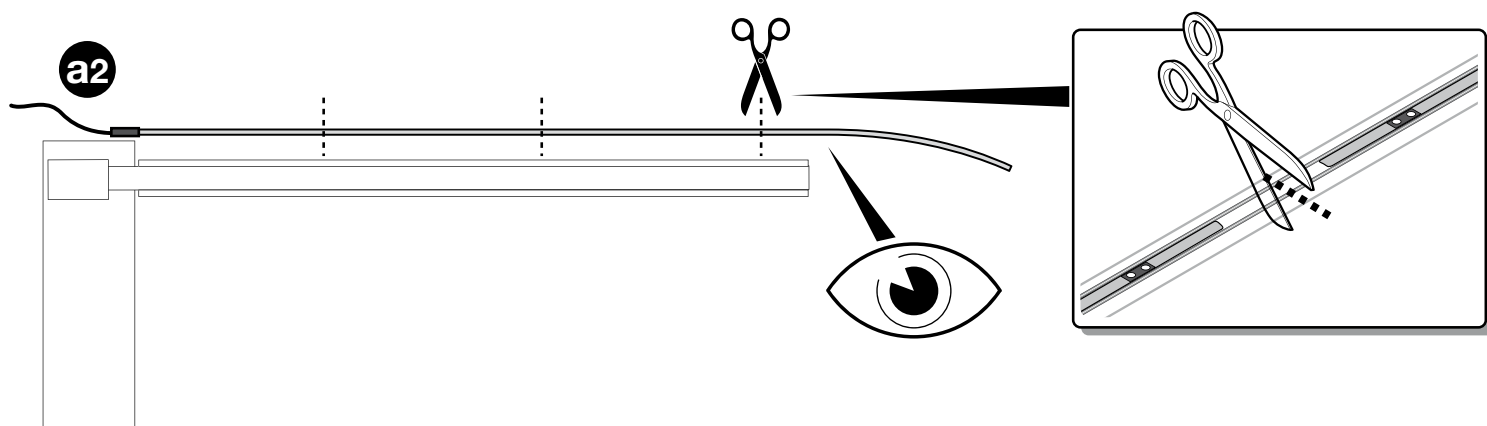
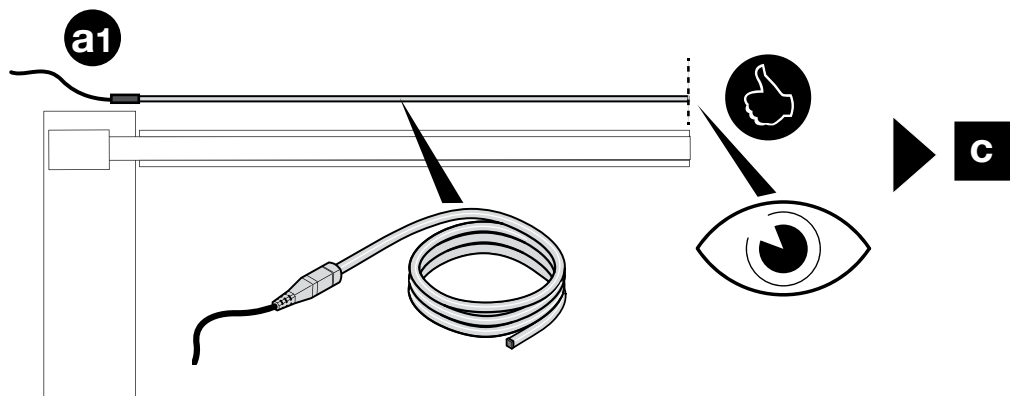


XBA4 - XBA6 - XBA18

ISO412A00MM_22-09-2015

Nice



15 - 35 V \equiv	BLACK - RED +	$\sim 10 \text{ mA} / 1 \text{ m}$	$-30^\circ \div +70^\circ \text{C}$	IP 66			
--------------------	---------------	------------------------------------	-------------------------------------	-------	--	--	--