

# 1.3 DULCOTEST® Conductivity Sensors

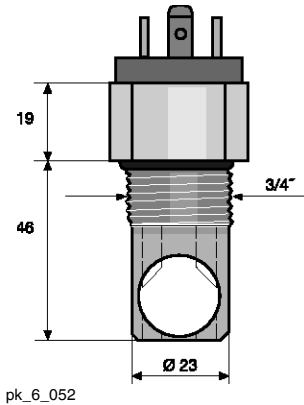
## Conductivity Sensor LM 1

Sensor for the measurement of the electrolytic conductivity for clear and also chemically contaminated water. With DIN 4-pin plug. For operation with the controllers Compact DCCa, DMTa, D1Ca

### Your benefits

- Measured variable: electrolytic conductivity above 0.1 mS/cm
- Cost-effective sensor for clear, chemically contaminated water
- Resistant to the constituents in the water of the target application

<b>Measuring range</b>	0.1...20 mS/cm
<b>Cell constant k</b>	1.00 cm <sup>-1</sup> ±5%
<b>Temperature measurement</b>	None, only for applications with constant temperature
<b>Medium temperature</b>	0 ... 70 °C (at 1 bar)
<b>Max. pressure</b>	16.0 bar, (at 50 °C)
<b>Sensors</b>	Graphite
<b>Shaft material</b>	PP
<b>Thread</b>	3/4"
<b>Length when fitted</b>	46 mm
<b>Installation</b>	Inline: direct installation into the pipework, bypass: with or without return of the sample water into the process line
<b>Electrical connection</b>	DIN 4-pin angle plug
<b>Enclosure rating</b>	IP 65
<b>Typical applications</b>	Potable, cooling, industrial, process water, Feed chemical separation
<b>Resistance to</b>	Ingredients in the water of the target application, taking into account the compatibility of the material
<b>Measuring and control equipment</b>	Compact DCCa, DMTa, D1Ca, AEGIS II
<b>Measuring principle, technology</b>	Conductive, 2 electrodes



pk\_6\_052

**Order no.**

LM 1

740433