

1.3 DULCOTEST® Conductivity Sensors

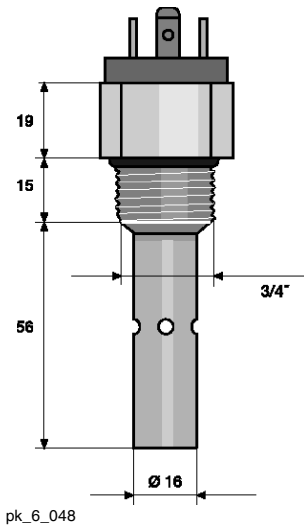


Conductivity Sensor LMP 001-HT

Sensor for the measurement of the lowest electrolytic conductivity for clear and also chemically contaminated water. For high temperatures, with integrated temperature measurement and DIN 4-pin plug. For operation with the controllers Compact DCCa, DMTa, D1Ca

Your benefits

- Measured variable: electrolytic conductivity above 0.01 µS/cm
- Cost-effective sensor for clear, chemically contaminated water
- Integrated Pt 100 for temperature compensation replaces separate temperature sensor and the corresponding sensor fitting
- Temperature resistance up to 100 °C



Measuring range	0.01...50 µS/cm
Cell constant k	0.01 cm ⁻¹ ±5%
Temperature measurement	Pt 100
Medium temperature	0...120 °C
Max. pressure	16.0 bar up to 100 °C,
Sensors	Stainless steel 1.4571
Shaft material	PVDF
Thread	3/4"
Length when fitted	71 mm
Installation	Inline: direct installation into the pipework, bypass: with or without return of the sample water into the process line
Electrical connection	DIN 4-pin angle plug
Enclosure rating	IP 65
Typical applications	General applications at higher temperatures, clean water applications, condensate.
Resistance to	Ingredients in the water of the target application, taking into account the compatibility of the material
Measuring and control equipment	Compact DCCa, DMTa, D1Ca
Measuring principle, technology	Conductive, 2 electrodes. Integrated temperature measurement

Order no.
LMP 001-HT 1020509

Please observe the general notes on p. → 1-85 (Overview Table for Conductivity Sensors)

