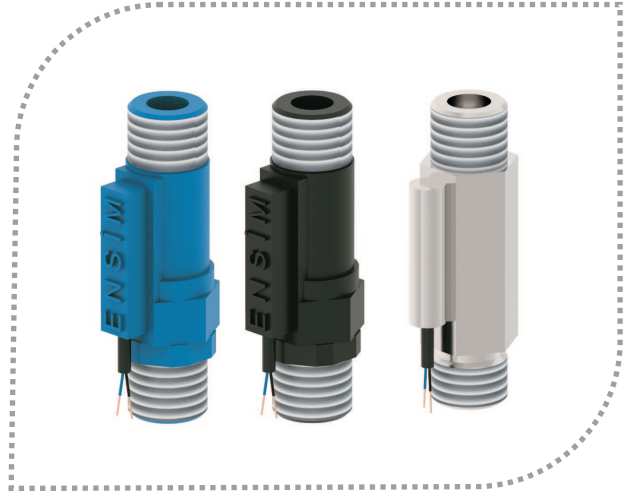
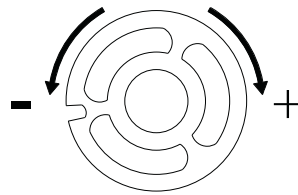


EFS is used in order to check safely whether there is flow or not by detecting movement for liquids inside the pipe. It provides information about flow with high reliability without spending energy in cooling water, in the devices such as flash heater, central heater boiler and heater. It should be assembled vertically.



Rising flow rate (For water) :
0,6...1,2 l/min or 1,5...2.5 l/min
The user can adjust the set point by turning the stamp in the body.



Technical Specifications :

EFS 11

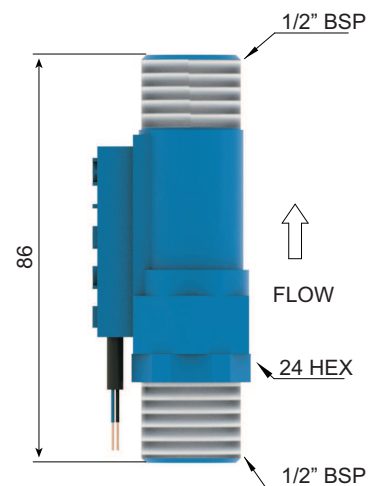
Fluid	Liquid
Working Temperature	(-) 20 °C / (+) 100 °C
Working Pressure	Max. 20 bar
Output	NO Single Contact (Reed Relay)
Connection	1/2" BSP Male Thread
Cable	0.5 m. PVC
Spring and Rove Material	Stainless Steel
Body Material	PP
Body Colour	Blue
Accuracy	Adjustable
Contact	0.7 A 10 W 150VDC / 120VAC

EFS FLOW SWITCH

- EFS 11**
- EFS 11x**
- EFS 12**
- EFS 13**

Advantages :

- * Practical way can be mounted.
- * Economical.
- * Relay circuit contactless with fluid.

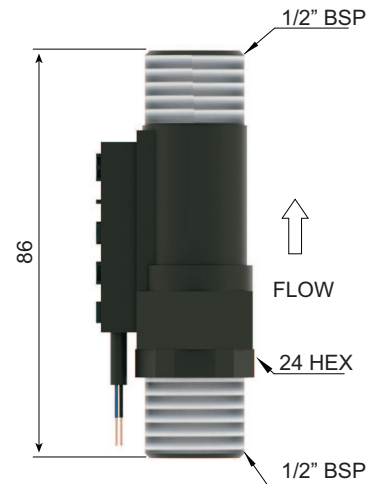


Model : 17-2019-002



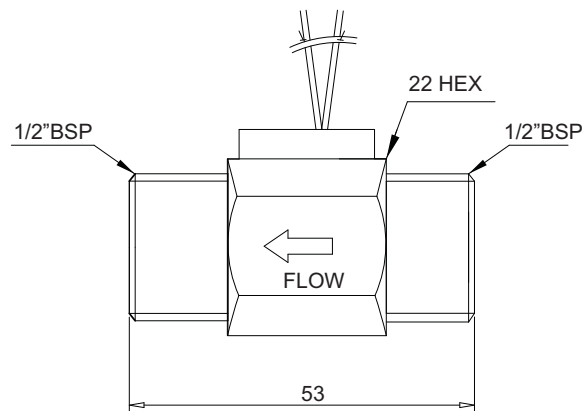
EFS 11x

Fluid	Liquid
Working Temperature	0 / (+)60 C
Working Pressure	Max. 10 bar
Output	NO Single Contact (Reed Relay)
Connection	1/2" BSP Male Thread
Cable	0.5 m. PVC
Spring and Rove Material	Stainless Steel
Body Material	PVC
Body Colour	Grey
Accuracy	Adjustable
Contact	0.7 A 10 W 150VDC / 120VAC



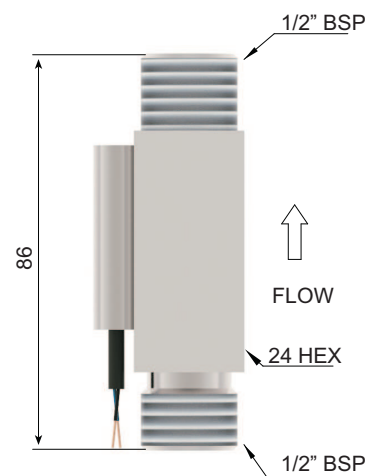
EFS 12

Fluid	Liquid
Working Temperature	0 / (+)100 C
Working Pressure	Max. 16 bar
Output	NO Single Contact (Reed Relay)
Connection	1/2" BSP Male Thread
Cable	0.3 mt. PVC
Rove Material	PP
Body Material	PP
Body Colour	Siyah
Accuracy	No Adjustable
Contact	0.5 A 10 W 150VDC / 120VAC



EFS 13

Fluid	Liquid
Working Temperature	(-)30 / (+)125 C
Working Pressure	Max. 20 bar
Output	NO Single Contact (Reed Relay)
Connection	1/2" BSP Male Thread
Cable	0.5 mt. PVC
Spring and Rove Material	Stainless Steel
Body Material	Stainless Steel
Body Colour	Metal
Accuracy	Adjustable
Contact	0.7 A 10 W 150VDC / 120VAC



Order Form : Please consider sample models when coding.

1 MODEL	
PP Body , Blue.....EFS 11	PP Body, Black.....EFS 12
PVC Body , Gray.....EFS 11x	Stainless Steel Body.....EFS 13

2 CERTIFICATE	
None.....0	(EN10204-3-1) Material Certification.....1

3 OUTPUT	
NO Reed Relay.....06	Special.....x

4 CONNECTION	
Thread 1/2 " BSP.....004	Special.....x

5 OPTIONEL	
None...../ 0	Special.....x

EXAMPLE

EFS 11x - 0 - 06 - 004 / 0
EFS 11x Flow Switch , PVC Body , 1/2 " BSP - 1/2 " BSP , NO Contact