

ECAPm level transmitter is a capacitive level sensor for level measurement of conductive liquid, nonconductive liquid and acidic/basic liquids.

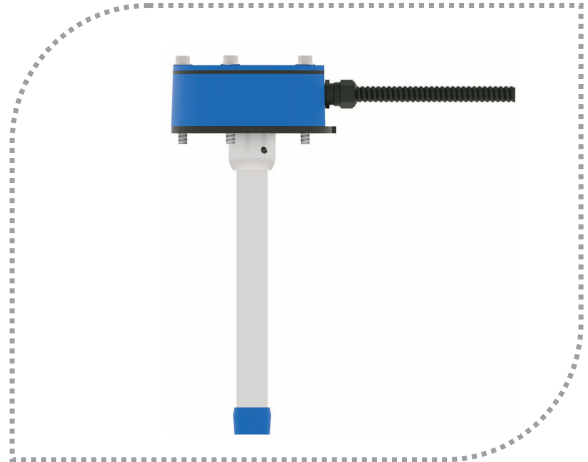
Full-empty calibration can be performed easily and safely. Different designs and different solutions related to industrial level measurement are offered especially for machinery manufacturers.

### Application Areas

Liquid tanks, food machines, cooling liquid tanks, shipping, glycol tanks, brine, waste water tanks.

Non-conductive liquid tanks like oil, liquidized CO2 etc.

Sticky hot and high viscosity liquid, acid and chemical liquids.



# ECAPr

## CAPACITIVE LEVEL TRANSMITTER

**ECAPr 203**  
**ECAPr 408B , 408T , 408Tm**

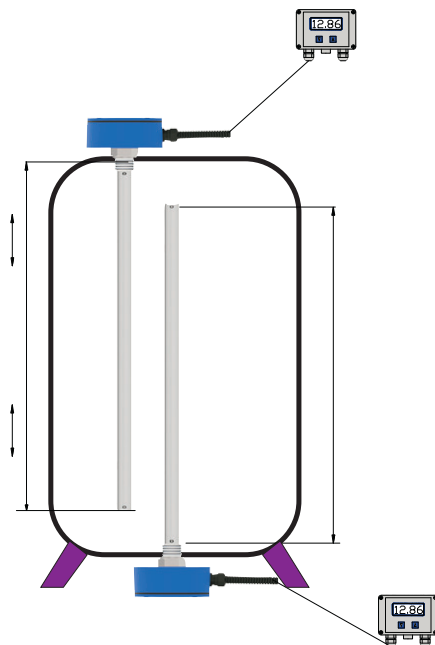
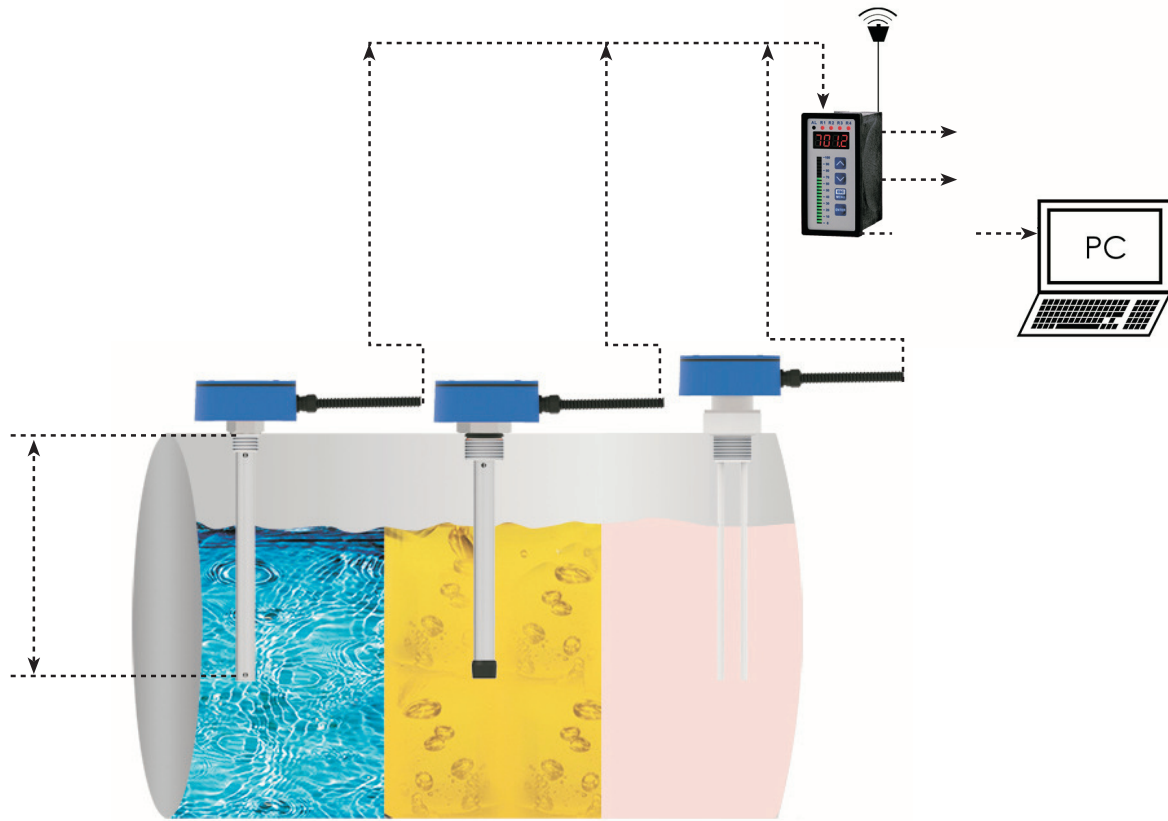
- \* It can be able to calibrated by customer
- \* There are no moving parts.
- \* Modular structure with easy assembly.
- \* Not affected by foam, liquid splashes.
- \* Not affected by vibration, has robust mechanical structure.
- \* Measurement along whole sensor.
- \* Operable upside down.



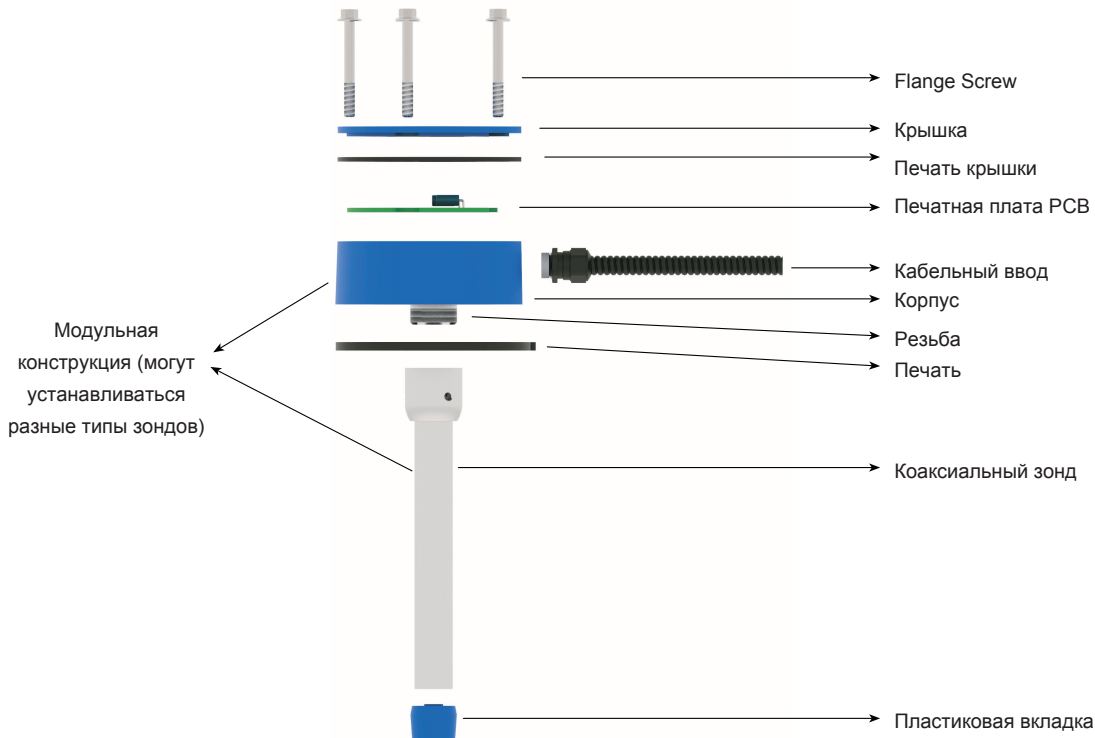
### Technical Specifications:

Measurable Material	Conductive liquids Low conductive liquids Adhesive and acid/basic liquids
Supply	9-36 VDC
Signal Output	3-330 Ohm, 3-180 Ohm, 13-1300 Ohm...
Accuracy	+/- % 2 , +/- %5
Probe Length	Min 150mm, Maks. 2000mm
Linearity	%0,5
Min. Di-Electric Constant	1,6 $\epsilon_r$
Connection Material	Aluminum, 304 St.St. , 316 St.St. PVDF, PTFE
Isolation Material	PFA Std.Opt. PTFE
Housing Material	Polyamide (Fiber reinforced)
Working Temperature	Max. 85°C 200°C with cooling apparatus
Ambient Temperature	(-)20 / (+) 60°C
Power Consumption	Max.250mW
Electrical Connection	Cable
Protection Class(EN60529)	IP 67
Test	EMC, Low voltage
Max.Tensile Force	Max. 10 Nm
Weight	358 gr. for ECAPr 203 1000mm 358 gr.





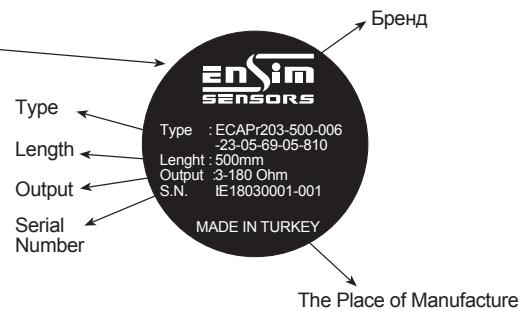
**Parts :**



**Электрическое соединение :**



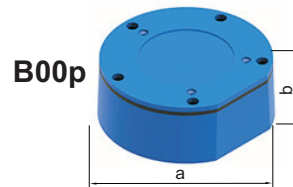
**Этикетка :**



**Calibration :**

Energize the probe. Immerse the probe into liquid about 0,5-1 cm from bottom. Wait 10 seconds and connect - touch- the calibration wire with (-) supply (chassis). Zero point calibration done. Now Immerse the probe up to max. level and do the same procedure with zero cal. Calibration is ended and cal. data saved.

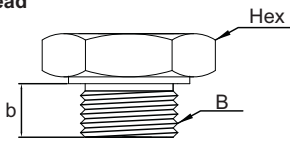
**Housing :**



ORDER CODE	TYPE	MATERIAL	PROTECTION CLASS	TEMPERATURE (°C)	SIZE a x b (mm)
05	B00p	Plastic	IP 65	-30...+100	Ø 93 x 35

**Mechanical Connection :**

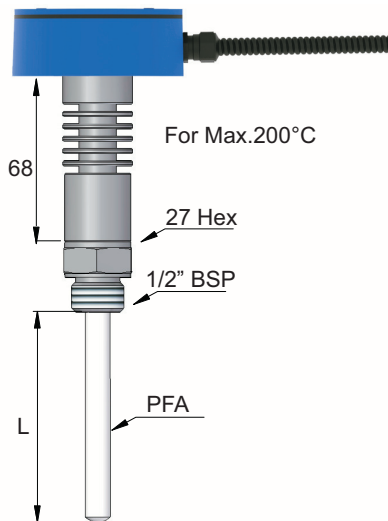
Thread



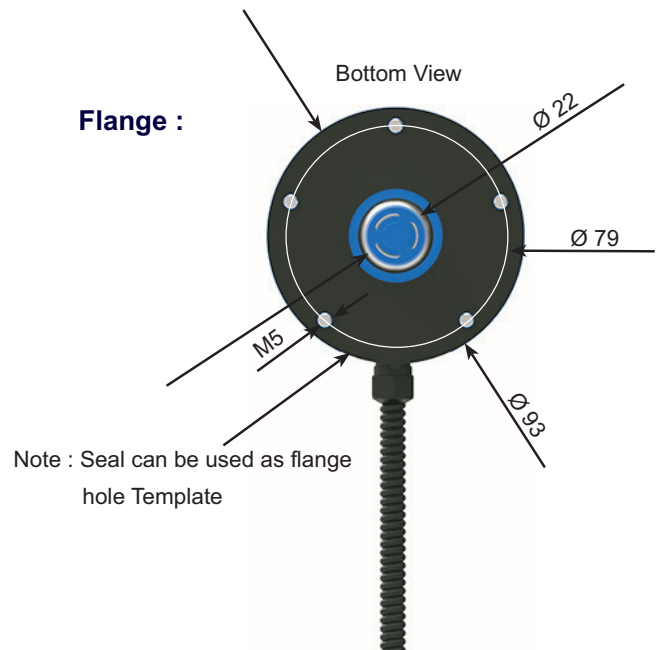
(ISO228-1)

Order Code	Dimension B	Hex [mm]	Screw Length b [mm]
003	1/2" BSP	27	14
004	3/4" BSP	27	14
005	1" BSP	32	14
006	1 1/4" BSP	36	23
007	1 1/2" BSP	51	23
008	2" BSP	60	23

**Cooling :**



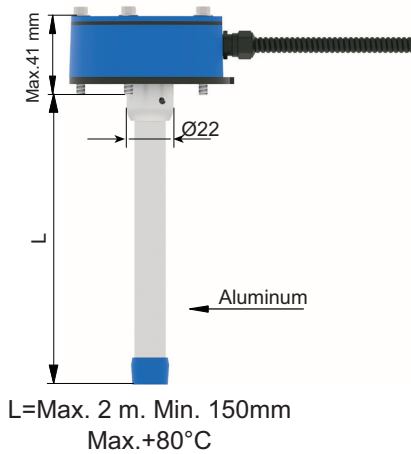
**Flange :**



**Sample Models:**

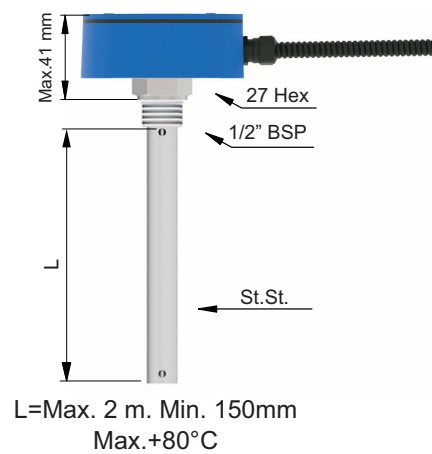
**LOW CONDUCTIVE LIQUIDS**

**ECAPr 203**  
Coaxial Probe  
Conductive / Insulated Tank



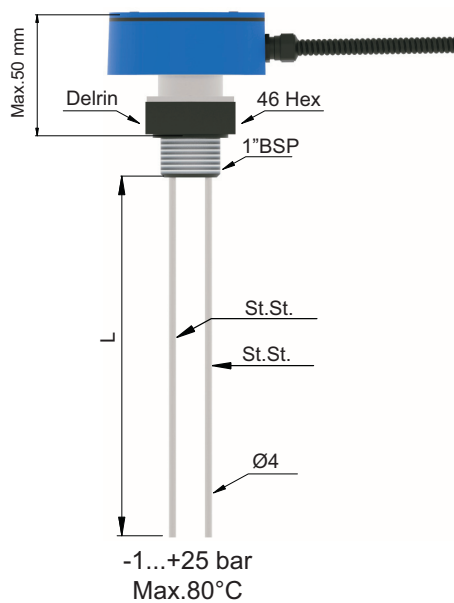
**CONDUCTIVE LIQUIDS**

**ECAPr 203**  
Coaxial Probe  
Conductive / Insulated Tank



**ADHESIVE AND  
ACID / BASIC LIQUIDS**  
**ECAPr 408B**

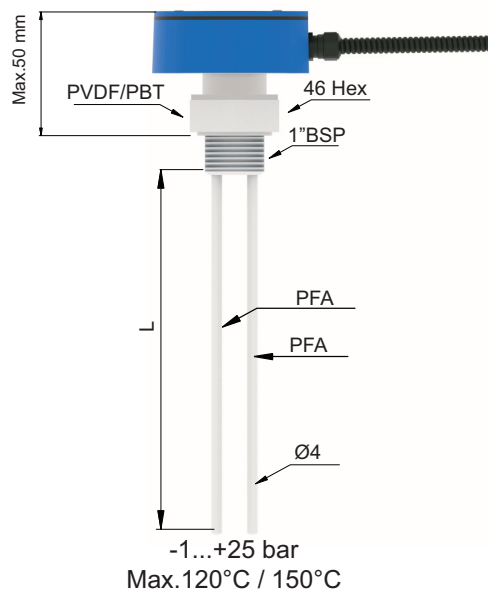
Double Probe - Non Insulated  
Conductive / Insulated Tank



L=Max. 2 m. Min. 150mm

**ADHESIVE AND  
ACID / BASIC LIQUIDS**  
**ECAPr 408Tm / 408T**

Double Probe - Non Insulated  
Conductive / Insulated Tank



L=Max. 2 m. Min. 150mm

**Order Form : Please consider sample models when coding.**

**1 MODEL ECAPr**

Conductive Liquids.....	1	Adhesive and Acid/Basic Liquids.....	4
Low Conductive Liquids .....	2		

**2 CERTIFICATE**

No .....	0	(EN10204-3-1) Malzeme Sertifikasyonu.....	1
----------	---	---	---

**3 PROBE TYPE**

Single Probe - Insulated (Max.1000mm) .....	1	Double Probe - Non Insulated (Max.1000mm).....	8B
Coaxial Probe (Max 1000mm) ...Ø13 or 21mm.....	3	Double Probe - Double Insulated (Max.1000mm).....	8T
Single Probe - Non Insulated (Max.1000mm) ....	5	Thin Double Probe - Double Fully Insulated (Max.1000mm).....	8Tm
		Special.....	X

**4 STEM LENGHT (Min. 150mm)**

...mm.....	0
------------	---

**5 PROCESS TEMPERATURE**

Max.85°C Standard .....	0	80°C For Plastic (Delrin) Model.....	2
200°C with Cooling Apparatus .....	1	120°C For Plastic (PVDF) Model .....	3
		150°C For Plastic (PBT) Model.....	4

**6 CONNECTION**

Flanged with 5 poles (on body).....	999	1 1/4" BSP.....	007
1/2" BSP .....	004	1 1/2" BSP .....	008
3/4" BSP .....	005	2" BSP.....	009
1" BSP.....	006	Special.....	X

**7 OUTPUT**

3-180 Ohm.....	23	Special.....	X
10-180 Ohm.....	24		
240-33 Ohm.....	25		

**8 HOUSING**

Plastic , B00p for OEM .....	05	Special.....	X
------------------------------	----	--------------	---

**9 INSULATION MATERIAL**

PBT.....	65	Polyamid.e.....	69
PTFE.....	66	Ceramic.....	70
PFA.....	67	Rubber.....	81
PEEK.....	68	FKM.....	84
		Special.....	X

**10 CONNECTION MATERIAL**

304 Stainless Steel .....	01	PVDF.....	64
316 Stainless Steel .....	02	PBT.....	65
Aluminum (Std.).....	07	PTFE.....	66
Polypropylene.....	62	Special.....	X
Delrin.....	63		

**11 ELECTRICAL CONNECTION / CABLE DIMENSION (m.)**

PVC Cable (Max.105°C).....	81	Silicon Cable (Max.200°C).....	82
		Special.....	X

**12 OPTIONAL**

No.....	/ 0	Special.....	X
---------	-----	--------------	---

**SAMPLE**

ECAPr 203 - 300mm - 999 - 23 - 05 - 69 - 07 - 81 / 2 / 0

ECAPr for Low Conductivity Liquid, L=300mm, Flaşlı (5 poles), 3-180 Ohm, PVC Cable, 2m.