

ELG magnetic by-pass level indicators are assembled onto external or upper surfaces of tank, boiler and storage tanks. It enables to see level easily and with high accuracy. It is more economic than other measurement systems with mechanical method and it provides advantages for user with various assembly forms together with easy of assembly and maintenance.

Working Principle :

Liquid levels are the same in the main body of tank and level indicator in accordance with the principle of computational fluid. Float, which is available in the body and provides its rotation. Liquid level can be monitored easily from outside by means of two faces of flaps with different colors. Each indicator is delivered to customer after they are undergone from pressure, impermeability and final control tests after the production.



ELG

- ELG** (Max. 16 bar / 25 bar)
- ELGs** (Max. 16 bar)
- ELGp** (Max. 5 bar)
- ELGk** (Max. 40 bar)
- ELGy** (Max. 100 bar)
- ELGu** (Max. 16 bar)

Advantages :

- * For visual monitoring and control
- * The analog signal can be output
- * Different connection options
- * Different material options
- * Local digital display

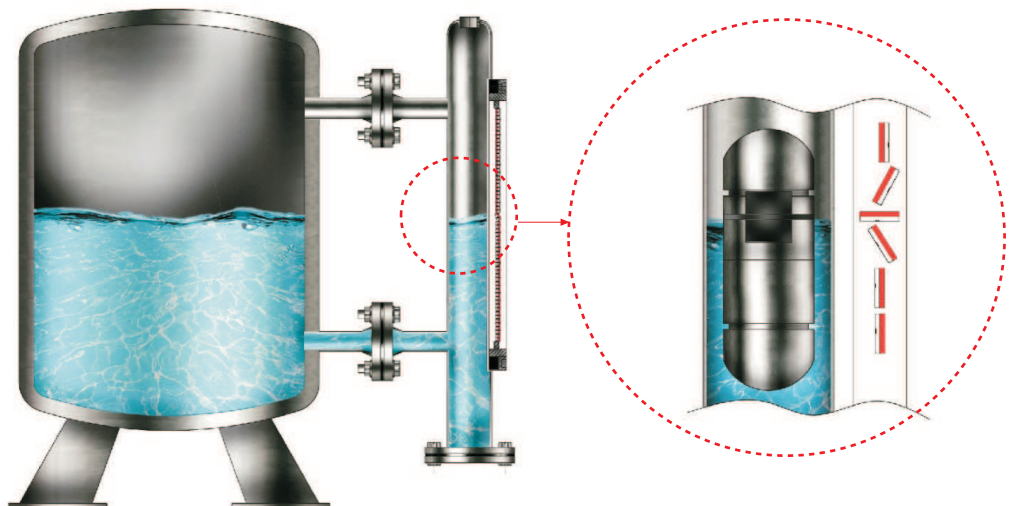
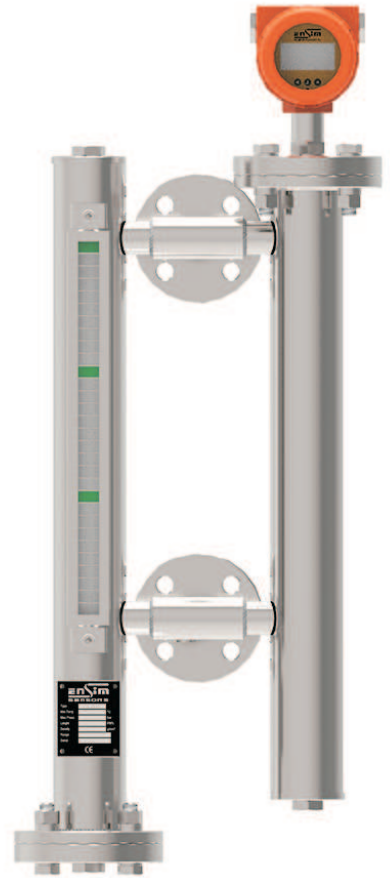
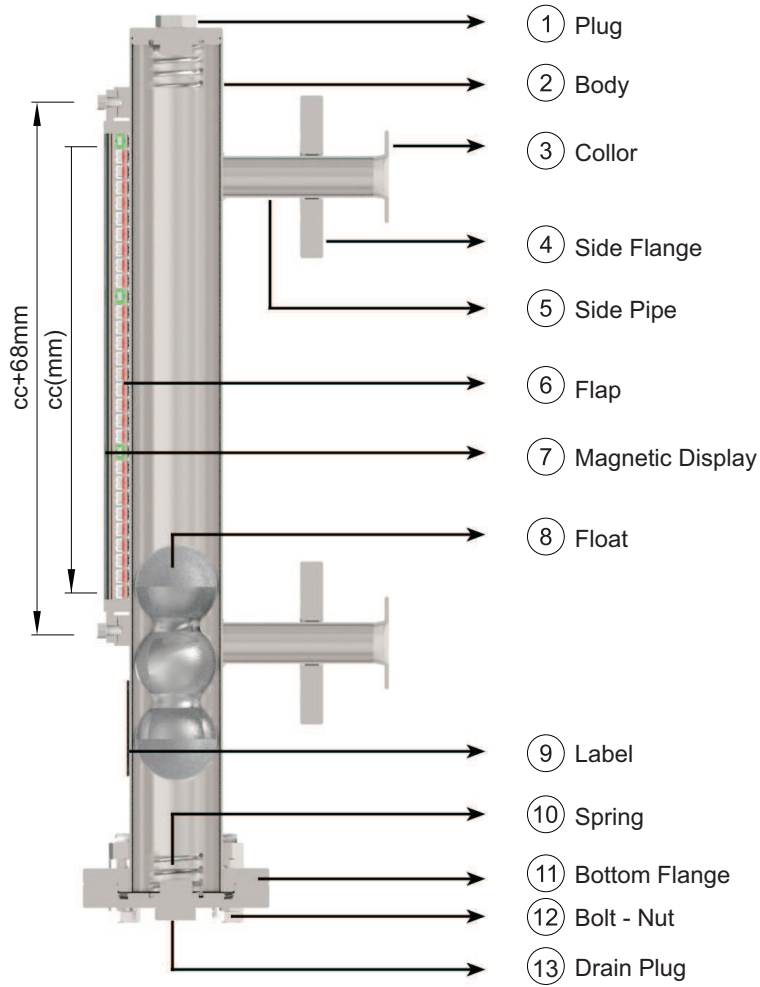


Technical Specifications :

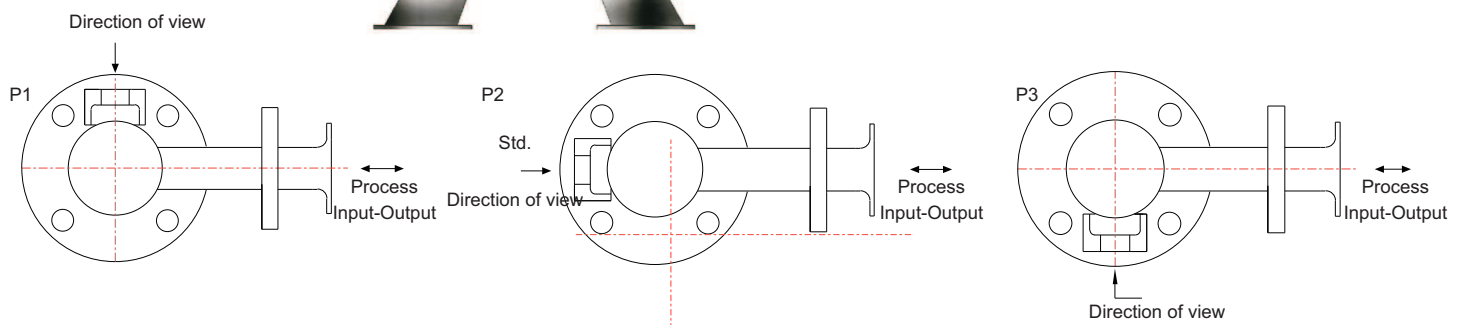
Magnetic Display	It is composed of sequential array of magnet sensitive flaps in the aluminium profile.
Top / Bottom / Side Flange	DN 32 / PN 16, 304 St.St. Opt.316 St.St. Ø140 / PN 40 , 304 St.St. Opt.316 St.St. Ø195 / PN 100 , 304 St.St. Opt.316 St.St.
Body Material	Ø 60.3 x 1,5 / 2 / 3 / 3,5 mm 304 St.St. Opt.316 Stainless Steel Ø 63 x 3 mm, PVC Ø 63 x 2 mm, Titanium
Seal Material	Klingrid Opt. PTFE and graphite
Side Pipe Material	3/4" 304 Stainless Steel Opt.316 Stainless Steel / PVC
Connection Flange	DN 20 / PN 16, Carbon Steel Opt. 304 / 3016 Stainless Steel / PVC / Titanium
Drain Screw Material	1/2" BSP 304 Stainless Steel / 316 Stainless Steel
Bolt / Nut / Washer	M12 x 45 mm / M16 x 70mm 304 St.St.
Optional	Magnetic Contact Analog Output Scale Drain Valve Liquid Level Relay Local Digital Display Heating Jacket, Special Design

Model : 36-2019-005

Accessories :

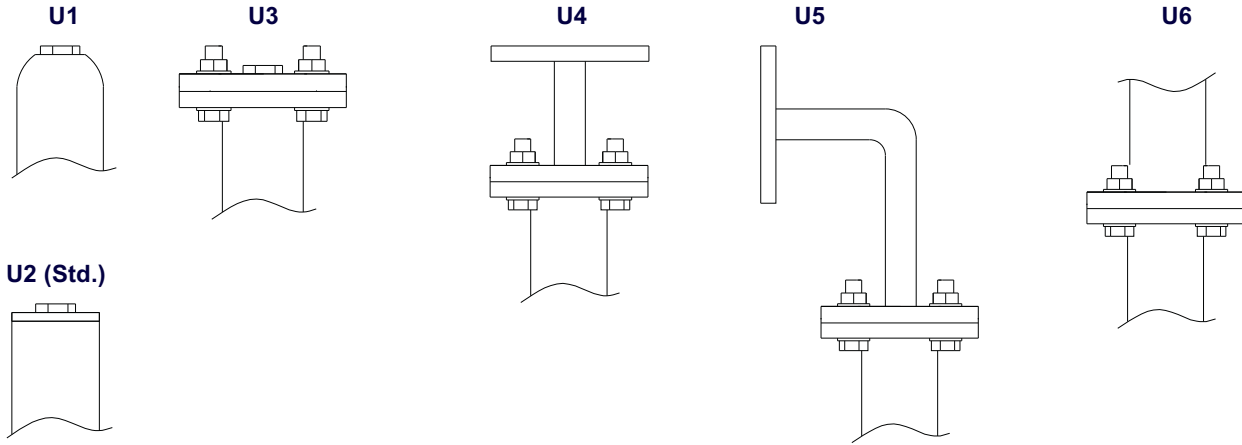


Indicator Place :

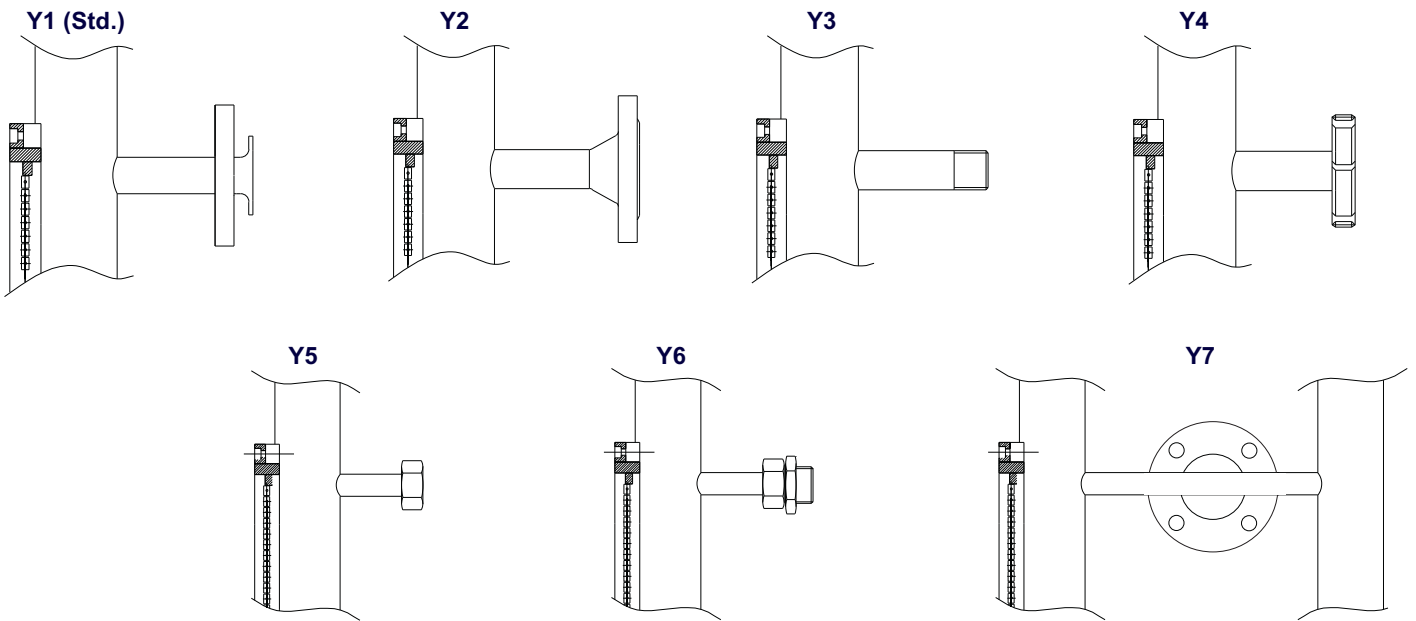


Connection Forms :

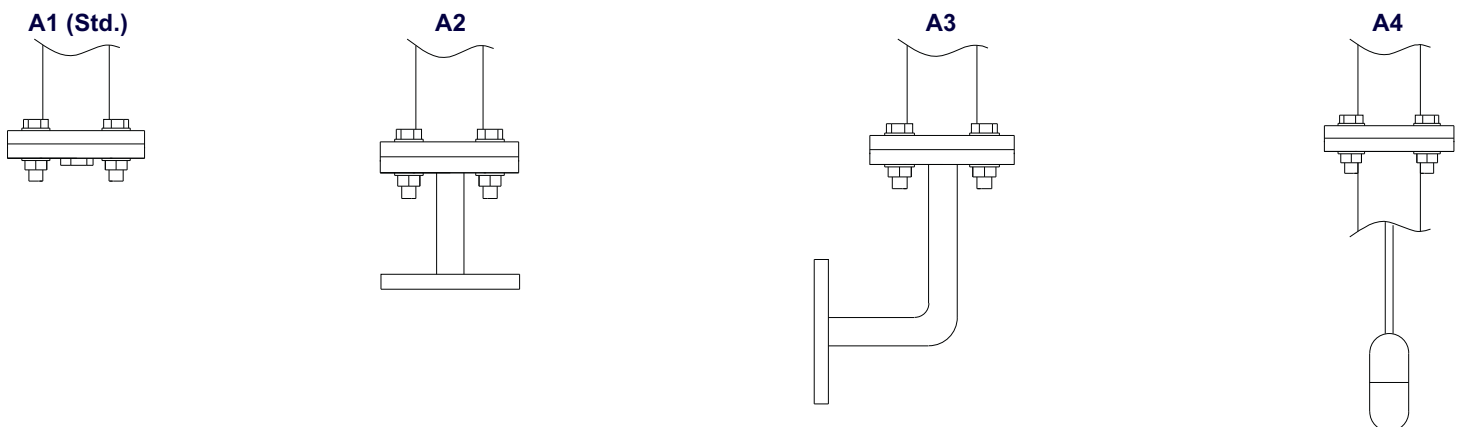
Top Body Connection:



Process Connection :

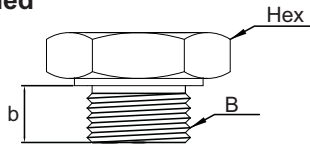


Bottom Body Connection:



Mechanical Connections:

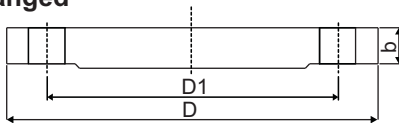
Threaded



ISO228-1

Order Code	Size
B01	3/4" BSP
B02	1" BSP
B03	1 1/2" BSP
B04	2" BSP
N01	3/4" NPT
N02	1" NPT
N03	1 1/2" NPT
N04	2" NPT

Flanged



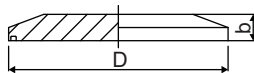
ISO1092-1

Order Code	Size	Pressure Class
102	DN 20	PN 16
103	DN 25	
104	DN 32	
105	DN 40	Opt.
106	DN 50	PN 25
107	DN 65	PN 40
108	DN 80	PN 100
109	DN 100	
110	DN 150	
111	DN 200	

ANSI B16.5

Order Code	Size	Pressure Class
602	3/4"	150 Lb
603	1"	
605	1 1/2"	Opt.
606	2"	300 LB
607	2 1/2"	600 LB
608	3"	900 LB
609	4"	
610	6"	
611	8"	

Clamp



ISO2852

Order Code	Size
C01	DN 32
C02	DN 50
C03	DN 65

LEVEL CONTROL DEVICE

Power Supply	220 VAC , 2.8 VA
Output	2 pcs. 5 A / 250 VAC (Start - Stop)
Working Temperature	(-) 20 °C / (+) 70 °C
Dimension	72 mm x 72 mm
Input	Contact information, coming from ELG Isolated input-output

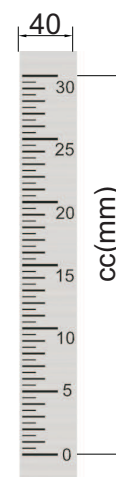
SK-P1



SCALE

ELG - SK

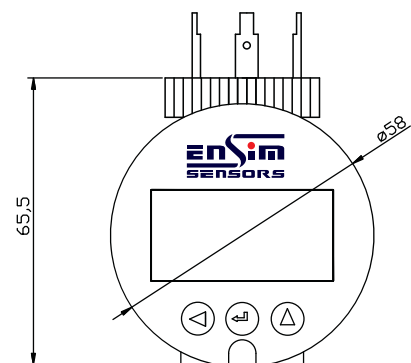
Material	304 Stainless Steel
Dimension (CC)	40 x 1.5 mm
Working Temperature	(-)20 °C...(+) 350 °C



SK-P1

LOCAL DIGITAL DISPLAY

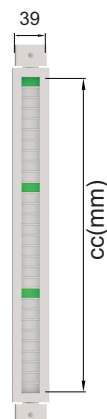
Output	4-20 mA Two Wire
Power Supply	24 VDC , (Supplied by current loop)
Output	Two independent PNP
Switching Performance	Max. 120 mA , Short circuit protection
Switching Frequency	Max. 10 Hz.
Delay Time	0-255 ms
Switching Cycle	> 100 x 10 ⁶
Repeatability	≤ ± 0,1 % Full Scale
Electrical Protection	IP 65 , Reverse polarity protection
Display	Double 5 digit / 8 digit 7 segment / 16 segment LCD
Scale Range	(-) 19999 ... (+) 99999
Accuracy	% 0,1 ± 1 digit
Material of Housing	PA 6.6 , Polycarbonate Opt. Aluminum Double Cell Housing
Mechanical Stabilité	Vibration: 59 RMS (20-200 Hz) Anti- Shock : 100 g / 11 ms
Working and Ambient Temperature	(-) 25 °C ... (+) 80 °C
Ambient Humidity	% 20 RH... 80 RH



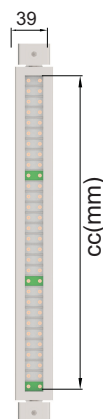
DISPLAY

	ELG - G	ELG - HT	ELG - F
Case	304 Stainless Steel	304 Stainless Steel	304 Stainless Steel
Flaps	Plastic	Ceramic	Aluminium
Colour	Red / White	Red / White	Red
Max. Temperature	(-) 20 °C...(+) 180 °C	Optional (-)20 °C...(+) 350 °C	(-) 20 °C...(+) 180 °C
Min. Length	50 mm Remote monitoring is provided easily by using a different color in each 100mm.	50 mm also using a different color for every 100 mmIt provided remote monitoring easy.	Min.200 mm
Flap Protection	Plexiglass	Glass	Glass

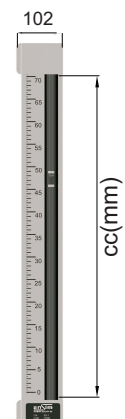
ELG - G



ELG - HT



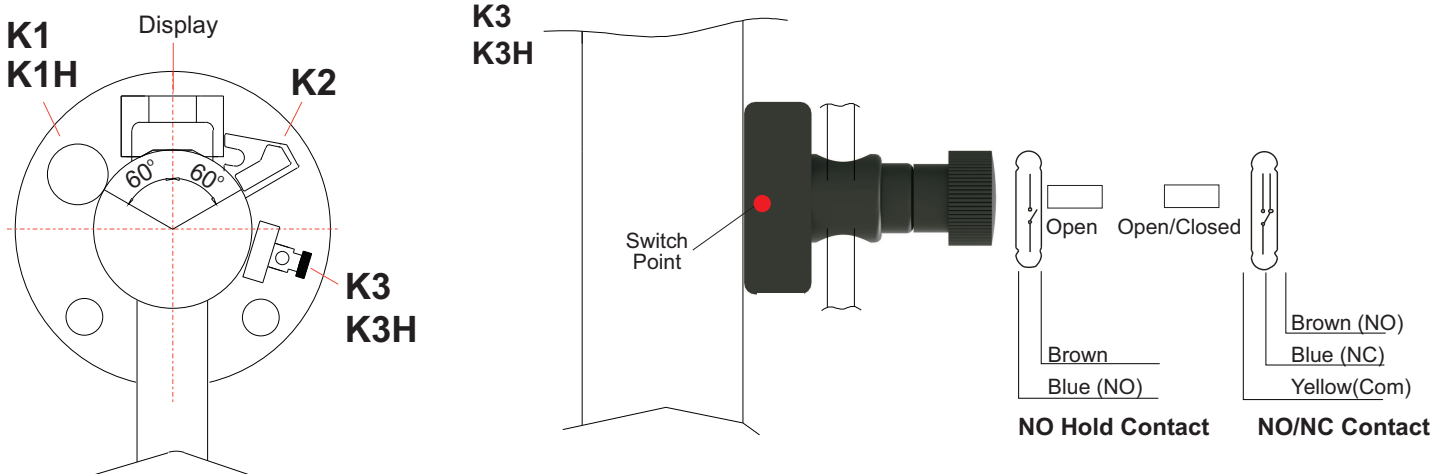
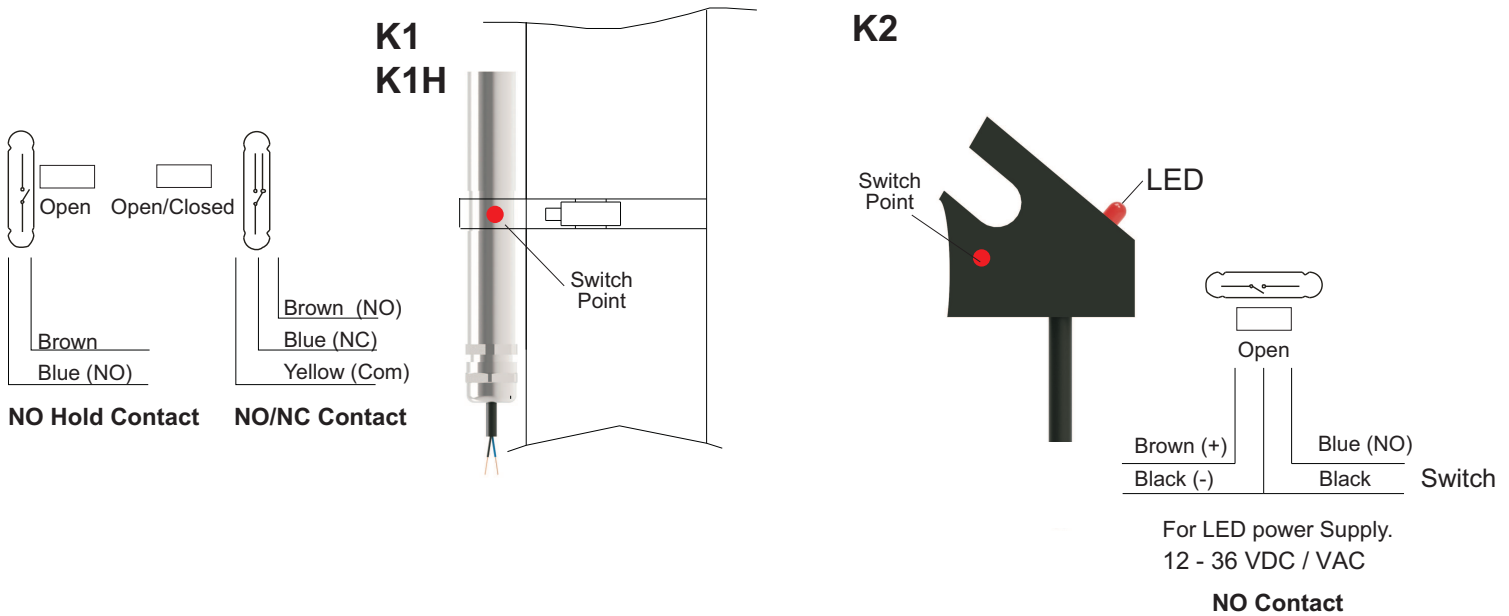
ELG - F



All dimensions are given in mm.

MAGNETIC CONTACT

	ELG - K1		ELG - K2	ELG - K3H	ELG - K3
Contact Element	Reed Sensors SPST-NO	Reed Sensors SPDT-NO/NC	Reed Sensors SPST-NO	Reed Sensors SPST-NO	Reed Sensors SPDT-NO/NC
Hold Type				Hold Type	Hold Type
*Contact Current	1,5 A	1 A	0,7 A	1,5 A	1 A
*Max. Contact Power	20 W / VA	20 W / VA	10 W / VA	20 W / VA	20 W / VA
*Max.Switching Voltage	200 VDC / 250 VAC	150 VDC / 140 VAC	150 VDC / 120 VAC	200 VDC / 250 VAC	150 VDC / 140 VAC
Case Material	Stainless Steel		Plastic	Plastic	
Protection Class	IP 68 , PG9 Socket		IP 68	IP 68	
Cable Length	1 m. Silicon Cable		1 m. Cable	1 m. Cable	
Clamp Material	Stainless Steel		Stainless Steel	Stainless Steel	
Operation Temperature	(-) 20 °C...(+) 200 °C To the body with clamp		(-) 20 °C...(+) 80 °C To the body with clamp	(-) 20 °C...(+) 80 °C To the body with clamp	



TRANSMITTER

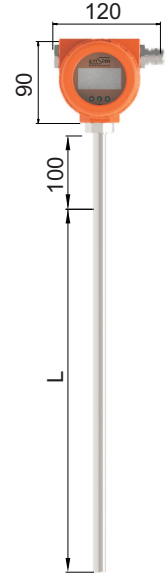
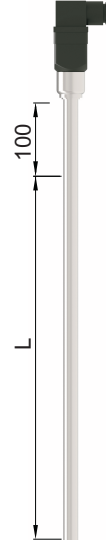
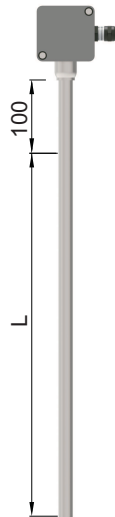
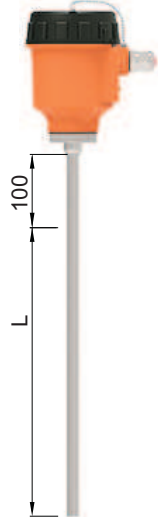
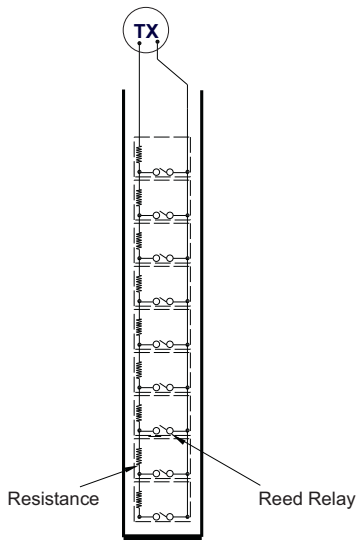
	ELG - T1	ELG - T2	ELG - T3
Tube	AISI 304 Stainless Steel	AISI 304 Stainless Steel	AISI 304 Stainless Steel
Min. Measure.Distance	15 mm , 10 mm veya 5 mm	15 mm , 10 mm or 5 mm	\pm % 0,5 For conductive liquids \pm % 0,8 For insulating liquids
Power Supply	10...36 VDC	10...36 VDC	10...36 VDC
Operation Temp.	(-) 10 °C...(+) 150 °C	(-) 10 °C...(+) 150 °C	(-) 40 °C...(+) 150 °C
Output	2 wire 4-20 mA, 3 wire 4-20 mA, 0-20 mA, 20-4 mA, 20-0 mA, 0-10 V, 10-0 V, 1-5 V, 5-1 V, 0-5 V, 5-0 V	2 wire 4-20 mA, 3 wire 4-20 mA, 0-20 mA, 20-4 mA, 20-0 mA, 0-10 V, 10-0 V, 1-5 V, 5-1 V, 0-5 V, 5-0 V	2 wire 4-20 mA
Contact	---	---	2 x PNP - NA
Electrical Connect.	PG7 Socket	DIN 43650C Socket	Terminal
Optional	Ex Version	Local Digital Display, EDS 01	---

ELG-T0

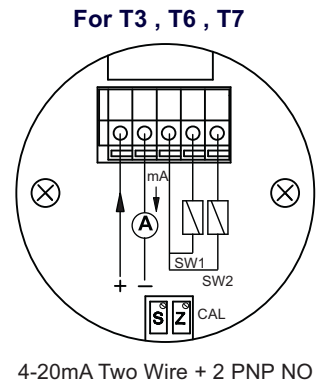
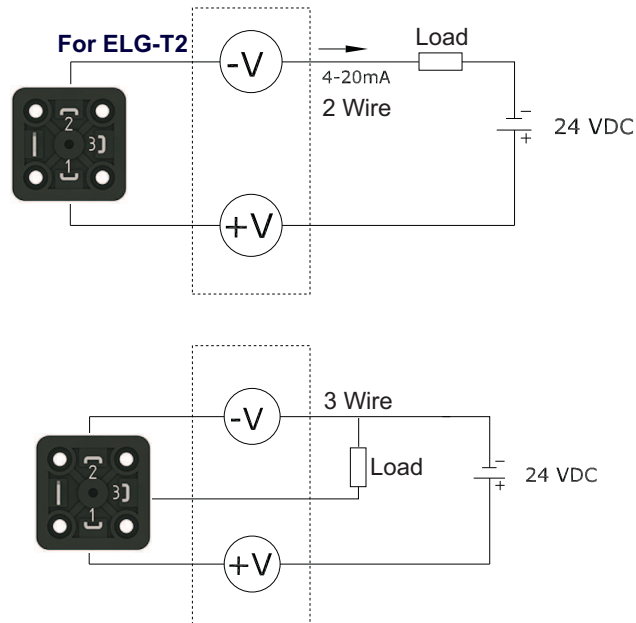
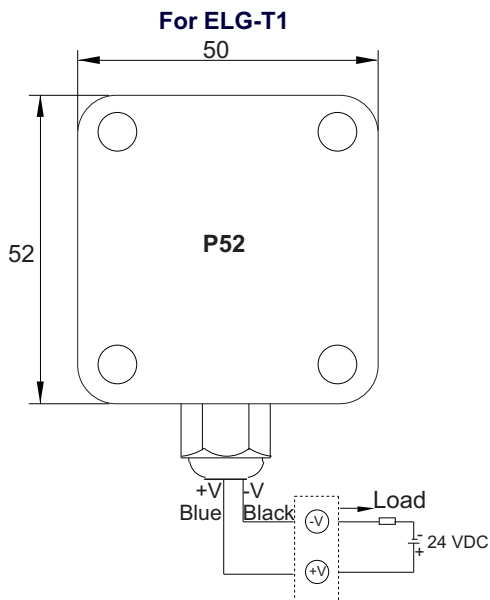
ELG-T1

ELG-T2

ELG-T3



Elektrik Bağlantısı :



4-20mA Two Wire + 2 PNP NO

TRANSMITTER

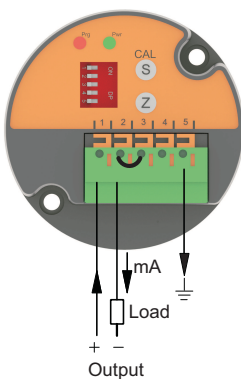
	ELG - T4	ELG - T5	ELG - T6	ELG - T7
Tube	AISI 304 Stainless Steel		AISI 304 Stainless Steel	
Min. Measure.Distance	$\pm \% 0,5$	$\pm \% 0,8$	$\pm \% 0,5$	$\pm \% 0,8$
	For conductive liquids	For Low Conductive	For conductive liquids	For Low Conductive
Power Supply	10...36 VDC		10...36 VDC	
Operation Temp.	(-) 40 °C...(+) 150 °C		(-) 40 °C...(+) 150 °C	
Output	2 wire 4-20 mA, 3 wire 4-20 mA, 0-20 mA, 3 wire 0-10V		2 wire 4-20 mA,	
Contact	2 x PNP - NA		2 x PNP - NA	
Electrical Connect.	Terminal		Terminal	
Optional	Capacitive		Capacitive	



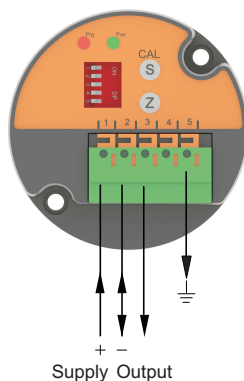
Electrical Connection :

For T4 , T5

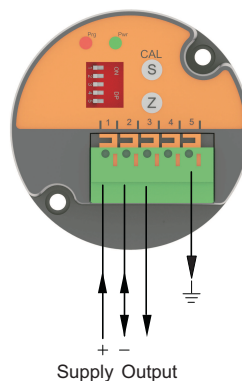
4-20mA Two Wire



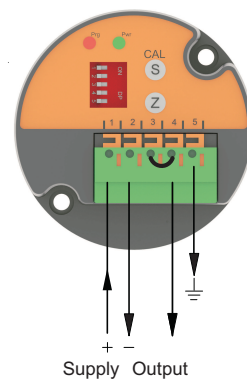
4-20mA Three Wire



0-20mA Three Wire

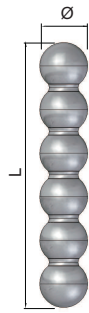


0-10V Three Wire

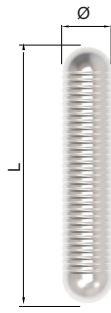


FLOAT :

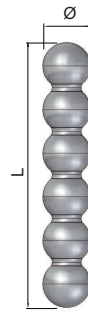
M50 - M50H



M10



M50Ti



M60Ti



Order Code	Model	Density	Dim. (Ø*L) (mm)	Test Pressure	Working Pressure	Temperature	Number of Ball	Material
680	M10A	1.20 g/cm ³	Ø 32*150	25 bar	16 bar	200 °C	1	AISI 316 St.St.
681	M11A	1.00 g/cm ³	Ø 32*200	25 bar	16 bar	200 °C	1	AISI 316 St.St.
682	M12A	0.90 g/cm ³	Ø 32*250	25 bar	16 bar	200 °C	1	AISI 316 St.St.
683	M13A	0.80 g/cm ³	Ø 32*300	25 bar	16 bar	200 °C	1	AISI 316 St.St.
500	M50	1.20 g/cm ³	Ø 52*155	60 bar	40 bar	200 °C	3	AISI 316 St.St.
501	M51	1.10 g/cm ³	Ø 52*195	60 bar	40 bar	200 °C	4	AISI 316 St.St.
502	M52	1.00 g/cm ³	Ø 52*245	60 bar	40 bar	200 °C	5	AISI 316 St.St.
503	M53	0.90 g/cm ³	Ø 52*295	60 bar	40 bar	200 °C	6	AISI 316 St.St.
504	M54	0.85 g/cm ³	Ø 52*345	60 bar	40 bar	200 °C	7	AISI 316 St.St.
505	M55	0.80 g/cm ³	Ø 52*395	60 bar	40 bar	200 °C	8	AISI 316 St.St.
530	M50H	1.20 g/cm ³	Ø 52*155	150 bar	60 bar	200 °C	3	AISI 316 St.St.
531	M51H	1.10 g/cm ³	Ø 52*195	150 bar	60 bar	200 °C	4	AISI 316 St.St.
532	M52H	1.00 g/cm ³	Ø 52*245	150 bar	60 bar	200 °C	5	AISI 316 St.St.
533	M53H	0.90 g/cm ³	Ø 52*295	150 bar	60 bar	200 °C	6	AISI 316 St.St.
534	M54H	0.85 g/cm ³	Ø 52*345	150 bar	60 bar	200 °C	7	AISI 316 St.St.
535	M55H	0.80 g/cm ³	Ø 52*395	150 bar	60 bar	200 °C	8	AISI 316 St.St.
560	M51H-100bar	1.10 g/cm ³	Ø 52*245	150 bar	100 bar	200 °C	5	AISI 316 St.St.
561	M52H-100bar	1.00 g/cm ³	Ø 52*295	150 bar	100 bar	200 °C	6	AISI 316 St.St.
562	M53H-100bar	0.90 g/cm ³	Ø 52*345	150 bar	100 bar	200 °C	7	AISI 316 St.St.
563	M54H-100bar	0.85 g/cm ³	Ø 52*395	150 bar	100 bar	200 °C	8	AISI 316 St.St.
564	M55H-100bar	0.80 g/cm ³	Ø 52*445	150 bar	100 bar	200 °C	9	AISI 316 St.St.
600	M50Ti	1.10 g/cm ³	Ø 52*150	150 bar	100 bar	200 °C	3	Titanium (Grade2)
601	M51Ti	1.00 g/cm ³	Ø 52*200	150 bar	100 bar	200 °C	4	Titanium (Grade2)
602	M52Ti	0.80 g/cm ³	Ø 52*250	150 bar	100 bar	200 °C	5	Titanium (Grade2)
603	M53Ti	0.75 g/cm ³	Ø 52*300	150 bar	100 bar	200 °C	6	Titanium (Grade2)
604	M54Ti	0.65 g/cm ³	Ø 52*350	150 bar	100 bar	200 °C	7	Titanium (Grade2)
605	M55Ti	0.60 g/cm ³	Ø 52*400	150 bar	100 bar	200 °C	8	Titanium (Grade2)
606	M56Ti	0.55 g/cm ³	Ø 52*450	150 bar	100 bar	200 °C	9	Titanium (Grade2)
650	M60Ti	0.80 g/cm ³	Ø 50	40 bar	25 bar	200 °C	1	Titanium (Grade2)
651	M61Ti	0.70 g/cm ³	Ø 50	40 bar	25 bar	200 °C	1	Titanium (Grade2)
652	M62Ti	0.60 g/cm ³	Ø 50	40 bar	25 bar	200 °C	1	Titanium (Grade2)
653	M63Ti	0.50 g/cm ³	Ø 50	40 bar	25 bar	200 °C	1	Titanium (Grade2)

Note 1: If high temperature is demanded, "ht" abbreviation is added to the end of codes in the floats (Except M10 series)

For example ; M51H-ht, M60Ti-ht...

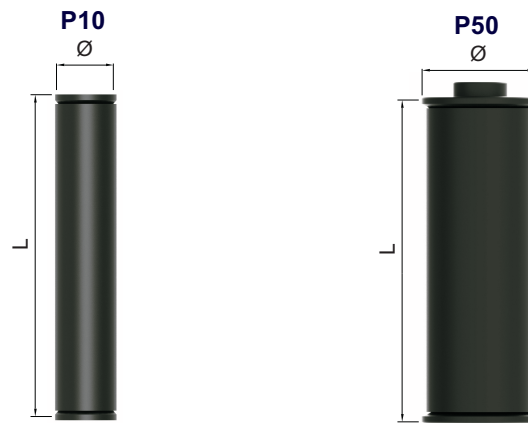
Note 2: Test safety coefficient of all floats is x1.5

For example ; Test pressure of M51H: 100 bar * 1.5 = 160

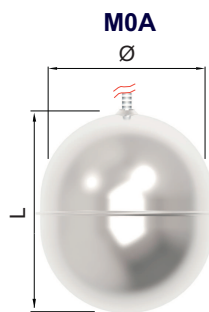
Note 3 : According to process needs custom-made float can be manufactured.

All dimensions are given in mm.

FLOAT :



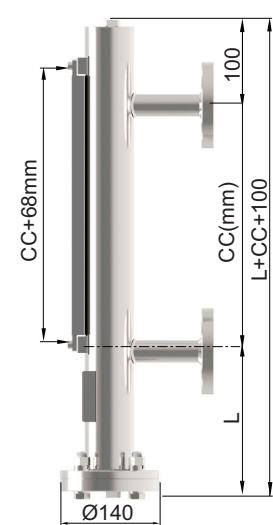
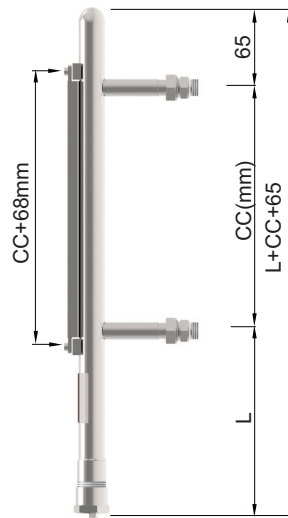
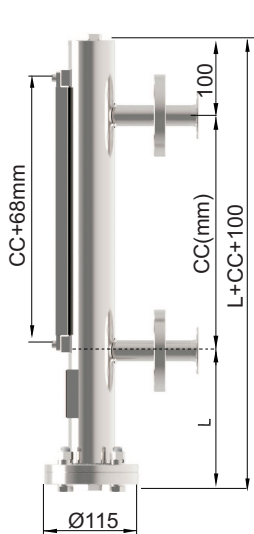
Order Code	Model	Density	Dim. (Ø*L) (mm)	Test Pressure	Working Pressure	Temperature	Number of Ball	Material
758	P10A	1.70 g/cm ³	Ø 32*170	5 bar	3 bar	(-) 20...(+) 60 °C	1	PVC
759	P11A	0,90 g/cm ³	Ø 32*170	5 bar	3 bar	(-) 20...(+) 60 °C	1	PVC
760	P12A	0.90 g/cm ³	Ø 32*170	5 bar	3 bar	(-) 20...(+) 60 °C	1	PVC
761	P13A	0.90 g/cm ³	Ø 32*170	5 bar	3 bar	(-) 20...(+) 60 °C	1	PVC
762	P14A	0.90 g/cm ³	Ø 32*200	5 bar	3 bar	(-) 20...(+) 60 °C	1	PVC
763	P34A	0.90 g/cm ³	Ø 52*190	5 bar	3 bar	(-) 20...(+) 60 °C	1	PVC
764	P50A	1.80 g/cm ³	Ø 50*150	5 bar	3 bar	(-) 20...(+) 60 °C	1	PVC
765	P51A	1.50 g/cm ³	Ø 50*150	5 bar	3 bar	(-) 20...(+) 60 °C	1	PVC
766	P52A	1.20 g/cm ³	Ø 50*150	5 bar	3 bar	(-) 20...(+) 60 °C	1	PVC
767	P53A	1.10 g/cm ³	Ø 50*150	5 bar	3 bar	(-) 20...(+) 60 °C	1	PVC
768	P54A	0.90 g/cm ³	Ø 50*220	5 bar	3 bar	(-) 20...(+) 60 °C	1	PVC
769	P55A	0.80 g/cm ³	Ø 50*220	5 bar	3 bar	(-) 20...(+) 60 °C	1	PVC
770	P56A	0.70 g/cm ³	Ø 50*250	5 bar	3 bar	(-) 20...(+) 60 °C	1	PVC
771	P57A	0.60 g/cm ³	Ø 50*300	5 bar	3 bar	(-) 20...(+) 60 °C	1	PVC



Order Code	Model	Density	Dim. (Ø*L) (mm)	Test Pressure	Working Pressure	Temperature	Number of Ball	Material
670	M0A	0.98 g/cm ³	Ø 112*148	25 bar	16 bar	200 °C	1	AISI 316 St.St.

SAMPLE MODELS :

	ELG	ELGs	ELGk
Body	Ø 60.3 x 1.5 mm , 304 Stainless Steel	Ø 38 x 1.5 mm , 304 Stainless Steel	Ø 60.3 x 2 mm , 304 Stainless Steel
Display	Standard display ELG-G	Standard display ELG-G	Standard display ELG-G
Bottom Flange	DN 32, PN 16 , 304 Stainless Steel	Thread 16 , 304 Stainless Steel	DN 32, PN 40 - , 304 Stainless Steel
Process Connection	DN 20, PN 16 , Coated Carbon Steel	3/4"BSP Male or female Stainless Steel	DN20, PN40 (Std.)
Pressure	Max.16 bar , Opt. 25 bar	Max.16 bar	Max.40 bar
Temperature	Max. 180 °C , Opt. 350 °C	Max.180 °C , Opt. 350 °C	Max.180 °C , Opt. 350 °C
Float Type	M51 , 1.10 g/cm ³ Selectable from Table.	M11A, 1.00 g/cm ³ Selectable from Table.	M51 , 1.10 g/cm ³ Selectable from Table.

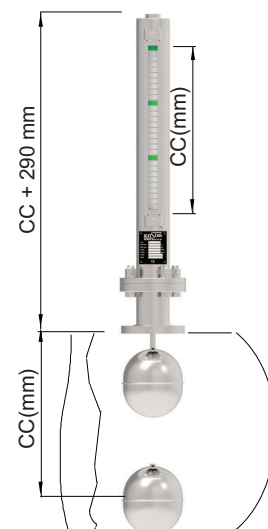
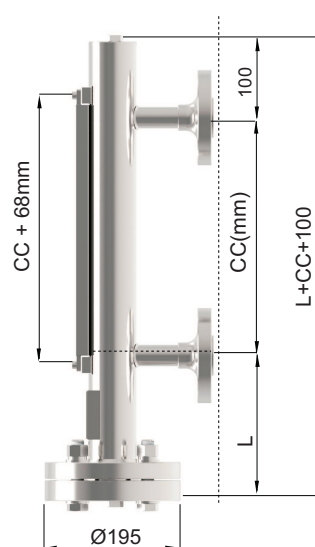
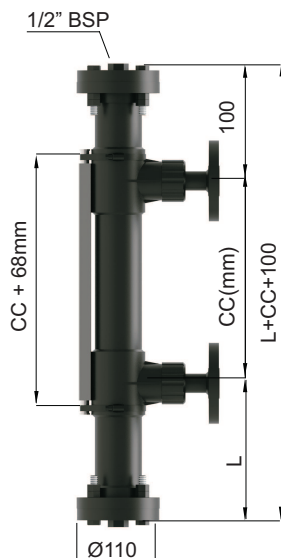


ELGp

ELGy

ELGu

Body	Ø 63 x 3 mm , PVC	Ø 60.3 x 2.6 or 65 x 3.5 mm 304 Stainless Steel	Ø 60.3 x 2 mm , 304 Stainless Steel
Display	Standard display ELG-G	Standard display ELG-G	Standard display ELG-G
Bottom Flange	DN 32, PN 6 PVC	DN 50, PN 100 (Std.) , 304 Stainless Steel	DN 32 , PN 16 Stainless Steel
Process Connection	1/2 " BSP Thread	DN 25, PN 100 Stainless Steel	DN 25, PN 16 Stainless Steel
Pressure	Max. 6 bar	Max.100 bar	Max.16 bar
Temperature	Max. 60 °C	Max. 180 °C , Opt. 350 °C	Max.180 °C , Opt. 350 °C
Float Type	P11A Tablodan Seçilebilir.	M53H Selectable from Table.	M0A Selectable from Table.



1. STEP

1 MODEL ELG

Standard1 Double Body (Transmitter must also be selected)....2
Special.....x

2 CERTIFICATE

None.....0 (EN10204-3-1) Material Certification.....1

3 MODEL

Standard version ELG1 40 bar Pressure version ELGk.....4
Mini version ELGs 2 100 bar Pressure version ELGy.....5
Plastic version ELGp 3 Top Mounting version ELGu.....6

4 MATERIALS (WETTED AREAS)

304 Stainless Steel (Std.)01 316 Stainless Steel02
PVC.....20
Special.....x

5 SEAL MATERIAL

PTFE.....66 Silicon.....83
Rubber NBR.....81 Graphite.....86
Viton.....82 Klingrid (Std.).....87
Special.....x

6 DISPLAY

Plastic Flap Version (180 °C) (Std.)G Glazed, Float Version (180 °C).....F
High Temperature Ceramic Flap Version (350 °C).....H Special.....x

7 SITUATION OF DISPLAY

Left Side Assembly Version.....P1 Right Side Assembly Version..... P3
Middle Side Assembly Version (std.)..... P2 Special.....x

8 FLOAT

Appropriate Float Model Should Be Stated.....?

9 AXIS DISTANCE - CC

Identification Dimension Between Axes (mm) CC.....?

10a PROCESS CONNECTION / SIZE

Collared Connection.....Y1/ SMS Type Connection..... Y4/
Connection Without Flanged.....Y2/ Female Thread Connection.....Y5/
Threaded Connection..... Y3/ Thread Connection..... Y6/
Special.....x

10b PROCESS CONNECTION MEASUREMENT

Uygun bağlantı sipariş kodu yazılmalı.....? Special.....x

11 BOTTOM BODY CONNECTION

Flanged (Std.) A1 With Vertical Flanged..... A3
Flanşlı boyunlu..... A2 With Top Flanged..... A4
Special.....x

12 TOP BODY CONNECTION / SIZE

Round Version..... U1/ Flanged.....U4
Standart.....U2/ With Vertical Flangedı..... U5
Flange from the body.....U3/ Middle Flanged..... U6
Special.....x

13 OPTIONAL

None...../ 0 Liquid Level Relay...../ R
Scale...../ SK Level Control Relay/ SK P1
Heating Jacket...../ C Special.....x

Example

1.Step ELG - 1 - 0 - 1 - 01 - 87 - G - P1 - 501 - 500 - Y1 / 102 - A1 - U2 - /0

2. STEP

1 TRANSMITTER ELG-T

Aluminium Housing IP66.....0	Capacitive - Conductive Liquid 4
Aluminium Housing version.....1	Capacitive - Insulating Liquid 5
With Socket version.....2	Display Capacitive - Conductive Liquid 6
With Display Version.....3	Display Capacitive - Insulating Liquid 7
	ATEX TransmitterTE

2 CERTIFICATE

None.....0	(EN10204-3-1) Material Certification.....1
------------	--

3 LENGTH

....mm

4 SENSITIVITY RANGE

15 mm.....15	5 mm.....05
10 mm.....10	Special.....x

5 OUTPUT

4-20mA Two Wire.....19	3-180 Ohm.....23
4-20mA Three Wire.....20	10-180 Ohm.....24
0-10V Three Wire.....21	240-33 Ohm.....25
0-20mA Three Wire.....22	Special.....x

6 OPTIONAL

None...../ 0	Local Digital Display..... / EDS 01
	Special.....x

EXAMPLE

2.Step ELG-T1 - 500 - 10 - 19 / 0 Transmitter , 4-20mA , 500mm , 10mm intermittent

3. STEP

1 CONTACT ELG-K

Stainless steel version.....1	Plastic version.....2
Stainless steel hold version..... 1H	Plastic version..... 3
	Plastic hold.. version.....3H
	ATEX Certified (imported).....KE

2 CERTIFICATE

None.....0	(EN10204-3-1) Material Certification.....1
------------	--

3 CONTACT STRUCTURE

NO Reed Relay.....6	NO / NC Reed Relay.....8
NC Reed Relay.....7	NO Hold Type Reed Relay.....9
	Special.....x

4 CONTACT NUMBER

..... Piece

5 CABLE LENGTH

Standard 1 m.0
Special.....x

6 OPTIONAL

None...../ 0	Special..... / x
--------------	------------------

Example

3.Step ELG-K1H - 9 - 2 - 0 / 0 Contact 2 Pcs. Hold Type, 1 m. With Cable

ONLY THE DISPLAY SHOULD BE USED WHEN REQUIRED.

1 DISPLAY ELG-

Plastik flapli (Std.) 180 °C.....G
Seramik flapli 350 °C.....HT
Cam tüplü 180 °C.....F

2 CERTIFICATE

None.....0 (EN10204-3-1) Material Certification.....1

3 BOY

....mm

4 BODY MATERIAL

304 Stainless Steel (Std.)01 Special.....x
316 Stainless Steel (Std.)02

5 OPTIONAL

None...../ 0 Special.....x

Example

ELG-G - 0 - 500 - 01 / 0 Plastic With Flap Display , 500mm , 304 Stainless Steel

ONLY THE DISPLAY SHOULD BE USED WHEN REQUIRED.

1 SCALE ELG-

Standard TypeSK

2 CERTIFICATE

None.....0 (EN10204-3-1) Material Certification.....1

3 LENGTH

....mm

4 BODY MATERIAL

304 Stainless Steel (Std.)01 Special.....x
316 Stainless Steel (Std.)02

5 OPTIONAL

None...../ 0 Special..... / x

Example

ELG-SK - 0 - 500 - 01 / 0 Plastic With Flap Display , 500mm , 304 Stainless Steel