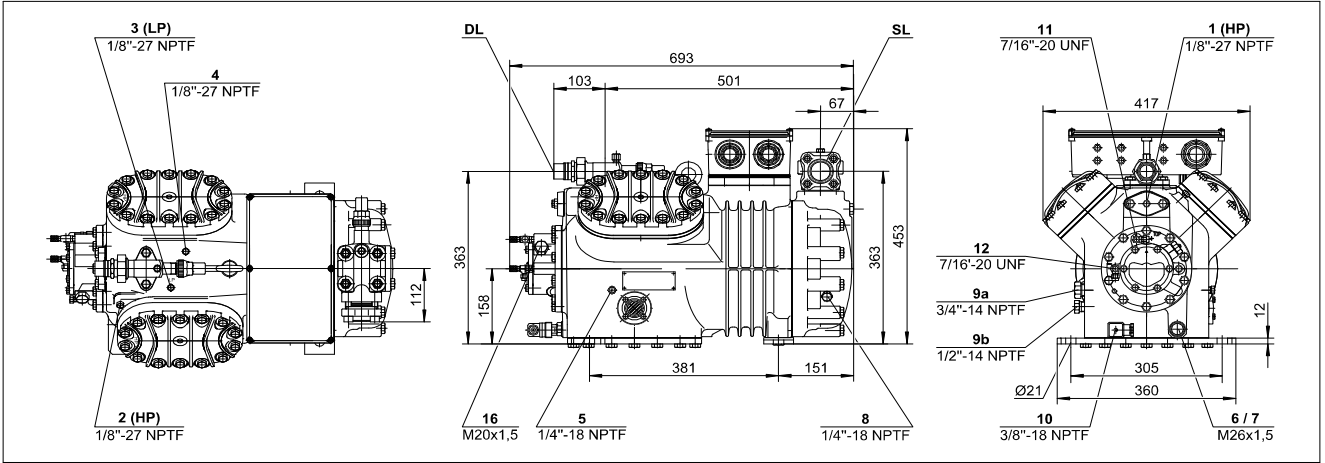




Version 5.3

27.08.2019 /

: 4J-13.2Y-40P



- (1450 / 50)
- (1750 / 60)
- (.)
- ()
- (/)
-
- R134a/R404A/R507A/R407C
- R22 (R12/R502)
- R290/R1270

- 63,5 m/h
- 76,64 m/h
- 4 x 65 mm x 55 mm
- 380-420V PW-3-50 Hz
- 27.0 A
- 50/50
- 81.0 A Y / 132.0 A YY
- 179 kg
- 19 / 28 bar
- 42 mm - 1 5/8"
- 28 mm - 1 1/8"
- R 3/4"
- tc<55°C: BSE32 / tc>55°C: BSE55 (Option)
- B5.2 (Standard)
- SHC226E (Standard)
- 4,00 dm
- 140 W (Option)
- MP54 (Option), Delta P (Option, not for R290/R1270)
- Option
- Option
- SE-B2
- IP54 (Standard), IP66 (Option)
- Option
- 100-50% (Option)
- Option
- Option
- Option
- Standard
- (-10°C/45°C) @50 77,5 dB(A) @ 50Hz
- (-35°C/40°C) @50 81,0 dB(A) @ 50Hz
- @1 (-10°C/45°C) @50 69,5 dB(A) @ 50Hz
- @1 (-35°C/40°C) @50 73,0 dB(A) @ 50Hz

CIC