

Industrial Junction Boxes BJS

Precise, stainless steel and waterproof



Typical applications

- High capacity scales
- Weighbridges
- Industrial weighing applications
- Weighing in wet and hygienic environments
- Weighing systems under lightning risk



Features

- Up to 8 load cell connection
- Corner trimming by high long term stable components
- Stainless steel housing
- IP67 waterproof protection
- Easy eccentricity adjustment
- Lightning protection at all models
- Doesn't distort the signal balance of the matched load cells.



Heavy industrial products

- These instruments are designed for heavy industrial environments.
- IP67 stainless steel housing
- Wide Operating temperature range from -15 to 60 °C
- Lightning protection increases your system's reliability in long term.



The scale accuracy do not only depend on the quality of the indicator and load cell. The Junction box is the third very important instrument which determines the scale accuracy. Precision BJS series junction boxes are designed to use in every kind of industrial weighing applications including weighbridges, tank scales, silo weighing systems, conveyor scales and high capacity scales etc.

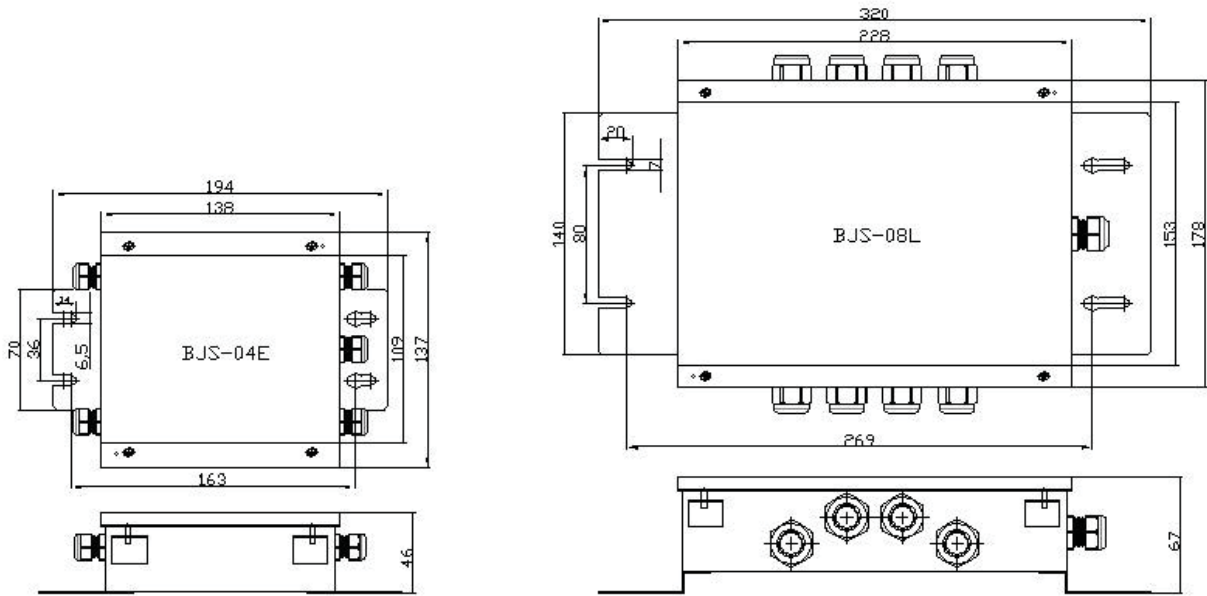
The most accurate output is produced from matched load cells to high unbalanced load cells for scale accuracy and for easy calibration. The signal accuracy of the matched load cells does not changed because of the electronic circuitry in the junction box. There is no any adjustment limit even the output signal unbalances of the load cells are too much.

The scales equipped with BJS junction boxes can be used in all kind of industrial areas up to wet and hygienic environments.

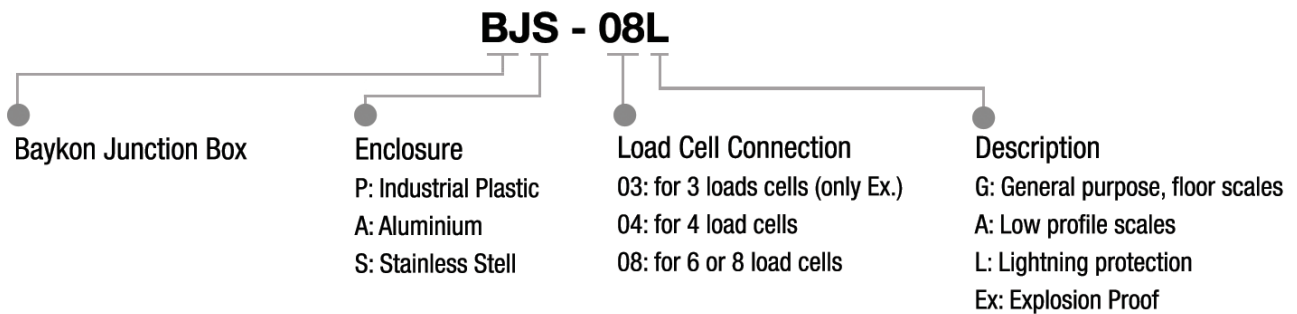
Specifications

	BJS-04	BJS-08L
Technnology	Passive adjustment with precision components	
Load cell quantity	Up to 4	Up to 8
Lightning protection	No	Yes
Load cell impedance	350 ohm to 1200 ohm	
External grounding	Yes	
Sealing	Available	
Enclosure material	Stainless steel, IP67	
Cable glands	PG9 for cable diameter 4 to 8 mm.	
Operating temperature range	-15 to +60 °C	
Humidity	90% RH max , non condensing	
Dimensions	137 x 46 x 194 mm.	178 x 67 x 320 mm.
Weight (packed)	735 gr.	1545 gr.

Dimensions



Order Configuration for Baykon J. Boxes



(Specifications are subject to change without notice. 03 / 2016)