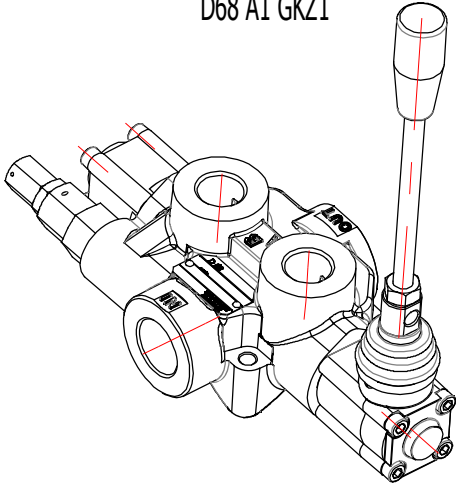
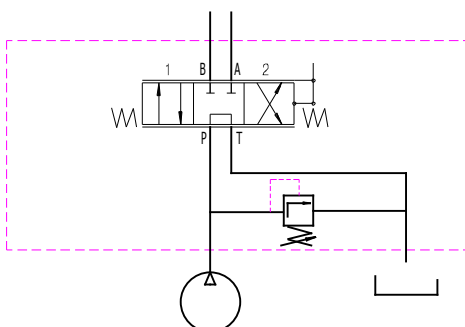
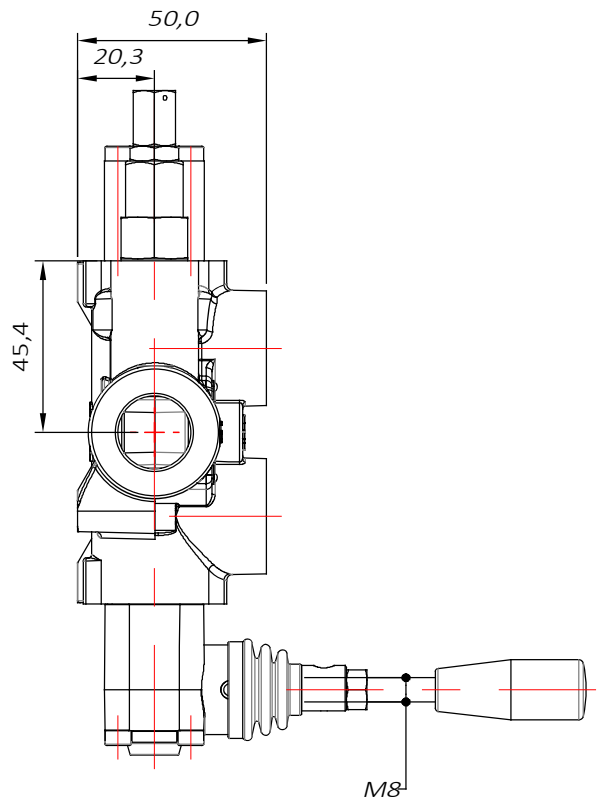
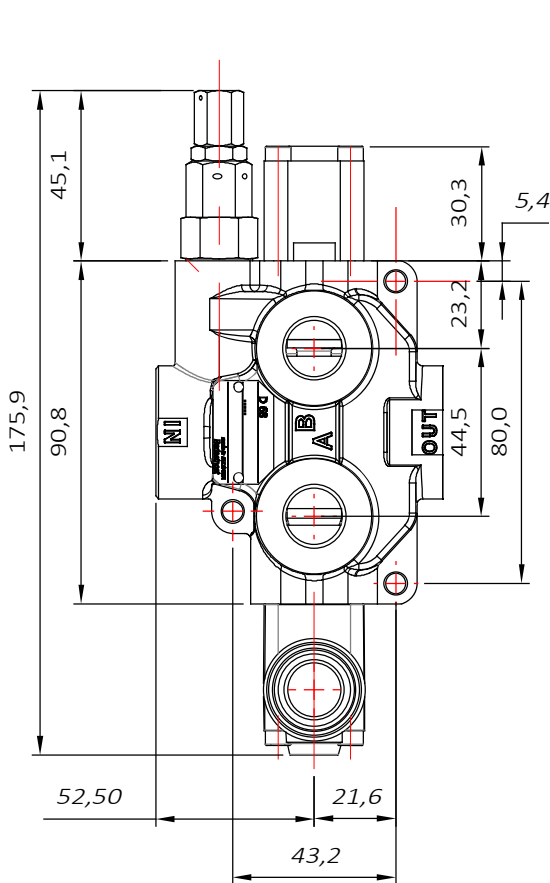
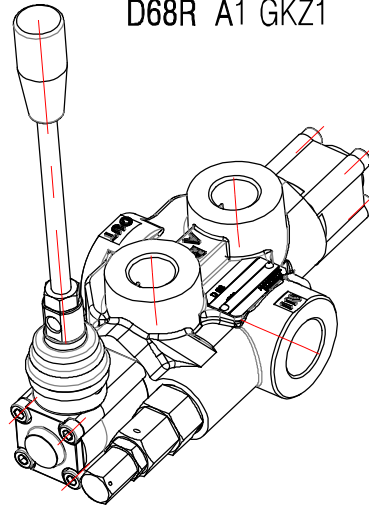


DIRECTIONAL CONTROL VALVE - D 68

D68 A1 GKZ1



D68R A1 GKZ1



SPECIFICATIONS:

Q - rated for 0-68 l/min - (0 - 20 gpm)

P - rated for 207 bar - (3000 psi)

Weight: 2.5 kg - (5 1/2 lbs.)

Std. Port sizes:

G 3/4 Inlet/outlet and G 1/2 work ports

12SAE Inlet/outlet and #10 work ports

25 Micron filtration recommended.

MATERIALS:

Cast Iron Body

NBR O Rings

Hard Chromium plated spools

DIRECTIONAL CONTROL VALVE - D 68

1. DIRECTIONAL CONTROL VALVE - D 68 is designed for Q = 20 gpm and P to 3000 psi.

The manually shifted handle provides metered flow to either port. Port flow is directly proportional to the movement of the lever.

2. SPOOL TYPE

The spool types offered are tandem center 4 way (A), open center 4 way (D)(motor), tandem 3 way (B), tandem metering (Af), closed center 4 way (M).

The spool M requires a pressure compensated pump.

3. ACTUATORS

Standard enclosed lever handle -(KZ), with lever (KZ1), no actuator (-), R- rotary handle used to rotate spool in or out of the valve body.

4. SPOOL CONTROL

Friction detent (0) applies friction to the spool so that the spool does not move when the handle is released either side of neutral, a detent groove clearly indicates neutral position.

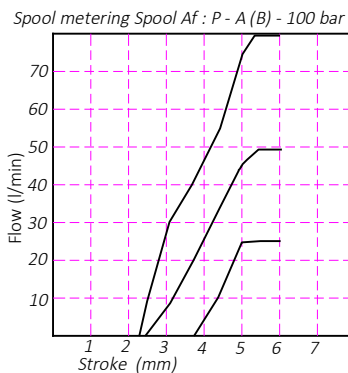
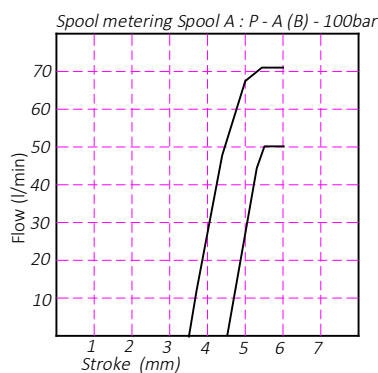
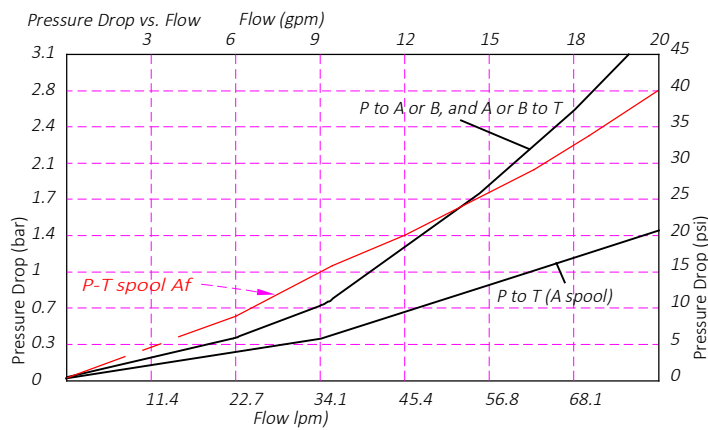
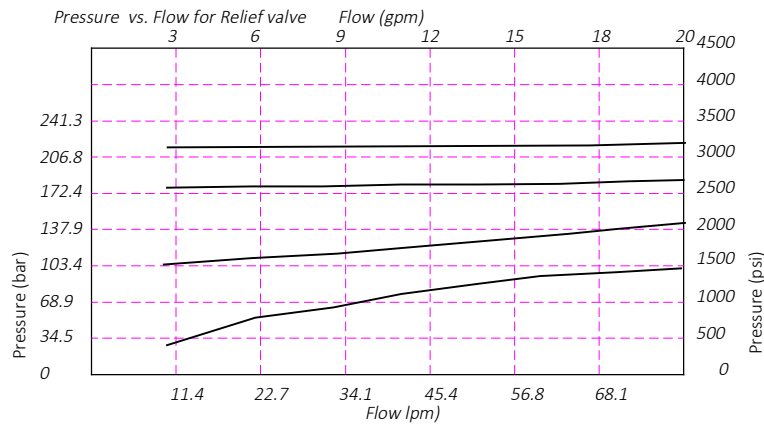
Spring center (1) returns the handle to neutral when the handle is released.

Spring center detent (3) springs back to neutral from one position and is mechanically detented in the other position (flow out port A in detent-pos. 2).

Three positions detent (8) hold the spool in neutral and work in both active positions.

E - open electric switch type Omron V 165 used with 0, 1 and 8 spool controls.

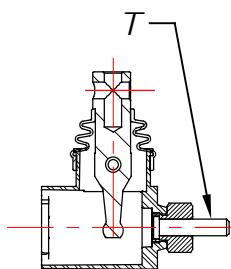
T - (teton) used with 2 and 6 spool controls.



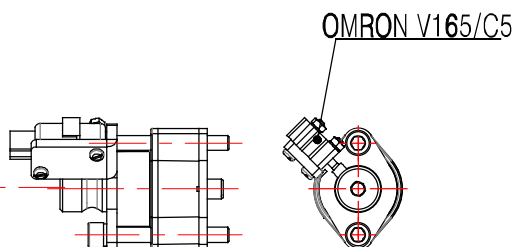
DIRECTIONAL CONTROL VALVE - D 68

	D 68/	./	./	OK/	A/	1/	G/	KZ	1/	T/	E
- - left inlet											
R - right inlet											
"-" - with RV											
"svp" - with blanking plug											
"OK" - with check valve											
"-" - without check valve											
Spool type - Table 1											
Spool positioner - Table 2											
Thread specification - Table 3											
Manual control options - Table 4											
Presence of lever for enclosed lever systems											
Presence of control pin for enclosed lever systems											
Presence of microswitch											
Other											

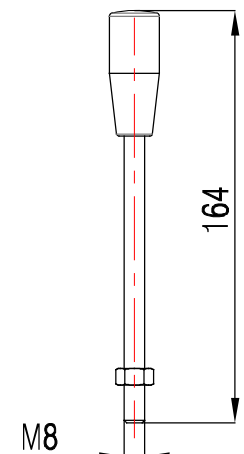
Presence of control pin for enclosed lever system - T with spool control 3 and 6



Microswitch - E normal open



Lever for enclosed handle - 1



DIRECTIONAL CONTROL VALVE - D 68

Table 1

Code	Spool scheme
A	
Af	
B	
C	
D	
M	

Table 2

Code	Spool control
0	
1	
2	
3	
4	
5	
6	
7	
8	
9	
10	
11	

Table 3

Code	P, T	A, B
G DIN 3852-2	G3/4"	G1/2"
SAE SAE J1926-1 (ISO 11926-1)	SAE12	SAE10
NPT ANSI-ASME B1.20.1	3/4"NPT	1/2"NPT

standard

Table 4

Types of hand control

Code	Feature	Code	Feature
KZ		KZ1	
KZ0		KZ01	
-	without hand control ;	-	without hand control ;
R	rotary hand control ;		

Check valve G 3/4 - Order code 621.22.00-34

