

## DIN Adaptor for RGS SSRs



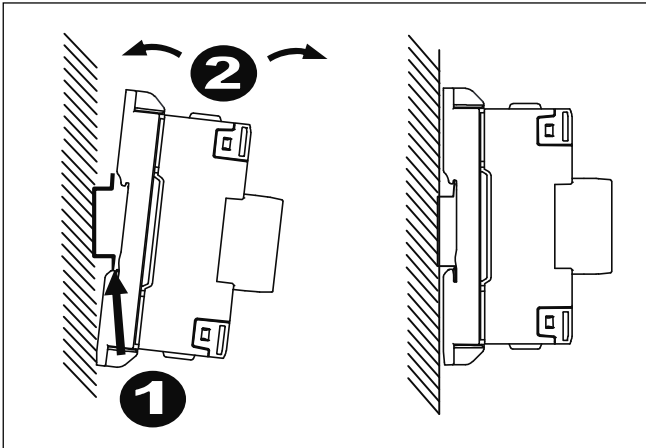
### Ordering Key

**RGS1DIN**

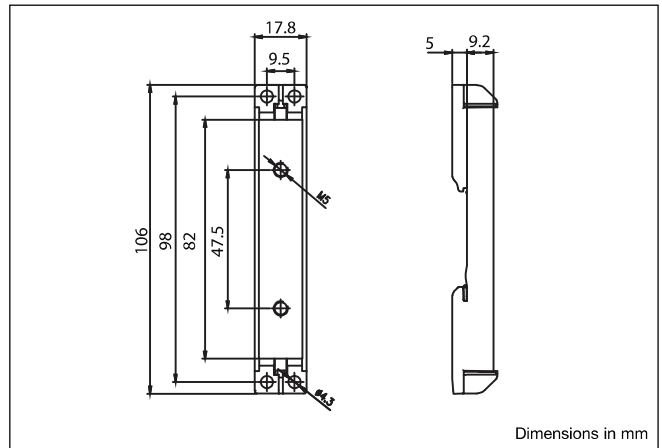
DIN rail adaptor module for mounting the RGS series on DIN rail.

This adaptor integrates an aluminium plate which allows the RGS with mounted RGS1DIN to be used for load current of minimum 10AAC @ 40°C. Refer to RGS datasheet for derating characteristics.

### Installation Instructions



### Dimensions



### Mounting Instructions

