

EXCELLENT CYCLING ABILITY

FOR
SOLAR / PHOTOVOLTAIC
WIND GENERATION
UPS / EMERGENCY LIGHTING
TELECOMMUNICATION
APPLICATIONS



DP-12200

SEALED VRLA MONOBLOC AGM BATTERIES
VALVE REGULATED LEAD ACID BATTERY
FOR CYCLING APPLICATIONS

12V 200AH @ 20 HR RATE to 1.75VPC

12V 220AH @ 100 HR RATE to 1.75VPC

LONG DURATION

Innovative Features

Thick positive plate design and high Tin alloy~12 years design life @ 20°C(68°F).

UL Recognized component.

Valve regulated lead acid battery (VRLA).

High-Compression Absorbed Glass Mat technology (AGM) for greater than 99% recombination efficiency.

Proprietary Fixed Orifice Plate Pasting technology applying active materials on both sides of the grid for consistent cell-to-cell performance, higher capacity and uniform grid protection.

Operates at a low internal pressure.

Heavy duty insert copper terminals for ease of assembly, reduced maintenance and increased safety.

Advanced lead tin calcium alloy, reduces grid corrosion and promotes long battery life.

Standard: Reinforced ABS (UL 94HB) container and cover.

Optional: Flame-retardant reinforced ABS container and cover compliant with U.L.94 V-0 with an Oxygen limiting Index of greater than 28%.

Over-sized, through the partition inter-cell welds provide low resistance connections, with minimal power loss.

Flame arresting, low pressure safety release venting system for individual cells, recognized per U.L. 924.

Multicell design for ease of installation and maintenance.

Horizontal or vertical operation.

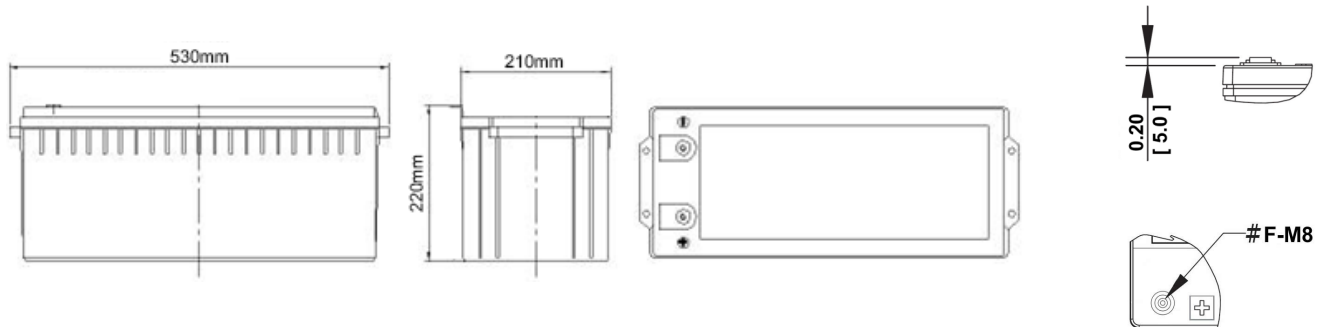
12 VOLTS - 200 AMPERE HOUR @ 20 HOUR RATE

AH Capacity to 1.75VPC @ 20°C (68°F)

End Point Volts/Cell	1.5hr	2hr	3hr	4hr	5hr	8hr	10hr	12hr	20hr	24hr	100hr
1.75	129	138	146	154	158	174	180	184	200	204	220

Deep Cycle AGM Range

EverExceed[®]
power your applications



Length: 530mm Width: 210mm Height: 220mm

Electrical Specifications						
Cells Per Unit	Voltage Per Unit	Weight	Electrolyte	Maximum Discharge Current	Short Circuit Current	Ohms Imped 60 Hz(Ω)
6	12.84	121.0lbs 55.0kg	SG = 1.300	1270 Amps	5400 Amps	0.0026

Capacity	200 Ah @ 20 hr. rate to 1.75 volts per cell @ 20°C (68°F). 220 Ah @ 100 hr. rate to 1.75 volts per cell @ 20°C (68°F).
Applicable Operating Temperature Range	-40°C (-40°F) to +70°C (158°F).
Ideal Operating Temperature Range	+20°C (+68°F) to +30°C (+86°F).
Floating Charging Voltage	13.5 to 13.8 VDC/unit Average at 25°C (77°F).
Recommended Maximum Charging Current Limit	0.25C20 amperes (50.0 amperes @ 100% depth of discharge) @ 20 hr. rate to 1.75VPC.
Equalization and Cycle Service Charging Voltage	14.1 to 14.4 VDC/unit Average at 25°C (77°F).
Maximum AC Ripple (Charger)	0.5% RMS or 1.5% P-P of float charge voltage recommended for best results. Maximum voltage allowed = 1.4% RMS (4% P-P). Maximum current allowed = 10.0 amperes RMS (C/20) to 1.75VPC.
Self Discharge	EverExceed Deep Cycle AGM Range batteries may be stored for up to 12 months at 20°C (68°F) and then a freshening charge is required. For higher temperatures the time interval will be shorter.
Accessories	Inter unit connectors racks and cabinet systems are available.
Terminal: Inserted	Threaded copper alloy insert terminal.
Terminal Hardware Initial Torque: Inserted Terminal	11 N-m

Constant Power Discharging Ratings - Watts Per Cell @ 20°C (68°F)											
End Point Volts/Cell	1.5hr	2hr	3hr	4hr	5hr	8hr	10hr	12hr	20hr	24hr	100hr
1.85	152	123	87.5	69.5	57.5	39.8	33.3	28.9	18.8	15.6	4.12
1.80	161	128	91.8	72.6	60.6	41.4	34.5	29.6	19.5	16.4	4.42
1.75	167	133	93.6	74.4	61.7	42.5	35.4	30.1	19.8	16.7	4.56

Constant Current Discharging Ratings - Amperes Per Cell @ 20°C (68°F)											
End Point Volts/Cell	1.5hr	2hr	3hr	4hr	5hr	8hr	10hr	12hr	20hr	24hr	100hr
1.85	78.9	62.7	44.7	35.3	29.1	20.3	16.7	14.3	9.34	7.68	2.06
1.80	83.6	67.1	47.7	37.3	31.1	20.9	17.5	14.9	9.74	8.22	2.12
1.75	86.0	68.9	48.5	38.4	31.6	21.7	18.0	15.4	10.0	8.48	2.20

Note: Batteries to be mounted with 0.39 in (1.00 cm) spacing minimum and free air ventilation.
Specifications subject to change without notification.