

TRIPOD TURNSTILE TWIX ALL IN ONE - M

Twix All-in-One is a two legs based turnstile door. The main idea devoted to availability of additional metal case within standard housing. It meets the demand of projects which require turnstiles to be integrated with coin acceptors, ticket printers and other large-sized types of validation equipment.



EFFICIENT CUSTOMIZABLE TRIPOD TURNSTILE WITH NUMEROUS DESIGN OPTIONS



FREE ACCESS



CROSSING CAPACITY



MAX. PASSAGE WIDTH



PROTECTIVE LEVEL



DROP-ARM



MOTORIZED



BI-DIRECTIONAL

Advantages

- Bi-directional motorized tripod turnstile with panic / bar drop function
- High quality at a cost effective price
- Integration with any type of access control and ID systems
- Low power consumption
- Panic / bar drop function with automatic reset
- Whisper quiet, low noise operation
- Optional indoor or outdoor housing types
- Wide range of accessories
- Availability of a back up battery connection
- Complete supply set as a standard

Standard

- 2 location LED indicators
- Wired remote control
- Supply of backup battery power connection
- Anti-panic function with automatic reset

Options

- Any additional devices upon request (e.g. passage counter, RFID/Proximity/BioMetric readers, coin acceptor, push button, barcode and QR-code reader)
- Heating function for external installation (for cold climates)
- Electronic module that provides automatic anti-panic function upon power failure
- Tripod Twin modification is available
- Dummy housings can be mounted adjacent to tripod turnstile

* first figure is standard, all other available upon request.



www.tiso.global
+380 (44) 291-21-11
e-mail: sales@tiso.global



Technical Specifications:

Width, mm	786
Length, mm	1208
Height, mm	1450
Weight, kg (not more)	80
Mechanism	Motorized

Controlled by:



access control system;

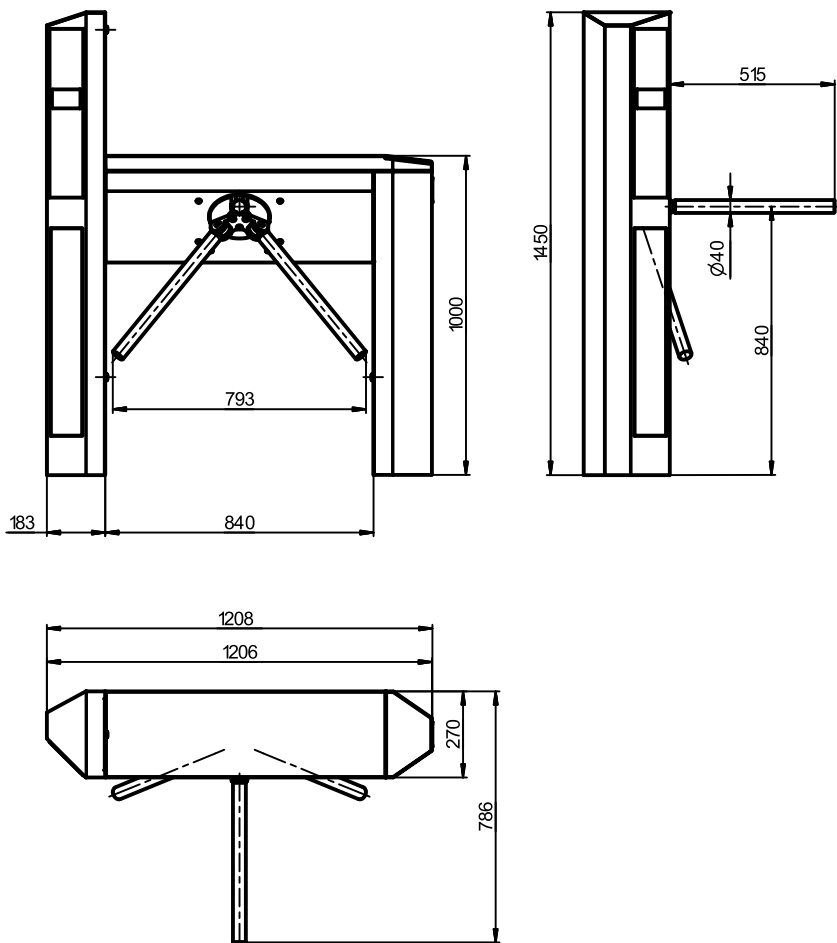


manual control

When power goes OFF both directions are free.

Electrical Specifications:

- Voltage:
 - from the AC (100-240)V, 50/60Hz;
 - from a DC source 12 V;
- Maximum power consumption 55W per pass;



Materials

Standard housing	Brushed SS AISI 304
Available housing	Brushed SS AISI 316 Polished SS AISI 304 Polished SS AISI 316 Powder coated RAL
Tripod hub	Cast aluminum with painted grey finishing

Installation areas:

- Governmental Institutions
- Military Bases
- Nuclear Power Plants
- Production sites (Industrial Plants)
- Commercial areas
- Financial institutions
- Airport Premises
- Business (Office) Centers
- Hotels
- Sport Complexes
- Recreation areas
- Urban areas
- Education Institutions
- others



www.tiso.global
+380 (44) 291-21-11
e-mail: sales@tiso.global

