

Data sheet

Panel feed through adapters M12 X-coded to RJ45 for electrical cabinets - straight

Page 1/7

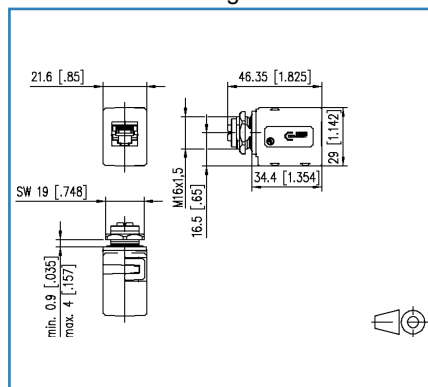
P/N
MWN811A415
EAN 4250184157441

2018-22-03

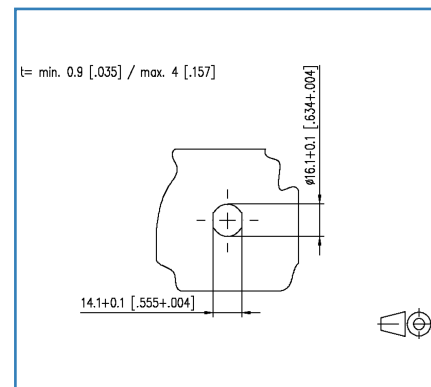
Illustrations



Dimensional drawing



Cut-out



See enlarged drawings at the end of document

Product specification

- panel feed-through adapter M12 to RJ45 for control cabinets
- M12 jack x-coded, IP67, per IEC/PS 61076-2-109
- RJ45 jack, IP20, per IEC 60603-7-51
- suitable for 10 GBit per IEEE802.3an
- Cat.6A
- plug-in direction: straight
- solid refined zinc die-cast housing
- suitable for applications in the railway industry

Panel feed through adapters M12 X-coded to RJ45 for electrical cabinets - straight

P/N

MWN811A415

EAN 4250184157441

2018-22-03

Technical Data

General Data

Design	Jack
Mounting style	back side
Shielding	shielded
Transmission technology	Copper
Color	metallike
Dimensions	
Dimension (L x W x H)	46.35 x 21.60 x 29.00 mm
Dimension (L x W x H)	1.825 x 0.85 x 1.142 in.
Labeling option	on housing

Transmission characteristics

Category (ISO)	6 _A
Category (TIA)	6A
Transmission rate up to 10 GBit (Gigabit-Ethernet)	IEEE 802.3an

Connections/interfaces

Connector technology interface 1	RJ45-jack
Connector technology interface 2	M12-jack
Number of ports interface 1	1
Number of ports interface 2	1
Number of equipped ports interface 1	1
Number of equipped ports interface 2	1
Number of positions/contacts interface 1	8P/8C
Number of positions/contacts interface 2	8
Cable access/outlet	straight M12

Electrical characteristics

Current carrying capacity	0.5 A
Rated voltage	50 V AC / 60 V DC
Insulation resistance	min. 100 MOhm



Panel feed through adapters M12 X-coded to RJ45 for electrical cabinets - straight

P/N
MWN811A415
EAN 4250184157441

2018-22-03

Technical Data

Materials and material properties

Material - Housing	GD-Zn (zinc die-cast)
Material - Contact	CuZn (brass)
Material - Contact finish	Ni + Au (nickel-gold)
Material - Shield	CuSn (tin bronze)
Material - Finish	Ni (nickel)

Environmental conditions

Temperature (min. - max.)	
Temperature - Storage °C	-25 - 85 °C
Temperature - Storage °F	-13 - 185 °F
Temperature - Operating °C	-25 - 85 °C
Temperature - Operating °F	-13 - 185 °F
Particulate ingress interface 1	IP2X
Liquid ingress/immersion interface 1	IPX0
Particulate ingress interface 2	IP6X when plugged in
Liquid ingress/immersion interface 2	IPX7 when plugged in
Overvoltage category	II
Pollution degree	2
Electromagnetic measurement	E ₂

Approvals

RoHS	compliant
UL listed (file no.)	DUXR.E178484

The product meets the following standards

Application-specific communications cabling systems	
Profinet	yes
Connectors for electronic equipment	
circular connector	DIN EN 61076-2-109:2010-08

Data sheet

Page 4/7

**Panel feed through adapters M12 X-coded to RJ45
for electrical cabinets - straight**

P/N

MWN811A415

EAN 4250184157441

2018-22-03

Technical Data**Classifications**

ETIM 5.0	EC001134
ETIM 6.0	EC001134

Packing details

Type of packaging	1 pc(s) / plastic bag
Packaging unit - Weight (gram)	60.00 g
Packaging unit - Weight (pound)	0.13 lb



Data sheet

Page 5/7

Panel feed through adapters M12 X-coded to RJ45 for electrical cabinets - straight

P/N

MWN811A415

EAN 4250184157441

2018-22-03

Accessories

P/N	Designation
700701	M12 screw plug for jacks IP54



Data sheet

Page 6/7

Panel feed through adapters M12 X-coded to RJ45 for electrical cabinets - straight

P/N

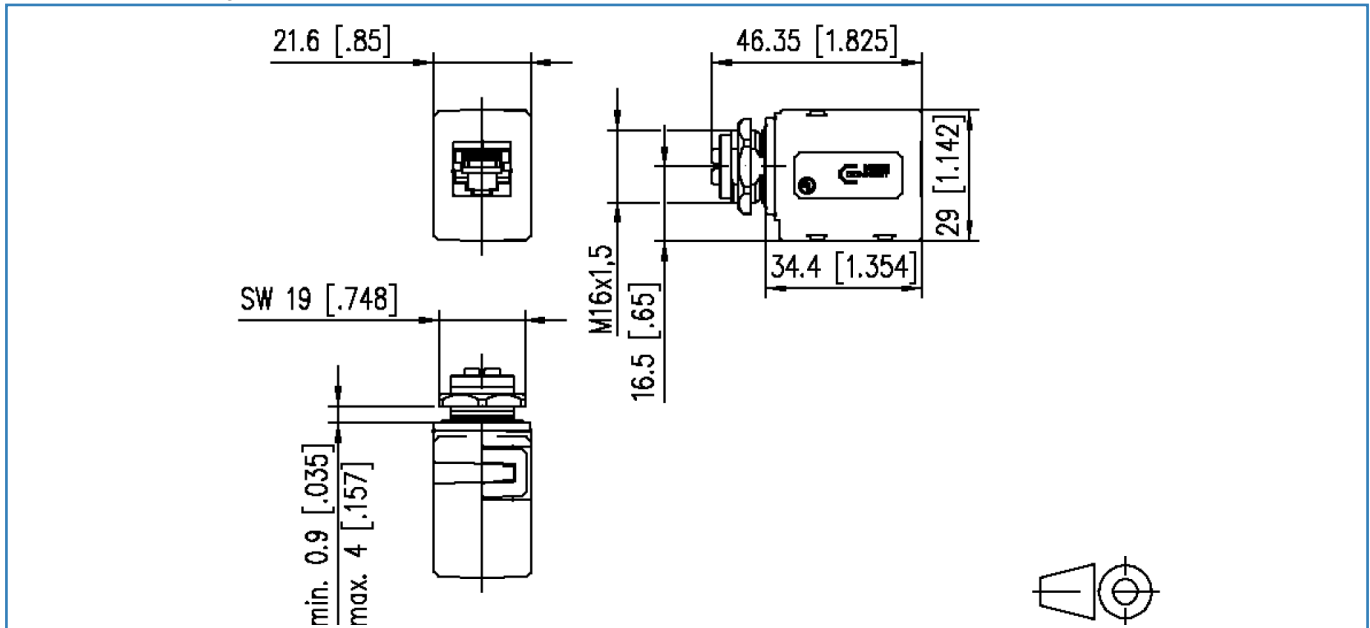
MWN811A415

EAN 4250184157441

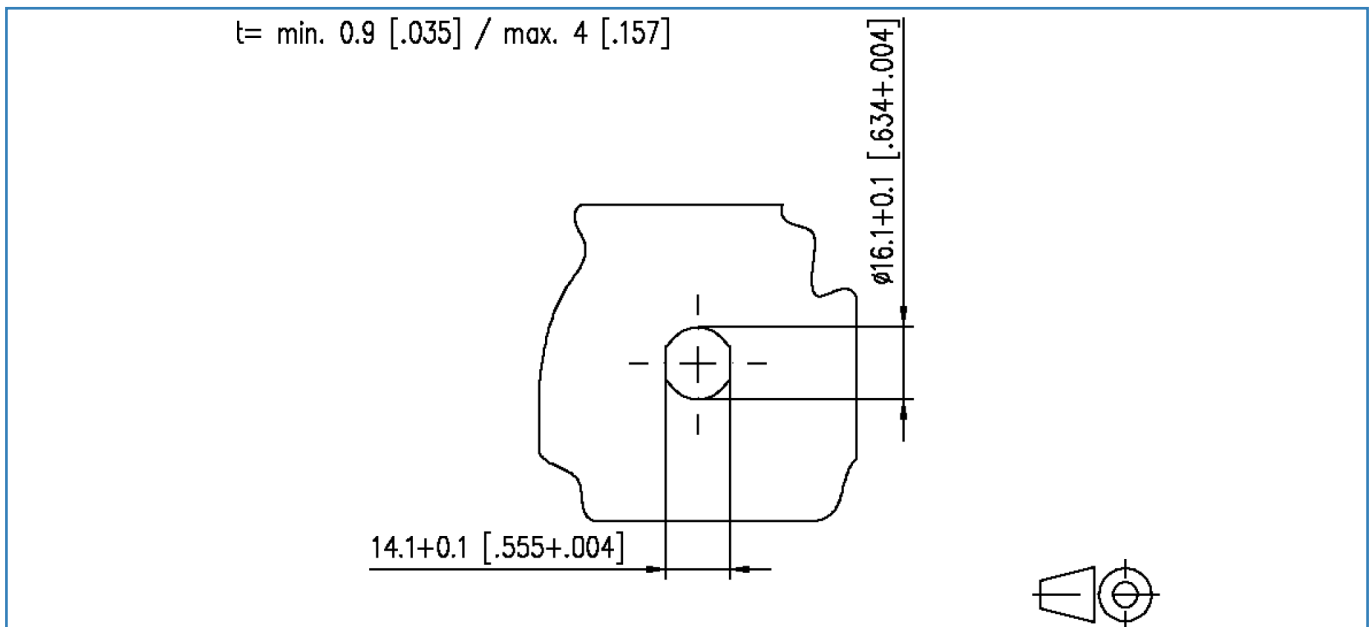
2018-22-03

Illustrations

Dimensional drawing



Cut-out



Panel feed through adapters M12 X-coded to RJ45 for electrical cabinets - straight

P/N

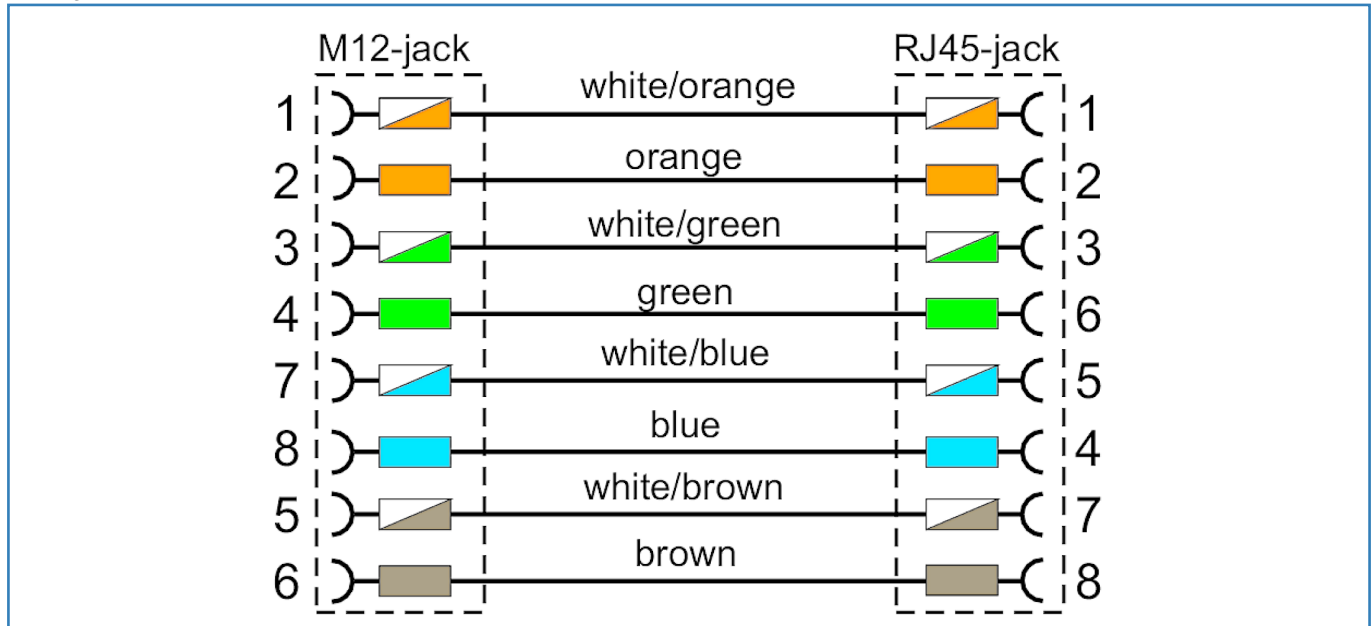
MWN811A415

EAN 4250184157441

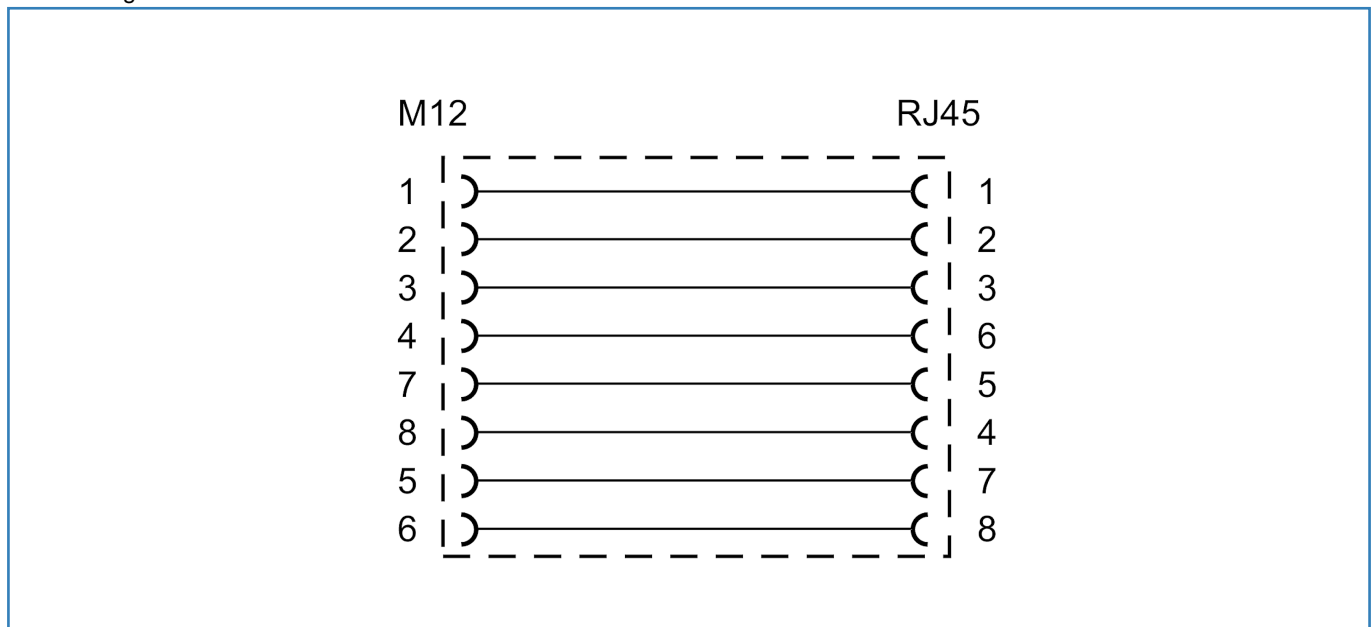
2018-22-03

Illustrations

Wiring



Circuit diagram



© 2018 METZ CONNECT - Technische Änderungen vorbehalten! Subject to modifications! Sous réserve de modifications techniques!