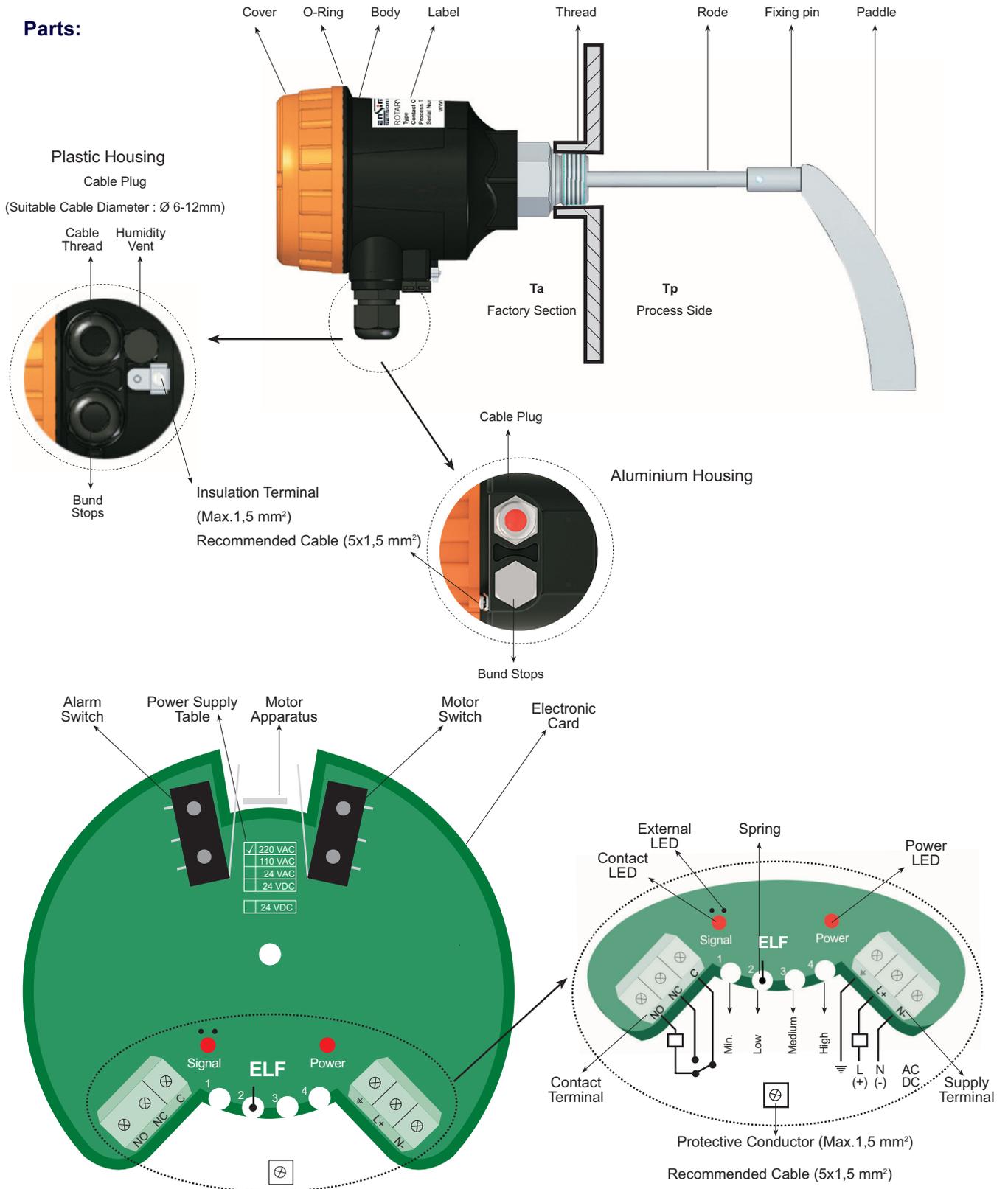
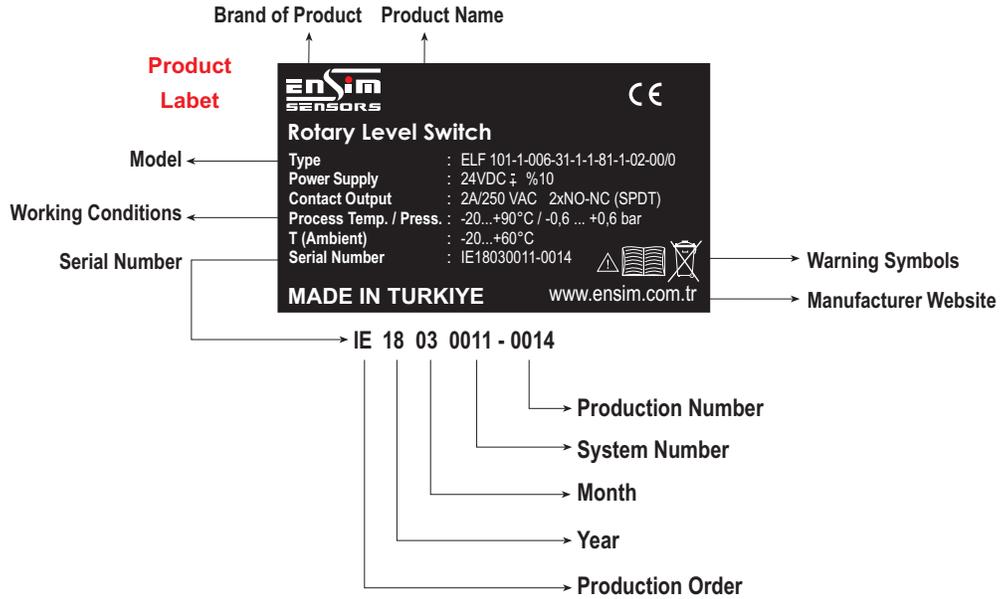




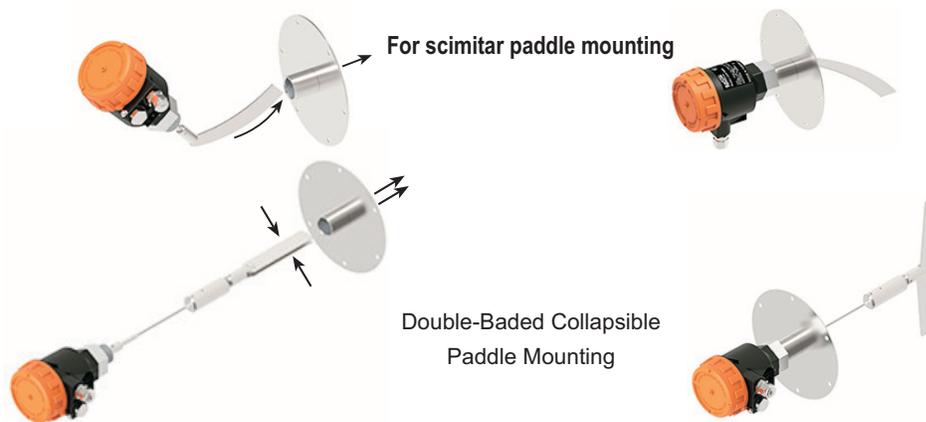
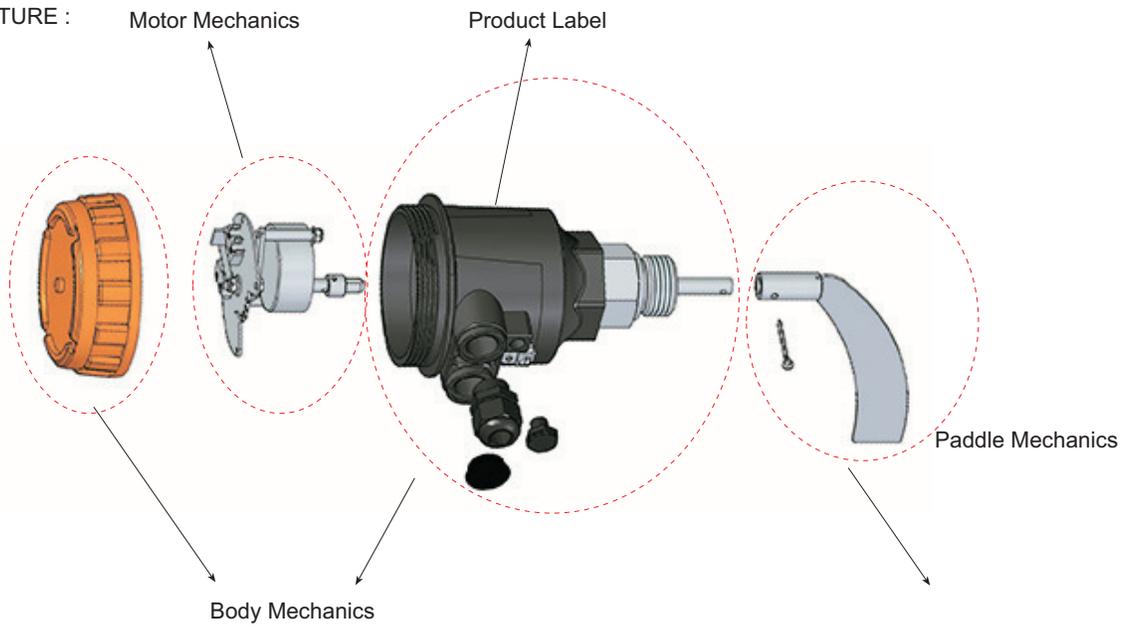
**Parts:**



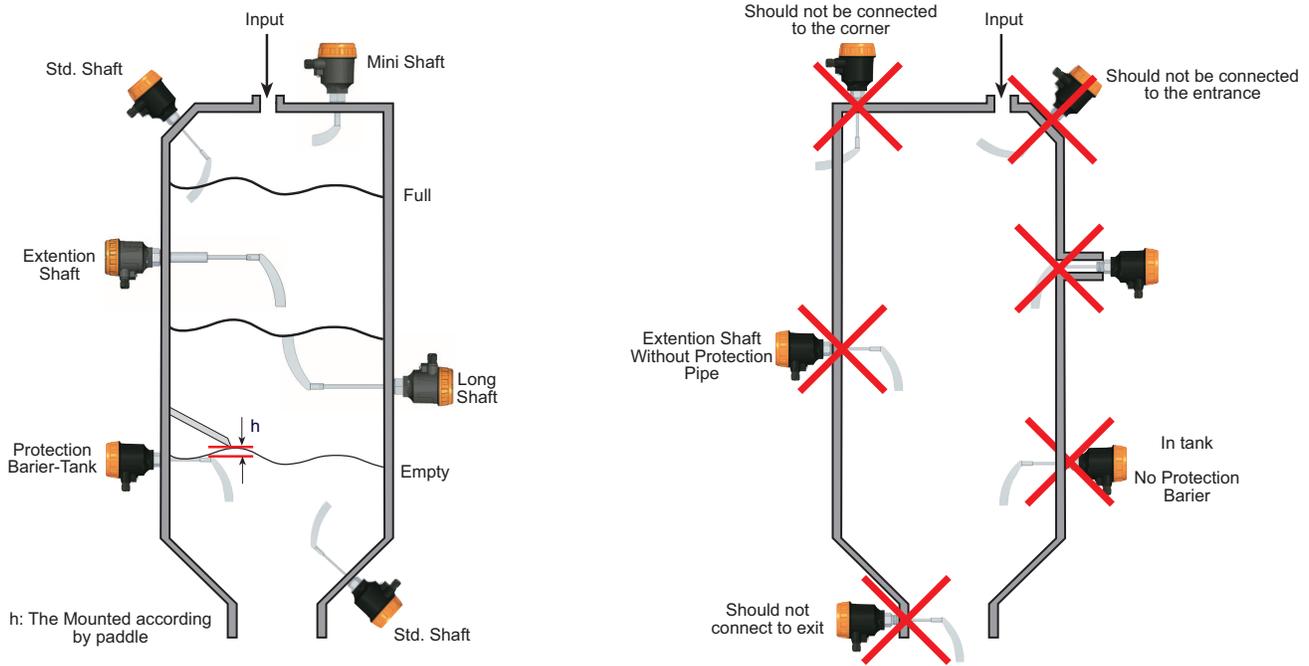
Note : It has been produced according to IPC A 600 class 2 conditions and tested with 100 % E-test. Moreover, HASL (non-lead) surface test has been applied.



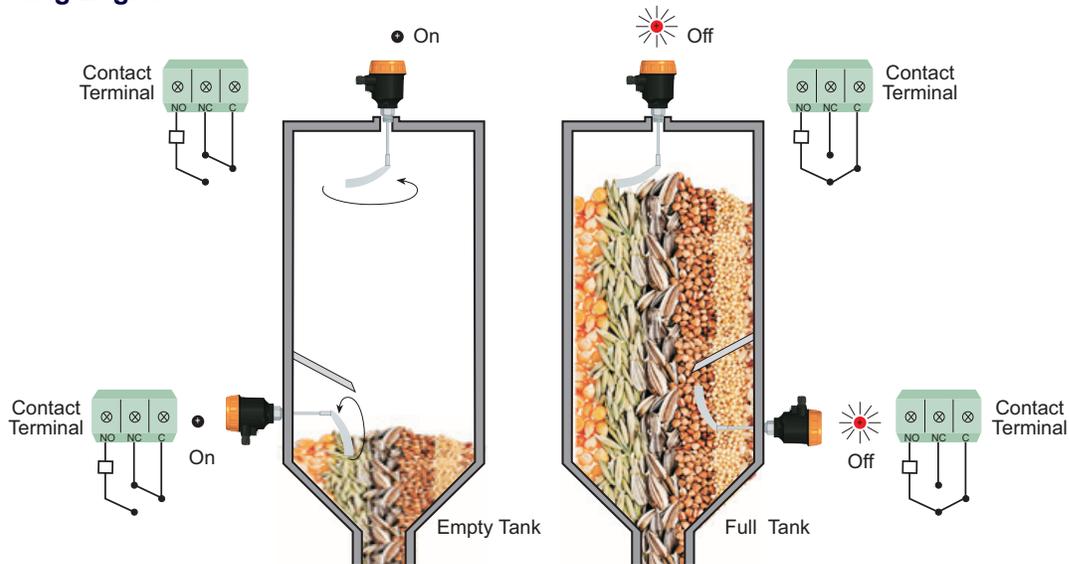
MODULAR STRUCTURE :



### Example Mounting Types :



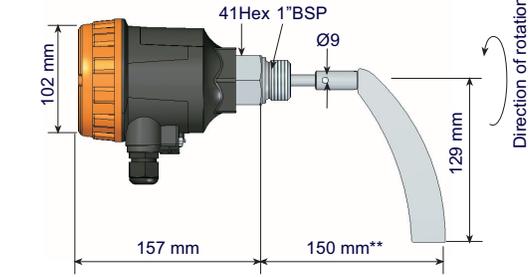
### Switching Logic:



Working Position	Supply	Motor Position	Output Position	Alarm LED Position
Normaly Working	Yes	Stop	-	On light
	Yes	Stop	Full	On light
During an Alarm	Yes	Stop	Full	On light
	Yes	-	Full	Uninspiring

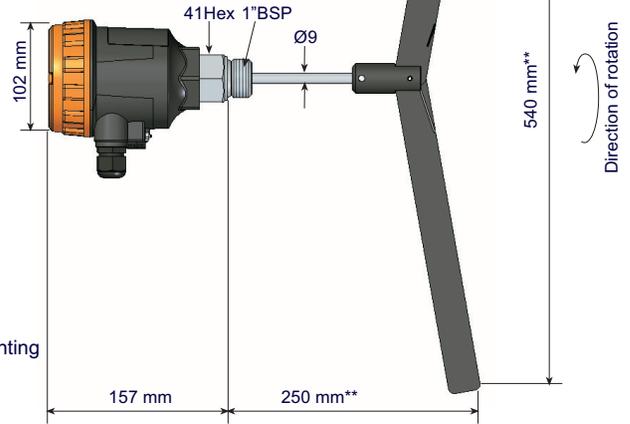
**Sample Models :**

**ELF 11**



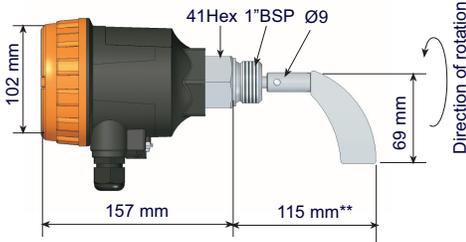
90°C Opt. 150°C  
Vertical / Horizontal Mounting  
Weight : 1.1 kg

**ELF 13p  
(For EPS-XPS)**



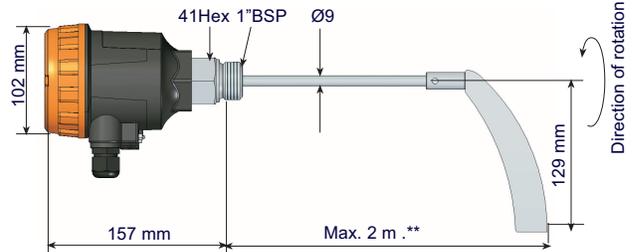
(-20)...+60°C  
Vertical / Horizontal Mounting  
Weight : 1.1 kg

**ELF 12**



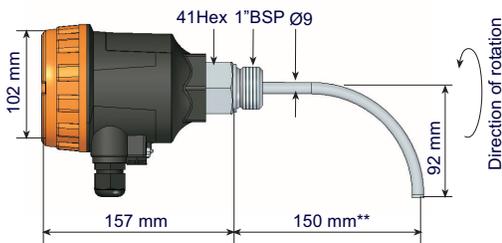
90°C Opt. 150°C  
Vertical / Horizontal Mounting  
Weight : 1 kg

**ELF 13**



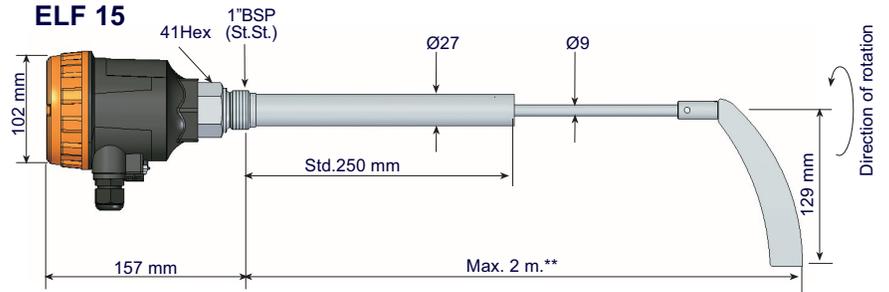
90°C Opt. 150°C  
Vertical Mounting  
Weight : 1.1 kg

**ELF 14**



90°C Opt. 150°C  
Vertical / Horizontal Mounting  
Weight : 1 kg

**ELF 15**

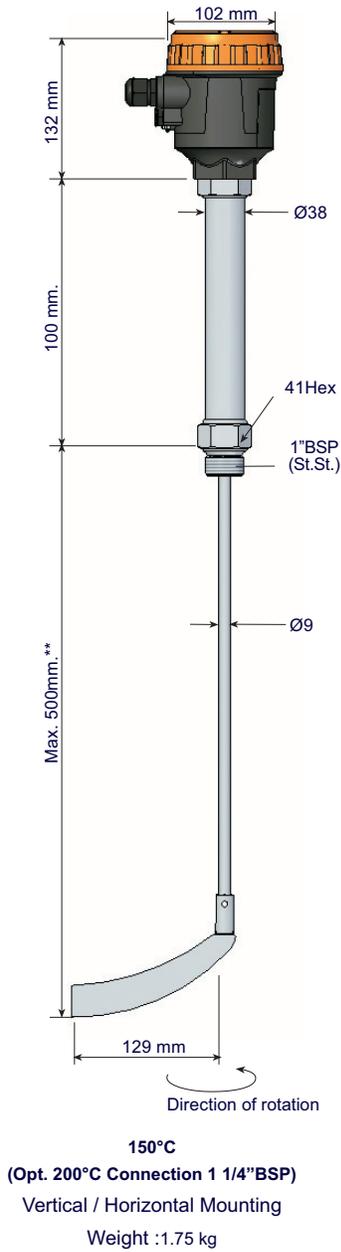


90°C Opt. 150°C  
Vertical / Horizontal Mounting  
Weight : 1.5 kg

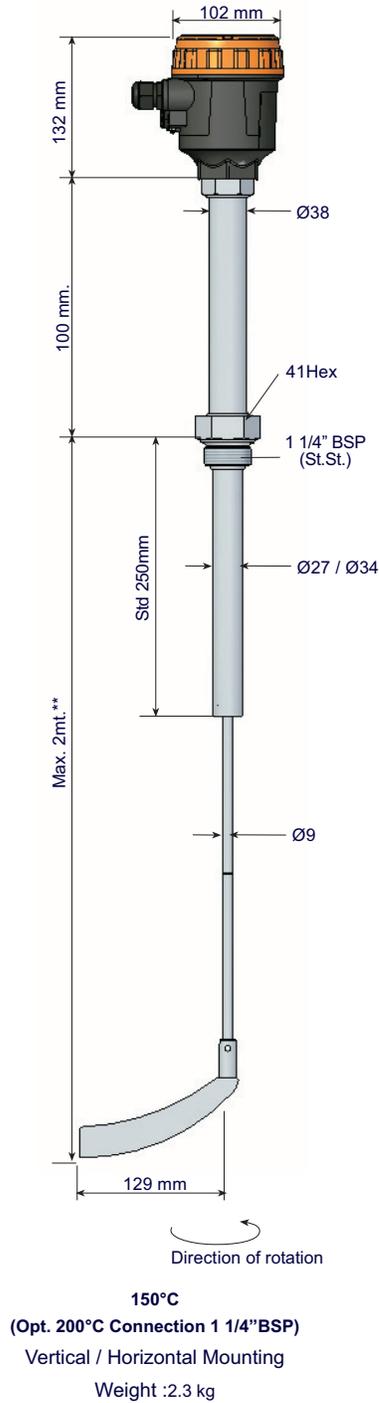
\*\* Tolerance +/- 5 mm .

Sample Models :

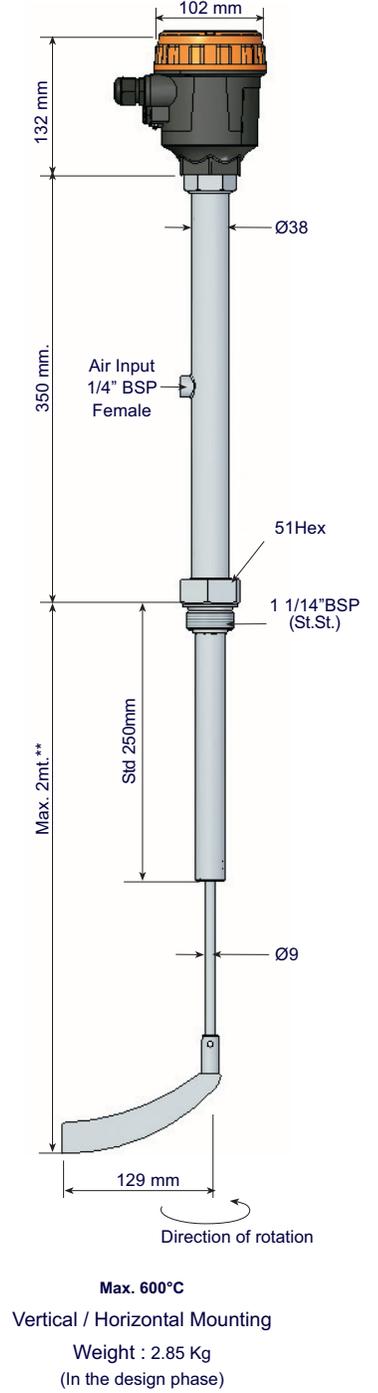
**ELF 106m**



**ELF 106**



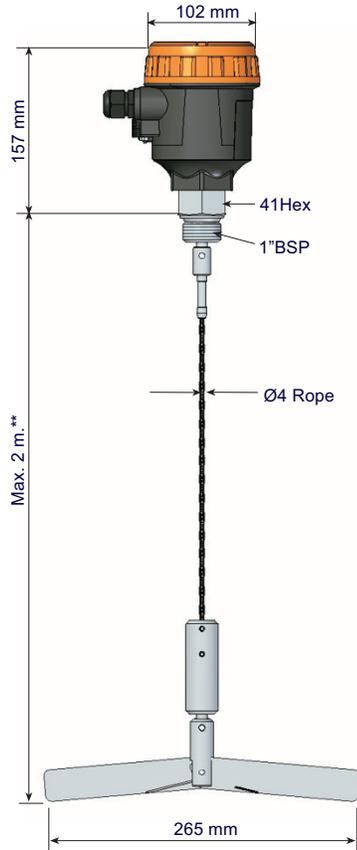
**ELF 107**



\*\* Tolerance -/+ 5 mm .

Sample Models :

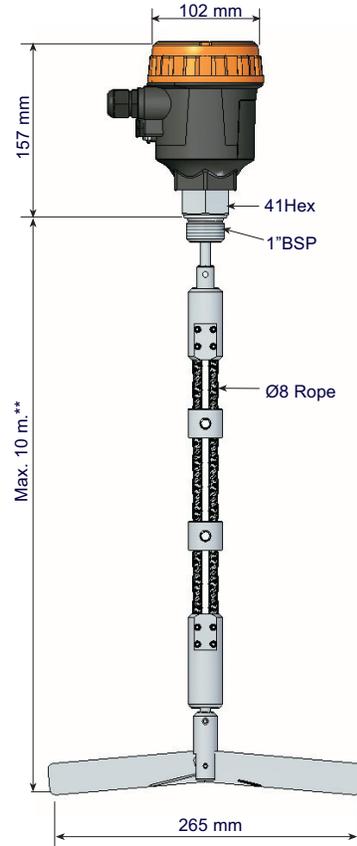
**ELF 108**



Max. 2 m.\*\*

Direction of rotation  
 90°C (Opt.150°C)  
 Vertical Mounting  
 Weight : 1.65 kg

**ELF 19**



Max. 10 m.\*\*

Direction of rotation  
 90°C (Opt.150°C)  
 Vertical Mounting  
 Weight : 2.3 kg

\*\* Tolerance +/- 5 mm .





**Order Form : Please consider sample models when coding**

<b>1</b>	<b>MODEL ELF</b>		
	Standart.....1	Ex Proof Model (In the design state).....2	
<b>2</b>	<b>CERTIFICATE</b>		
	None.....0	(EN10204-3-1) Material Certification.....1	
<b>3</b>	<b>SHAFT TYPE - (STEM LENGHT)</b>		
	Standart Shaft - L= 150 mm.....1	Shaft With Extention Tube - L= 2m.(For High Temperature).....6	
	Mini Shaft - L= 75 mm.....2	Mini-Shaft With Extention Tube - L= 150mm Max.500.....6m	
	Long Shaft - L= 500 mm .....3	Extention High Temperature Shaft- L= 2m.(At the design state)..7	
	Standart Shaft - L= 250 mm.....3p	Rope Shaft - L= 2000 mm).....8	
	Single Shaft - L= 500 mm .....4	Reinforced Rope (28 KN) - L= Max.10m.....9	
	Cable Extented Shaft - L= 500 mm.....5	Special.....x	

<b>4</b>	<b>PADDLE TYPE</b>		
	Without Paddle (184mm) .....0	Cross-Wing Paddle (210mm).....5	
	Standart Scimeter Paddle (258mm).....1	Cross-Wing Paddle (298 mm).....6	
	Mini Paddle (138mm).....2	Single Wing Paddle (80x65mm).....7	
	Double-Baded Collapsible Paddle (265mm).....3	Single Wing Paddle (74x35mm).....8	
	Double-Baded Collapsible Paddle-Plexiglass(540mm).....4	Special.....x	

<b>5</b>	<b>CONNECTION</b>		
	* 1" BSP Male Thread (Std).....006	1 1/2" BSP Male Thread .....008	
	1 1/4" BSP Male Thread .....007	Special.....x	
	<b>*Those can be chosen(applicable)only products with 90 Celcius working temprature.</b>		

<b>6</b>	<b>CONNECTION MATERIAL</b>		
	304 Stainless Steel.....01	PVC (Max.60°C).....61	
	316 Stainless Steel.....02	Delrin (Max.60°C).....63	
	Aluminium (Std).....31	PTFE (Max.200°C).....66	
		Special.....x	

<b>7</b>	<b>POWER SUPPLY</b>		
	24 VDC.....1	220 VAC 50/60Hz +/- %10.....4	
	24 VAC 50/60 Hz +/- %10 .....2	48 VAC 50/60Hz +/- %10.....5	
	110 VAC 50/60 Hz +/- %10.....3	Special.....x	

<b>8</b>	<b>REVOLUTIONS PER MINUTE</b>		
	5 d/d (Std) .....1	Special.....x	
	1,5 d/d .....2		

## 9 MMATERIAL OF POWDER FEELTING

PTFE Max. 200°C.....66	Graphite Max. 600°C (In the design state).....86
NBR (Std) Max.90°C.....81	Special.....x
FPM Maxs. 150°C.....85	

## 10 ROLLER

Metal Ball Bearing (Std) 120°C.....1	Metal Ball Bearing 280°C.....3
Ceramic Ball Bearing.....2	Special.....x

## 11 HOUSING MATERIALS

Plastic (PBT) B20p.....02	Special.....x
Aluminum B20x.....25	

## 12 ELECTRICAL CONNECTION

With Terminals.....00	Special.....x
-----------------------	---------------

## 13 OPTIONAL

None...../ 0	Muff 1" BSP 304 St.St...../ M1
Reduction 1" BSP - 1 1/4" BSP 304 St.St...../ R1	Muff 1 1/4" BSP 304 St.St...../ M2
Reduction 1" BSP - 1 1/2" BSP 304 St.St...../ R2	Muff 1 1/2" BSP 304 St.St...../ M3
Reduction 1" BSP - 1 1/4" BSP 316 St.St...../ R3	Muff 1" BSP 316 St.St...../ M4
Reduction 1" BSP - 1 1/2" BSP 316 St.St...../ R4	Muff 1 1/4" BSP 316 St.St...../ M5
Reduction 1" BSP - 1 1/4" BSP ST 37 Steel...../ R5	Muff 1 1/2" BSP 316 St.St...../ M6
Reduction 1" BSP - 1 1/2" BSP ST 37 Steel...../ R6	Muff 1" St 37 Steel...../ M7
Reduction 1" BSP - 2" BSP 304 St.St...../ R7	Muff 1 1/4" ST 37 Steel...../ M8
Flange with muff 110mm 304 St.St...../ F1	Muff 1 1/2" ST 37 Steel...../ M9
Flange with muff 110mm 316 St.St...../ F2	M12 x 5 pin socket (Max. 60 V)...../ S1
Flange with muff 200mm 304 St.St...../ F3	External LED socket...../ L1
Flange with muff 200mm 316 St.St...../ F4	Change for body - Cover ...../ Z1
Protection plate 304 St.St...../ K1	Special.....x
Shelter - (For the outside of the tank) 304 St.St. ....// K2	

**Important Note : In high temperature applications , felting and protection material must be selected appropriately.**

## SAMPLE

ELF 101 - 1 - 006 - 31 - 1 - 1 - 81 - 1 - 02 - 00 / 0

Rotary Level Switch , ELF 101 , Standard Paddle , L=150mm , 1" BSP, 24VDC