

The EPS Pressure Switch is used for inline pressure measurement and control.

**Application Areas :**

Combi, water heater, cooling water, lobarications oil etc...

The ideal type of assembly is vertical.



Ranges	Model	
(-) 0.8...(-) 0.1 bar	*	EPS 00p
0,2..1 bar	EPS 01s	EPS 01p
0,5..5 bar	EPS 05s	EPS 05p
1..10 bar	EPS 10s	EPS 10p
2..20 bar	EPS 20s	EPS 20p
10..100 bar	EPS 100s	*
50..200 bar	EPS 200s	*
50..400 bar	EPS 400s	*

**Working Principle:**

Inside the body , there are a compressed spring and a diaphragm. The spring and diaphragm move with pressure and trigger the contact and give pressure information. When the pressure is come down to adjusted pressure value , the contact is turn back to former position. High precision and durable contact is used.

**EPS PRESSURE SWITCH**

**EPS 01s , EPS 00p**  
**EPS 05s , EPS 01p**  
**EPS 10s , EPS 05p**  
**EPS 20s , EPS 10p**  
**EPS 100s , EPS 20p**  
**EPS 200s**

**Advantages :**

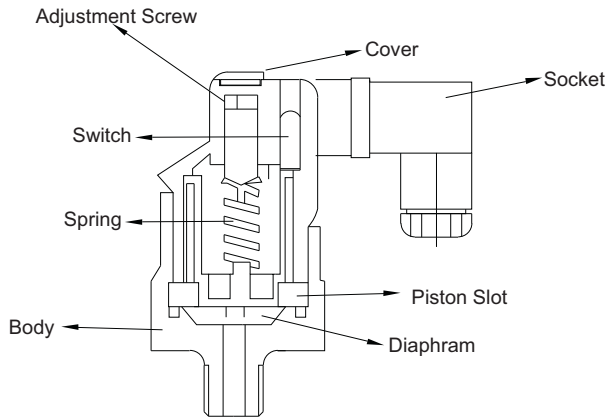
- \* High reliable accuracy
- \* Easy adjustable
- \* Economical.

**Technical Specifications :**

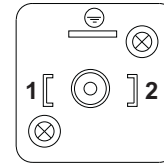
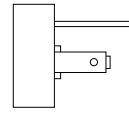
	Metal Type	PlasticType
Body materials	316 St.St.	PP
Diaphragm	St. St. 20 bar Viton	NBR Op.Viton
Plastic Parts	PP	PP
O-Ring	NBR	NBR
Mechanical Connections	1/4" BSP (Std.)	1/4" BSP (Std.)
Max. Pressure	x1.5	x1.5
Max. Current	5A / 250 VAC	5A / 250 VAC
Contact	1 x NO / NC	1 x NO / NC
Working Life	10.000.000 times (Depends on working range)	10.000.000 times (Depends on working range)
Working Temperature	(-) 40....+150 °C	-25.....+60 °C
Relative Humidity	5-95 %RH	5-95 %RH
Protection	IP 65	IP 65
Weight	200 g.	100 g.
Box Dimensions	50x90x90 mm	50x90x90 mm

Model : 01-2017-002





**Electrical Connections:**



Normally Open 1  
 Normally Closed 2  
 Common  $\ominus$

**The process of setting the set value:**

- 1- Remove plug , you will see the 3 mm allen screw underneath.Set adjustment can be made easily with allen.
- 2- Rotate clockwise to increase to set point and counter clockwise to decrease.
- 3- When set point is achived plug again.

**Order Form: Please consider sample models when coding!..**

**1 MODEL EPS**

	Stainless Type	Plastic Type
(-) 0.8...(-) 0.1 bar .....	*	EPS 00p
0,2..1 bar .....	EPS 01s	EPS 01p
0,5..5 bar .....	EPS 05s	EPS 05p
1..10 bar.....	EPS 10s	EPS 10p
2..20 bar.....	EPS 20s	EPS 20p
10..100 bar.....	EPS 100s	*
50..200 bar.....	EPS 200s	*
50..400 bar.....	EPS 400s	*
Special Range!.....	x	x

**2 ALARM POSITION**

Increase in pressure.....0  
 Decreasure in pressure.....1

**3 OPTIONAL**

Viton Diaphragm ...../ V                      Stainless Diaphragm (until 10 bar)...../ P

**SAMPLE**

EPS 05s - 2,5 bar - 0  
 EPS 05s, 0,5/5 bar, Set Value : 2,5 bar adjusted, Increase in pressure