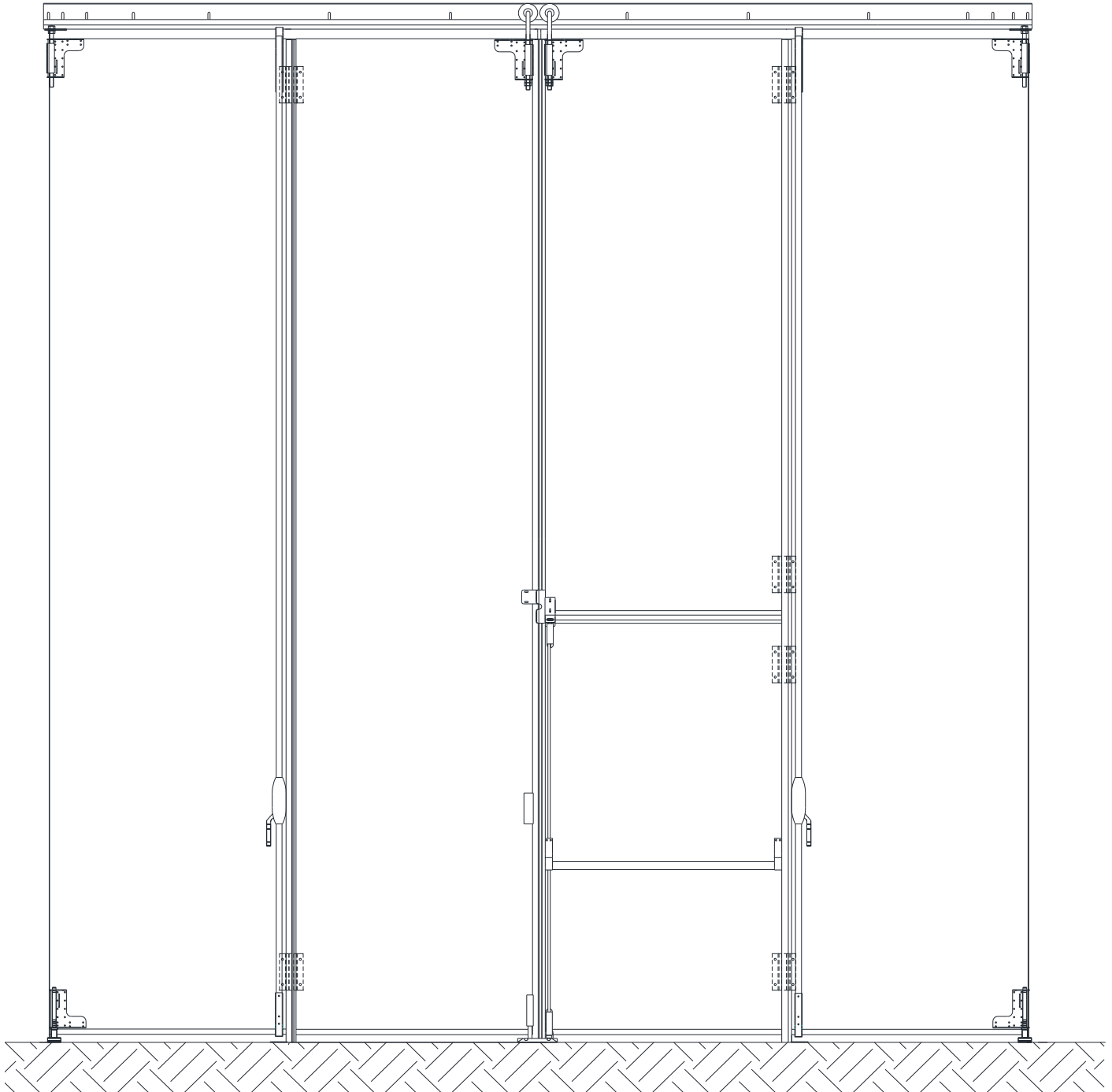


SMART - FOLDING DOOR WITHOUT BOTTOM RAIL - G150

Mod. 1002S(2+0), 1003S(3+0), 2002S(1+1), 2003S(2+1), 2004S(2+2), 2005S(3+2),
2006S(3+3)/(4+2), 2008S(4+4)



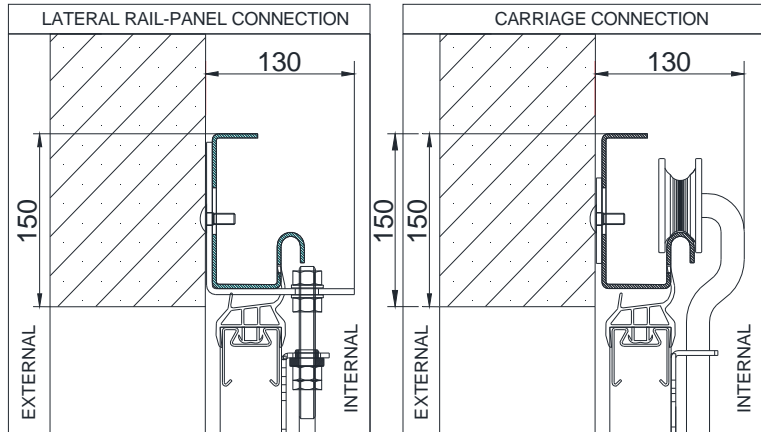
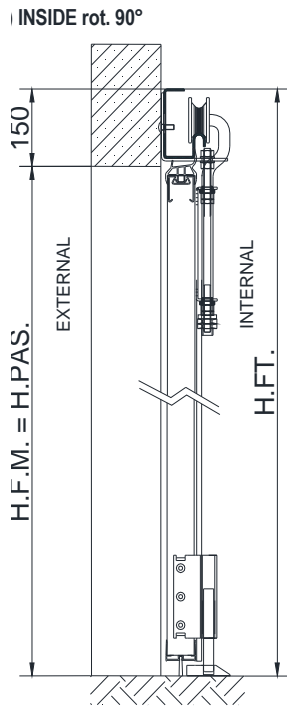
IM.VA. srl - 41030 San Prospero (MO) - Via Buozzi 4/A

Tel. +39 059 908313 - Fax. +39 059 906301 - www.imva.it - info@imva.it

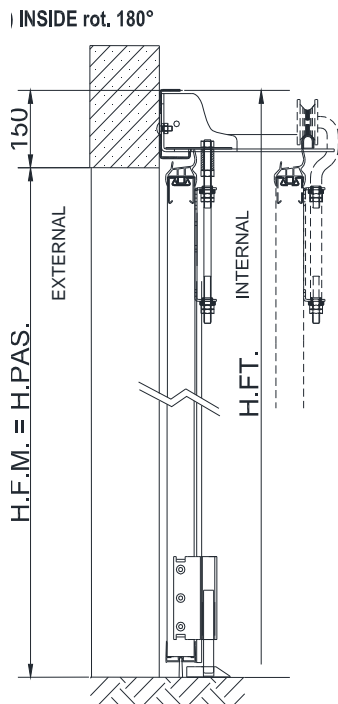
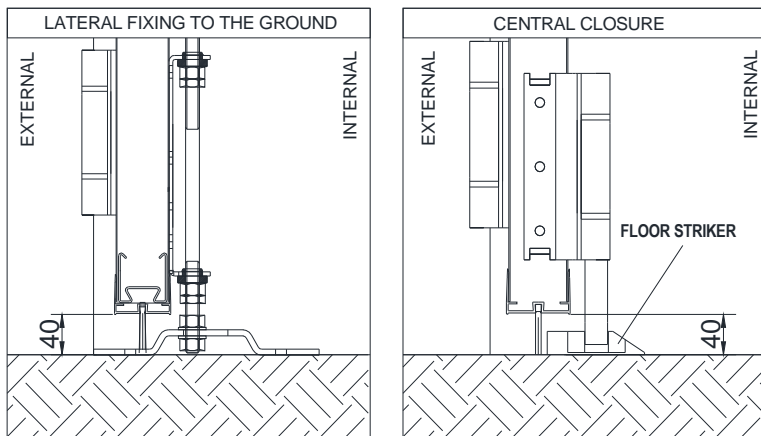
VERTICAL SECTIONS

FACE FIXED

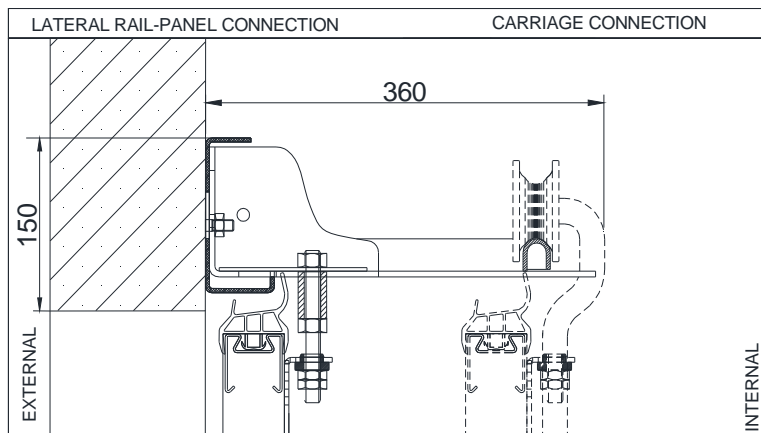
DETAIL OF TOP RAIL



DETAIL OF LOWER AREA



DETAIL OF TOP RAIL



The Manufacturer reserves the right to modify, supplement and improve the manual, any time, without the present publication being for that reason considered inadequate

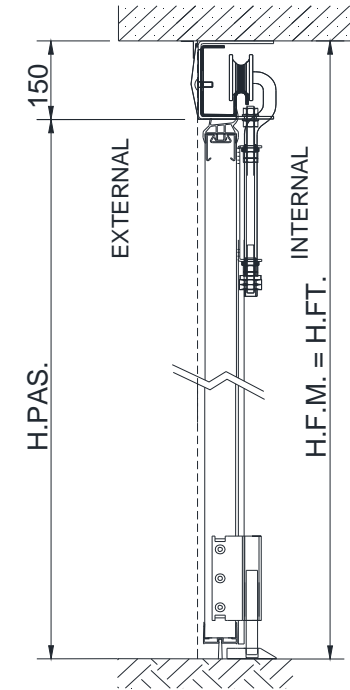
IM.VA. srl - 41030 San Prospero (MO) - Via Buozzi 4/A

Tel. +39 059 908313 - Fax. +39 059 906301 - www.imva.it - info@imva.it

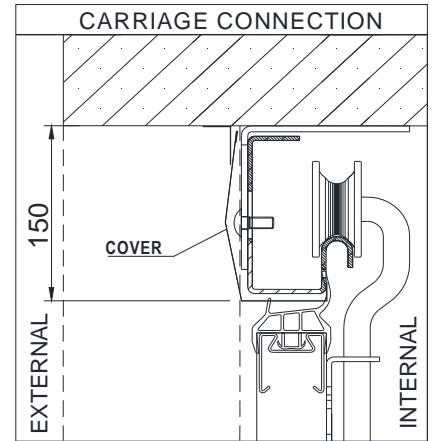
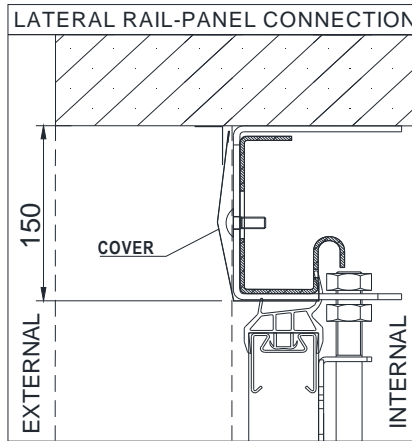
VERTICAL SECTIONS

1) FACE FIXED

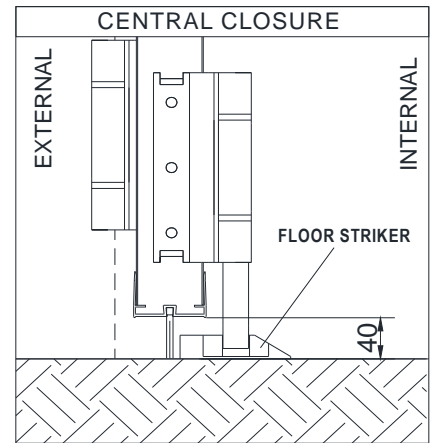
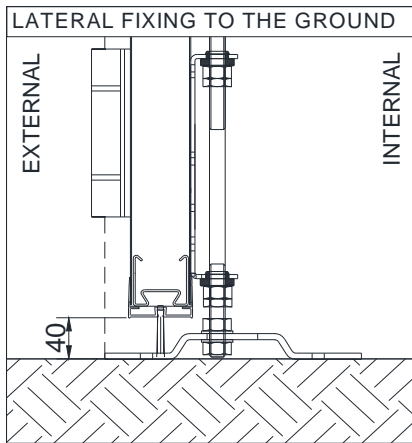
a) INSIDE rot. 90°



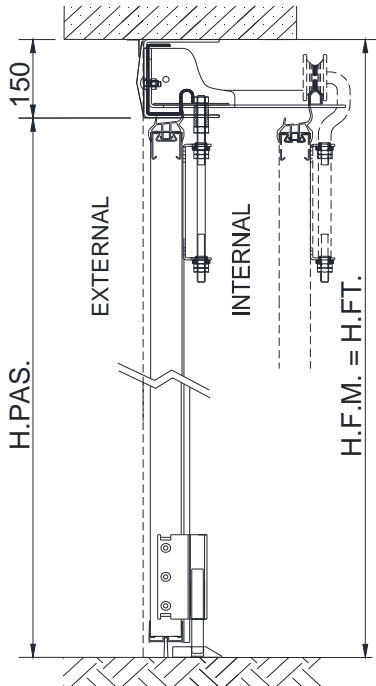
DETAIL OF TOP RAIL



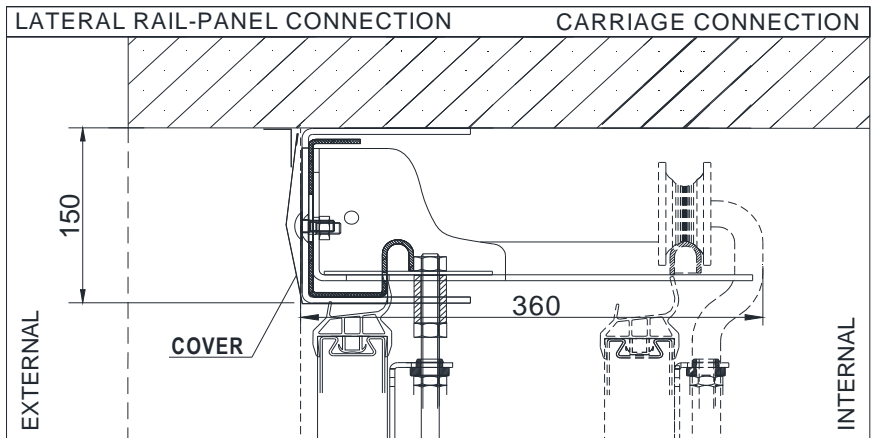
DETAIL OF LOWER AREA



b) INSIDE rot. 180°



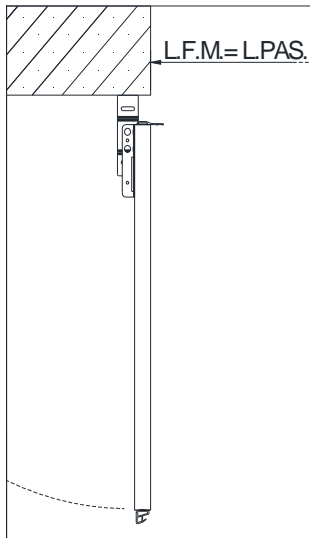
DETAIL OF TOP RAIL



The Manufacturer reserves the right to modify, supplement and improve the manual, any time, without the present publication being for that reason considered inadequate.

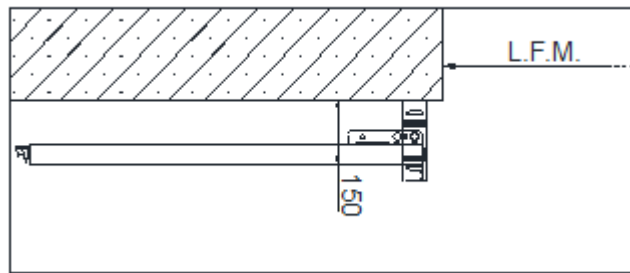
HORIZONTAL SECTIONS

DIMENSIONS 1 LEAF FACE FIXED 90° AND 180°

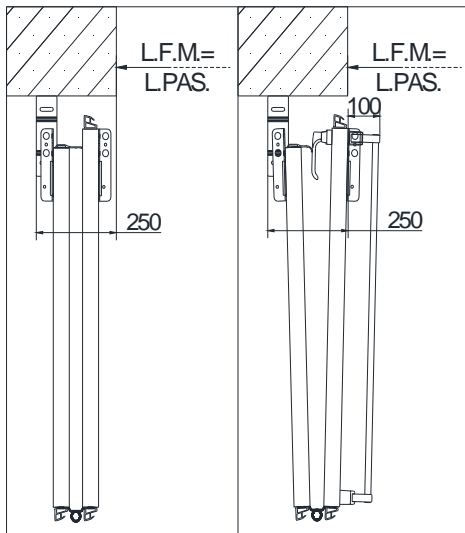


Note:
FOR A RIGHT DOOR
WORKING THE MINIMUM SIDE
SPACE MUST BE MM. 110

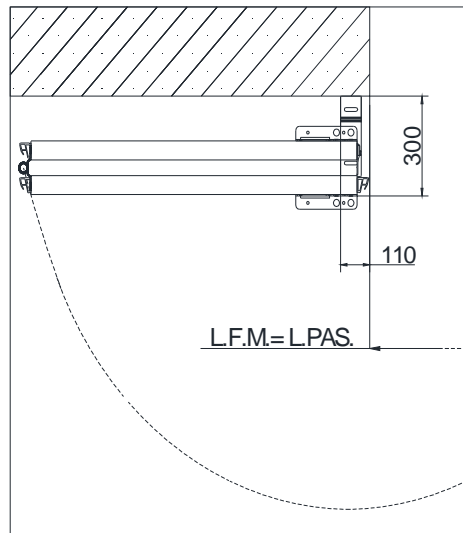
DIMENSIONS 1 LEFT FACE FIXED 180°



DIMENSIONS 2 LEAVES FACE FIXED 90°

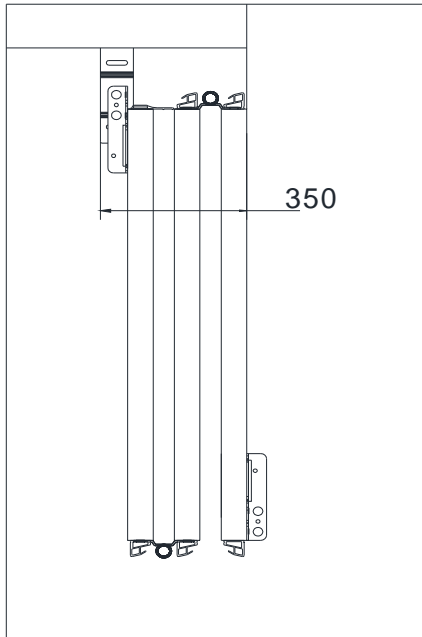


DIMENSIONS 2 LEAVES FACE FIXED 180°

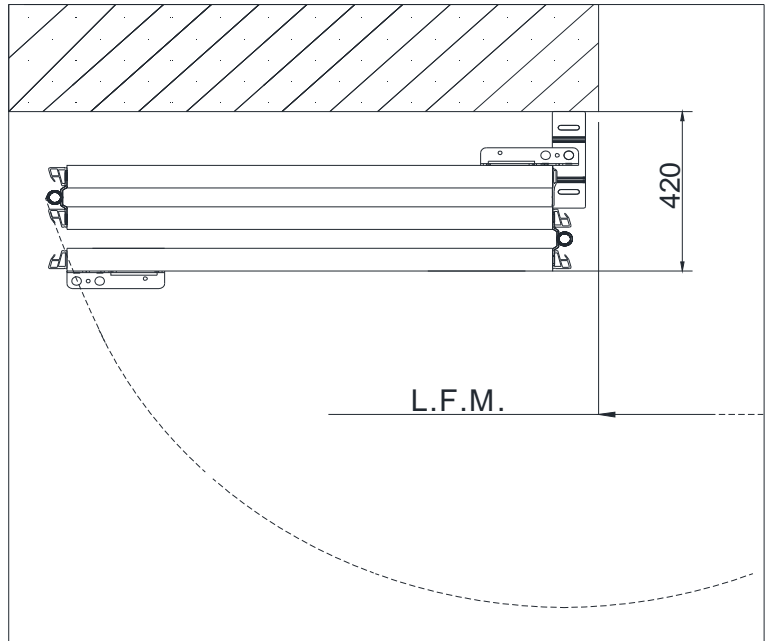


The Manufacturer reserves the right to modify, supplement and improve the manual, any time, without the present publication being for that reason considered inadequate.

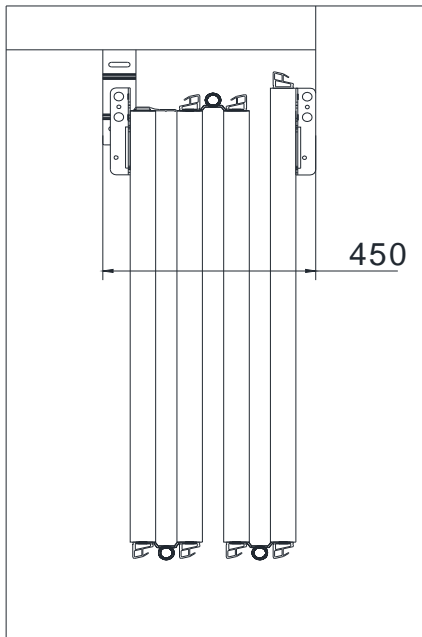
DIMENSIONS 3 LEAVES FACE FIXED 90°



DIMENSIONS 3 LEAVES FACE FIXED 180°



DIMENSIONS 4 LEAVES FACE FIXED 90°



The Manufacturer reserves the right to modify, supplement and improve the manual, any time, without the present publication being for that reason considered inadequate.