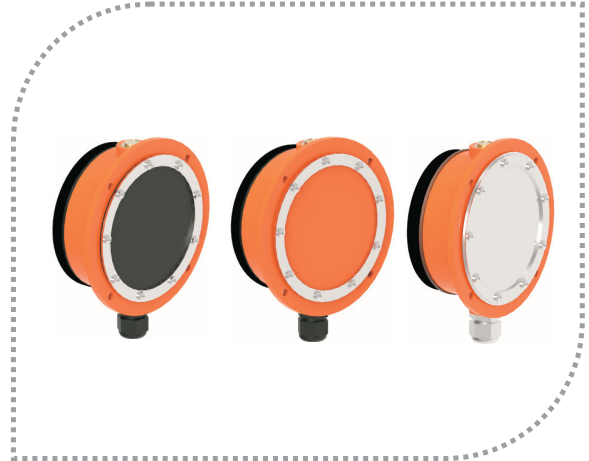


Working Principle:

Level control with membrane is the most economical method in measurement of level of bulk material in the storage. It can be used in open and non-pressure tanks. ELZ can check full, empty and loaded situations of powdered, dusty, corny, granular, grained bulk materials in the grain elevator. It is appropriate for using in the particles in 0,3 and 2,5 t/m³ and up to max. 30 mm. Membrane should contact with checked material certainly.

As long as material, which is poured to the grain elevator, accumulates, membrane is closed. Material pushes membrane back with composed press and mechanism pushes the contact. Contact gives audible alarm or it is used for stopping filling mechanism of grain elevator. When material precipitates and reduces, contact reverts back. Precision setting is made during assembly by sliding the mechanism.



ELZ LEVEL SWITCH WITH DIAPHRAGM

FOR BULKED GOODS

- ELZ 11**
- ELZ 21**
- ELZ 31**

Advantages :

- * Economical.
- * Easy installation and commissioning.
- * Fast delivery.



Technical Specifications :

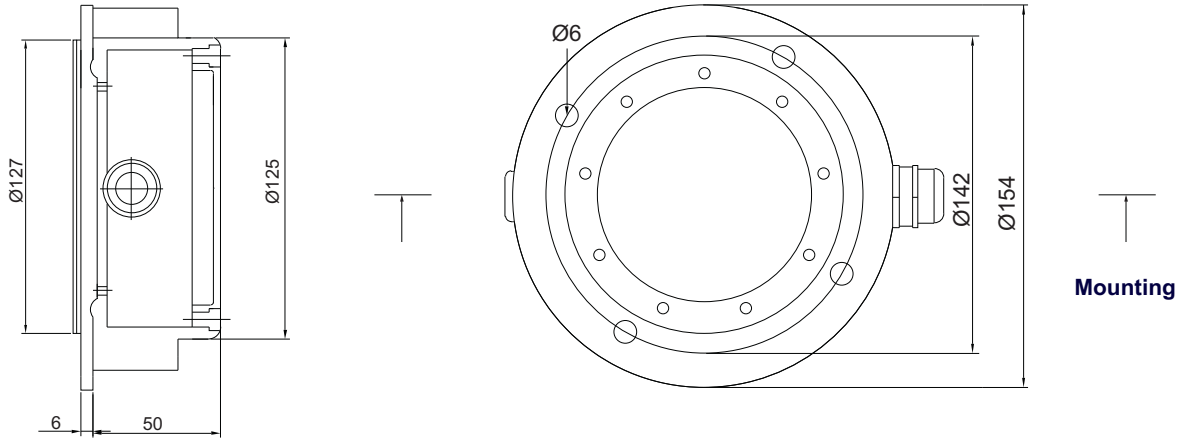
Installation	Vertical
Material	Plastic (Glass-fibre reinforced) Aluminum Alloy (ELZ31)
Diaphragm	Neopren , Viton , St. St.
Working Temperature	-20/+80 C With NBR Dia. ELZ 11 -20/+150 C With Viton Dia. ELZ 21 -20/+200 C With St.St. Dia. ELZ 31
Protection Class	IP 40
Max. Working Pressure	3 bar 1 bar (For Stainless Steel Diap.)
Weight With box	525 g. 990 g. (For ELZ 31)
Accuracy	100 gr. 250 gr. adjustable
Electrical Connection	PG 13,5 Plastik , PG 11 Metal (ELZ31)
Contact Output	1xSPDT 15A/250VAC

Areas of Application ;

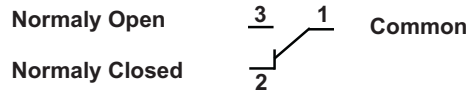
Sugar, Hazelnut, Clay, Sunflower Seed, Coffee, Various Granules, Wheat, Bauxite, Ceramic, Legumes, Cereal, Fish Feed, Sand, Pebble, Isolation Materials, Corn, Rice ...

Model : 09-2017-003

Dimensions :



Electrical Connection :



Order Form: Please consider sample models when coding!..

1 MODEL ELZ

2 DIAPHRAGM MATERIAL

- Neopren.....11
- Viton.....21
- Stainless Steel.....31

SAMPLE

ELZ - 21, With Viton Diaphragm