

Data sheet

E-DAT Industry IP67 V14 plug housing for FO unequipped

Page 1/5

P/N

14010850F0ME

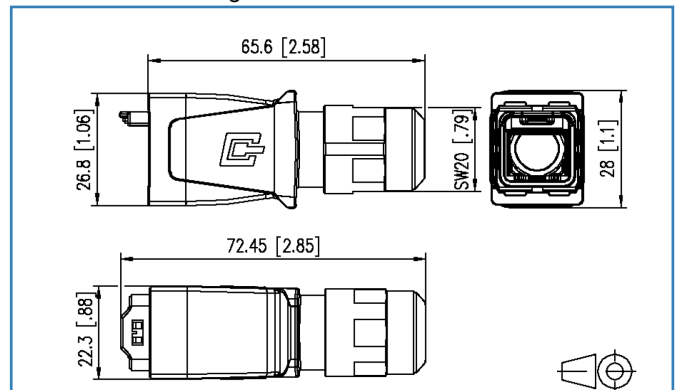
EAN 4250184123699

2017-13-04

Illustrations



Dimensional drawing



See enlarged drawings at the end of document

Product specification

- plug housing with push-pull-lock acc. to ISO/IEC 24702 and IEC 61076-3-117 var. 14
- IP67 protected housing to hold OpDAT Industry plug inserts
- increased diameter range of 10 mm for connection of cable jackets
- resistant to welding sputter
- industry-compatible metal housing with improved durability
- flammability class as per UL 94V-0
- improved resistance to chemical substances
- snap-on clip for color coding after assembly
- cable can be pushed through preassembled plug housing
- matching plug inserts OpDAT Industry 2LC plug insert, OpDAT Industry 2SC plug insert
- variants: plug housing, bend-protected plug housing

Technical Data

General Data

Fields of application	Harsh environment
Design	Plug housings
Color	metallike
Dimensions	
Dimension (L x W x H)	65.60 x 22.30 x 28.00 mm
Dimension (L x W x H)	2.583 x 0.878 x 1.102 in.
Labeling option	on housing
Marking option	by latching clip

Connections/interfaces

Number of ports interface 2	1
Number of ports interface 2 equipped	0
Protective housing interface 1	V14
Protective housing interface 2	V14
Cable sheath diameter (min. - max.)	
Cable sheath diameter	5.00 - 10.00 mm
Cable sheath diameter	0.197 - 0.394 in.
Module plug-in direction	straight
Cable access/outlet	180°

Mechanical characteristics

Locking method (protective housing)	Push Pull
-------------------------------------	-----------

Materials and material properties

Material - Protective housing	GD-Zn (zinc die-cast)
-------------------------------	-----------------------

Environmental conditions

Temperature (min. - max.)	
Temperature - Storage °C	-40 - 70 °C
Temperature - Storage °F	-40 - 158 °F
Temperature - Operating °C	-40 - 70 °C
Temperature - Operating °F	-40 - 158 °F
Particulate ingress	IP6X
Liquid ingress/immersion	IPX7



E-DAT Industry IP67 V14 plug housing for FO unequipped

P/N

14010850F0ME

EAN 4250184123699

2017-13-04

Technical Data

Environmental conditions

Resistance to welding beads	yes
Increased robustness	yes
Increased chemical resistance	yes

Approvals

RoHS	compliant
UL listed (file no.)	DUXR.E178484

The product meets the following standards

Generic cabling systems	
Industrial area	ISO/IEC 24702
Degrees of Protection Provided by Enclosures	IEC 60529
Connectors for electronic equipment	
Rectangular connectors	DIN EN 61076-3-117

Classifications

ETIM 5.0	EC002597
ETIM 6.0	EC002597

Packing details

Type of packaging	10 pc(s) / box
Packaging unit - Weight (gram)	736.00 g
Packaging unit - Weight (pound)	1.62 lb
Packaging dimension (W x H x D)	247.00 x 161.00 x 58.00 mm
Packaging dimension (W x H x D)	9.724 x 6.339 x 2.283 in.



E-DAT Industry IP67 V14 plug housing for FO unequipped

P/N

14010850F0ME

EAN 4250184123699

2017-13-04

Accessories

P/N	Designation
1401088002KI	E-DAT Industry IP67 V14 plug protection cap
1402800820-I	OpDAT Industry 2LC MM plug insert
1402900820-I	OpDAT Industry 2LC SM plug insert
1401009001-I	Industry color coding ring V1/V4/V14 orange
1401009003-I	Industry color coding ring V1/V4/V14 light grey
1401009004-I	Industry color coding ring V1/V4/V14 white
1401009005-I	Industry color coding ring V1/V4/V14 yellow
1401009006-I	Industry color coding ring V1/V4/V14 blue
1401009007-I	Industry color coding ring V1/V4/V14 green
1402500822-I	OpDAT Industry 2SC MM plug insert
1402600822-I	OpDAT Industry 2SC SM plug insert
1402700822-I	OpDAT Industry 2SC POF plug insert



Illustrations

Dimensional drawing

