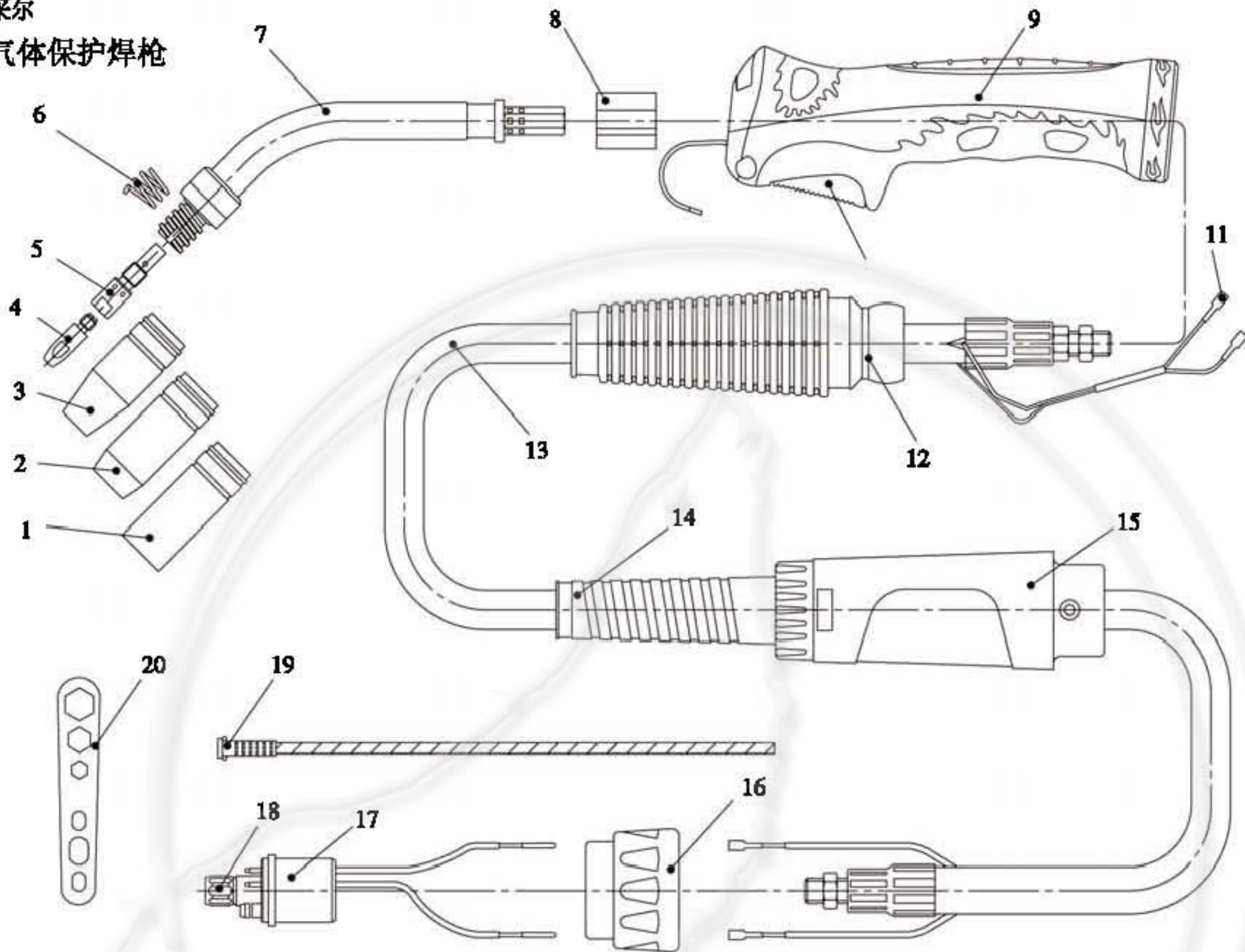


Compatible Torch and Parts For BINZEL

### BW 25AK Air Cooled MIG/MAG Welding Torch

枪与配件适用于宾采尔

### BW 25AK 气体保护焊枪



#### Technical Data (技术参数)

Rating (额定值): 230A CO<sub>2</sub>  
200A Mixed Gases 混合气体  
Duty cycle (暂载率): 60%  
Wize size (焊丝直径): 0.8 ~ 1.2mm

No.	Description	Order	OEM p/n
	BW 25AK Complete Torch-3M BW 25AK整枪-3米	BW 004.0312	004.0312
	BW 25AK Complete Torch-4M BW 25AK整枪-4米	BW 004.0313	004.0313
	BW 25AK Complete Torch-5M BW 25AK整枪-5米	BW 004.0314	004.0314
1	Cylindrical Nozzle Φ18mm 柱形喷管 Φ18mm	BW 145.0042	145.0042
2	Conical Nozzle Φ15mm 锥形喷管 Φ15mm	BW 145.0076	145.0076
3	Tapered Nozzle Φ11.5mm 尖形喷管 Φ11.5mm	BW 145.0124	145.0124
4	M6x28x0.8 Contact Tip,E-Cu M6x28x0.8 导电嘴,紫铜	BW 140.0051	140.0051
	M6x28x0.9 Contact Tip,E-Cu M6x28x0.9 导电嘴,紫铜	BW 140.0169	140.0169
	M6x28x1.0 Contact Tip,E-Cu M6x28x1.0 导电嘴,紫铜	BW 140.0242	140.0242
	M6x28x1.2 Contact Tip,E-Cu M6x28x1.2 导电嘴,紫铜	BW 140.0379	140.0379
	M6x28x0.8 Contact Tip,CuCrZr M6x28x0.8 导电嘴,铬锆铜	BW 140.0054	140.0054
	M6x28x1.0 Contact Tip,CuCrZr M6x28x1.0 导电嘴,铬锆铜	BW 140.0245	140.0245
	M6x28x1.2 Contact Tip,CuCrZr M6x28x1.2 导电嘴,铬锆铜	BW 140.0382	140.0382
5	Contact Tip Holder 导电嘴座	BW 140.0001	140.0001
6	Nozzle Spring 喷管卡簧	BW 003.0013	003.0013
7	Swan Neck 弯管	BW 004.0012	004.0012





**BLACK WOLF**  
**黑狼**

# MIG/MAG

8	Plastic Nut 塑料固定套	BW 400.0044	400.0044
9	Handle 手把		
10	Switch 开关	BW 185.0031	185.0031
11	Switch Connector Collet 控制线接线夹	BW 175.A022	175.A022
12	Ball Joint Cable Support 球关节电缆支撑		
13	Cable Assembly(25 <sup>2</sup> ), 3M 电缆组(25 <sup>2</sup> ),3米		
	Cable Assembly(25 <sup>2</sup> ), 4M 电缆组(25 <sup>2</sup> ),4米		
	Cable Assembly(25 <sup>2</sup> ), 5M 电缆组(25 <sup>2</sup> ),5米		
14	Cable Support 电缆支撑	BW 400.1010	400.1010
15	Cable Support Machine Side 接头把套	BW 501.2248	501.2248
16	Adaptor Nut 连接螺母	BW 500.0213	500.0213
17	Central Connector KZ-2 中央接头 KZ-2	BW 501.0003	501.0003
18	Nut M10x1 螺母 M10x1	BW 501.0082	501.0082
19	Liner,For wire $\Phi$ 0.8-1.0,3.5M 送丝软管,适用焊丝 $\Phi$ 0.8-1.0,3.5米		
	Liner,For wire $\Phi$ 0.8-1.0,4.5M 送丝软管,适用焊丝 $\Phi$ 0.8-1.0,4.5米		
	Liner,For wire $\Phi$ 0.8-1.0,5.5M 送丝软管,适用焊丝 $\Phi$ 0.8-1.0,5.5米		
20	Spanner 扳手	BW 191.0001	191.0001

## Wear Parts 易损件

Nozzle  
喷管



$\Phi$ A	Order	OEM p/n	Description
$\Phi$ 18	BW 145.0042	145.0042	Cylindrical Nozzle,Wall thickness 2.0 柱形喷管,壁厚2.0
$\Phi$ 15	BW 145.0076	145.0076	Conical Nozzle,Wall thickness 2.0 锥形喷管,壁厚2.0
$\Phi$ 11.5	BW 145.0124	145.0124	Tapered Nozzle,Wall thickness 2.0 尖形喷管,壁厚2.0
$\Phi$ 19			Cylindrical Nozzle,Wall thickness 1.5 柱形喷管,壁厚1.5
$\Phi$ 15			Conical Nozzle,Wall thickness 1.5 锥形喷管,壁厚1.5
$\Phi$ 11.5			Tapered Nozzle,Wall thickness 1.5 尖形喷管,壁厚1.5

Contact Tip  
导电嘴



Order	OEM p/n	Description
BW 140.0051	140.0051	M6x28x0.8 Contact Tip,E-Cu M6x28x0.8 导电嘴,紫铜
BW 140.0169	140.0169	M6x28x0.9 Contact Tip,E-Cu M6x28x0.9 导电嘴,紫铜
BW 140.0242	140.0242	M6x28x1.0 Contact Tip,E-Cu M6x28x1.0 导电嘴,紫铜
BW 140.0379	140.0379	M6x28x1.2 Contact Tip,E-Cu M6x28x1.2 导电嘴,紫铜



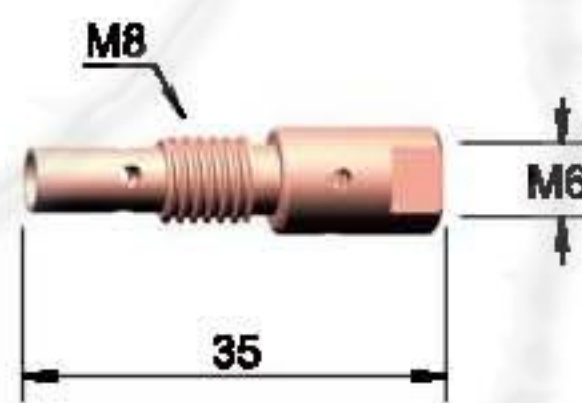
BW 140.0054	140.0054	M6x28x0.8 Contact Tip,CuCrZr M6x28x0.8 导电嘴,铬锆铜
BW 140.0245	140.0245	M6x28x1.0 Contact Tip,CuCrZr M6x28x1.0 导电嘴,铬锆铜
BW 140.0382	140.0382	M6x28x1.2 Contact Tip,CuCrZr M6x28x1.2 导电嘴,铬锆铜

Nozzle Spring  
喷管卡簧



Order	OEM p/n	Description
BW 003.0013	003.0013	Nozzle Spring 喷管卡簧

Contact Tip Holder  
导电嘴座



Order	OEM p/n	Description
BW 142.0001	142.0001	Contact Tip Holder 导电嘴座

Liner  
送丝软管



Order	OEM p/n	Description
		Liner,For wire $\Phi 0.8-1.0,3.5M$ 送丝软管,适用焊丝 $\Phi 0.8-1.0,3.5$ 米
		Liner,For wire $\Phi 0.8-1.0,4.5M$ 送丝软管,适用焊丝 $\Phi 0.8-1.0,4.5$ 米
		Liner,For wire $\Phi 0.8-1.0,5.5M$ 送丝软管,适用焊丝 $\Phi 0.8-1.0,5.5$ 米