

# Data sheet

## Industry IP67 V4 bulkhead

Page 1/6

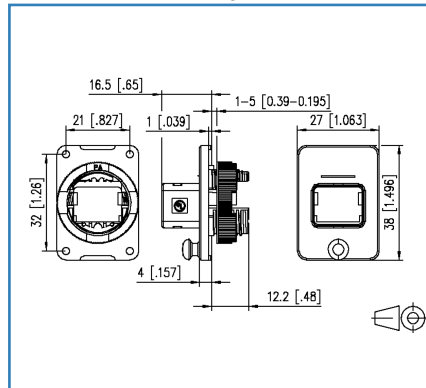
P/N  
1401043302KE  
EAN 4250184114215

2017-19-06

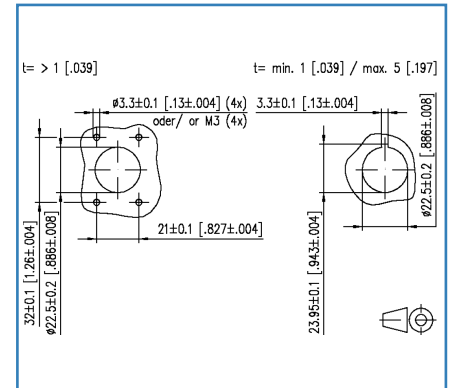
### Illustrations



Dimensional drawing



Cut-out



See enlarged drawings at the end of document



### Product specification

- flange with push-pull-lock acc. to ISO/IEC 24702 and IEC 61076-3-106 var. 4 and acc. to EN 50173-1:2011-09 as well as EN 50173-3:2011-09 standards
- easy to mount due to round wall recesses made with inserts for commercially available punch pliers
- mounting type, central screwing
- alternative mounting with 4 screws (M3), not included in scope of delivery
- mounting on front and back side
- industry-compatible housing with improved durability
- flammability class as per UL 94V-0
- improved resistance to chemical substances
- grounding possible on RJ45 insert using 2.8 mm contact pins
- one version for all flanges
- matching inserts: E-DAT Industry RJ45 field jack insert (T568A, T568B or Profinet), E-DAT Industry RJ45 coupler insert, E-DAT Industry USB coupler insert, OpDAT Industry SC-RJ/2SC coupler insert or OpDAT Industry LC-D coupler insert



## Data sheet Industry IP67 V4 bulkhead

Page 2/6

P/N  
1401043302KE  
EAN 4250184114215

2017-19-06

### Technical Data

#### General Data

Fields of application	Structured building cabling, Harsh environment
Design	Flanged housings
Mounting style	front or back side
Color	black
Dimensions	
Dimension (W x H)	27.00 x 38.00 mm
Dimension (W x H)	1.063 x 1.496 in.
Labeling option	on housing

#### Connections/interfaces

Number of ports interface 2	1
Number of ports interface 2 equipped	0
Protective housing interface 1	V4
Protective housing interface 2	V4
Cable sheath diameter (min. - max.)	
Cable sheath diameter	5.00 - 10.00 mm
Cable sheath diameter	0.197 - 0.394 in.
Module plug-in direction	straight

#### Mechanical characteristics

Locking method (protective housing)	Push Pull
Mounting method	with screws or central nut
Life - Number of mating cycles	750

#### Materials and material properties

Material - Protective housing	PA UL94 V0
Material - Protective housing seal	NBR (nitrile butadiene rubber)
Halogen free	yes

#### Environmental conditions



## Data sheet Industry IP67 V4 bulkhead

Page 3/6

P/N  
1401043302KE  
EAN 4250184114215

2017-19-06

### Technical Data

#### Environmental conditions

Temperature (min. - max.)	
Temperature - Storage °C	-40 - 70 °C
Temperature - Storage °F	-40 - 158 °F
Temperature - Operating °C	-40 - 70 °C
Temperature - Operating °F	-40 - 158 °F
Particulate ingress	IP6X
Liquid ingress/immersion	IPX6 and IPX7
Rapid change of temperature	-40°C / -40°F - +70°C / 158°F / 25 cycles t=30 min
Damp heat	+25°C / +77°F / +65°C / +149°F / 93% RH // -10°C / -14°F 21 cycles
Salt spray fog test (NSS Test)	35 °C / 95 °F / 4 days, 5% NaCL
Increased robustness	yes
Increased chemical resistance	yes

#### Approvals

RoHS	compliant
UL listed (file no.)	 DUXR.E178484 US LISTED

#### The product meets the following standards

Generic cabling systems	
General requirements	DIN EN 50173-1: 2011-09
Industrial area	ISO/IEC 24702   DIN EN 50173-3: 2011-09
Expansion of Communication Circuit Accessories (DUXR) Category	UL 1863
Degrees of Protection Provided by Enclosures	IEC 60529
Connectors for electronic equipment	
Rectangular connectors	DIN EN 61076-3-106

## Data sheet Industry IP67 V4 bulkhead

Page 4/6

P/N  
1401043302KE  
EAN 4250184114215

2017-19-06

### Technical Data

#### Classifications

ETIM 5.0	EC002597
ETIM 6.0	EC002597

#### Packing details

Type of packaging	10 pc(s) / box
Packaging unit - Weight (gram)	166.00 g
Packaging unit - Weight (pound)	0.37 lb
Packaging dimension (W x H x D)	247.00 x 161.00 x 58.00 mm
Packaging dimension (W x H x D)	9.724 x 6.339 x 2.283 in.



**Data sheet**  
**Industry IP67 V4 bulkhead**

Page 5/6

**P/N**  
**1401043302KE**  
**EAN 4250184114215**

2017-19-06

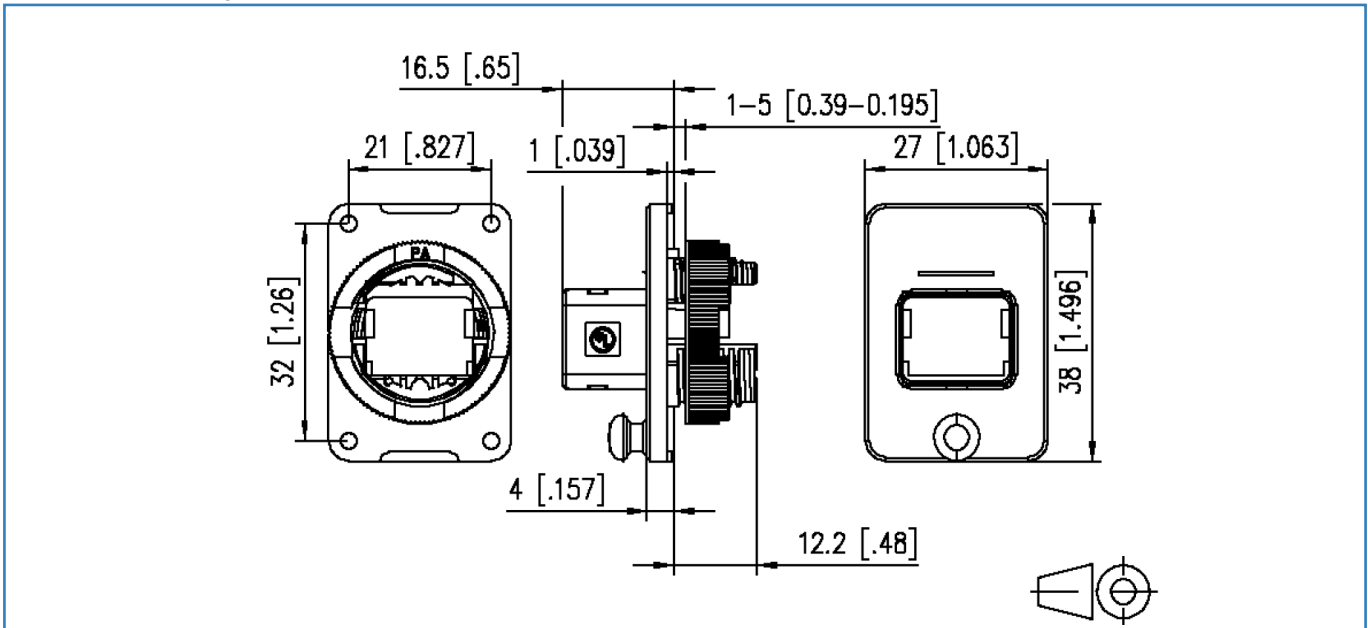
**Accessories**

<b>P/N</b>	<b>Designation</b>
1401100810MI	E-DAT Industry RJ45 field jack insert Cat.6 Class E <sub>A</sub> , T568A
1401200810MI	E-DAT Industry RJ45 coupler insert Cat.6 Class E
1401048102KI	Industry IP67 V4 bulkhead protective cap
1402100820MI	OpDAT Industry SC-RJ/2SC MM adapter insert
1402300820MI	OpDAT Industry LC-D MM adapter insert
140310-E	Screwdriver bulkhead V4
1402K00820MI	OpDAT Industry SC-RJ/2SC SM adapter insert
1402L00820MI	OpDAT Industry LC-D SM adapter insert
1401800810MI	E-DAT Industry RJ45 field jack insert Cat.6 Class E <sub>A</sub> , T568B
1401900810MI	E-DAT Industry RJ45 field jack insert Cat.6 Class E <sub>A</sub> , PROFINET
1401U00812KI	E-DAT Industry USB A 2.0 adapter insert



Illustrations

Dimensional drawing



Cut-out

