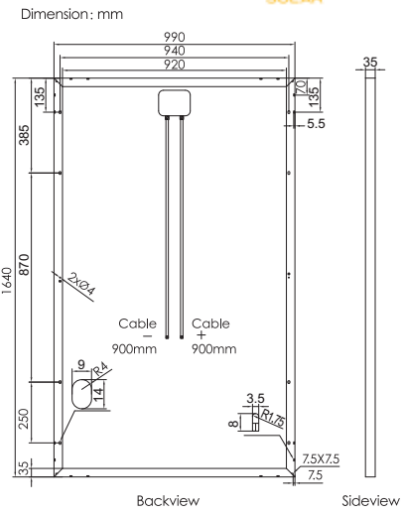
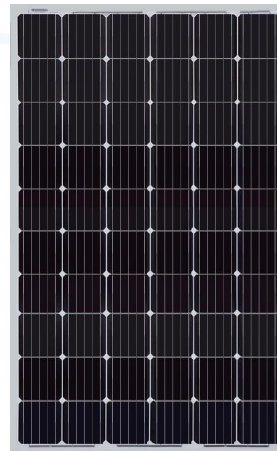


Mono Poly

LP156*156-M-60

Rated Power 290-310W



Product Series	LP156*156-M-60				
Power	290W	295W	300W	305W	310W
Open Circuit Voltage	39.10V	39.65V	39.85V	40.05V	40.25V
Short Circuit Current	9.63A	9.65A	9.74A	9.85A	9.94A
Maximum Power Voltage	32.00V	32.05V	32.28V	32.51V	32.74V
Maximum Power Current	9.06A	9.20A	9.29A	9.38A	9.47A
Module Efficiency	17.9%	18.2%	18.5%	18.8%	19.1%

Product Characteristics			
Weight	18kg	Junction Box	IP67
Module Size	1640*990*35mm	Frame	Aluminum Alloy
Cell Amount	60 pcs	Cable	4mm ² , Length 900mm
Cell Size	156.75*156.75mm	Connection	(Compatible with) MC4
Maximum System Voltage	1000/1500V	Application Level	Class A

Packing Configuration			
Modules/Pallet	30 pieces	Modules/40' container	840 pieces
Packing Description	28 Pallets, Total=30 X 28=840		

Temperature Characteristics		Maximum Rating	
NOCT	45±2°C	Output Tolerance	0~+3%W
Temp Coefficient of ISC	+0.06%/°C	Operating Temperature	-40°C ~+85°C
Temp Coefficient of VOC	-0.30%/°C	Wind Load/Snow Load	2400pa/5400pa
Temp Coefficient of Pmax	-0.40%/°C	Fuse Current	15A



•10-YEAR 90% Maximum Output
•25-YEAR 80% Maximum Output

- J-PEC Product
- Salt Spray Certificate
- IEC61701 (Salt Mist Corrosion Test)
- TUV PID Certificate
- TUV Certificate

• Output 290W-310W

