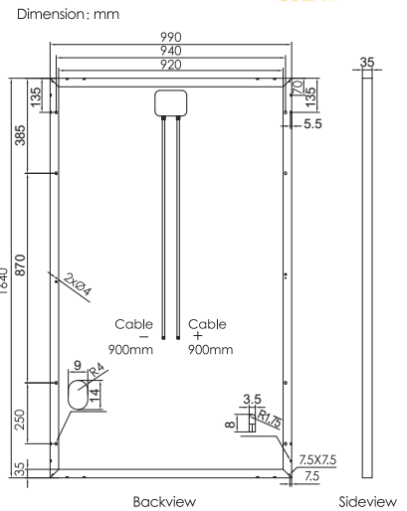


Mono **Poly**

LP156*156-P-60

Rated Power 275-285W



| Product Series | LP156*156-P-60 | | |
|-----------------------|----------------|--------|--------|
| Power | 275W | 280W | 285W |
| Open Circuit Voltage | 38.42V | 38.62V | 38.82V |
| Short Circuit Current | 9.25A | 9.34A | 9.43A |
| Maximum Power Voltage | 31.35V | 31.55V | 31.75V |
| Maximum Power Current | 8.77A | 8.87A | 8.98A |
| Module Efficiency | 16.9% | 17.2% | 17.4% |

| Product Characteristics | | | |
|-------------------------|-----------------|-------------------|---------------------------------|
| Weight | 18.0kg | Junction Box | IP67 |
| Module Size | 1640*990*35mm | Frame | Aluminum Alloy |
| Cell Amount | 60 pcs | Cable | 4mm ² , Length 900mm |
| Cell Size | 156.75*156.75mm | Connection | (Compatible with) MC4 |
| Maximum System Voltage | 1000/1500V | Application Level | Class A |

| Packing Configuration | | | |
|-----------------------|-------------------------------|-----------------------|-----------|
| Modules/Pallet | 30 pieces | Modules/40' container | 840pieces |
| Packing Description | 28 Pallets, Total=30 X 28=840 | | |

| Temperature Characteristics | | Maximum Rating | |
|-----------------------------|-----------|-----------------------|---------------|
| NOCT | 45±2°C | Output Tolerance | 0~+3%W |
| Temp Coefficient of ISC | +0.06%/°C | Operating Temperature | -40°C~+85°C |
| Temp Coefficient of VOC | -0.30%/°C | Wind Load/Snow Load | 2400pa/5400pa |
| Temp Coefficient of Pmax | -0.40%/°C | Fuse Current | 15A |



•10-YEAR 90% Maximum Output
•25-YEAR 80% Maximum Output

