

C-more Micro 3-inch EA1 Panel Accessories

Serial Port with DC Power Adapter

The **C-more** Micro 3-inch EA1 series panel is designed to use the 5 VDC power that is available from an RJ12 serial communications port of some **AutomationDirect** PLC's. However, for other devices that do not supply power through their serial communications port, the [EA-MG-P1](#) DC power adapter or [EA-MG-SP1](#) serial port with DC power adapter must be used. The EA-MG-SP1, with D-Sub 15-pin RS-232/RS-422/485 serial port, can be

used to connect to a PLC using RS-232 or RS-422/485. The adapter requires power from a Class 2, 12-24 VDC source. This optional Serial Port with DC Power Adapter for **C-more** Micro 3-inch EA1 series is designed to easily snap on to the rear of a **C-more** Micro 3-inch EA1 series panel or the rear of an optional Keypad Bezel being used with a **C-more** Micro 3-inch EA1 series panel.

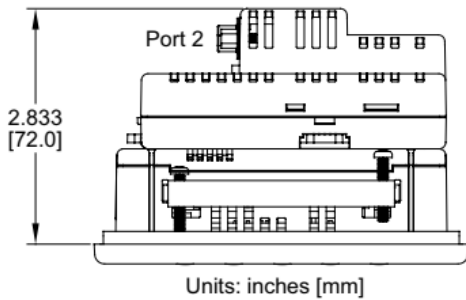
Part No. [EA-MG-SP1](#)



Supports:
RS-232,
RS-485,
& RS-422

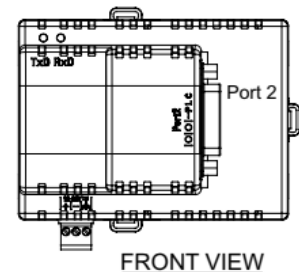
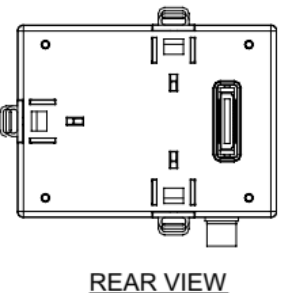
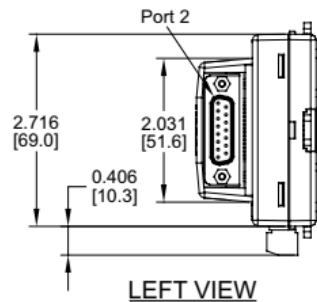
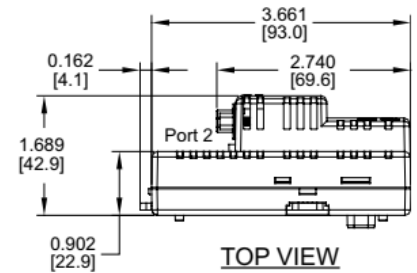
\$54.00

Panel overall depth
with adapter installed



Dimensions

Units: inches [mm]



Serial Port w/ DC Power Adapter Specifications	
Part Number	EA-MG-SP1
Serial PLC Interface	
• Interface Standard	RS-232 & RS-485/422
• Adjustable Settings from Software (Dependent on PLC Protocol)	Baud rate: 9600, 19200 or 38400 bits/sec Data bits: 7/8 bits Parity: None, Odd/Even Stop bits: 2/1 bits
• Connector Type	15-pin D-sub connector (female)
Electrical	
• Input Voltage	12-24 VDC
• Input Voltage Range	10.8-26.4 VDC
• Power Consumption	100 mA @ 24 VDC
• Maximum Power	2.90 Watts
• Maximum Inrush Current	5 A @ 500 μs with 12 VDC applied, 10 A @ 500 μs with 24 VDC applied
• Recommended Fuse	Type AGC fast acting glass fuse, 750 mA, 250 VAC, ADC # AGC-75
• Connector Type	3-pin screw type terminal block
Physical	
• Weight	2.8 oz. [80 g]
• Environmental	See environmental specifications at the beginning of this catalog section.



NOTE: Recommended DC power supply to power either DC Power Adapter, [AutomationDirect](#) Part No. [PSC-24-015](#) or [PSC-24-030](#).

PLC Serial Communications Port 2

Pin	Signal	Pin	Signal	Pin	Signal
1	Frame GND	6	LE	11	TXD+ (422/485)
2	TXD (232C)	7	CTS (232C)	12	TXD- (422/485)
3	RXD (232C)	8	RTS (232C)	13	Term. Resistor
4	Supplies +5VDC	9	RXD+ (422/485)	14	do not use
5	Logic GND	10	RXD- (422/485)	15	do not use

