

# VISUAL LEVEL INDICATORS



## LV...

The level indicators series is available for both static and mobile applications; the construction materials used make it possible to guarantee service with wide temperature variations and compatibility with all hydraulic fluids. Series LV... level indicators are available with fixing centre distance from 76 to 1000 mm.

## LVK

This level indicator series is available with electric alarm and visual and electrical temperature switches, level indicators are available with fixing centre distance from 76 to 254 mm.

## LC...

LC... series sight plugs allow visibility of the fluid contained in the reservoirs, showing the level and also any changes in transparency and emulsion.

These indicators are available in three configurations, with transparent plastic body and with black body, and an aluminium body version. Fixing to reservoirs with unthreaded holes or reduced thickness can be achieved using series LCC/T equipped with expansion kit.

### Temperature

- LVA: from  $-25^{\circ}\text{C}$  to  $+100^{\circ}\text{C}$
- LVU: from  $-25^{\circ}\text{C}$  to  $+70^{\circ}\text{C}$
- LVU: from  $-25^{\circ}\text{C}$  to  $+100^{\circ}\text{C}$  (only with pyrex lens)
- LVK/LC...: from  $-20^{\circ}\text{C}$  to  $+80^{\circ}\text{C}$

### Compatibility

#### LVA/LVK/LVU

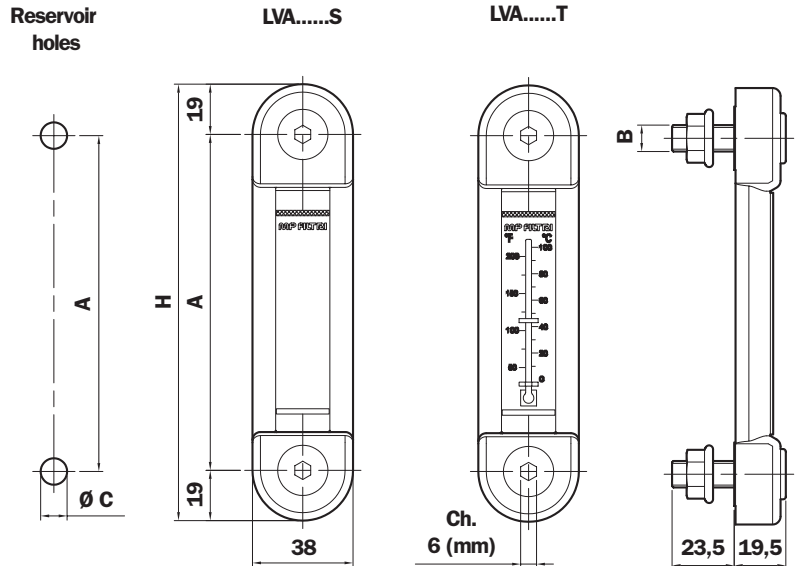
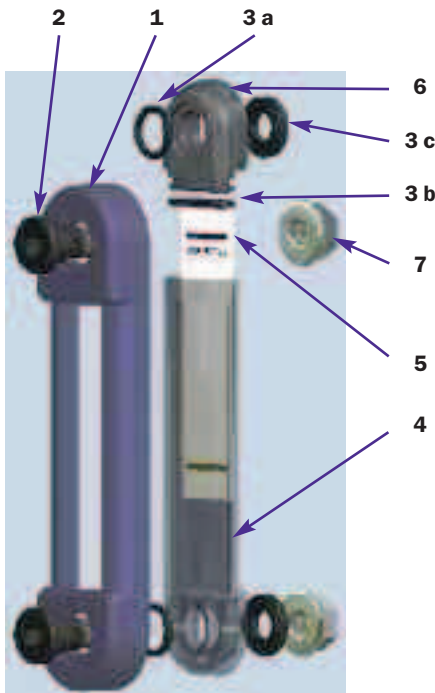
- NBR seals and Cork Gasket, compatible with:  
Mineral oils to ISO 2943 - aqueous emulsions  
Synthetic fluids, glycol water.
- FPM seals, compatible with:  
Synthetic fluids type HS-HFDR-HFDS-HFDU.

#### LC...

- Mineral oils to ISO 2943 - aqueous emulsions  
Synthetic fluids, glycol water.

# Series LVA

## Dimensions



### LVA (Materials)

- 1 - Cover: Polyamide
- 2 - Screws: Galvanised Steel
- 3 - Seals: NBR  
FPM
- 4 - Lens: Polyamide
- 5 - Nameplate: Painted Aluminium
- 6 - Terminal cap: Nylon
- 7 - Nuts: Galvanised Steel

### Weight

- LVA10: 0,13 Kg
- LVA20: 0,18 Kg
- LVA30: 0,23 Kg

### Quantity per pack Number of Parts

LVA	10
-----	----

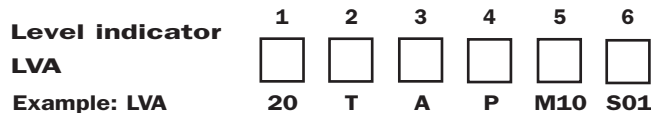
Size	A	H
LVA10	76	114
LVA20	127	165
LVA30	254	292

Screw tightening torque: 15Nm

Type	B	C
LVA.....M10	M10	10,5
LVA.....M12	M12	12,5
LVA.....U38	3/8" UNC	10
LVA.....U12	1/2" UNC	13,5

## Ordering information

### LVA20T.....S01



#### 1 - Size

- 10
- 20
- 30

#### 2 - Accessories

- S Without thermometer
- T With thermometer

#### 3 - Seal

- A NBR
- V FPM

#### 4 - Cover

- P Cover Polyamide

#### 5 - Connection

- M10 Screws M10
- M12 Screws M12
- U38 Screws 3/8" UNC
- U12 Screws 1/2" UNC

#### 6 - Options

- S01 With nuts - Tag MP Filtri
- S02 Without nuts - Tag MP Filtri

# Series LVK

## Description

Visual/electric level indicator with temperature controls for both static and mobile applications.

Completely transparent, it provides a view of the fluid over the entire length, both from the front and on both sides.

The quality and thickness, 4 millimetres, of the construction material provides the utmost dependability and mechanical strength without any need for additional protection.

## LVK (Materials)

**1** - Body: Polyamide

**2** - Screws: Nickel Plated Brass (Standard)  
AISI 316 (Option)

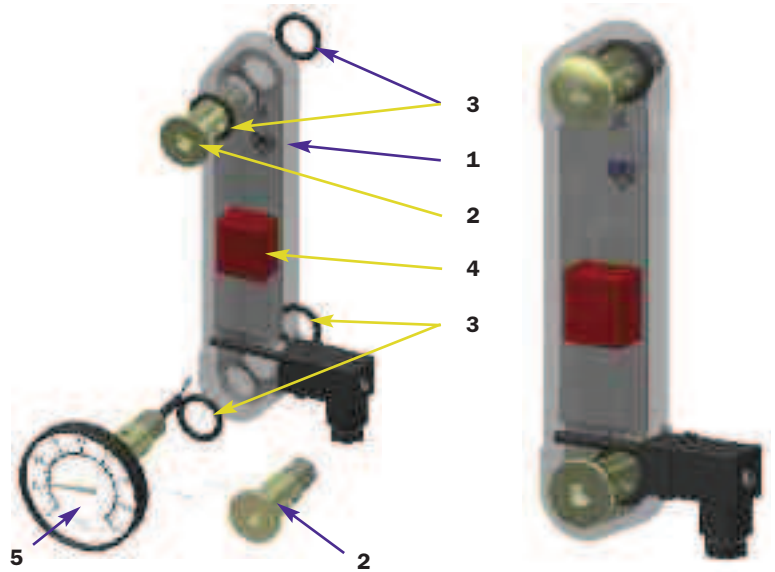
**3** - Seals: NBR (Standard)  
FPM (Option)

**4** - Float: Polyamide

**5** - Sensor thermometer: Screw + thermometer

**Temperatures:** from -20 °C to +80 °C

**Screw tightening torque:** 10Nm

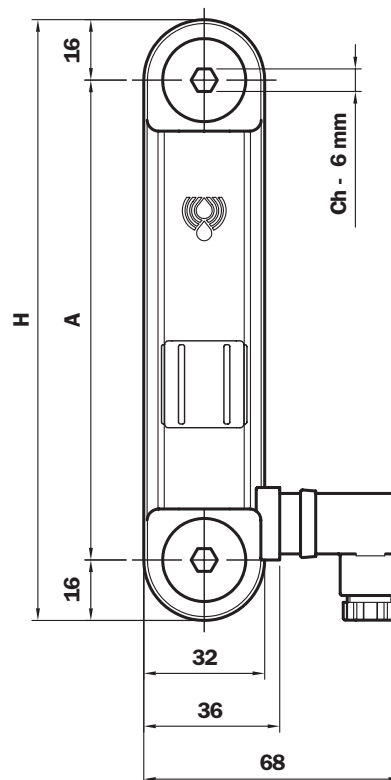
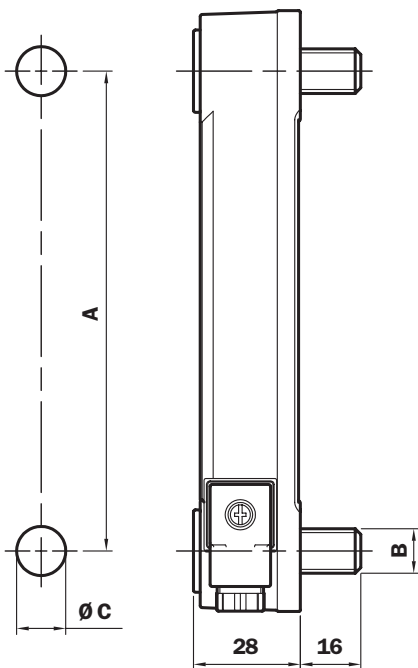


## Compatibility

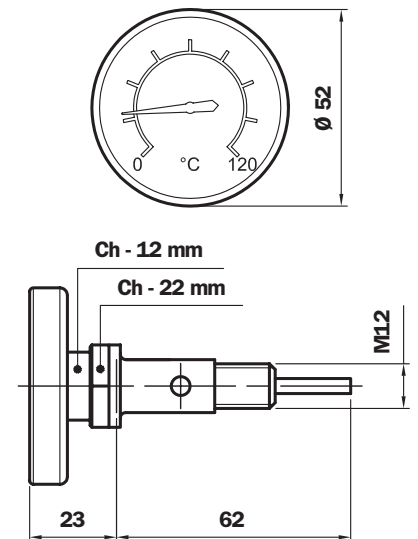
- NBR seals, compatible with:  
Mineral oils to ISO 2943 - aqueous emulsions  
Synthetic fluids, glycol water.
- FPM seals, compatible with:  
Synthetic fluids type HS-HFDR-HFDS-HFDU.

# Dimensions

Reservoir holes



Sensor thermometer



## Weight

LVK10: 0,14 Kg

LVK20: 0,17 Kg

LVK30: 0,25 Kg

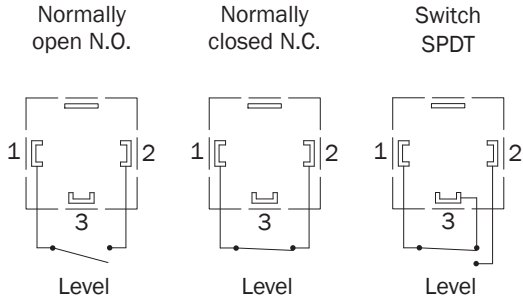
Size	A	H	Type	B	C
<b>LVK10</b>	76	108	<b>LVK.....M10</b>	M10	10,5
<b>LVK20</b>	127	159	<b>LVK.....M12</b>	M12	12,5
<b>LVK30</b>	254	286			

## Weight (Kg)

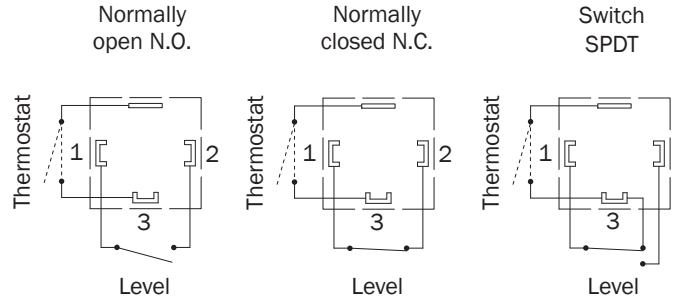
TV12	0,100	Kit Sensor thermometer + Screw M12

## Combination of available electrical contacts

### Electrical contact with no liquid

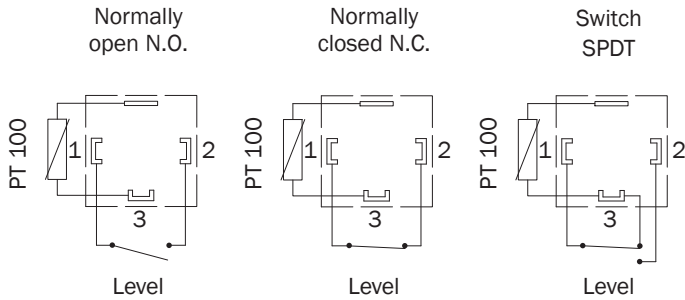


### Electrical contact with no liquid + thermostat

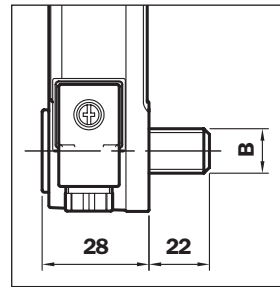


Available thermostated contact N.C. - N.O. in both setups

### Electrical contact with no liquid + PT 100



### Dimension screw + electrical contact + thermostated or PT 100



### Thermostat electrical specifications

Voltage: 250 V Switchable  
 Frequency: 50 Hz  
 Load values: 4.0 A.  $\cos \varphi$  0.6 (IMOT)  
 6,3 A.  $\cos \varphi$  1 (IN)  
 Max load: 10 A.  $\cos \varphi$  1  
 Switching temperature: 50°C - 60°C - 70°C  
 Tolerances:  $\pm 5^\circ\text{C}$

### Electrical specifications

Contact with no liquid

	N.O. N.C.	Switch
D.C. Switchable Power	40 W	20 W
D.C. current intensity - A.C.	40 V.A.	-
Switchable voltage.	2 A	1 A
Voltage switchable	230 V	150 V

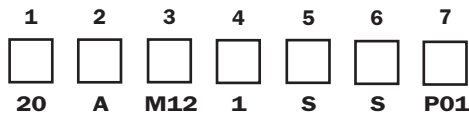
Protection degree: IP65

## Ordering information

### Level indicator

#### LVK

Example: LVK



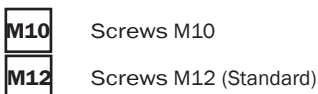
#### 1 - Size



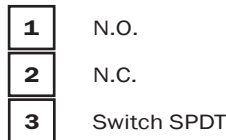
#### 2 - Seal



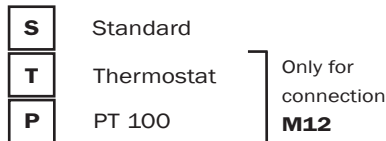
#### 3 - Connection



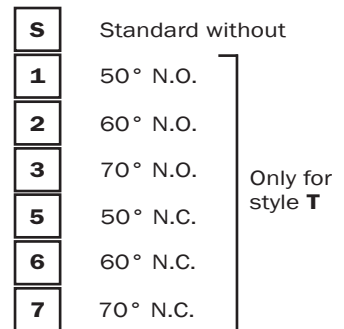
#### 4 - Electrical contacts with no liquid



#### 5 - Style



#### 6 - Thermostat



#### 8 - Options

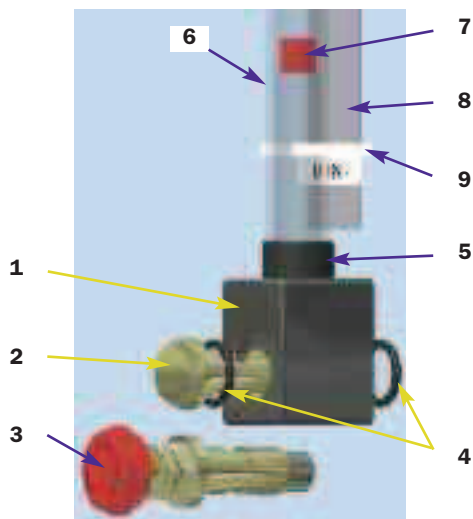


### Accessories/Options\*

<b>TV12</b>	Kit w/ Sensor thermometer Screw M12	<b>M12 X</b>	Kit w/ Screws M12 stainless steel AISI 316
<b>M10 X</b>	Kit w/ Screws M10 stainless steel AISI 316	<b>02050432</b>	Kit w/ FPM seals

\* All the accessories are supplied separately from code LVK

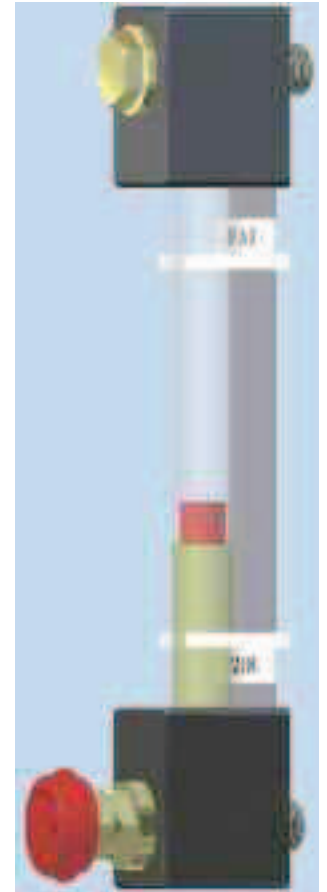
# Series LVU



## LVU (Materials)

- 1 - Head: Nylon
- 2 - Connection G 3/8": Nickel Plated Brass
- 3 - G 3/8" valve: Steel
- 4 - Seal: NBR
- 5 - Pipe Seal: NBR
- 6 - Pipe: Acrylic  
Pyrex
- 7 - Float: Nylon
- 8 - Protection: Aluminium
- 9 - Clamps MIN - MAX: Nylon

Weight	Vesion U	Vesion S
LVU 0500	0,780 kg	0,580 kg
LVU 1000	1,150 kg	0,790 kg
LVU 1500	1,550 kg	1,100 kg
LVU 2000	1,950 kg	1,400 kg



**Open the valve completely.**

**Allows the oil to flow from the reservoir to the level tube.**

**ATTENTION** - The intermediate valve opening or closing position allows the oil to flow from the reservoir to the exterior.

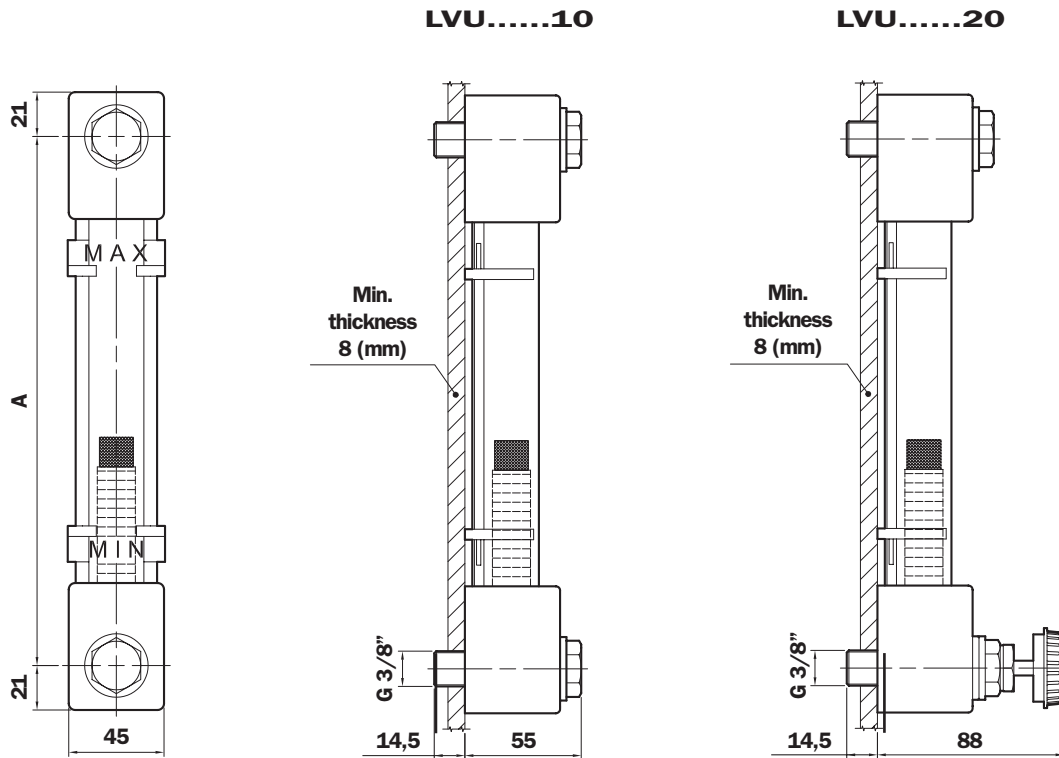


**Close the valve fully.**

**Stops the oil flow from the reservoir to the level tube.**

**Allows the oil to be discharged from the level tube to an external container.**

# Dimensions



## Spare parts LVU

Item.	Description	Q.ty	LVU
1	Seals kit	1	02050130
4	O-Ring	4	OR 4181 Ø 20,22 x 3,53
2	Fixing element kit series 10	1	02049014
2	G 3/8" connection	2	
3	Fixing element kit series 20	1	02049015
2	G 3/8" connection	1	
3	G 3/8" bibcock	1	

Size	A (mm)
0500	500
1000	1000
1500	1500
2000	2000

# Ordering information

**Level indicator**  
**LVU**  
**Example: LVU**      1      2      3      4      5  
                                  0500   U      A      10      P01

### 1 - Size

0500	Dimension "A" in mm
1000	Dimension "A" in mm
1500	Dimension "A" in mm
2000	Max. dimension "A" in mm
xxxx	Dimension "A" in mm (on request)

### 2 - Variants

S	Standard
U	"U" protection
P	"U" protection + Pyrex lens (max size 1500)

### 3 - Seal

A	NBR
---	-----

### 4 - Connection

10	2 G 3/8" connections
20	1 G 3/8" connection + 1 valve

### 5 - Options

P01	MP Filtri standard
-----	--------------------

# Series LCP\*\*\*M



**LCP\*\*\*M\*\* (Materials)**

- 1** - Body: Aluminium
- 2** - Lens: Thermoplastic
- 3** - Contrast screen: Nylon
- 4** - Seal: Inorganic fibre

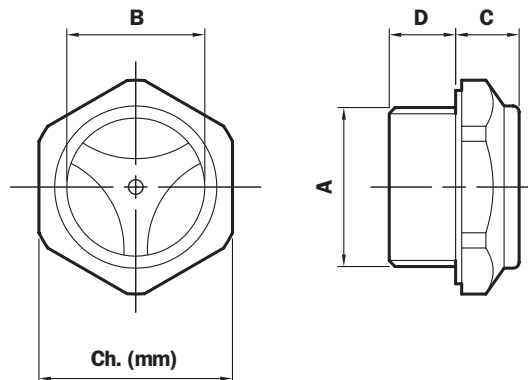
**Quantity per pack  
Number of Parts**

**LCP/M** 25

**Spare parts**

Size	Seal
	Inorg. fibre
G20	1.026.902
G26	1.026.903
G33	1.026.905

## Dimensions



Size	A	B	C	Ch. (mm)	D
G20	G 1/2"	16	9	27	10
G26	G 3/4"	20	10	32	12
G33	G 1"	25	11	40	14

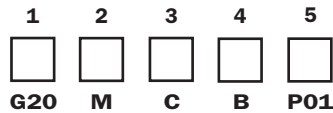
**N.B.** Seals thickness 2 mm.  
Recommended tightening torque 10÷15 Nm.

## Ordering information

**Level indicator**

**LCP\*\*\*M**

Example: LCP



**1 - Size**

- G20 G 1/2"
- G26 G 3/4"
- G33 G 1"

**3 - Accessories**

- C Baffle

**2 - Material**

- M Metal (Aluminium)

**5 - Options**

- P01 MP Filtri standard

---

---

---

---

---

---

---

---

---

---

# Series LCP\*\*\*N

## Dimensions

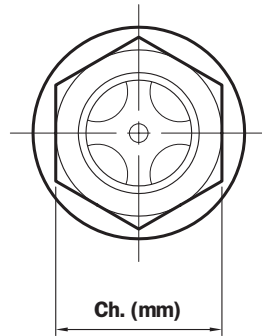


Standard view

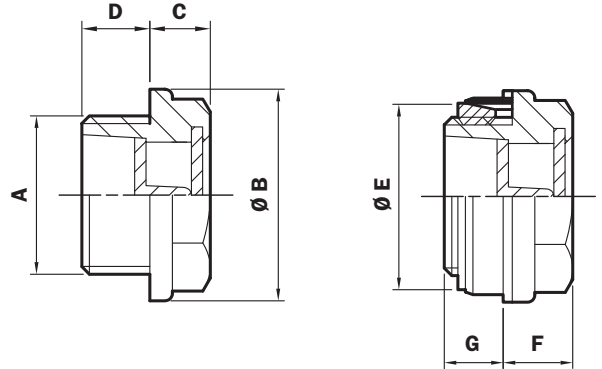


With view contrast and Expansion kit

LCP\*\*\*N\*\*\*S



LCP\*\*\*N\*\*\*K



Size	A	Ø B	C	Ch. (mm)	D	Ø E	F	G
G13	G 1/4"	20	7	17	9	-	-	-
G16	G 3/8"	22	8	18	9	19,5	9,2	7,8
G20	G 1/2"	28	8	22	9	25,5	9,2	7,8
G26	G 3/4"	35	9	27	10	29,5	10,5	8,5
G33	G 1"	42	11,5	34	12,5	39	13	11
G42	G 1 1/4"	52	12	42	13	49	13,5	11,5
G48	G 1 1/2"	58	14	47	13	54	15,5	11,5
G60	G 2"	74	14	64	20	-	-	-

### LCP\*\*\*N\*\*\*\*\* (Materials)

- 1 - Body: Nylon
- 2 - Lens: Thermoplastic
- 3 - Contrast screen: Nylon
- 4 - Seals: NBR  
Inorganic fibre
- 5 - Expansion kit: Brass - NBR

Quantity per pack  
Number of Parts

LCP/N 25

N.B. Recommended tightening torque 10 Nm.

### Ø hole for Expansion kit

Size	Diameter
G16	Ø 20
G20	Ø 26
G26	Ø 30
G33	Ø 40
G42	Ø 50
G48	Ø 55

### Spare parts

Size	Expansion Kit
-	-
G16	2026020
G20	2026021
G26	2026019
G33	2026023
G42	2026025
G48	2026026
-	-

## Ordering information

### Level indicator

LCP\*\*\*N

Example: LCP

1	2	3	4	5	6
<input type="checkbox"/>	<input type="checkbox"/>	<input type="checkbox"/>	<input type="checkbox"/>	<input type="checkbox"/>	<input type="checkbox"/>
G20	N	C	A	K	P01

### 1 - Size

G13	G 1/4"
G16	G 3/8"
G20	G 1/2"
G26	G 3/4"
G33	G 1"
G42	G 1 1/4"
G48	G 1 1/2"
G60	G 2"

### 2 - Material

N Black nylon

### 3 - Accessories

S Standard view

C Baffle (for except G13)

### 4 - Seal

A NBR (only K)

B Inorganic fibre

### 5 - Expansion kit

S Without

K Expansion kit (for except G13)

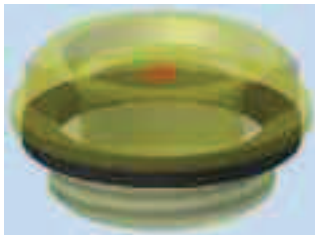
### 6 - Options

P01 MP Filtri standard

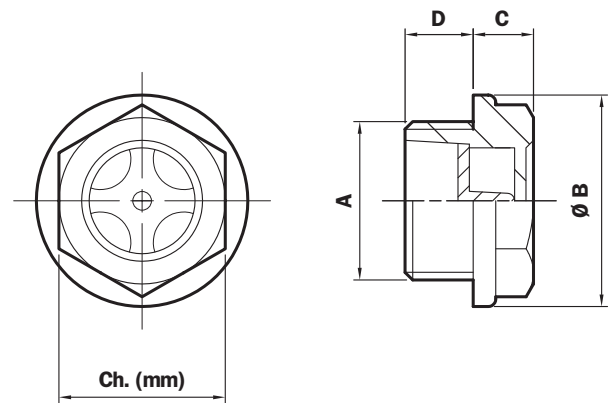


# Series LCP\*\*\*T

## Dimensions



LCP\*\*\*T\*\*



### LCP\*\*\*T\*\* (Materials)

- 1 - Body: Polyamide
- 2 - Contrast screen: Nylon
- 3 - Seal: NBR

### Quantity per pack Number of Parts

LCP/T 25

Size	A	Ø B	C	Ch. (mm)	D
G13	G 1/4"	19	4,5	15	7
G16	G 3/8"	21,7	5	17	7,5
G20	G 1/2"	27	5,5	21	8
G26	G 3/4"	32,8	6	26	9
G33	G 1"	39,8	6,5	32	10
G42	G 1 1/4"	52	12	42	13

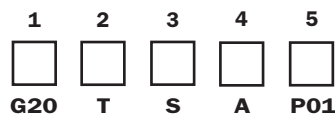
**N.B.** Seals thickness 2 mm.  
Recommended tightening torque 10 Nm.

## Ordering information

### Level indicator

LCP\*\*\*T

Example: LCP



### 1 - Size

G13	G 1/4"
G16	G 3/8"
G20	G 1/2"
G26	G 3/4"
G33	G 1"
G42	G 1 1/4"

### 3 - Accessories

S	Without baffie
C	Baffie (G26-G33-G42 only)

### 4 - Seal

A	Fibre inorganique
---	-------------------

### 5 - Options

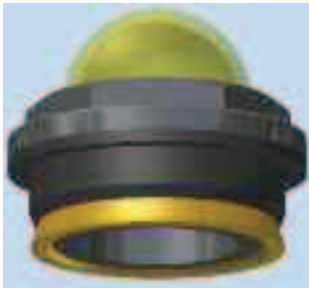
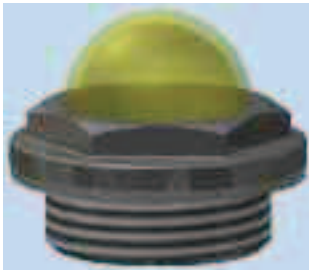
P01	MP Filtri standard
-----	--------------------

### 2 - Material

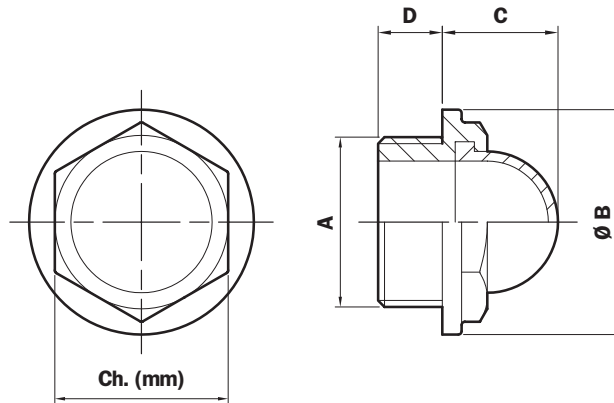
T	Polyamide
---	-----------

# Series LCC\*\*\*N

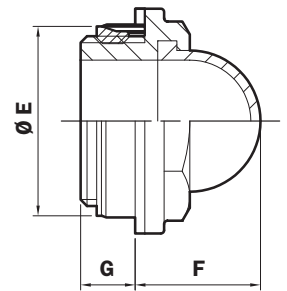
## Dimensions



LCC\*\*\*N\*\*\*S



LCC\*\*\*N\*\*\*K



### LCC\*\*\*N\*\*\*\*\* (Materials)

- 1 - Body: Nylon
- 2 - Lens: Polyamide
- 3 - Contrast screen: Nylon
- 4 - Seals: NBR  
Inorganic fibre
- 5 - Expansion kit: Brass - NBR

### Quantity per pack Number of Parts

LCC/N 25

Size	A	Ø B	C	Ch. (mm)	D	Ø E	F	G
G20	G 1/2"	28	15,5	22	9,5	25,5	16,5	8,3
G26	G 3/4"	35	18	27	10	29,5	19,5	8,5
G33	G 1"	42	22	34	12	39	23,5	10,5
G42	G 1 1/4"	52	28	44	13	49	29,5	11,5
G48	G 1 1/2"	58	31	50	13,5	54	32,5	12
G60	G 2"	74	37	64	20	-	-	-

N.B. Seals thickness 2 mm.  
Recommended tightening torque 10 Nm.

### Ø hole for Expansion kit

Size	Diamètre
G20	Ø 26
G26	Ø 30
G33	Ø 40
G42	Ø 50
G48	Ø 55

### Spare parts

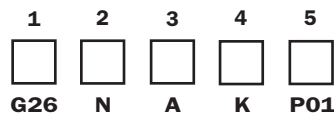
Size	Expansion Kit
G20	G20
G26	G26
G33	G33
G42	G42
G48	G48
-	-

## Ordering information

### Level indicator

LCC\*\*\*N

Example: LCC



### 1 - Size

G20	G 1/2"
G26	G 3/4"
G33	G 1"
G42	G 1 1/4"
G48	G 1 1/2"
G60	G 2"

### 2 - Material

N Black nylon

### 3 - Seal

A NBR (K only)

B Inorganic fibre

### 4 - Expansion kit

S Without

K Expansion kit

### 5 - Options

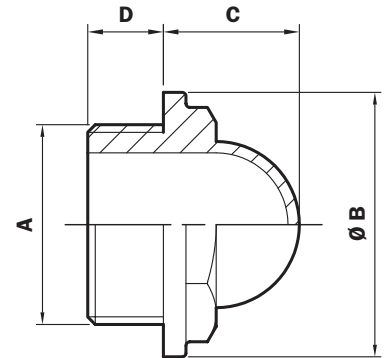
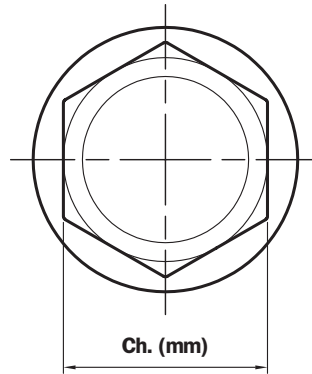
P01 MP Filtri standard

# Series LCC\*\*\*T

## Dimensions



LCC\*\*\*T\*\*



### LCC\*\*\*T\*\* (Materials)

1 - Body: Polyamide

2 - Seal: NBR

### Quantity per pack

Number of Parts

LCC/T 25

Size	A	Ø B	C	Ch. (mm)	D
G13	G 1/4"	19	10,5	15	7
G16	G 3/8"	21,7	12	17	7,5
G20	G 1/2"	27	14,5	21	8
G26	G 3/4"	32,8	17	26	9
G33	G 1"	39,8	20,5	32	10

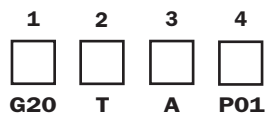
N.B. Seals thickness 2 mm.  
Recommended tightening torque 10 Nm.

## Ordering information

### Level indicator

LCC\*\*\*T

Example: LCC



### 1 - Size

G13	G 1/4"
G16	G 3/8"
G20	G 1/2"
G26	G 3/4"
G33	G 1"

### 3 - Seal

A NBR

### 4 - Options

P01 MP Filtri standard

### 2 - Material

T Polyamide

