

Series TAP 114

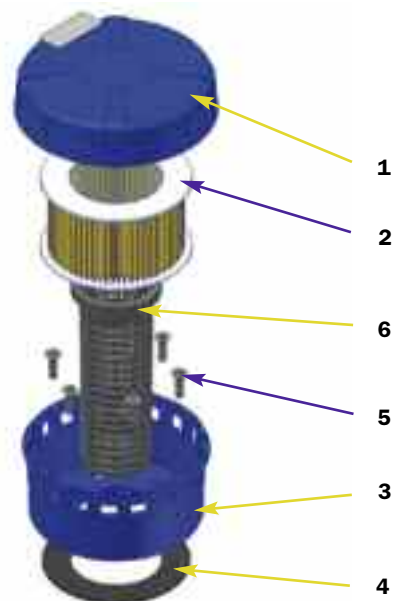
Nylon oil filler and air breather filler caps



**Example
TAP114
Length 1**



**Example
TAP114
Length 2**

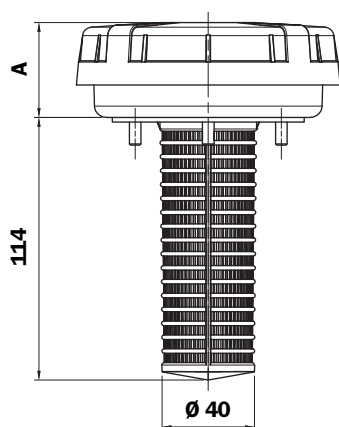


TAP114 (Materials)

- 1 - Cover: Nylon
- 2 - Filter element: Impregnated paper
- 3 - Flange: Nylon
- 4 - Seal: NBR
- 5 - Screws: Galvanised Steel
- 6 - Basket: Nylon

Dimensions

TAP 114



Length	A
1	41
2	56
3	68

Flow rates with Δp : 0,02 bar

Length 1

Filtration	l/min
10 μm	1450

Length 2

Filtration	l/min
10 μm	1600

Weight

TAP 114 1: 0,185 Kg
TAP 114 2: 0,200 Kg

**Reservoir
holes**

